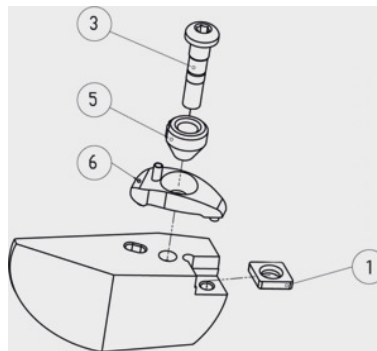


SWISS TOOLS

Clamp No. 6, Type: D07**Order data**

Order number	320614 D07
GTIN	2050001714596
Item class	36D

Description**Suitable for :**

Turning toolholders and boring bars No. 320005 - No. 320406.

Type = manufacturer's designation.**Technical description**