

8796 SC Zyklop "flexible-lock" extension with free-turning sleeve, short, 1/2", 1/2"
x 125 mm
Zyklop Accessories, 1/2"



EAN:	4013288121455	Size:	192x44x24 mm
Part number:	05003642001	Weight:	218 g
Article number:	8796 SC	Country of origin:	CZ
		Customs tariff number:	82042000

- 1/2" Zyklop "flexible-lock" extension with free-turning sleeve, short
- For 1/2" square sockets with ball lock
- Flexible lock system for either locking or rapid exchange of the attached tool
- With free-turning sleeve for rapid tightening and loosening of screws and nuts
- Chrome vanadium steel, matt chrome-plated

Wera Zyklop extension with flexible-lock: when activated the sockets are secured and permanently fixed, any unintentional loss being avoided. When the system is deactivated, the sockets can be quickly attached and exchanged. Equipped with a free-turning sleeve for faster turning of screws and nuts.

Web link

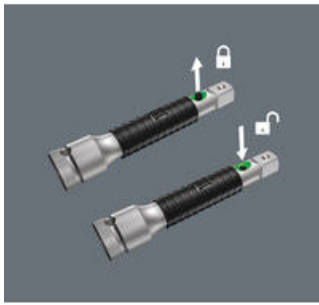
https://products.wera.de/en/ratchets_and_accessories_the_zyklop_ratchets_the_zyklop_ratchets_1_2_zyklop_accessories_1_2_8796_sc.html

Wera - 8796 SC
05003642001 - 4013288121455

Wera Werkzeuge GmbH
Korzter Straße 21-25
D-42349 Wuppertal
Tel: +49 (0)2 02 / 40 45-0
E-Mail: info@wera.de

Flexible-lock-system

Free-turning sleeve



The extensions from the premium lines are also equipped with the unique "flexible-lock-system". By activating this system, attachments can be fixed to the extension permanently - preventing slipping and any unintentional loss of the attachment. When the system is deactivated, the sockets can be attached as usual and changed in a flash.

The free-turning sleeve on the Zyklop Speed and the Zyklop extension effectively accelerates the turning of screws and nuts.

Further versions in this product family:



inch



mm

05003642001	1/2"	125.0
-------------	------	-------

Web link

https://products.wera.de/en/ratchets_and_accessories_the_zyklop_ratchets_the_zyklop_ratchets_1_2_zyklop_accessories_1_2_8796_sc.html

Wera - 8796 SC
 05003642001 - 4013288121455

Wera Werkzeuge GmbH
 Korzeter Straße 21-25
 D-42349 Wuppertal
 Tel: +49 (0)2 02 / 40 45-0
 E-Mail: info@wera.de