

## 7772 A Ratchet insert, reversible, 9x12 mm, 9x12 x 1/4" x 49 mm

Insert tools with ratchet functionality



<b>EAN:</b>	4013288196347	<b>Size:</b>	122x83x25 mm
<b>Part number:</b>	05078635001	<b>Weight:</b>	84 g
<b>Article number:</b>	7772 A	<b>Country of origin:</b>	TW
		<b>Customs tariff number:</b>	82079099

- For torque wrenches of the Click-Torque X series with 9x12 mm holder
- For 1/4" square socket wrench inserts and 1/4" connecting parts with square drive
- Fine toothing with 72 teeth
- Easy switching by knob
- Socket lock by push button

Ratchet insert, reversible, for 1/4" square socket wrench inserts and 1/4" connecting parts with square drive; for torque wrenches of the Click-Torque X series with 9x12 mm holder.

### Web link

[https://products.wera.de/en/torque\\_tools\\_series\\_click-torque\\_wrenches\\_series\\_insert\\_tools\\_insert\\_tools\\_with\\_ratchet\\_functionality\\_7772\\_a.html](https://products.wera.de/en/torque_tools_series_click-torque_wrenches_series_insert_tools_insert_tools_with_ratchet_functionality_7772_a.html)

Wera - 7772 A  
05078635001 - 4013288196347

Wera Werkzeuge GmbH  
Korzenter Straße 21-25  
D-42349 Wuppertal  
Tel: +49 (0)2 02 / 40 45-0  
E-Mail: [info@wera.de](mailto:info@wera.de)

Insert tools with ratchet functionality

Drive 9x12 mm

Small return angle

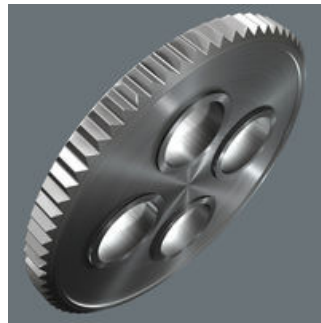
1/4" external square

Easy switching

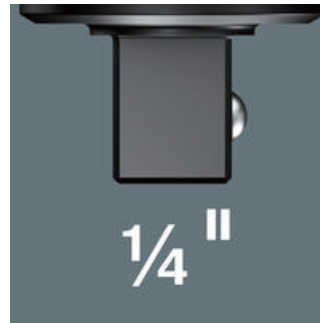


9x12 mm

For torque wrenches of the Click-Torque X series with 9x12 mm holder.

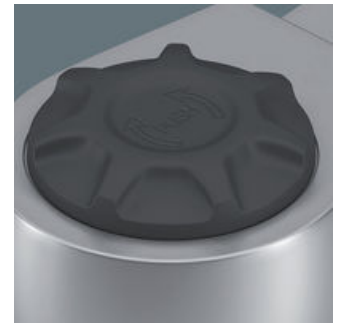


Fine-pitched with 72 teeth for a return angle of only 5°



1/4"

For 1/4" square socket wrench inserts and 1/4" connecting parts with square drive.



Easy switching by knob.

Secure socket locking

Chrome vanadium steel



Safe socket lock via push button



The chrome-vanadium steel version makes the plug-in tools suitable for heavy loads.

Further versions in this product family:



mm



inch



mm



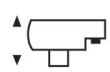
mm



mm



mm



mm

05078635001	9x12	1/4"	17.5	49.0	32.0	28.0	15.0
-------------	------	------	------	------	------	------	------

Web link

[https://products.wera.de/en/torque\\_tools\\_series\\_click-torque\\_wrenches\\_series\\_insert\\_tools\\_insert\\_tools\\_with\\_ratchet\\_functionality\\_7772\\_a.html](https://products.wera.de/en/torque_tools_series_click-torque_wrenches_series_insert_tools_insert_tools_with_ratchet_functionality_7772_a.html)

Wera - 7772 A

05078635001 - 4013288196347

Wera Werkzeuge GmbH

Korzter Straße 21-25

D-42349 Wuppertal

Tel: +49 (0)2 02 / 40 45-0

E-Mail: info@wera.de