



<b>EAN:</b>	4013288196354	<b>Size:</b>	122x83x12 mm
<b>Part number:</b>	05078720001	<b>Weight:</b>	31 g
<b>Article number:</b>	7790/1	<b>Country of origin:</b>	TW
		<b>Customs tariff number:</b>	82079099

- Square insert tool 9x12 mm
- For torque wrenches of the Click-Torque X series with 9x12 mm holder
- For welding on specifically required tools
- Welding should ideally be carried out by a specialist welding company
- With safety pin
- Forged, phosphated

Push-fit weld-on adapter; for torque wrenches of the Click-Torque X series with 9x12 mm holder.

**Web link**

[https://products.wera.de/en/torque\\_tools\\_series\\_click-torque\\_wrenches\\_series\\_insert\\_tools\\_push-fit\\_weld-on\\_adapters\\_insert\\_tools\\_7790\\_1.html](https://products.wera.de/en/torque_tools_series_click-torque_wrenches_series_insert_tools_push-fit_weld-on_adapters_insert_tools_7790_1.html)

Wera - 7790/1  
05078720001 - 4013288196354

Wera Werkzeuge GmbH  
Korzter Straße 21-25  
D-42349 Wuppertal  
Tel: +49 (0)2 02 / 40 45-0  
E-Mail: [info@wera.de](mailto:info@wera.de)

Push-fit weld-on adapters insert tools

Drive 9x12 mm

Push-fit weld-on adapter

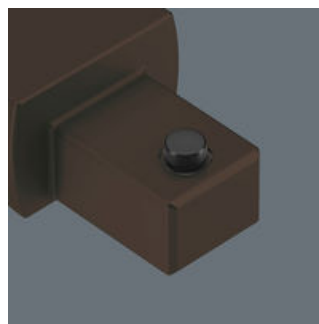
With safety pin



For torque wrenches of the Click-Torque X series with 9x12 mm holder.



For welding on specifically required tools; for torque wrenches of the Click-Torque X series with 9x12 mm holder. **Welding should ideally be carried out by a specialist welding company.**



The safety pin of the insert tools enables safe working and fast tool change.

Further versions in this product family:

	mm	mm	mm	mm	mm
05078720001	9x12	24.0	8.0	22.0	14

Web link

[https://products.wera.de/en/torque\\_tools\\_series\\_click-torque\\_wrenches\\_series\\_insert\\_tools\\_push-fit\\_weld-on\\_adapters\\_insert\\_tools\\_7790\\_1.html](https://products.wera.de/en/torque_tools_series_click-torque_wrenches_series_insert_tools_push-fit_weld-on_adapters_insert_tools_7790_1.html)

Wera - 7790/1  
05078720001 - 4013288196354

Wera Werkzeuge GmbH  
Korzter Straße 21-25  
D-42349 Wuppertal  
Tel: +49 (0)2 02 / 40 45-0  
E-Mail: info@wera.de