

## 9731 Foam insert 6003 Joker set 1, 19 pieces

Foam inserts for roller cabinet



<b>EAN:</b>	4013288225115	<b>Size:</b>	405x360x60 mm
<b>Part number:</b>	05150121001	<b>Weight:</b>	3156 g
<b>Article number:</b>	9731	<b>Country of origin:</b>	CZ
		<b>Customs tariff number:</b>	82041100

- Durable foam insert, each tool has its own place; two-coloured, missing tools will quickly be noticed
- High-quality, durable foam insert without chemical vapours
- Optimum fit for the best possible removal of the tools from the foam insert
- Water- and oil-repellent, low maintenance and easy to clean
- Protection of the tool from dirt and impact
- Ring spanner, perfect for small spaces
- The special open end geometry expands the placement possibilities of the tool
- The low return angle in the open end "takes" the screw every 15°

Durable foam insert; two-coloured for quick identification of missing parts; suitable for the Tool Rebel roller cabinet; equipped with 18 Wera 6003 Joker ring spanners and one Wera Kraftform bottle opener.

### Web link

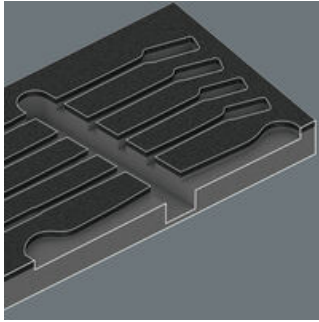
[https://products.wera.de/en/roller\\_cabinet\\_and\\_foam\\_inserts\\_foam\\_inserts\\_for\\_roller\\_cabinet\\_9731.html](https://products.wera.de/en/roller_cabinet_and_foam_inserts_foam_inserts_for_roller_cabinet_9731.html)

Wera - 9731  
05150121001 - 4013288225115

Wera Werkzeuge GmbH  
Korzerter Straße 21-25  
D-42349 Wuppertal  
Tel: +49 (0)2 02 / 40 45-0  
E-Mail: [info@wera.de](mailto:info@wera.de)

Foam inserts for roller cabinet

Safe storage and quick overview



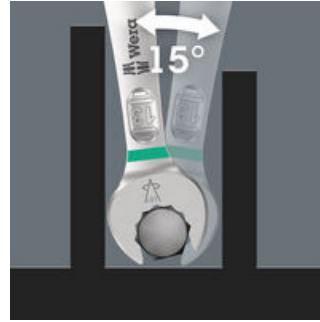
The tools sit securely in the foam thanks to precise contour cutouts, but are easy to remove. The carefully designed arrangement of the tools ensures space-saving storage and quick access to each tool.

Two-coloured foam insert



After removing the tool the light grey second foam becomes visible and therefore missing tools are quickly identified.

For very tight spaces



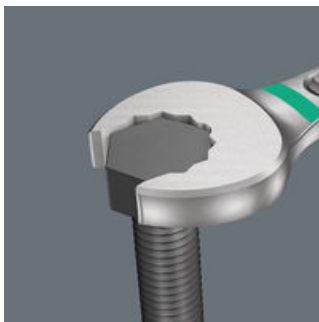
The Joker 6003 ring spanner with its special open end geometry - open end offset by 7.5° and the double hexagon profile - doubles the placement possibilities when repeatedly turning the wrench 180° around the longitudinal axis. Bolts and screw heads can be "accessed" every 15°. The Joker 6003 will automatically find the respective placement point after every turn.

Joker 6003: For return angles of less than 30°



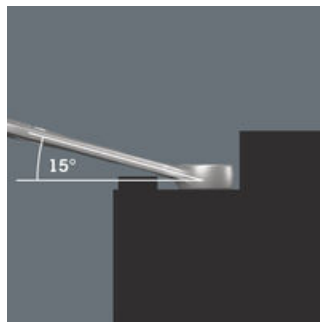
Thanks to the open end side offset by 7.5°, double hexagon geometry and an adjusted application method (placement - screwdriving - turning - replacement - screwdriving - turning, etc), even screwdriving challenges allowing a return angle of less than 30° can be solved.

Double-hex geometry



The double hexagon geometry on the open end and ring sides secures the positive connection with the screw head or bolt and reduces the risk of slipping.

Joker 6003: Tilted ring side



The ring side is tilted at 15° to the tool axis to prevent injury.

"Take it easy" tool finder



Take it easy tool finder system - with profile and size colour-coding for quick and easy tool selection. Colour-coded system for hexagon drive screws (L-Keys, Zyklop bit sockets), external hex drive screws and nuts (Joker wrenches, Zyklop sockets and Zyklop bit sockets with holding function), and TORX® drive screws (L-Keys, Zyklop bit sockets).

Web link

[https://products.wera.de/en/roller\\_cabinet\\_and\\_foam\\_inserts\\_foam\\_inserts\\_for\\_roller\\_cabinet\\_9731.html](https://products.wera.de/en/roller_cabinet_and_foam_inserts_foam_inserts_for_roller_cabinet_9731.html)

Wera - 9731  
05150121001 - 4013288225115

Wera Werkzeuge GmbH  
Korzter Straße 21-25  
D-42349 Wuppertal  
Tel: +49 (0)2 02 / 40 45-0  
E-Mail: info@wera.de

## 9731 Foam insert 6003 Joker set 1, 19 pieces

Foam inserts for roller cabinet



Set contents:

### 6003 Joker Combination wrench, 6 x 105 mm



05020198001	1x	6 x 105 mm
05020199001	1x	7 x 110 mm
05020200001	1x	8 x 115 mm
05020219001	1x	9 x 120 mm
05020201001	1x	10 x 125 mm
05020202001	1x	11 x 135 mm
05020203001	1x	12 x 148 mm
05020204001	1x	13 x 160 mm
05020205001	1x	14 x 167 mm
05020206001	1x	15 x 174 mm
05020207001	1x	16 x 182 mm
05020208001	1x	17 x 190 mm
05020209001	1x	18 x 210 mm
05020210001	1x	19 x 230 mm
05020500001	1x	20 x 230 mm
05020501001	1x	21 x 260 mm
05020502001	1x	22 x 260 mm
05020503001	1x	24 x 280 mm

#### Web link

[https://products.wera.de/en/roller\\_cabinet\\_and\\_foam\\_inserts\\_foam\\_inserts\\_for\\_roller\\_cabinet\\_9731.html](https://products.wera.de/en/roller_cabinet_and_foam_inserts_foam_inserts_for_roller_cabinet_9731.html)

Wera - 9731

05150121001 - 4013288225115

Wera Werkzeuge GmbH

Korzter Straße 21-25

D-42349 Wuppertal

Tel: +49 (0)2 02 / 40 45-0

E-Mail: [info@wera.de](mailto:info@wera.de)