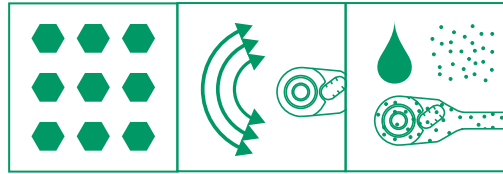




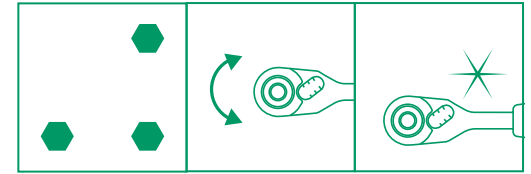
415SGB N  
418B

Repair instructions

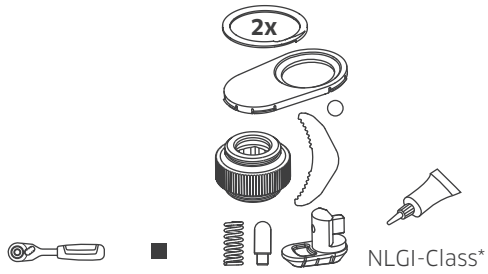
## FREQUENT USE



## INFREQUENT USE



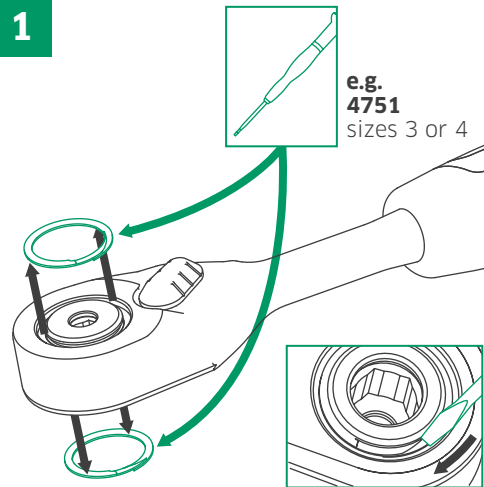
## SPARE PARTS



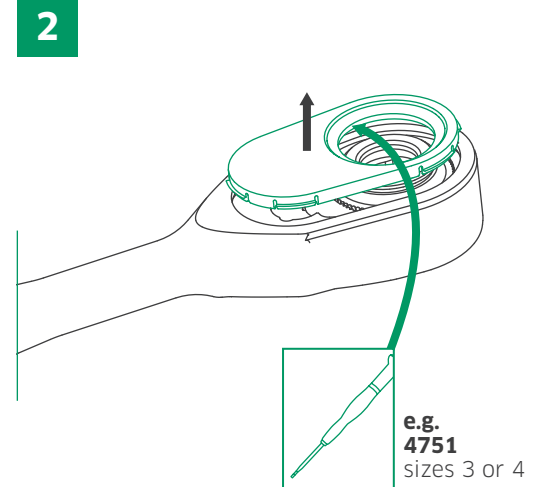
			NLGI-Class*
415SGB N	1/4"	19 01 00 12	2-3
418B	1/4"	19 01 00 12	2-3

\*ASTM D217, DIN 51818

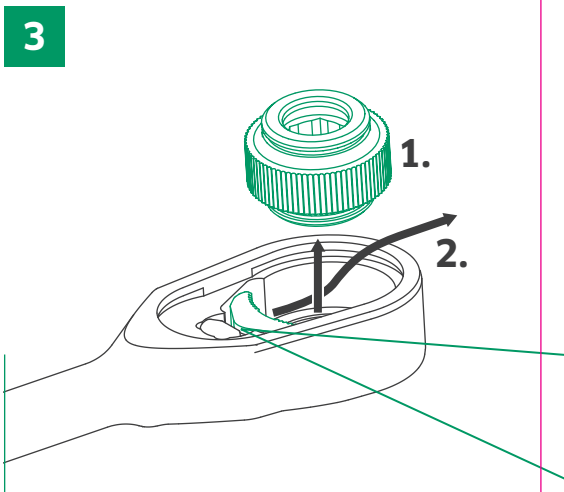
1



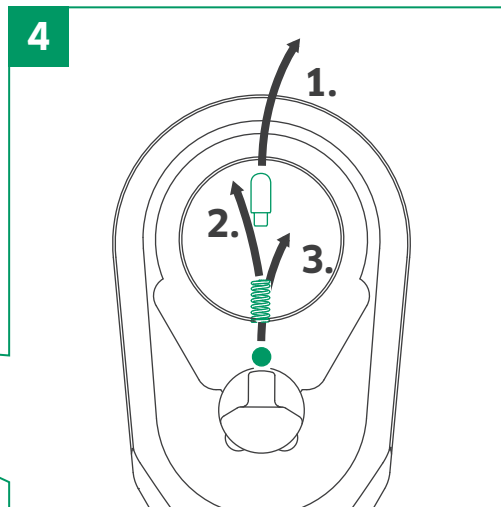
2



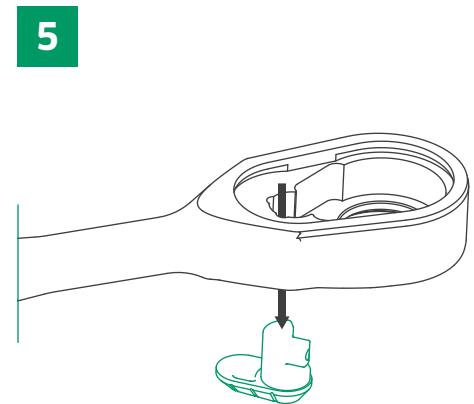
3



4

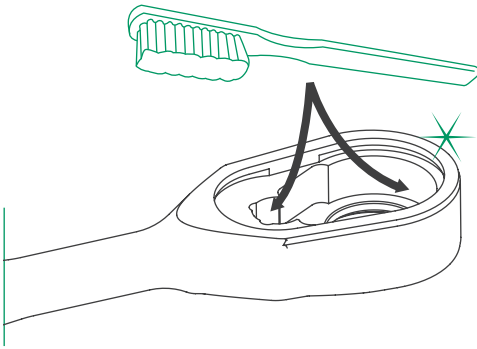


5

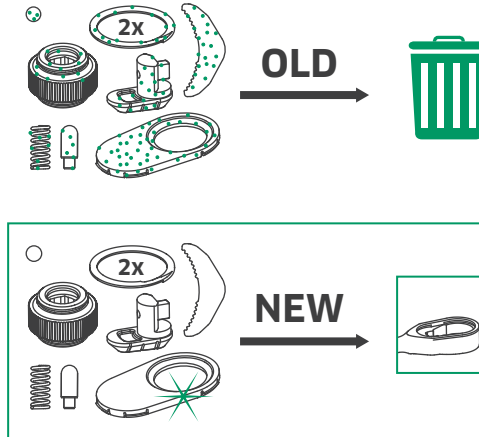


6-12

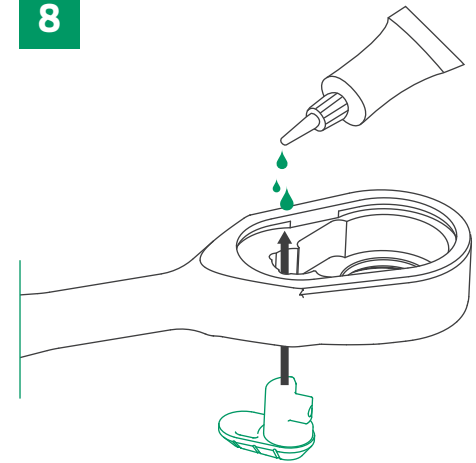
## 6 CLEAN



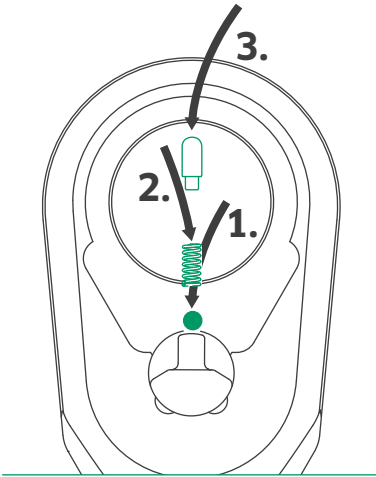
## 7



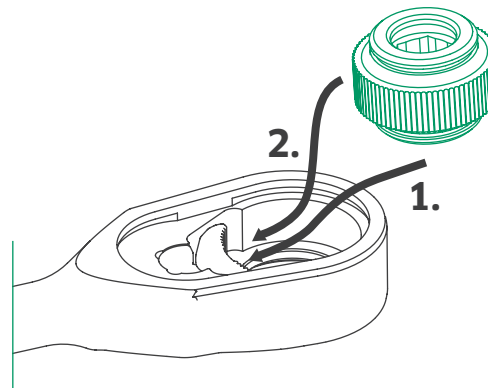
## 8



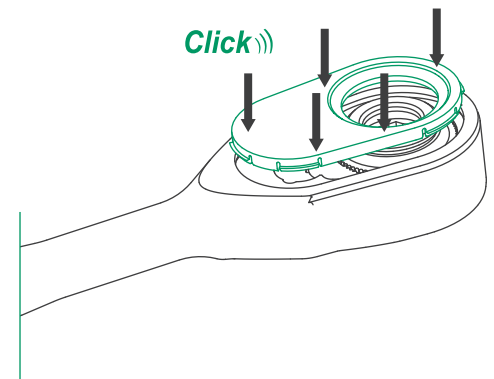
## 9



## 10



## 11



# Premium tool solutions Made in Germany

STAHLWILLE Eduard Wille GmbH & Co. KG  
Lindenallee 27 · 42349 Wuppertal · Germany  
Tel.: +49 202 4791-0 · Fax: +49 202 4791-200  
support@stahlwille.de · www.stahlwille.de

Printed in Germany - Copyright by STAHLWILLE Eduard Wille GmbH & Co. KG,  
Wuppertal - 5/02/18 PAF

91 97 40 00



[service.stahlwille.de](http://service.stahlwille.de)

## 12

