

Product information

31 25 160

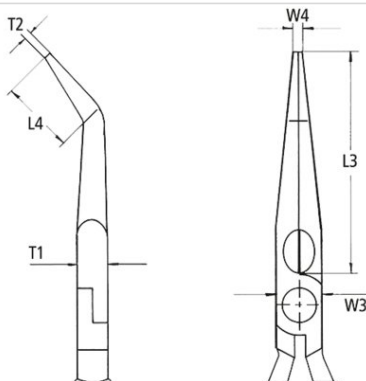
Flat Nose Pliers (Needle-Nose Pliers)

- Precision pliers for very exact assembly, bending and adjusting work
- With extra long jaws: length of jaws 55.0 mm
- Smooth ground gripping surfaces
- Edges carefully deburred
- 45° bent jaws
- Chrome vanadium electric steel, forged, oil-hardened



General	
Article No.	31 25 160
EAN	4003773016489
Pliers	chrome-plated
Head	chrome-plated
Handles	with multi-component grips
Weight	123 g
Dimensions	160 x 58 x 23 mm
REACH compliant	does not contain SVHC
RoHS compliant	not applicable

Technical details	
Jaw thickness (joint) (T1)	7.5 mm
Tips width (W4)	1.8 mm
Tips thickness (T2)	2.5 mm
Gripping surface length (L4)	27.0 mm
Jaw length (L3)	55.0 mm
Head width (W3)	16.0 mm
Head angle	45 °



technical change and errors excepted