

Product information

92 08 79 ESD

Positioning Tweezers ESD

DIN EN 61340 -5-1



- Makes it easy to hold, insert and pull even the smallest elongated components
- With gripping surfaces in dimensionally adapted designs, for example for firmly and securely positioning or pulling sensitive rounded or cuboid components
- For through-hole technology (THT) and pin-in-hole technology (PIH)
- Antimagnetic to avoid electromagnetic damage
- ESD version only: this allows to compensate in a controlled manner the differences in potential between the operator and electronic components
- ESD versions only: with a tested black epoxy resin coating with a surface resistance between 10^4 and 10^9 ohms
- Stainless steel

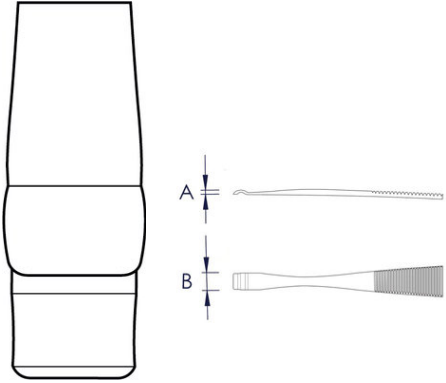
General

| | |
|-------------------|--------------------------|
| Article No. | 92 08 79 ESD |
| Reference number | 572.SA.NE.B |
| EAN | 4003773054641 |
| Material | stainless steel |
| Gripping surfaces | smooth gripping surfaces |
| Weight | 25 g |
| Dimensions | 122 x 10 x 14.5 mm |
| Standard | DIN EN 61340 -5-1 |
| REACH compliant | does not contain SVHC |
| RoHS compliant | not applicable |

Technical details

| | |
|---------------------|--------------------------|
| Surface | matt finish |
| Finish | straight |
| Tips width (A) | 2.5 mm |
| Tips width (B) | 4 mm |
| Corrosion-resistant | yes |
| Acid resistance | very good |
| ESD-tested | yes |
| VDE tested | no |
| Sectors | electronics |
| Magnetic | non-magnetisable (80%) |
| Behaviour | electrically dissipative |

Technical details



technical change and errors excepted