

## Product information

# 92 21 03 ESD

## Universal Tweezers ESD

DIN EN 61340 -5-1



- Electrically dissipative coating: Universal tweezers in the ESD version equalize differences in electrical potential between their user and the workpieces in a controlled manner
- ESD-tested, black epoxy resin coating with a surface resistance between  $10^4$  and  $10^9$  ohms
- For the electronics and precision engineering industries
- Antimagnetic to avoid electromagnetic damage
- Wide range of designs: straight, angled, gripping surfaces and handles smooth or serrated, with needle points, narrow or blunt tips
- The high quality stainless steel ensures extreme toughness and very good corrosion resistance against a variety of atmospheric environments and many corrosive materials
- Also available as a set (92 00 01 ESD)
- Stainless steel

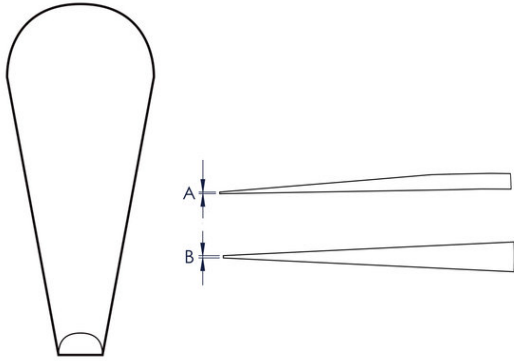
### General

Article No.	92 21 03 ESD
Reference number	SS.SA.NE.B
EAN	4003773086796
Material	stainless steel
Gripping surfaces	smooth gripping surfaces
Weight	16 g
Dimensions	140 x 8 x 14 mm
Standard	DIN EN 61340 -5-1
REACH compliant	does not contain SVHC
RoHS compliant	not applicable

### Technical details

Surface	matt finish
Finish	straight
Tips width (A)	0.2 mm
Tips width (B)	0.3 mm
Tweezers tip version	needle-point
Corrosion-resistant	yes
Acid resistance	very good
ESD-tested	yes
VDE tested	no
Sectors	electronics
Magnetic	non-magnetisable (80%)
Behaviour	electrically dissipative

## Technical details



*technical change and errors excepted*