

## Product information

# 92 21 05

## Mini Precision Tweezers



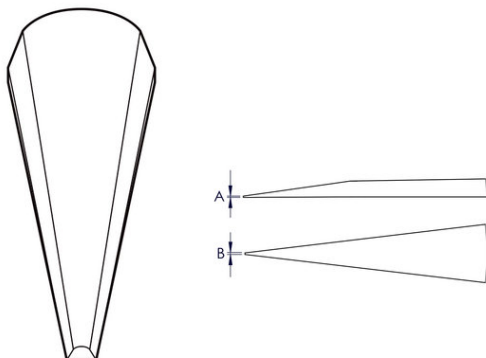
- For particularly demanding precision work: tough and highly resistant to corrosion
- Handcrafted: polished edges and an excellent matt, scratch-free and non-reflective surface
- For the electronics industry, watchmakers, jewellers, laboratories with biological and medical applications in moderately aggressive chemical environments
- High-quality premium stainless steel: high temperature resistance and excellent corrosion resistance to most chemicals, salts and acids
- Extra short and lightweight tweezers with narrow tips
- Ideal for working in confined spaces, under the microscope and for precision close work.
- Ideal for sample handling, microscopy preparation, sorting, precision manufacturing, electronic assembly, rework and repair
- Premium stainless steel

### General

Article No.	92 21 05
Reference number	M3SA1
EAN	4003773086703
Material	premium stainless steel
Gripping surfaces	smooth gripping surfaces
Weight	6 g
Dimensions	70 x 7 x 7.5 mm
REACH compliant	does not contain SVHC
RoHS compliant	not applicable

### Technical details

Surface	matt finish
Finish	straight
Tips width (A)	0.1 mm
Tips width (B)	0.2 mm
Tweezers tip version	needle-point
Corrosion-resistant	yes
ESD-tested	no
VDE tested	no
Sectors	Industry electronics
Magnetic	non-magnetisable (80%)



technical change and errors excepted