

## Product information

# 92 32 29

## Universal Tweezers



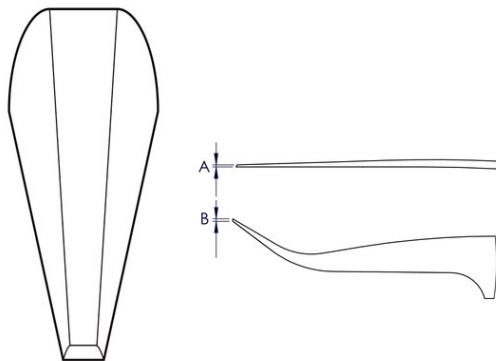
- Universal Tweezers are suitable for demanding standard applications and precision tasks
- Wide range of designs: straight, angled, gripping surfaces and handles smooth or serrated, with needle points, narrow or blunt tips, as well as different lengths
- For the electronics industry, watchmakers and jewellers
- High quality stainless steel: extremely tough and very good corrosion resistance against a variety of atmospheric environments and many corrosive materials
- Stainless steel

### General

Article No.	92 32 29
Reference number	7.SA.B
EAN	4003773054818
Material	stainless steel
Gripping surfaces	smooth gripping surfaces
Weight	15 g
Dimensions	118 x 10 x 10 mm
REACH compliant	does not contain SVHC
RoHS compliant	not applicable

### Technical details

Surface	matt finish
Tips width (A)	0.25 mm
Tips width (B)	0.3 mm
Tweezers tip version	needle-point
Corrosion-resistant	yes
Acid resistance	very good
ESD-tested	no
VDE tested	no
Sectors	Industry electronics
Magnetic	non-magnetisable (80%)



technical change and errors excepted