

Product information

92 91 02

Precision Cross Jaw Tweezers



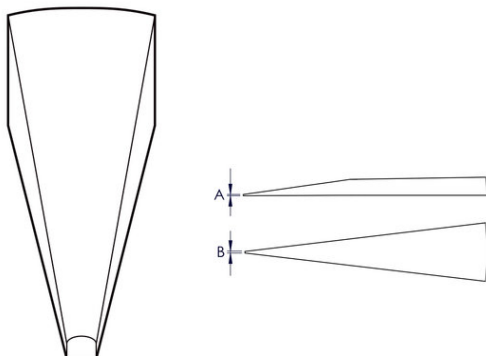
- Hold automatically: Their spring force makes these holding tweezers perfect for soldering small and very small components, among other uses
- For applications that require a high-precision self-closing function, for example in microscopy or for precision assembly or soldering tasks
- For soldering work on transistors, gold wire diodes, etc.
- Suitable for a wide variety of applications in the electronics industry thanks to perfectly symmetrical tips and excellent balance
- The high-quality premium stainless steel versions offer high temperature resistance and excellent corrosion resistance to most chemicals, salts and acids
- Handcrafted, with an excellent matt, scratch-free and non-reflective surface
- Precision cross-over tweezers for particularly challenging applications when corrosion resistance and toughness are the main requirements
- Premium stainless steel

General

Article No.	92 91 02
Reference number	3X.SA.1
EAN	4003773086819
Material	premium stainless steel
Gripping surfaces	smooth gripping surfaces
Weight	12 g
Dimensions	120 x 10 x 11 mm
REACH compliant	does not contain SVHC
RoHS compliant	not applicable

Technical details

Surface	matt finish
Finish	straight
Tips width (A)	0.12 mm
Tips width (B)	0.2 mm
Tweezers tip version	needle-point
Corrosion-resistant	yes
ESD-tested	no
VDE tested	no
Sectors	Industry electronics
Magnetic	non-magnetisable (80%)



technical change and errors excepted