



**KERN & Sohn GmbH**

Ziegelei 1

D-72336 Balingen

E-mail: [info@kern-sohn.com](mailto:info@kern-sohn.com)

Telephone: +49-[0]7433-9933-0

Fax: +49-[0]7433-9933-149

Internet: [www.kern-sohn.com](http://www.kern-sohn.com)

## The assembly instructions Recessed frame

**KERN**

Version 2.4

2021-07

GB

**BFS-A03N / A04N / A08N / BFN-A02 / A06**



Similar picture

**BFS-A03N/A04N/A08N/BFN-A02/A06-IA-e-2124**



# **KERN BFS-A03N/A04N/A08N/BFN-A02/A06**

Version 2.4 2021-07

## **The assembly instructions Recessed frame**

---

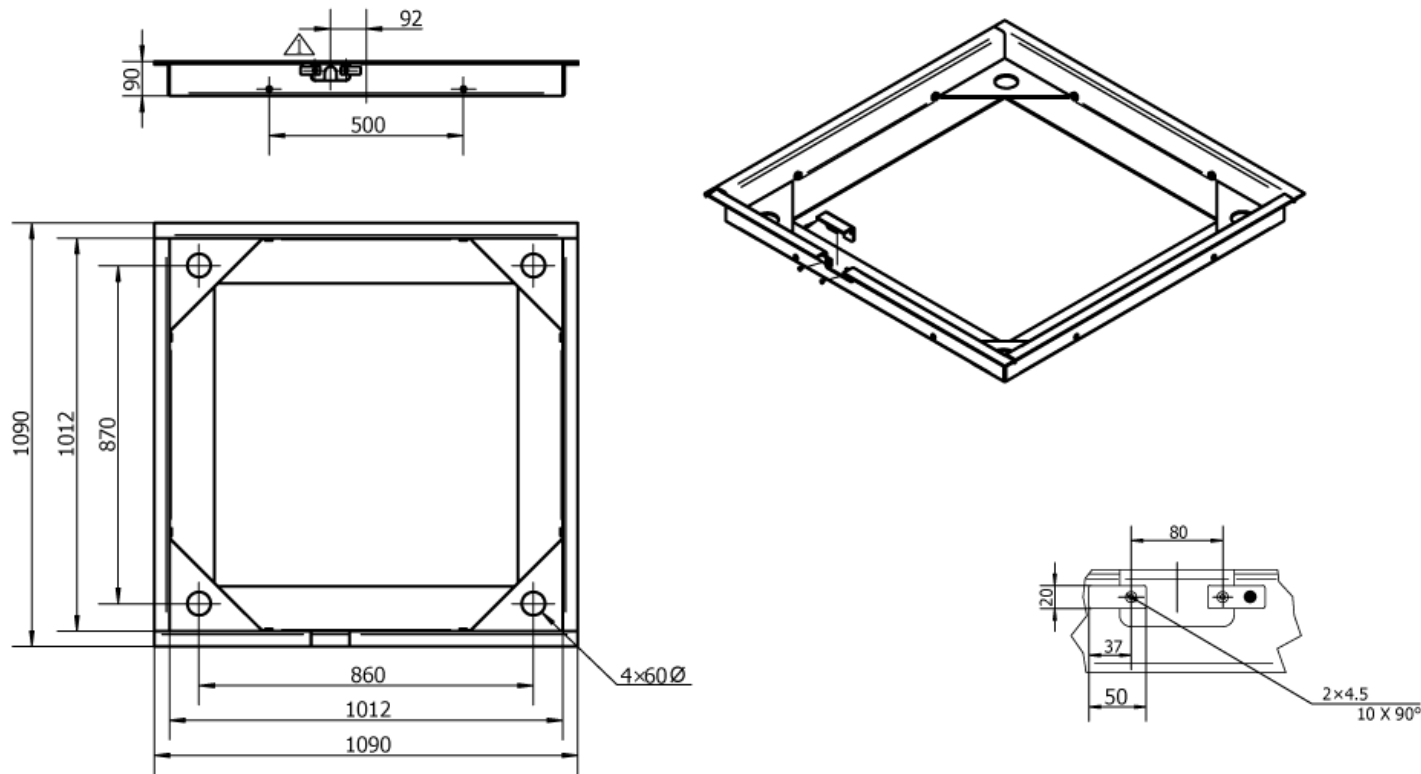
---

### **Table of contents**

1. BFS-A03N Lacquered steel / BFN-A06 Stainless steel.....	1
2. BFS-A04N Lacquered steel / BFN-A02N Stainless steel .....	2
3. BFS-A08N .....	3
4. Side view – foundation plan .....	4

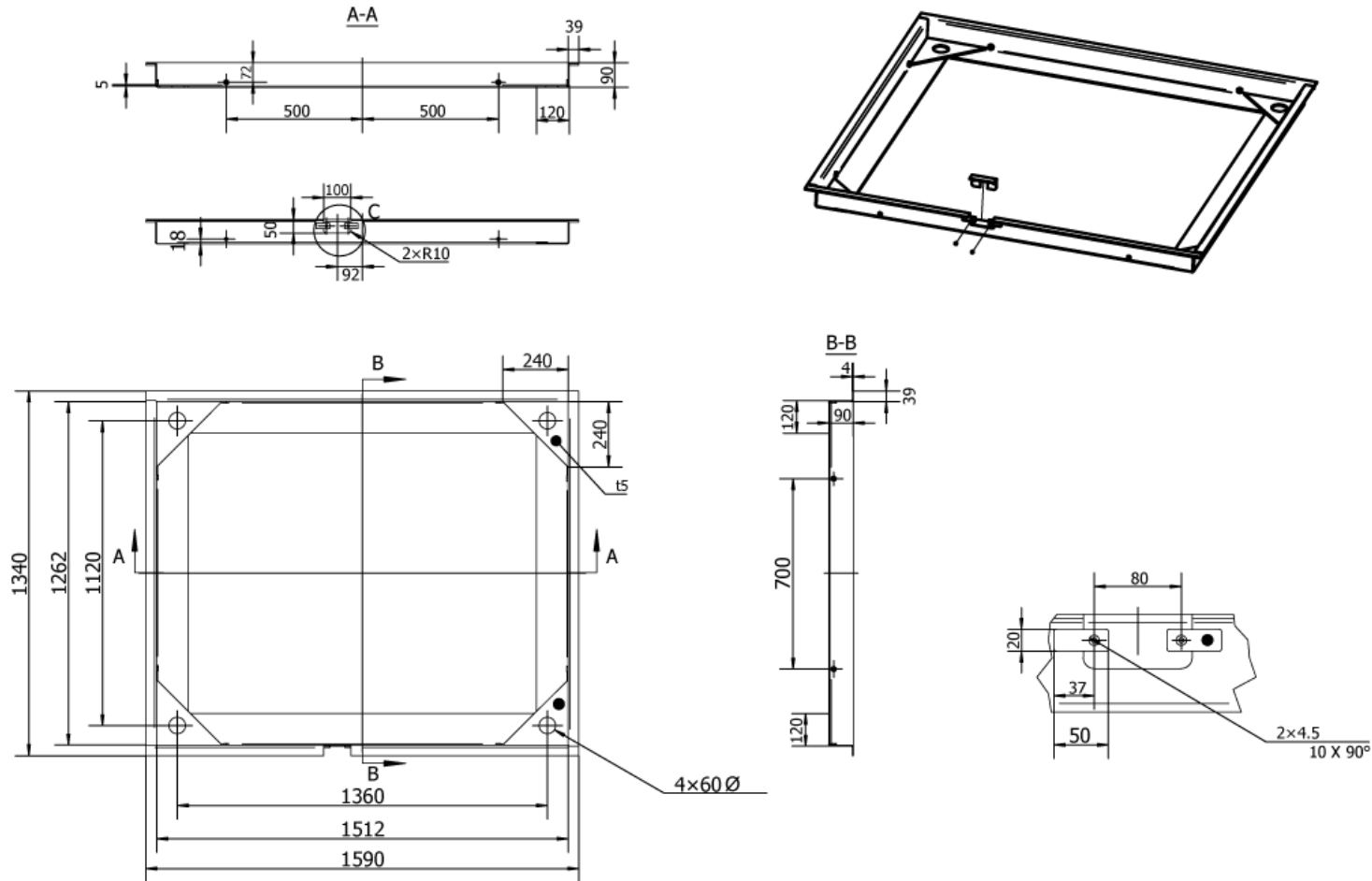
# 1. BFS-A03N Lacquered steel / BFN-A06 Stainless steel

for the platform dimension 1000 x 1000



1090 x 1090

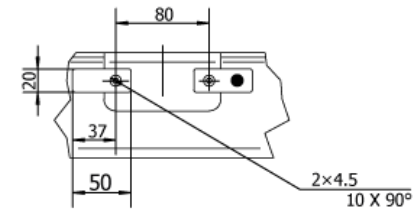
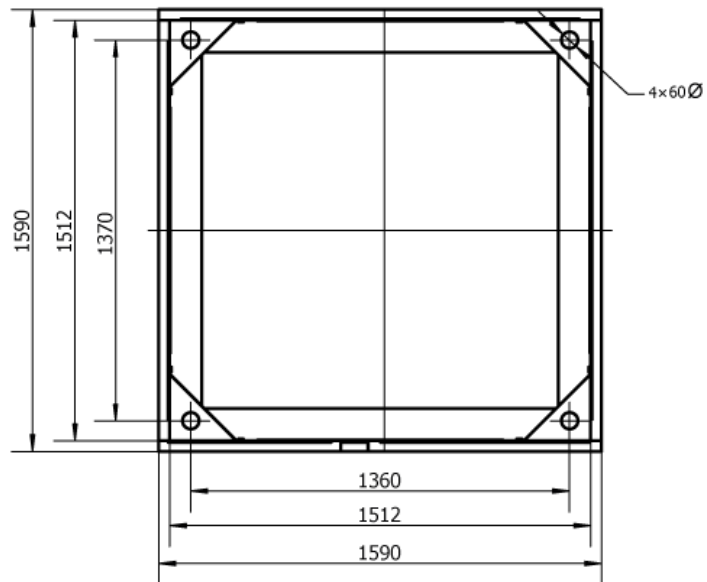
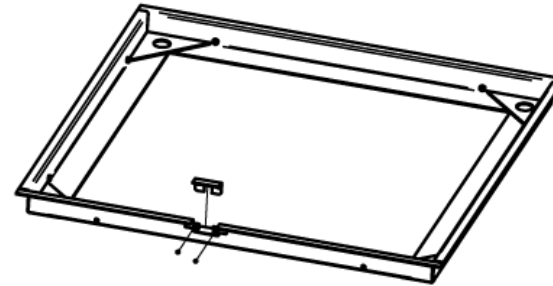
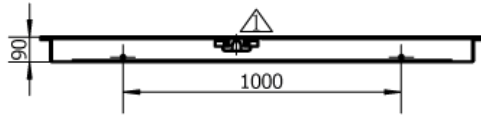
**2. BFS-A04N Lacquered steel / BFN-A02N Stainless steel**  
 for the platform dimension 1500 x 1250



1590 x 1340

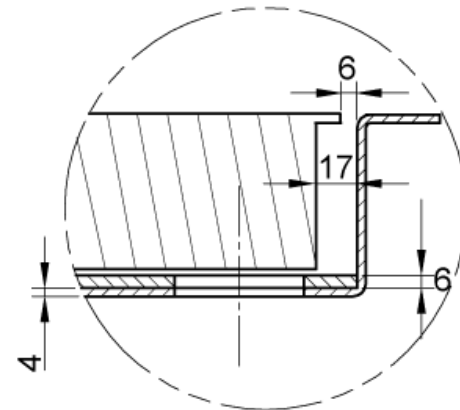
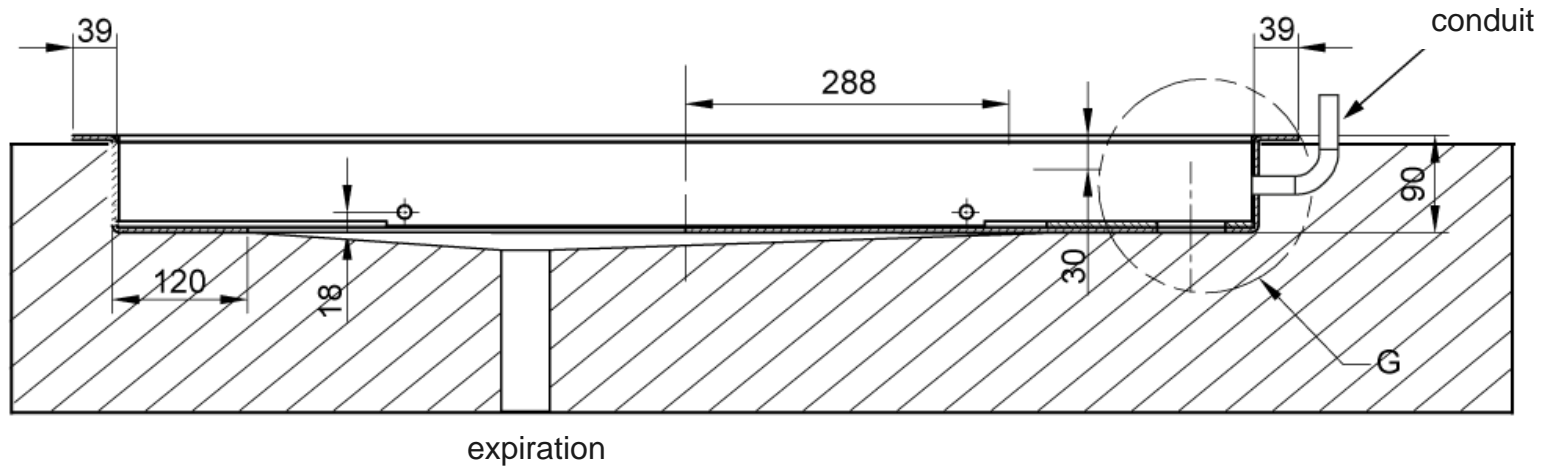
### 3. BFS-A08N

Lacquered steel  
for the platform dimension 1500 x 1500



1590 x 1590

#### 4. Side view – foundation plan



Detail G