



LYGO (Far East) Industrial Ltd.

Unit 25, 14 Floor, Block B, Hi Tech Industrial Centre, 491-501 Castle Peak Road,
Tsuen Wan, Hong Kong

SPECIFICATION

LG MODEL NO.	<u>LGSPSB150060EP</u>	CLIENT MODEL NO.	_____
CUSTOMER	<u>BONSO</u>	CUSTOMER P/N.:	<u>9015-060072-006</u>
SPEC. REF. NO.	<u>SF11043</u>	REF. NO.:	<u>SR-11-0580</u>
DATA NO.:	<u>DP11064</u>	VERSION	<u>1</u>
ARTICLE	<input checked="" type="checkbox"/> SWITCHING POWER SUPPLY <input type="checkbox"/> DIRECT PLUG IN TYPE <input type="checkbox"/> CORD TO CORD TYPE		
SERIES TYPE	<input checked="" type="checkbox"/> LGSPSB		
STANDARD.	<input checked="" type="checkbox"/> EUROPE		
COMPONENT	<input checked="" type="checkbox"/> ROHS(2002/95/EC) <input type="checkbox"/> NON ROHS		
EFFICIENCY LEVEL	<input checked="" type="checkbox"/> V(2009/125/EC EUP/ERP compliant)		
UNIT COLOR	<input checked="" type="checkbox"/> BLACK <input type="checkbox"/> WHITE		
DESCRIPTION	<u>INPUT: AC100-240V 50-60Hz; OUTPUT: DC15V 600mA</u>		

REVISION HISTORY:

Version	Revision Description	Prepared/ Mender	Page	Date
0	Initial Creation	Feng	ALL	May 15, 2011
1	Correct output plug size	Feng	4	June 8, 2011

ISSUED BY :	June 8, 2011	SIGNATURE:
	DATE	
APPROVED BY :	June 8, 2011	SIGNATURE:
	DATE	

Please confirm your acceptance by signing and return one copy to us.	Sign and Chop: Date:
Your Part Number :	
Your Sample approval reference Number:	


SPECIFICATIONS:

MODEL NO: LGSPSB150060EP	DATA NO.: DP11064
ARTICLE: SWITCHING POWER SUPPLY	SERIES TYPE: LGSPSB
DESCRIPTION: INPUT: AC100-240V 50-60Hz OUTPUT: DC15V 600mA	CERTIFICATION:

ELECTRICAL CHARACTERISTICS :

		ITEM	NORMAL	LIMIT
1	INPUT	INPUT RATED VOLTAGE	AC 100-240V	± 10%
2		INPUT RATED FREQUENCY	50-60 Hz	± 3 Hz
3		EXCITING CURRENT	15mA	MAX
4		FULL LOAD CURRENT	300mA	MAX
5		Standby Power Consumption @ At input 115V 60Hz and 230V 50Hz with output @ no load	0.3W	MAX
6		INPUT POWER @ At output full load	15W	MAX
7	OUTPUT	OUTPUT RATED VOLTAGE @ At input AC100-240V 50/60Hz with output no load	DC15.3V	± 5%
8		OUTPUT RATED VOLTAGE @At input AC100-240V 50/60Hz with output load DC 600mA	DC:15V	± 5%
9		OUTPUT RATED CURRENT	600mA	± 20mA
10		OUTPUT RIPPLE @At 20MHz, and output parallel a 47uF/50V electrolytic capacitors and a 0.1uF/50V ceramic capacitors	/	/
11		EFFICIENCY @ According to EUP/ERP stage (2nd) method	76.04%	MIN
12	PROTECTION	INPUT FUSE PROTECTION	2A/250V current fuse	UL/VDE APPROVED
13		OUTPUT OVER VOLTAGE PROTECTION	OVER OUTPUT RATE VOLTAGE 150%	@ At 100V and 240V with output full load
14		OUTPUT SHORT CIRCUIT PROTECTION	Not damage and with auto recovery function	Short output connector
15		Hi-POT	INPUT TO OUTPUT	DC3000V 5mA 2Sec
16		INSULATION RESISTANCE	INPUT TO OUTPUT	DC 500V 10M OHM MINIMUM
17		SAFETY STANDARD	<input checked="" type="checkbox"/> IEC/EN60950 <input type="checkbox"/> IEC/EN61558 <input type="checkbox"/> UL6095 <input type="checkbox"/> PSE	

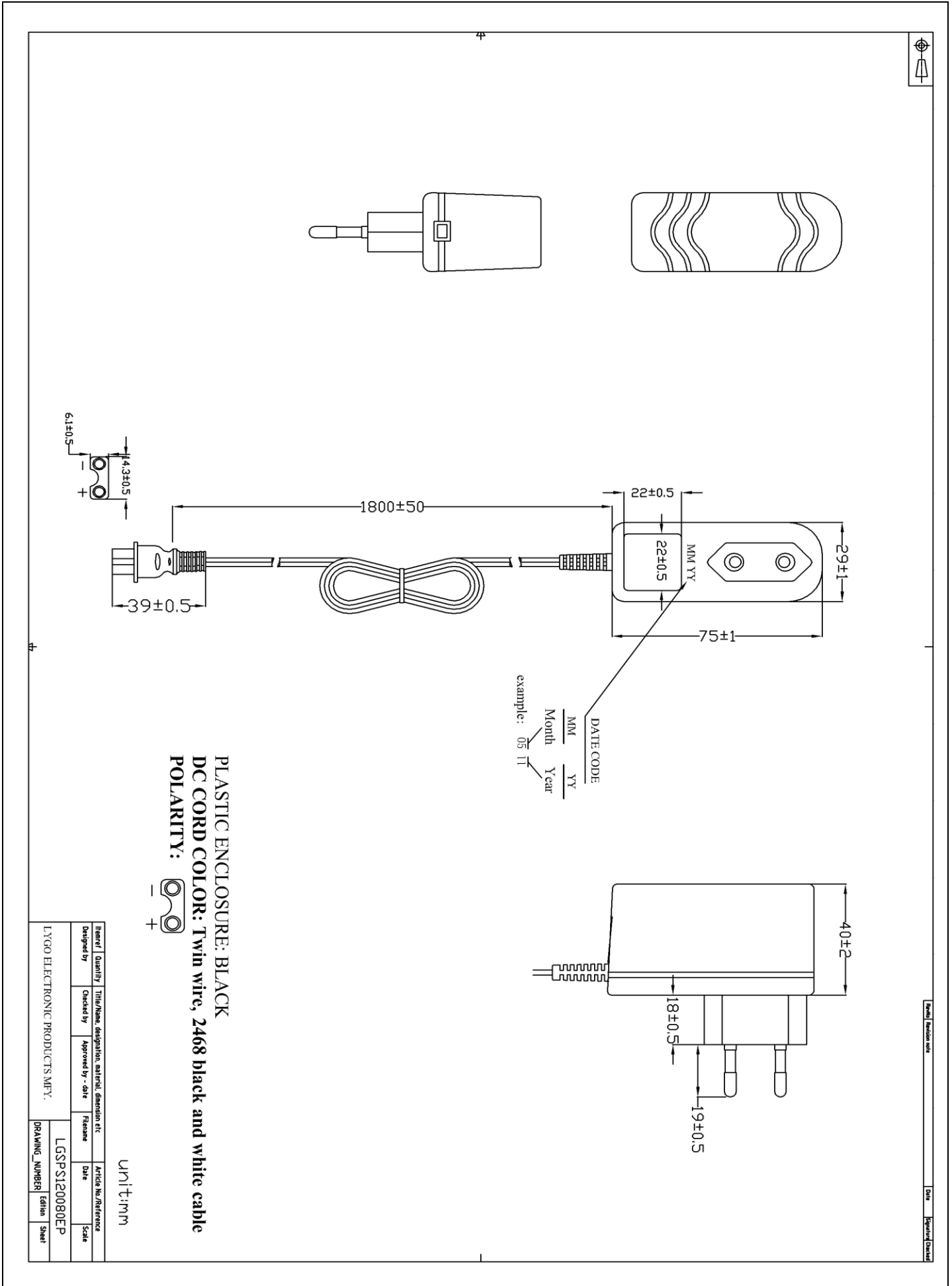
MECHANICAL CHARACTERISTICS:

a		DIMENSION	75(L) x 29(W) x 40(H)mm	SEE APPENDIX A
b		INPUT CONNECTOR	<input checked="" type="checkbox"/> DIRECT PLUG IN TYPE	<input checked="" type="checkbox"/> EU <input type="checkbox"/> US/JAPAN <input type="checkbox"/> UK <input type="checkbox"/> Australia
			<input type="checkbox"/> CORD TO CORD TYPE	<input type="checkbox"/> IEC SOCKET C6 <input type="checkbox"/> IEC SOCKET C8 <input type="checkbox"/> IEC SOCKET C14
c		INPUT CORD	/	
d		HOUSING MATERIAL	PC V ₀	
e		HOUSING COLOR	BLACK	
f		OUTPUT CONNECTOR	“B” PLUG	
g		OUTPUT CORD	Twin wire length 1.8M	black and white cable
h		OUTPUT POLARITY		
i		LABEL	PVC	SEE APPENDIX B
j		PACKAGE	EACH WITH POLY-BAG ;	SEE APPENDIX C
k		NET WEIGHT	110g,(approx)	Per unit without packing

ENVIRONMENTAL CHARACTERISTICS:

I		STORAGE TEMPERATURE RANGE	-20 to +60°C	
II		OPERATING TEMPERATURE RANGE	-0 to +40°C	
III		STORAGE RH RANGE	5 to 95%	RH: Relative Humidity
IV		OPERATING RH RANGE	20 to 90%	

APPENDIX A: HOUSING DRAWING

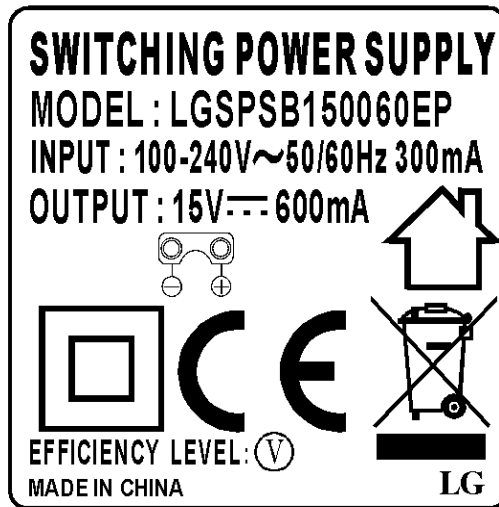


APPENDIX B: NAMEPLATE DRAWING

MODEL NO.:	LGSPSB150060EP	P/O NO.	SR-11-0580
ISSUE DATE	REVISION	DETAILS	VERIFY BY
May 15, 2011	0	Official release	Feng



SCALE 1:1



SCALE 3:1

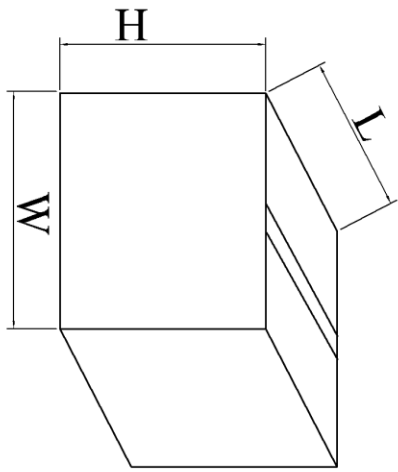
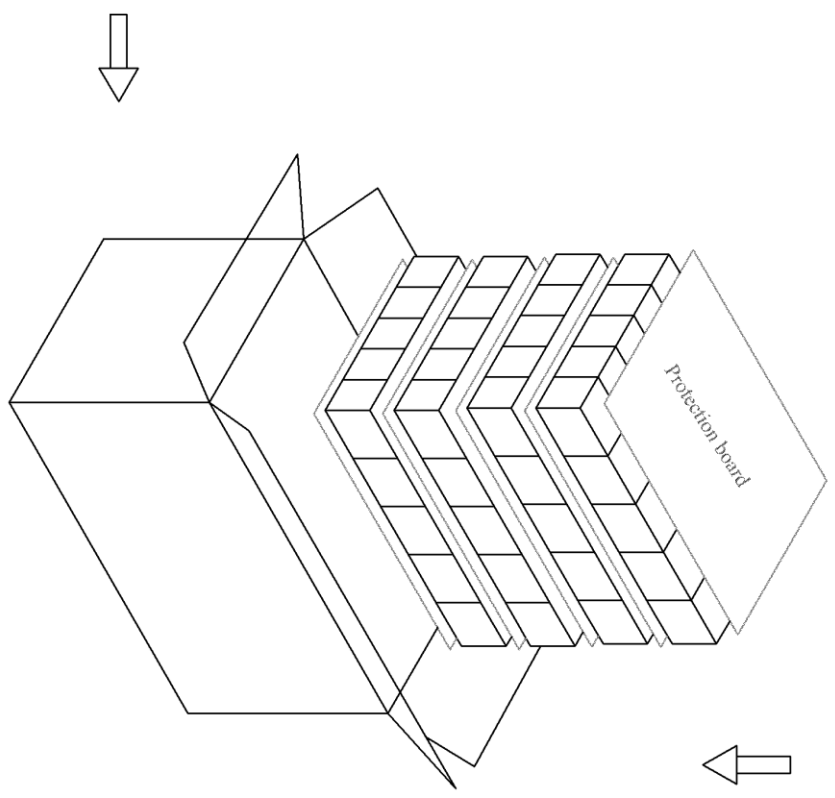
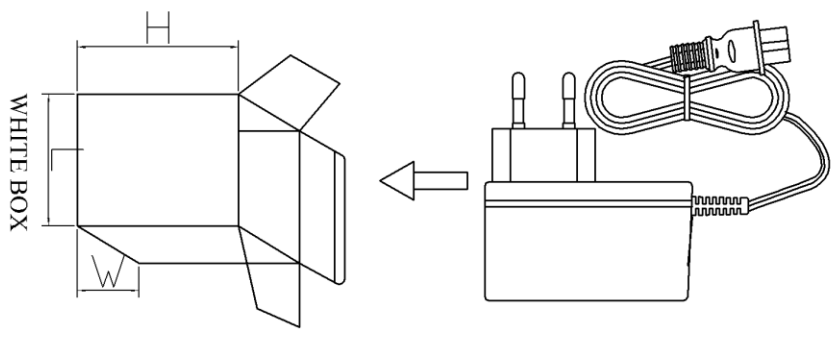
NAMEPLATE:

SIZE: 22 × 22 mm

MATERIAL: PVC

PRINTING : Black background white word

APPENDIX C: PACKING DRAWING



Outside packing carton
Size: L x W x H CM

- Remark:
1. WHITE : L102xW30xH82mm(APPROX)
 2. Packing: XXPCS per carton.
 3. Carton size: XX x XX x XX CM

REVISIONS		DATE		BY		REASON	

DESIGNER	DATE	SCALE	TITLE
CHECKER	DATE	SCALE	TITLE
APPROVER	DATE	SCALE	TITLE

LYCO ELECTRONIC PRODUCTS MPY.

Scale: 1:1
Date: / /