



KERN & Sohn GmbH

Ziegelei 1
D-72336 Balingen
E-Mail: info@kern-sohn.com

Tel: +49-[0]7433- 9933-0
Fax: +49-[0]7433-9933-149
Internet: www.kern-sohn.com

Assembly instructions Tripod

KERN SFB-A01

Version 1.0
11/2012
GB



SFB-A01-IA-e-1210



KERN SFB-A01

Version 1.0 11/2012

Assembly instructions Tripod

Contents

1	Technical data	2
2	Scope of delivery	3
3	Assembly	3
3.1	Assemble the tripod to the balance	3
3.2	Assemble the display unit to the tripod.....	4

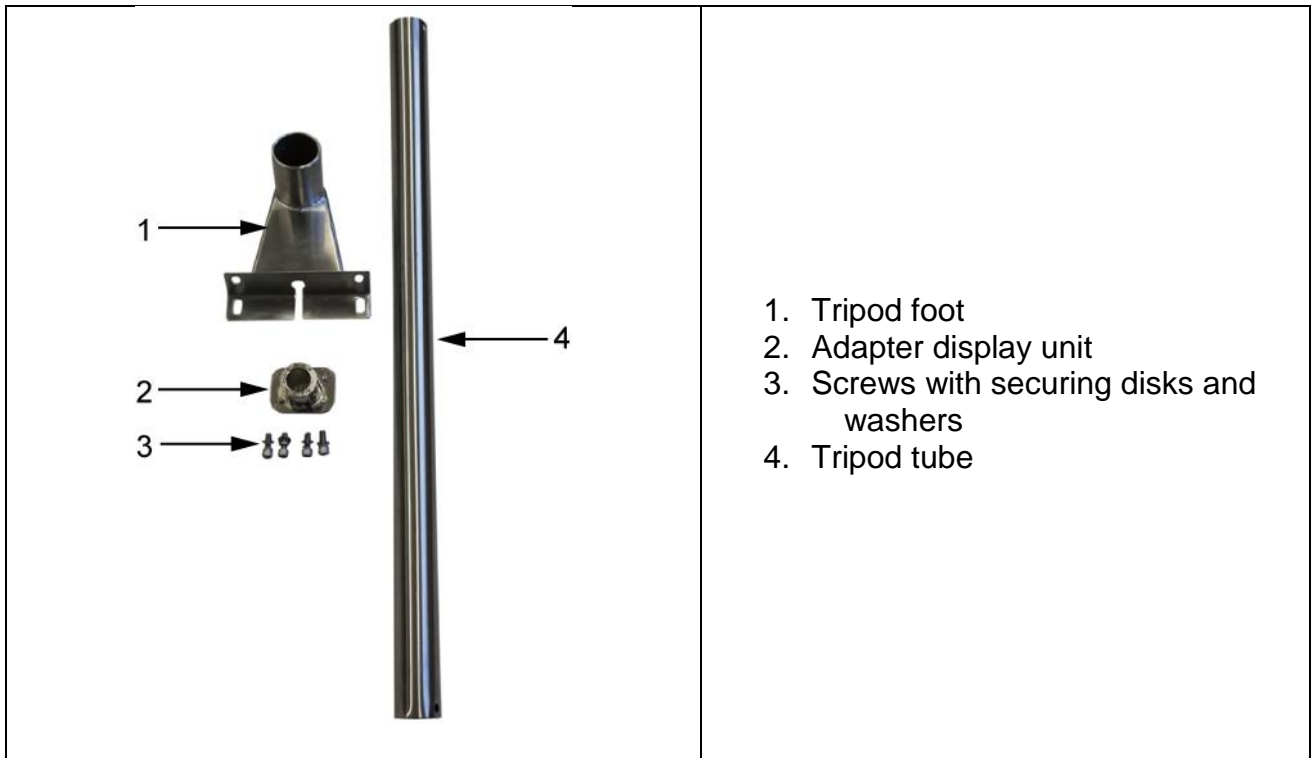
Tripod SFB-A01 only suitable for the following SFB-models:

- SFB 60K2XLM
- SFB 100K2L
- SFB 100K2LM
- SFB 100K2XL
- SFB 100K2XLM
- SFB 200K 2XL
- SFB 300K1LM

1 Technical data

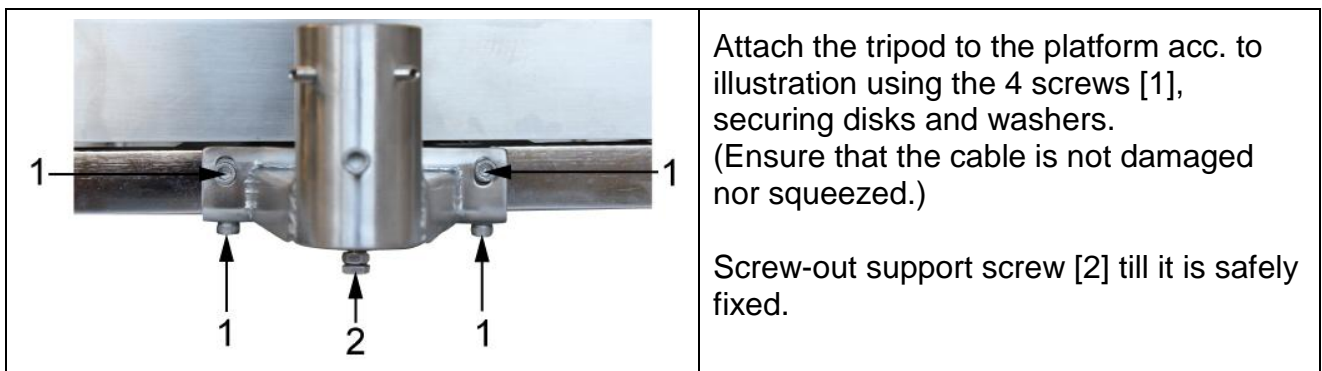
Tripod height	60 cm
Net weight	1800 g

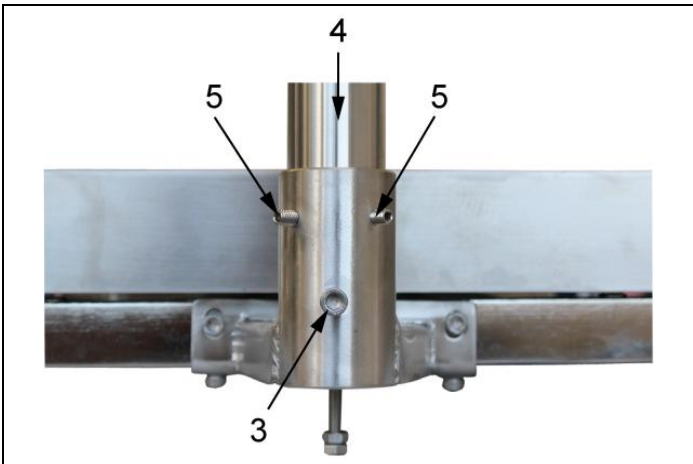
2 Scope of delivery



3 Assembly

3.1 Assemble the tripod to the balance





Unscrew the screws [3] from the tripod foot.
 Introduce the tripod tube [4] into the tripod foot until the hole in the tripod tube and the hole in the tripod foot are exactly one above the other.
 Screw-in the screw [3] again.
 Fix the tripod tube using screws [5].

3.2 Assemble the display unit to the tripod



Screw tight the adapter [6] of the display unit to the display unit using 4 screws [7] according to the illustration.

Ensure that the screw of the adapter is on the same side as the hole in the tripod tube.



Use the screw of the adapter to fix the display unit on the tripod.

Fix the cable using cable ties in a way that it does not disturb the weighing process.