

9640 Magnetic rail 6003 Joker 1 Ring spanner set, 11 pieces

6003 Joker Combination wrench - Open end with return angle of just 15°. When things get tight.



EAN:	4013288228963	Size:	380x160x45 mm
Part number:	05020233001	Weight:	1390 g
Article number:	9640	Country of origin:	CZ
		Customs tariff number:	82041100

- 11-piece set
- With its strong magnet, the rail holds securely to metal surfaces. It can also be bolted to the wall.
- The clips hold the tools perfectly
- Especially suitable for tight spaces
- The special open end geometry expands the placement possibilities of the tool
- The low return angle in the open end "takes" the screw every 15°
- Slim ring side with 15° crank
- With Take it easy tool finder: colour coding by size

Ring spanner set, 11-piece set, metric sizes; on a magnetic rail. With the combination of the 7.5° offset open end and the double hexagon geometry, the Joker 6003 doubles the placement points. A repeated 180° turn of the wrench around the longitudinal axis during screwdriving provides four placement possibilities, and bolts or screw heads can be engaged every 15°. This makes screwdriving much easier, especially in confined spaces. The slim yet robust ring side is tilted by 15° to the tool axis. The high-quality surface treatment achieves a high and long-lasting corrosion protection. With "Take it easy" Tool finder: Colour coding by size. The clips hold the tools perfectly. With its strong magnet, the rail holds securely to metal surfaces. It can also be bolted to the wall.

Web link

https://products.wera.de/en/joker_6003_joker_combination_wrench_open_end_with_return_angle_of_just_15_when_things_get_tight_9640.html

Wera - 9640
05020233001 - 4013288228963

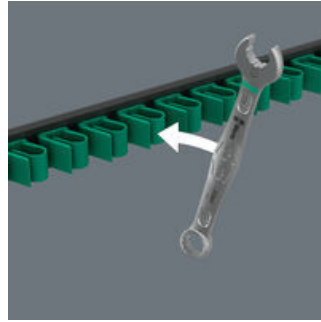
Wera Werkzeuge GmbH
Korzter Straße 21-25
D-42349 Wuppertal
Tel: +49 (0)2 02 / 40 45-0
E-Mail: info@wera.de

9640 Magnetic rail 6003 Joker 1 Ring spanner set, 11 pieces



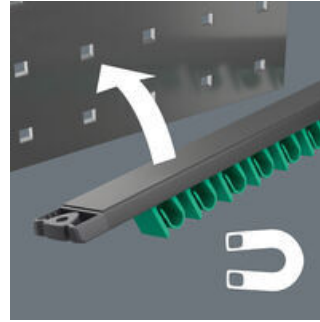
6003 Joker Combination wrench - Open end with return angle of just 15°. When things get tight.

Secure tool holding



The high-quality aluminium magnetic rail offers space for up to 11 spanners. The clamping springs hold the tools securely.

Held by magnetic force



With its strong magnet, the rail can be attached securely to metal surfaces.

Screw mounting



The rail can also be bolted to the wall.

For very tight spaces



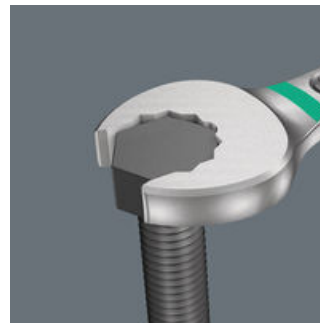
The Joker 6003 ring spanner with its special open end geometry - open end offset by 7.5° and the double hexagon profile - doubles the placement possibilities when repeatedly turning the wrench 180° around the longitudinal axis. Bolts and screw heads can be "accessed" every 15°. The Joker 6003 will automatically find the respective placement point after every turn.

Joker 6003: For return angles of less than 30°



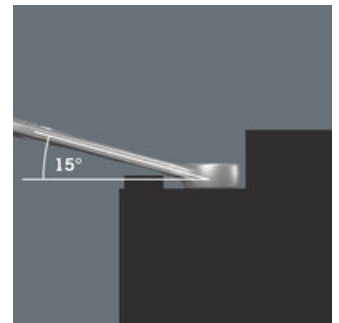
Thanks to the open end side offset by 7.5°, double hexagon geometry and an adjusted application method (placement - screwdriving - turning - replacement - screwdriving - turning, etc), even screwdriving challenges allowing a return angle of less than 30° can be solved.

Double-hex geometry



The double hexagon geometry on the open end and ring sides secures the positive connection with the screw head or bolt and reduces the risk of slipping.

Joker 6003: Tilted ring side



The ring side is tilted at 15° to the tool axis to prevent injury.

Web link

https://products.wera.de/en/joker_6003_joker_combination_wrench_open_end_with_return_angle_of_just_15_when_things_get_tight_9640.html

Wera - 9640
05020233001 - 4013288228963

Wera Werkzeuge GmbH
Korzter Straße 21-25
D-42349 Wuppertal
Tel: +49 (0)2 02 / 40 45-0
E-Mail: info@wera.de

9640 Magnetic rail 6003 Joker 1 Ring spanner set, 11 pieces

6003 Joker Combination wrench - Open end with return angle of just 15°. When things get tight.

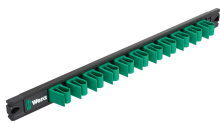
Set contents:

6003 Joker Combination wrench, 11 x 135 mm



05020202001	1x	11 x 135 mm
05020203001	1x	12 x 148 mm
05020205001	1x	14 x 167 mm
05020206001	1x	15 x 174 mm
05020207001	1x	16 x 182 mm
05020209001	1x	18 x 210 mm
05020200001	1x	8 x 115 mm
05020201001	1x	10 x 125 mm
05020204001	1x	13 x 160 mm
05020208001	1x	17 x 190 mm
05020210001	1x	19 x 230 mm

9610 Joker Magnetic rail, for up to 11 spanners, empty, 30 x 370 mm



05136413001	1x	30 x 370 mm
-------------	----	-------------

Web link

https://products.wera.de/en/joker_6003_joker_combination_wrench_open_end_with_return_angle_of_just_15_when_things_get_tight_9640.html

Wera - 9640
05020233001 - 4013288228963

Wera Werkzeuge GmbH
Korzter Straße 21-25
D-42349 Wuppertal
Tel: +49 (0)2 02 / 40 45-0
E-Mail: info@wera.de