

## 9641 Magnetic rail 6003 Joker 2 Ring spanner set, 5 pieces

6003 Joker Combination wrench - Open end with return angle of just 15°. When things get tight.



<b>EAN:</b>	4013288229854	<b>Size:</b>	380x160x45 mm
<b>Part number:</b>	05020234001	<b>Weight:</b>	946 g
<b>Article number:</b>	9641	<b>Country of origin:</b>	CZ
		<b>Customs tariff number:</b>	82041100

- 5-piece set
- With its strong magnet, the rail holds securely to metal surfaces. It can also be bolted to the wall.
- The clips hold the tools perfectly
- Especially suitable for tight spaces
- The special open end geometry expands the placement possibilities of the tool
- The low return angle in the open end "takes" the screw every 15°
- Slim ring side with 15° crank
- With Take it easy tool finder: colour coding by size

Ring spanner set, 5-piece set, metric sizes; on a magnetic rail. With the combination of the 7.5° offset open end and the double hexagon geometry, the Joker 6003 doubles the placement points. A repeated 180° turn of the wrench around the longitudinal axis during screwdriving provides four placement possibilities, and bolts or screw heads can be engaged every 15°. This makes screwdriving much easier, especially in confined spaces. The slim yet robust ring side is tilted by 15° to the tool axis. The high-quality surface treatment achieves a high and long-lasting corrosion protection. With "Take it easy" Tool finder: Colour coding by size. The strip terminals hold the tools perfectly. With its strong magnet, the rail holds securely to metal surfaces. It can also be bolted to the wall.

### Web link

[https://products.wera.de/en/joker\\_6003\\_joker\\_combination\\_wrench\\_open\\_end\\_with\\_return\\_angle\\_of\\_just\\_15\\_when\\_things\\_get\\_tight\\_9641.html](https://products.wera.de/en/joker_6003_joker_combination_wrench_open_end_with_return_angle_of_just_15_when_things_get_tight_9641.html)

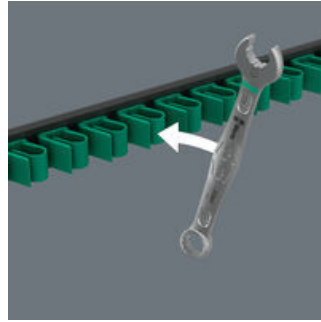
Wera - 9641  
05020234001 - 4013288229854

Wera Werkzeuge GmbH  
Korzter Straße 21-25  
D-42349 Wuppertal  
Tel: +49 (0)2 02 / 40 45-0  
E-Mail: [info@wera.de](mailto:info@wera.de)

## 9641 Magnetic rail 6003 Joker 2 Ring spanner set, 5 pieces

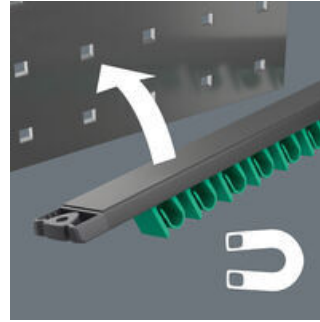
6003 Joker Combination wrench - Open end with return angle of just 15°. When things get tight.

### Secure tool holding



The high-quality aluminium magnetic rail offers space for up to 11 spanners. The clamping springs hold the tools securely.

### Held by magnetic force



With its strong magnet, the rail can be attached securely to metal surfaces.

### Screw mounting



The rail can also be bolted to the wall.

### For very tight spaces



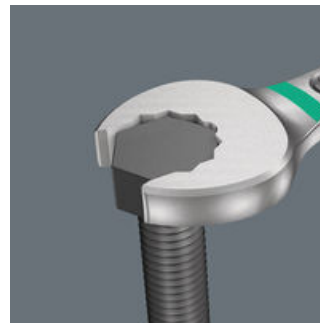
The Joker 6003 ring spanner with its special open end geometry - open end offset by 7.5° and the double hexagon profile - doubles the placement possibilities when repeatedly turning the wrench 180° around the longitudinal axis. Bolts and screw heads can be "accessed" every 15°. The Joker 6003 will automatically find the respective placement point after every turn.

### Joker 6003: For return angles of less than 30°



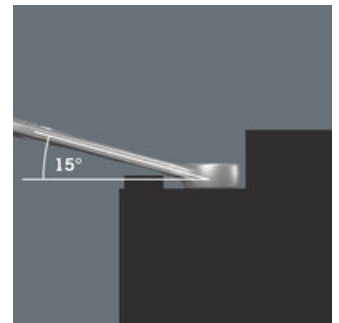
Thanks to the open end side offset by 7.5°, double hexagon geometry and an adjusted application method (placement - screwdriving - turning - replacement - screwdriving - turning, etc), even screwdriving challenges allowing a return angle of less than 30° can be solved.

### Double-hex geometry



The double hexagon geometry on the open end and ring sides secures the positive connection with the screw head or bolt and reduces the risk of slipping.

### Joker 6003: Tilted ring side



The ring side is tilted at 15° to the tool axis to prevent injury.

### Web link

[https://products.wera.de/en/joker\\_6003\\_joker\\_combination\\_wrench\\_open\\_end\\_with\\_return\\_angle\\_of\\_just\\_15\\_when\\_things\\_get\\_tight\\_9641.html](https://products.wera.de/en/joker_6003_joker_combination_wrench_open_end_with_return_angle_of_just_15_when_things_get_tight_9641.html)

Wera - 9641  
05020234001 - 4013288229854

Wera Werkzeuge GmbH  
Korzter Straße 21-25  
D-42349 Wuppertal  
Tel: +49 (0)2 02 / 40 45-0  
E-Mail: [info@wera.de](mailto:info@wera.de)

## 9641 Magnetic rail 6003 Joker 2 Ring spanner set, 5 pieces

6003 Joker Combination wrench - Open end with return angle of just 15°. When things get tight.

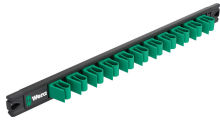
Set contents:

### 6003 Joker Combination wrench, 8 x 115 mm



05020200001	1x	8 x 115 mm
05020201001	1x	10 x 125 mm
05020204001	1x	13 x 160 mm
05020208001	1x	17 x 190 mm
05020210001	1x	19 x 230 mm

### 9610 Joker Magnetic rail, for up to 11 spanners, empty, 30 x 370 mm



05136413001	1x	30 x 370 mm
-------------	----	-------------

#### Web link

[https://products.wera.de/en/joker\\_6003\\_joker\\_combination\\_wrench\\_open\\_end\\_with\\_return\\_angle\\_of\\_just\\_15\\_when\\_things\\_get\\_tight\\_9641.html](https://products.wera.de/en/joker_6003_joker_combination_wrench_open_end_with_return_angle_of_just_15_when_things_get_tight_9641.html)

Wera - 9641  
05020234001 - 4013288229854

Wera Werkzeuge GmbH  
Korzter Straße 21-25  
D-42349 Wuppertal  
Tel: +49 (0)2 02 / 40 45-0  
E-Mail: [info@wera.de](mailto:info@wera.de)