

Milwaukee®

Nothing but **HEAVY DUTY**®



M18 FSSM

Original instructions
Originalbetriebsanleitung
Notice originale
Istruzioni originali
Manual original
Manual original
Oorspronkelijke
gebruiksaanwijzing
Original brugsanvisning
Original bruksanvisning
Bruksanvisning i original

Alkuperäiset ohjeet
Πρωτότυπο οδηγίων χρήσης
Orijinal işletme talimatı
Původním návodem k používání
Původní návod na použití
Instrukcją oryginalną
Eredeti használati utasítás
Izvirna navodila
Originalne pogonske upute
Instrukcijām oriģinālvaiodā
Originalni instrukcija

Algupärane kasutusjuhend
Оригинальное руководство
по эксплуатации
Оригинално ръководство за
експлоатация
Instrucțiuni de folosire originale
Оригинален прирачник за
работа
Оригінал інструкції з
експлуатації
التعليمات الأصلية

Technical Data, Safety Instructions, Specified Conditions of Use, Declaration of Conformity, Batteries, Maintenance, Symbols	Please read and save these instructions!	English	25
Technische Daten, Sicherheitshinweise, Bestimmungsgemäße Verwendung, CE-Konformitätserklärung, Akku, Wartung, Symbole	Bitte lesen und aufbewahren!	Deutsch	29
Caractéristiques techniques, Instructions de sécurité, Utilisation conforme aux prescriptions, Déclaration CE de Conformité, Accus, Entretien, Symboles	A lire et à conserver soigneusement	Français	34
Dati tecnici, Norme di sicurezza, Utilizzo conforme, Dichiarazione di Conformità CE, Batterie, Manutenzione, Simboli	Si prega di leggere e conservare le istruzioni!	Italiano	39
Datos técnicos, Instrucciones de seguridad, Aplicación de acuerdo a la finalidad, Declaración de Conformidad CE, Batería, Mantenimiento, Símbolos	Lea y conserve estas instrucciones por favor!	Español	44
Características técnicas, Instruções de segurança, Utilização autorizada, Declaração de Conformidade CE, Acumulador, Manutenção, Símbolo	Por favor leia e conserve em seu poder!	Português	49
Technische gegevens, Veiligheidsadviezen, Voorgeschreven gebruik van het systeem, EC-Konformiteitsverklaring, Akku, Onderhoud, Symbolen	Lees en let goed op deze adviezen!	Nederlands	54
Tekniske data, Sikkerhedshenvisninger, Tiltænk formål, CE-Konformitetserklæring, Batteri, Vedligeholdelse, Symboler	Vær venlig at læse og opbevare!	Dansk	59
Tekniske data, Spesielle sikkerhetshenvisninger, Formålsmessig bruk, CE-Samsvarserklæring, Batterier, Vedlikehold, Symboler	Vennligst les og oppbevar!	Norsk	63
Tekniska data, Säkerhetsutrustning, Använd maskinen Enligt anvisningarna, CEFörsäkran, Batterier, Skötsel, Symboler	Läs igenom och spara!	Svenska	67
Tekniset arvot, Turvallisuusohjeet, Tarkoituksenmukainen käyttö, Todistus CE-standardinmukaisuudesta, Akku, Huolto, Symbolit	Lue ja säilytä!	Suomi	71
Τεχνικά στοιχεία, Ειδικές υποδείξεις ασφαλείας, Χρήση σύμφωνα με το σκοπό προοριζομένου, Δήλωση πιστότητας ΕΚ, Μπαταρίες, Συντήρηση, Σύμβολα.	Παρακαλούμε να τις διαβάσετε και να τις φυλάξετε!	Ελληνικά	75
Teknik veriler, Güvenliğiniz için talimatlar, Kullanım, CE uygunluk beyanice, Akü, Bakım, Semboller	Lütfen okuyun ve saklayın	Türkçe	80
Technická data, Speciální bezpečnostní upozornění, Oblast využití, Ce-prohlášení o shodě, Akumulátory, Údržba, Symboly	Po přečtení uschovejte	Česky	85
Technické údaje, Špeciálne bezpečnostné pokyny, Použitie podľa predpisov, CE-Vyhľadanie konformity, Akumulátory, Údržba, Symboly	Prosím prečítať a uschovať!	Slovensky	89
Dane techniczne, Specjalne zalecenia dotyczące bezpieczeństwa, Użytkowanie zgodne z przeznaczeniem, Świadcтво zgodności ce, Baterie Akumulatorowe, Utrzymanie, Symbole	Należy uważnie przeczytać i zachować do wglądu!	Polski	93
Műszaki adatok, Különleges biztonsági tudnivalók, Rendeltetésszerű használat, A-azonossági nyilatkozat, Akuk, Karbantartás, Szimbólumok	Olvassa el és őrizze meg	Magyar	98
Tehnični podatki, Specialni varnostni napotki, Uporaba v skladu z namembnostjo, Ce-izjava o konformnosti, Akumulatorji, Vzdrževanje, Simboli	Prosimo preberite in shranite!	Slovensko	103
Tehnički podaci, Specijalne sigurnosne upute, Propisna upotreba, CE-Izjava konformnosti, Baterije, Održavanje, Simboli	Molimo pročitati i sačuvati	Hrvatski	107
Tehniskie dati, Speciālie drošības noteikumi, Noteikumiem atbilstošs izmantojums, Atbilstība CE normām, Akumulātori, Apkope, Simboli	Lūdzu, izlasīt un uzglabāt!	Latviski	111
Techniniai duomenys, Ypatingos saugumo nuorodos, Naudojimas pagal paskirti, CE Atitikties pareiškimas, Akumulatoriai, Techninis aptarnavimas, Simboliai	Prašome perskaityti ir neišmesti!	Lietuviškai	115
Tehnilised andmed, Spetsiaalsed turvajuhtised, Kasutamise vastavalt otstarbele, EÜ Vastavusavaldus, Akud, Hooldus, Sümbolid	Palun lugege läbi ja hoidke alal!	Eesti	119
Технические данные, Указания по безопасности, Использование, Декларация о соответствии стандартам ЕС, Аккумулятор, Обслуживание, Символы	Пожалуйста прочтите и сохраните эту инструкцию.	Русский	123
Технически данни, Специални указания за безопасност, Използване по предназначение, CE - Декларация за съответствие, Аккумулятори, Поддръжка, Символи	Моля прочетете и запазете!	Български	128
Date tehnice, Instrucțiuni de securitate, Condiții de utilizare specifice, Declarație de conformitate, Acumulatori, Întreținere, Simboluri	Va rugăm citiți și păstrați aceste instrucțiuni	Română	133
Технички податоци, Упатства за употреба, Специфицирани услови на употреба, ЕУ- декларација за Сообразност, Батерии, Одржување, Символи	Ве молиме прочитајте го и чувајте го ова упатство!	Македонски	138
Технічні характеристики, Вказівки з Техніки Безпеки, Використання за призначенням, Сертифікат Відповідності Вимогам ЄС, Акумуляторні батареї, Обслуговування, Символи	Прочитайте та збережіть цю інструкцію.	Українська	143
البيانات الفنية، تعليمات السلامة، شروط الاستخدام المحددة، البطاريات، إعلان المطابقة - الاتحاد الأوروبي، الصيانة، الرموز	يُرجى قراءة وحفظ هذه التعليمات!	العربية	151





4



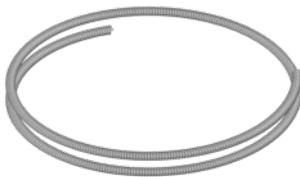
5



23

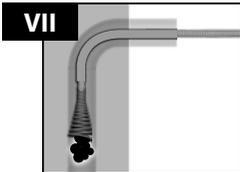
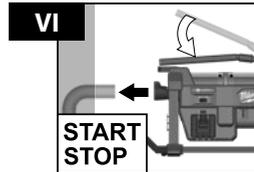
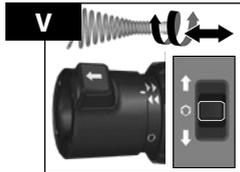
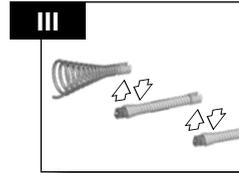
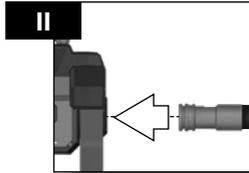
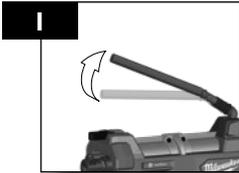


5



5



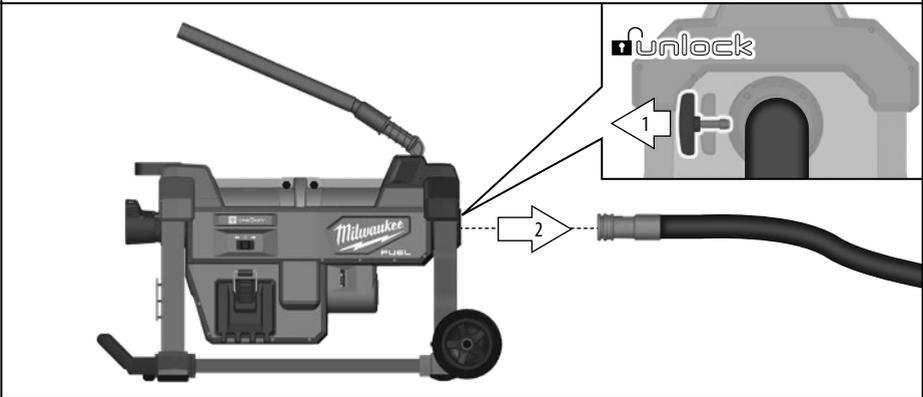
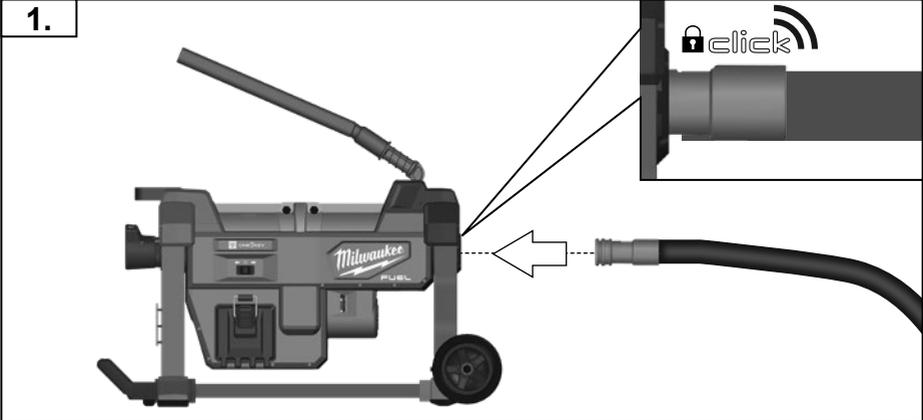
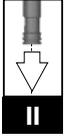
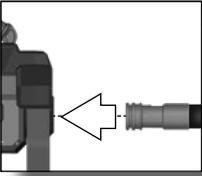


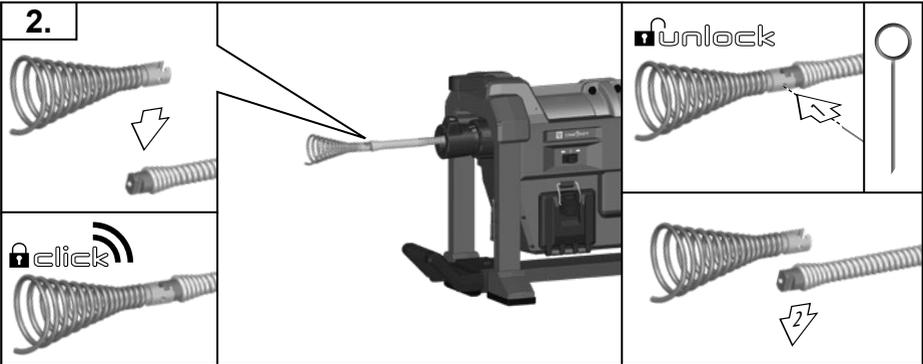
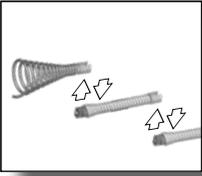
Accessory
Zubehör
Accessoires
Accessório

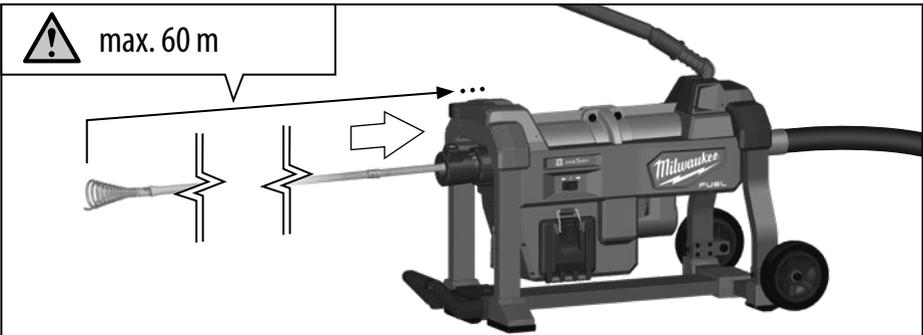
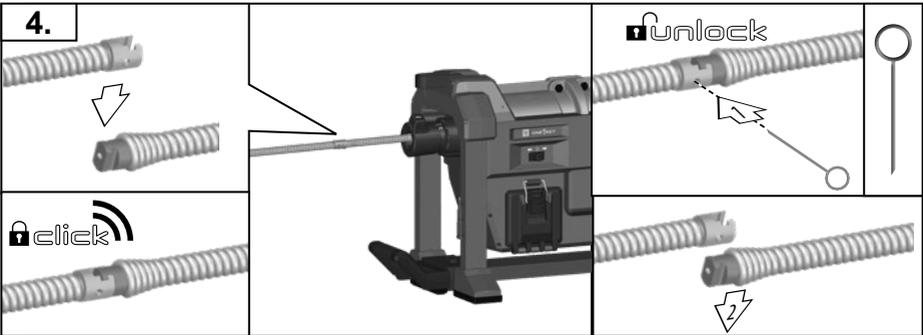
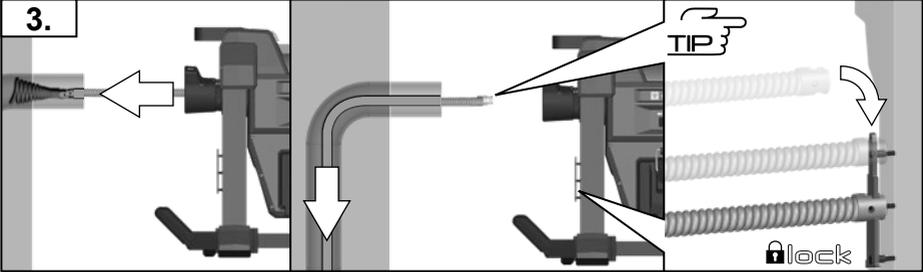
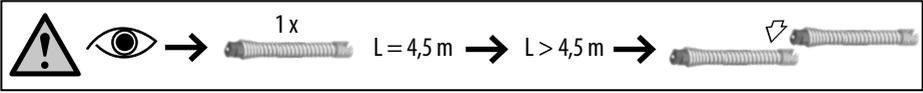
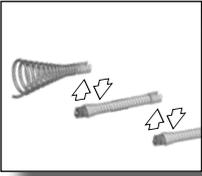
Accessorio • Acessório
 Toebehoren • Tilbehør
 Tilbehør • Tillbehör
 Lisälaite • Εξαρτήματα
 Aksesuar • Прислуєнствн
 Prislusēnstv • Wyposażenie
 Azokát a tartozékokat
 Oprema • Piederumi
 Priedas • Tarvikud
 Дополнитель • Аксесоари
 Accessoriu • ополнителна
 опрема • Комплектуочи
 الملحق

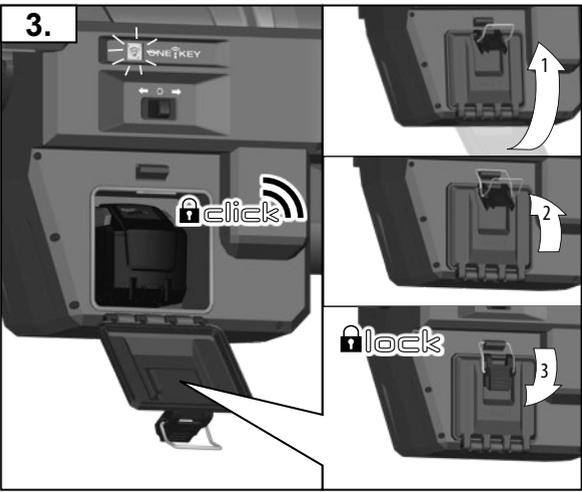
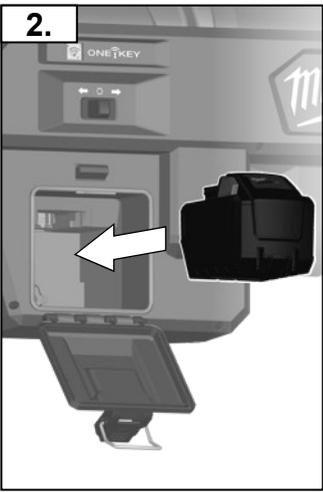
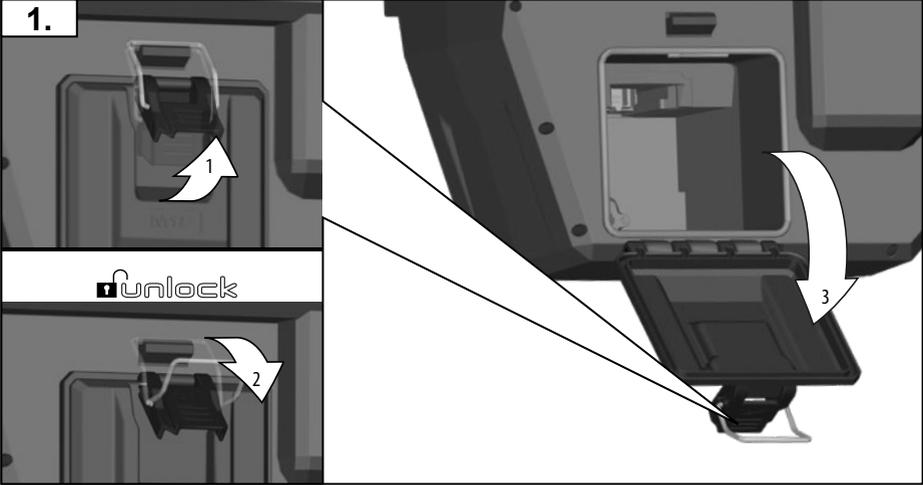


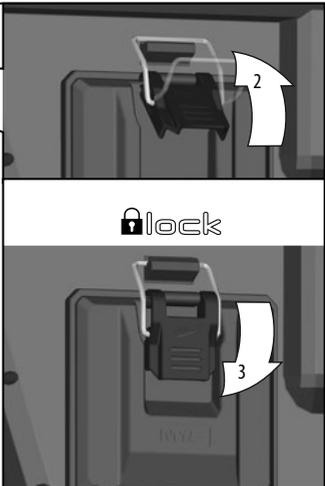
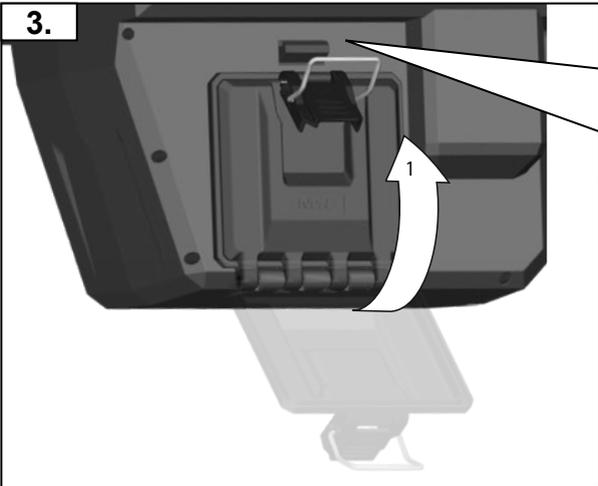
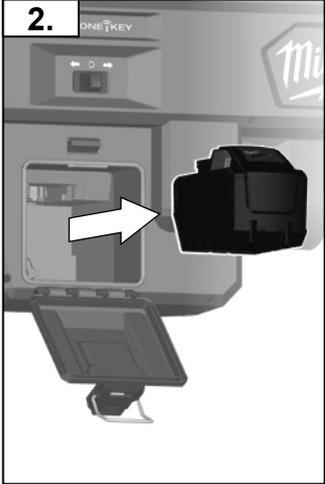
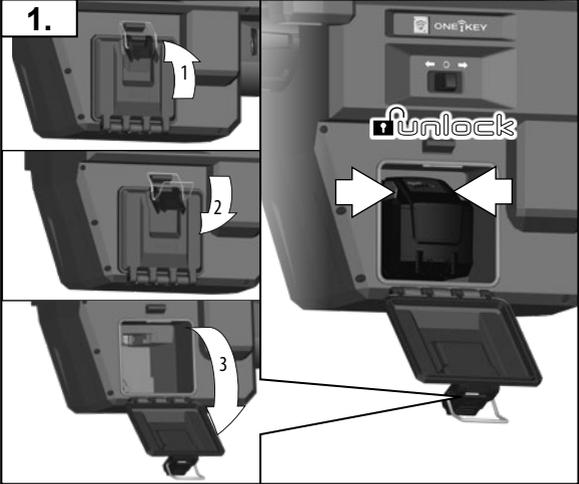


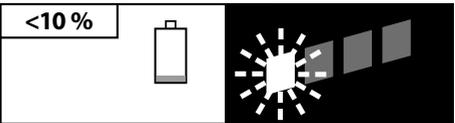
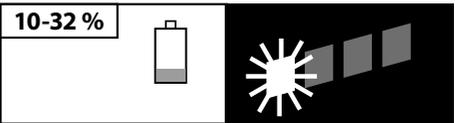
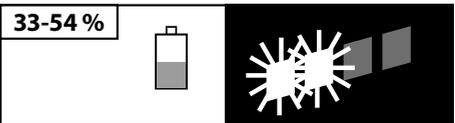
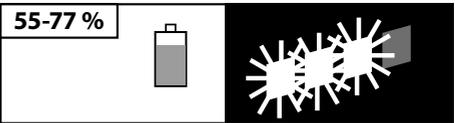
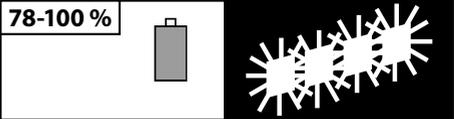
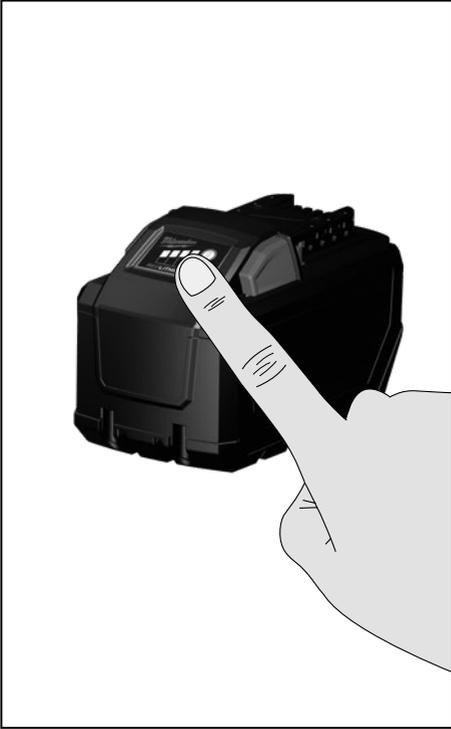




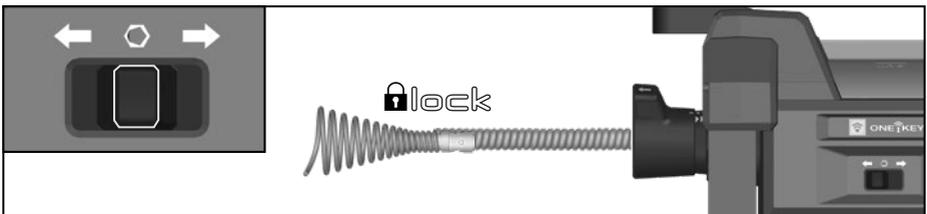
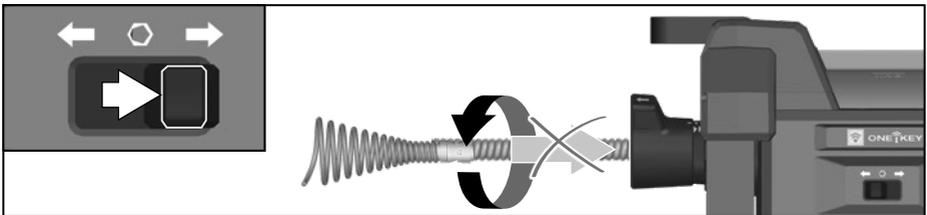
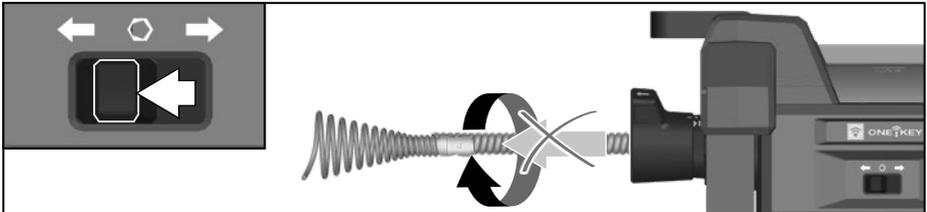
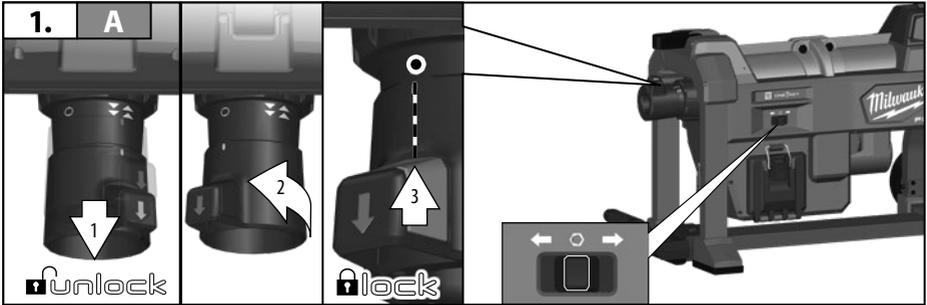
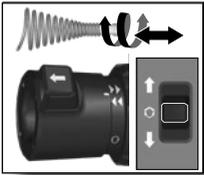


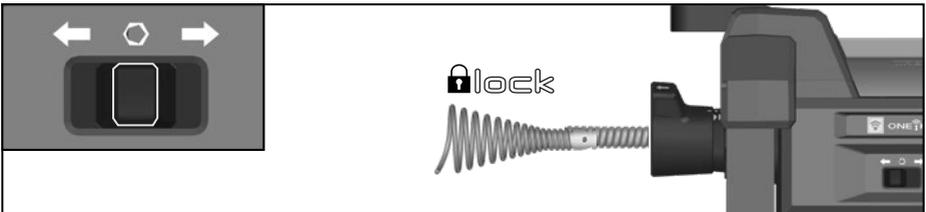
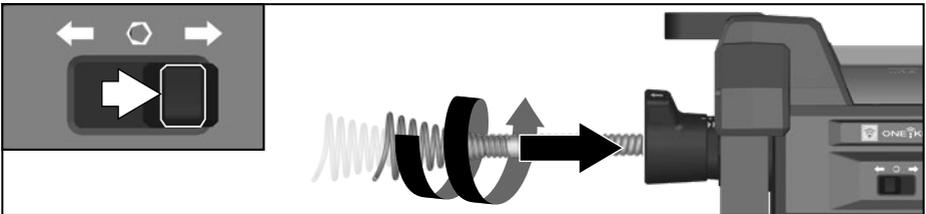
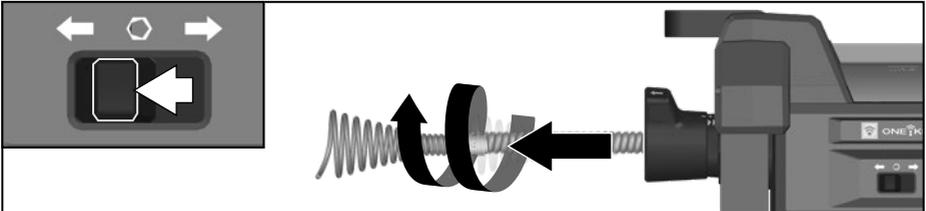
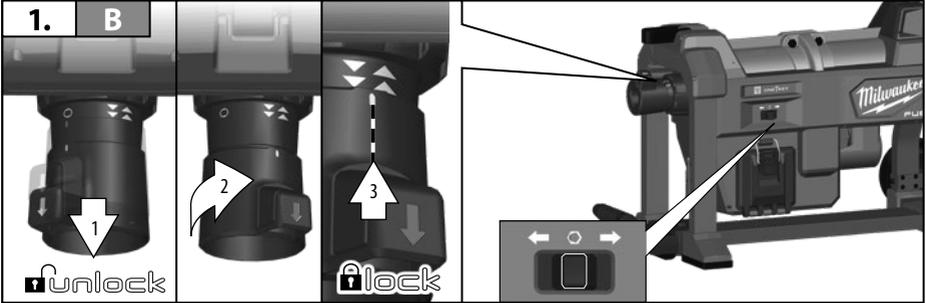
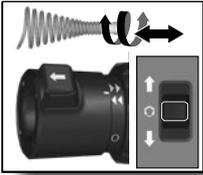


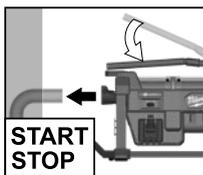




IV







START
STOP

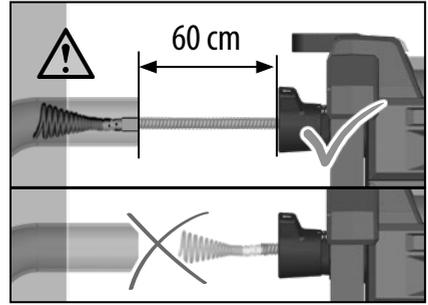
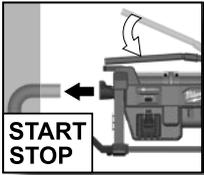


Insulated gripping surface

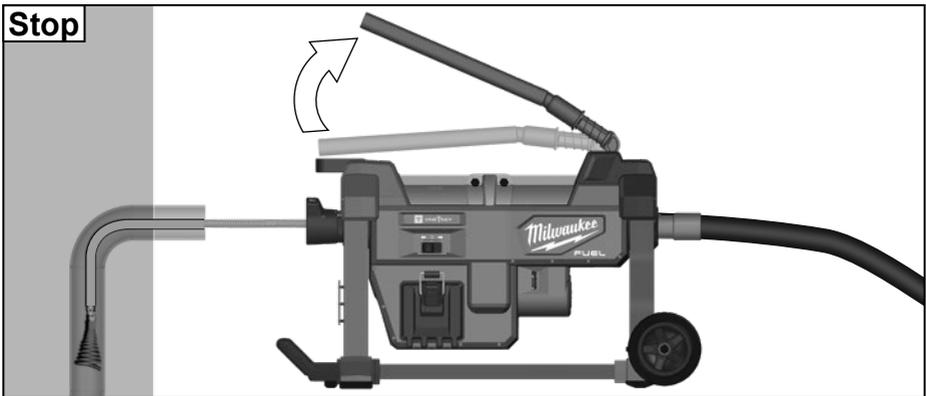
Isolierte Grifffläche
Surface de prise isolée
Superficie di presa isolata
Superficie de agarre con aislamiento
Superficie de pega isolada
Geïsoleerde handgrepen
Isolerede gripeflader
Isolert gripeflate
Isolerad greppyta

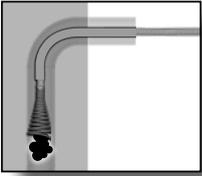
Eristetty tarttumapinta
Μονωμένη επιφάνεια λαβής
İzolasyonlu tutma yüzeyi
Izolovaná uchořovací plocha
Izolovaná úchopná plocha
Izolowana powierzchnia uchwytu
Szigetelt fogófelület
Izolirana prijemalna površina
Izolirana površina za držanje
Izolēta satveršanas virsma

Izoliuotas rankenos paviršius
Isoleeritud pideme piirkond
Изолированная поверхность ручки
Изолирана повърхност за хващане
Suprafață de prindere izolată
Изолирана површина на дршката
Изољована поврхња ручки
مساحة المقبض معزولة



**START
STOP**





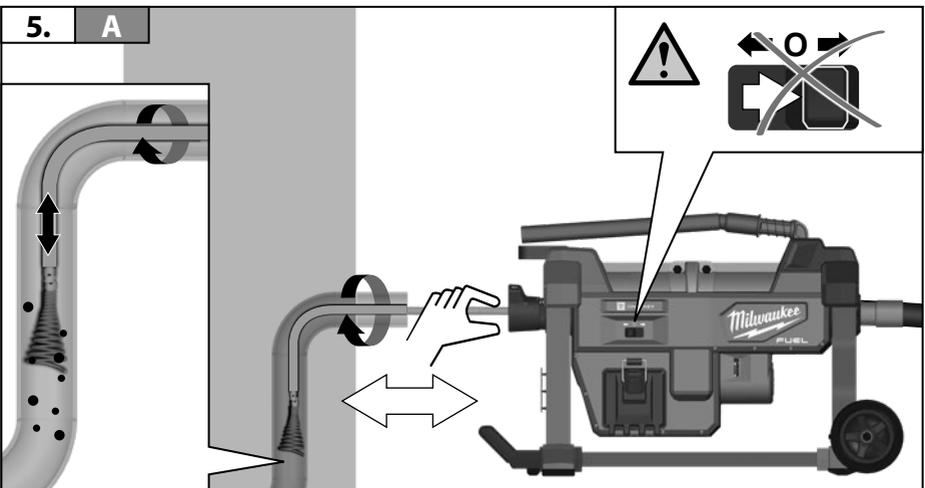
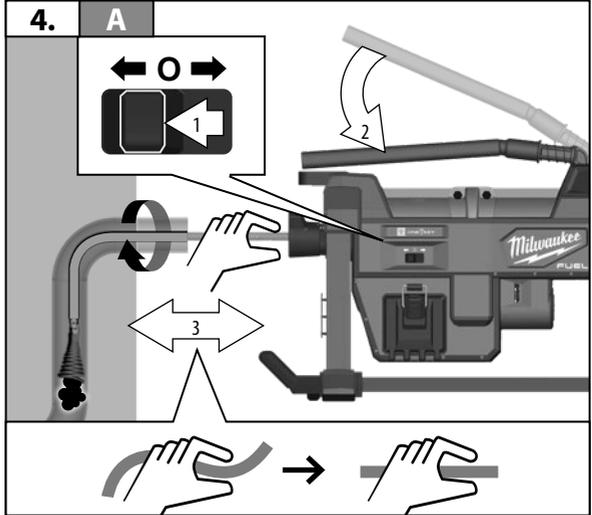
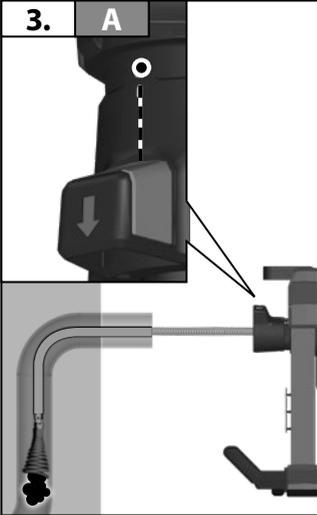
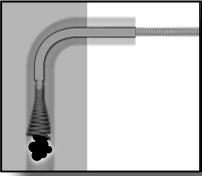
1.

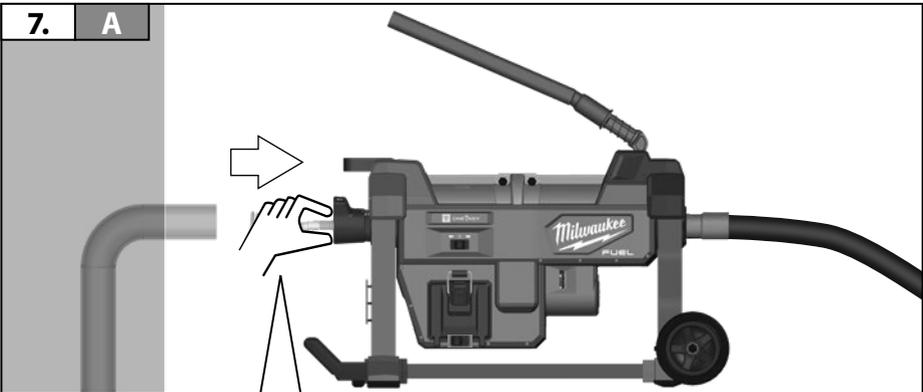
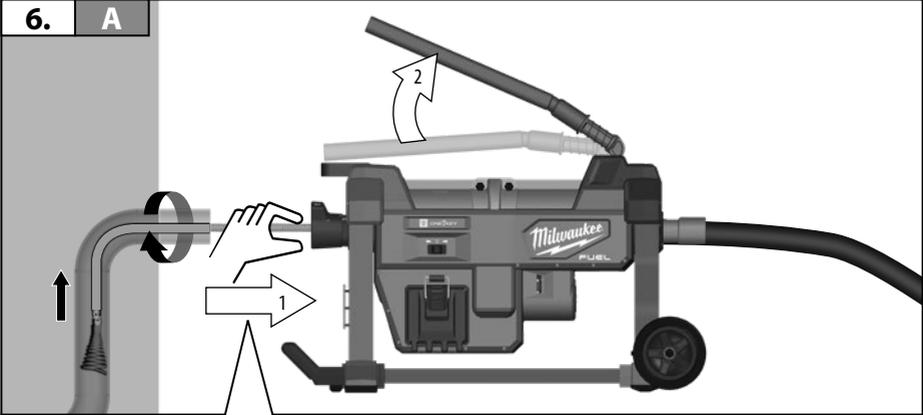
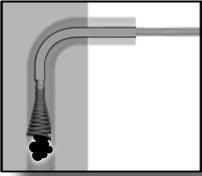
Max. 60 cm

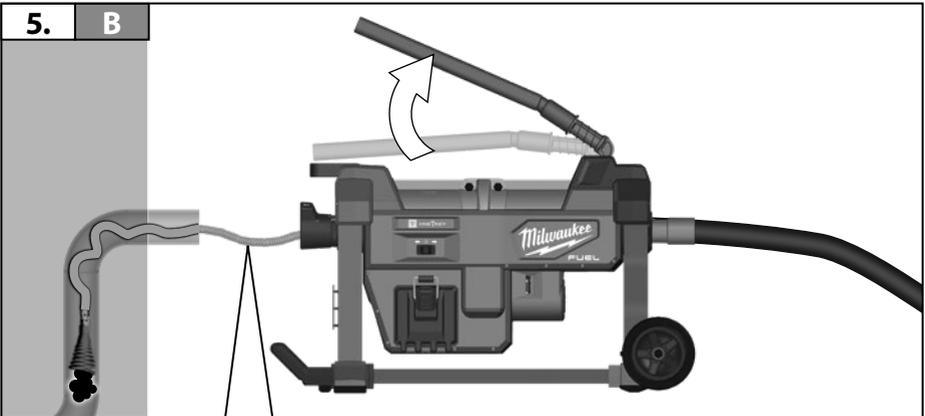
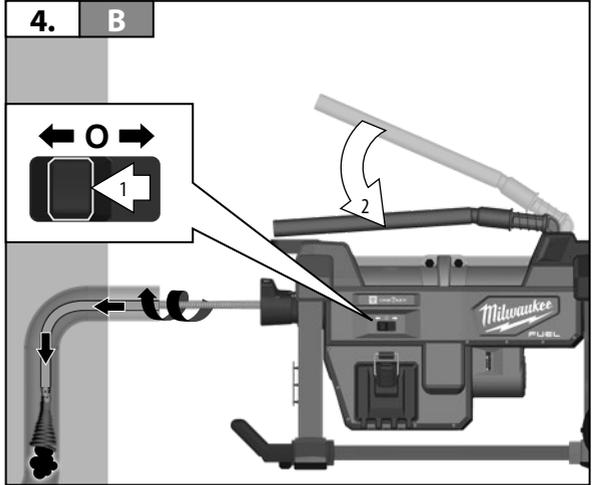
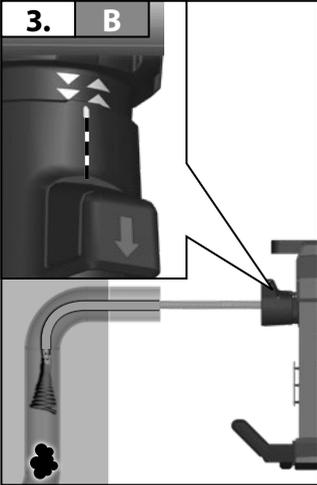
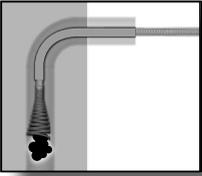


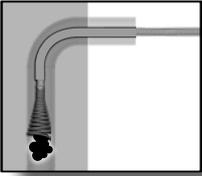
2.



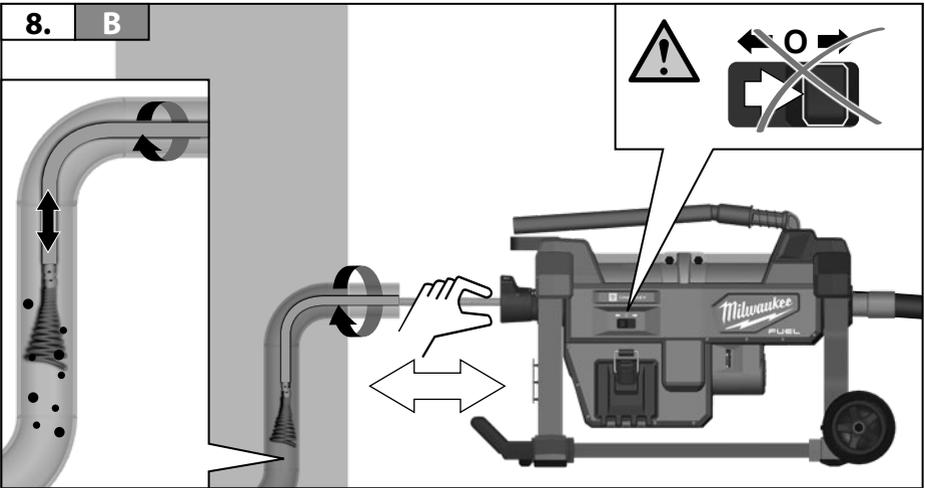
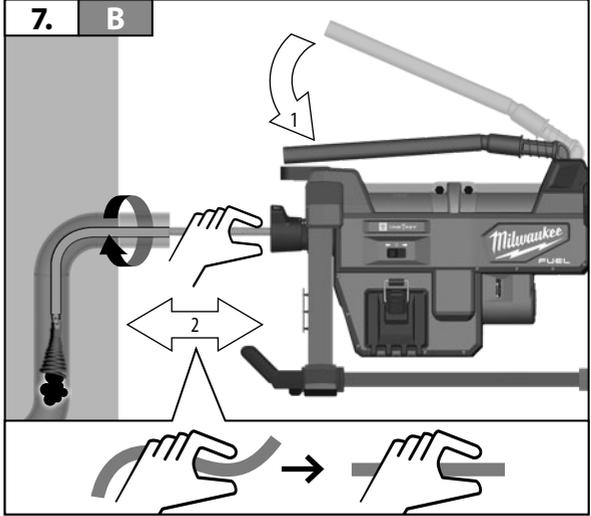
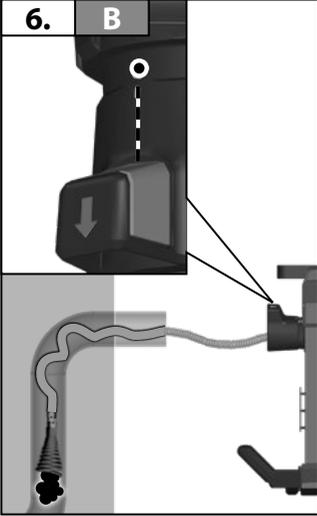


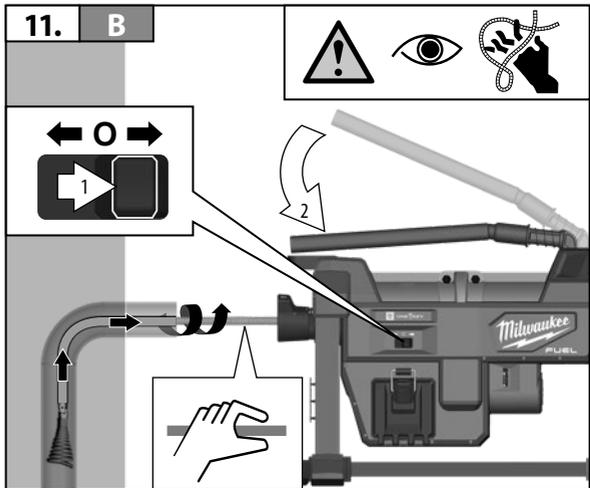
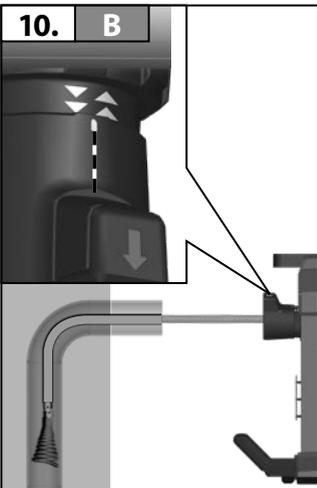
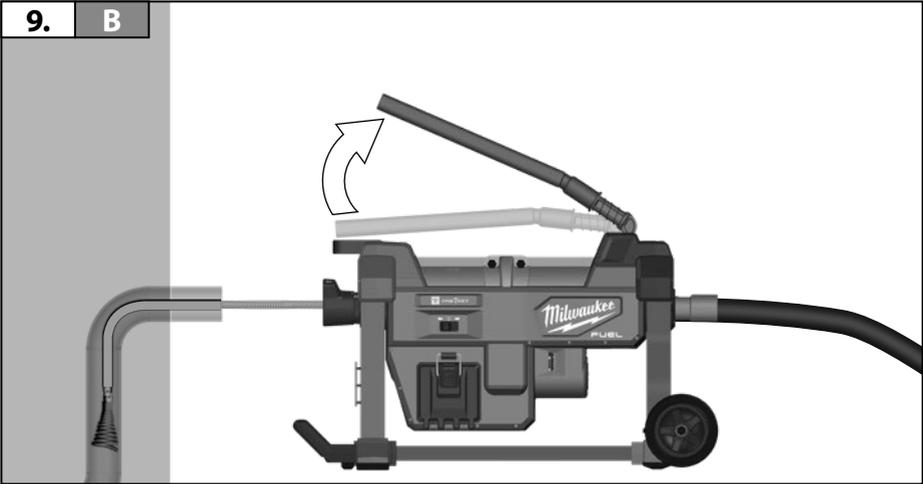
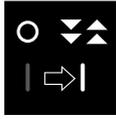
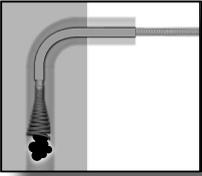


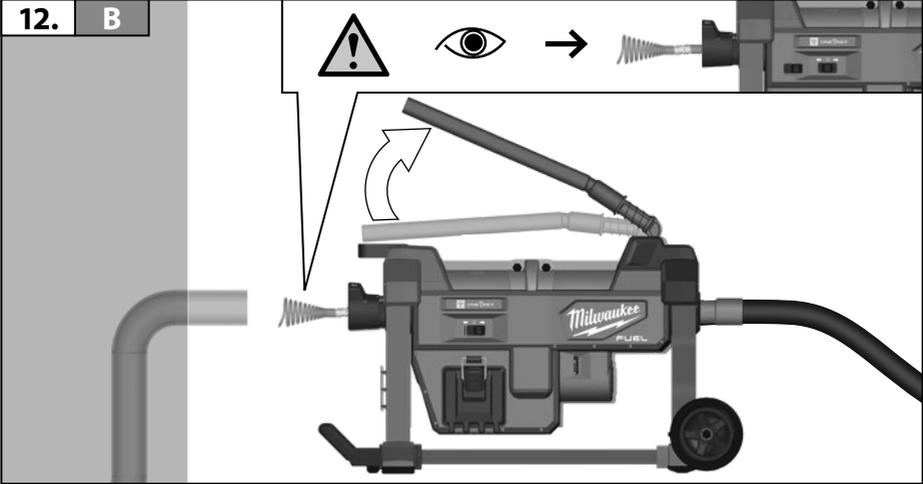
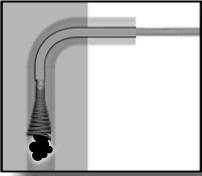


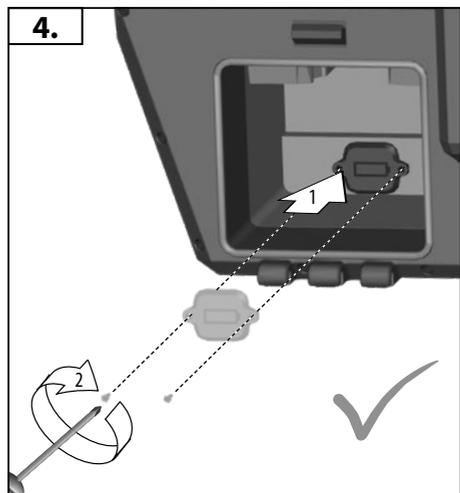
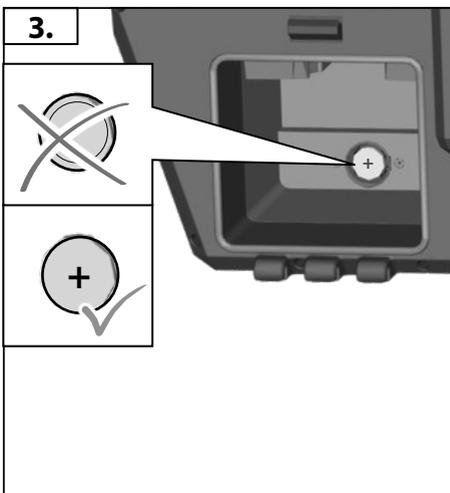
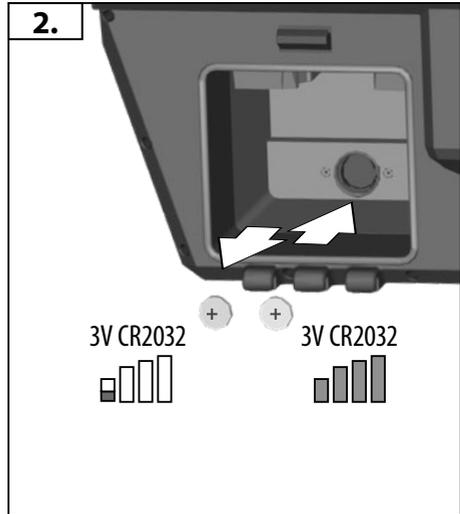
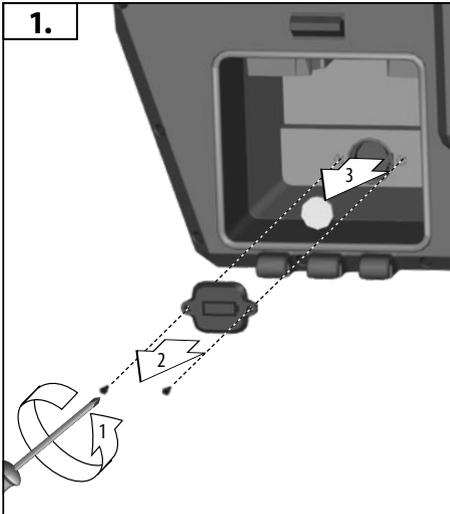
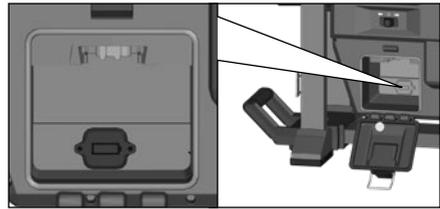


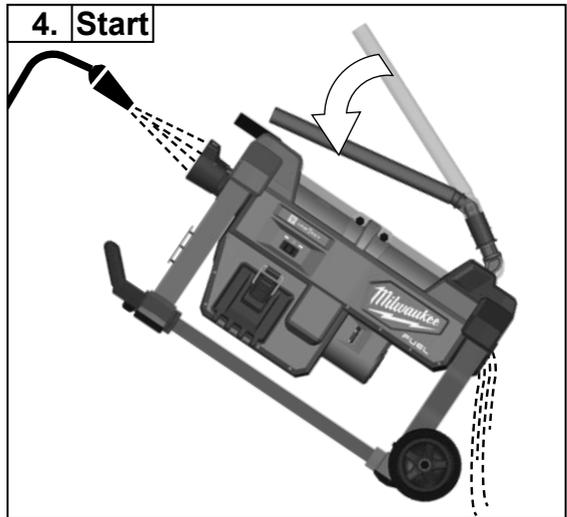
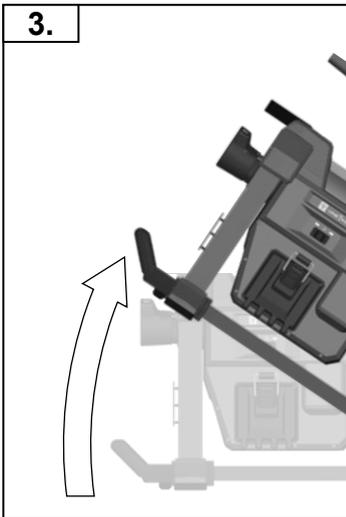
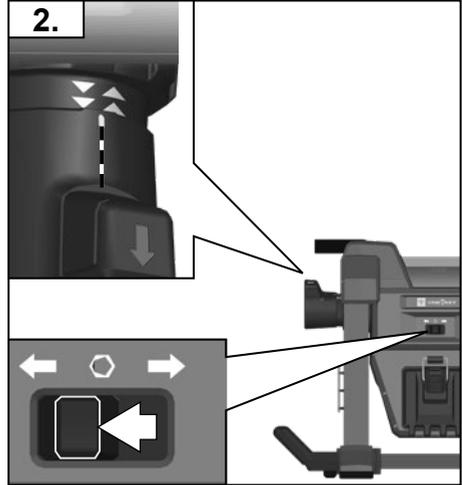
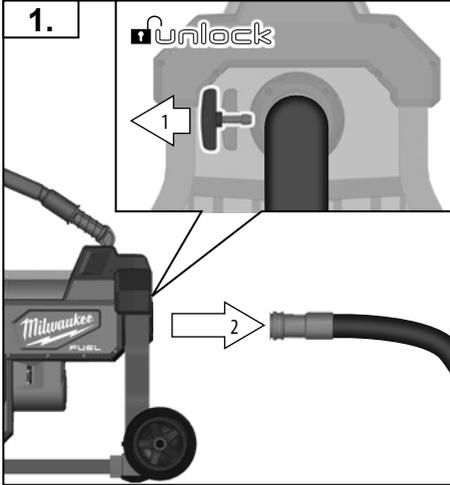
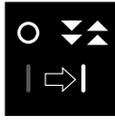
VII

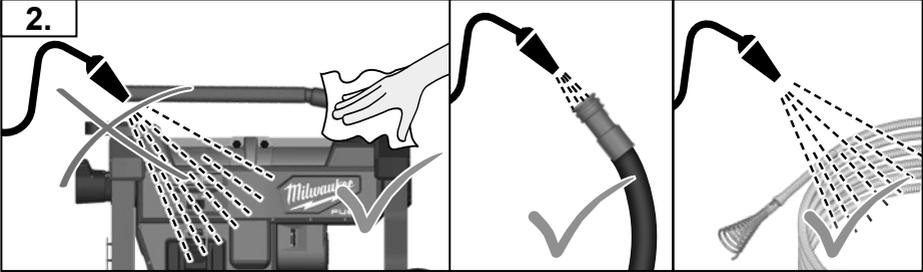
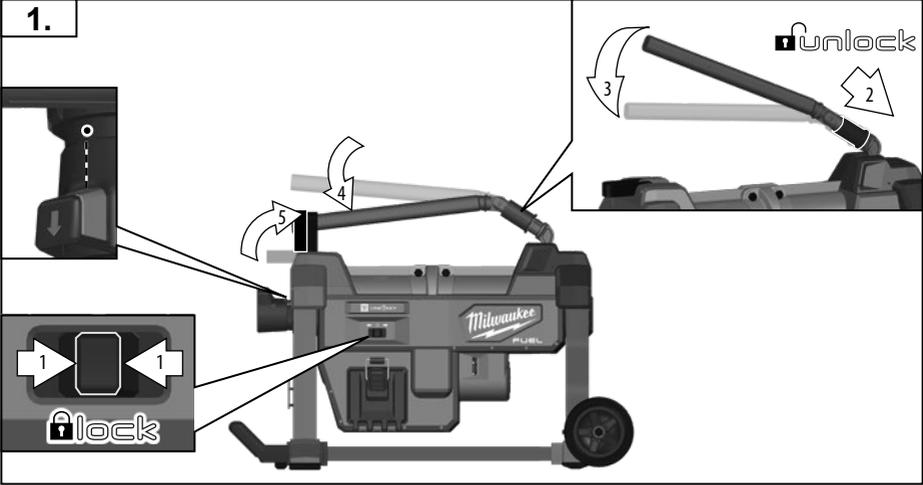


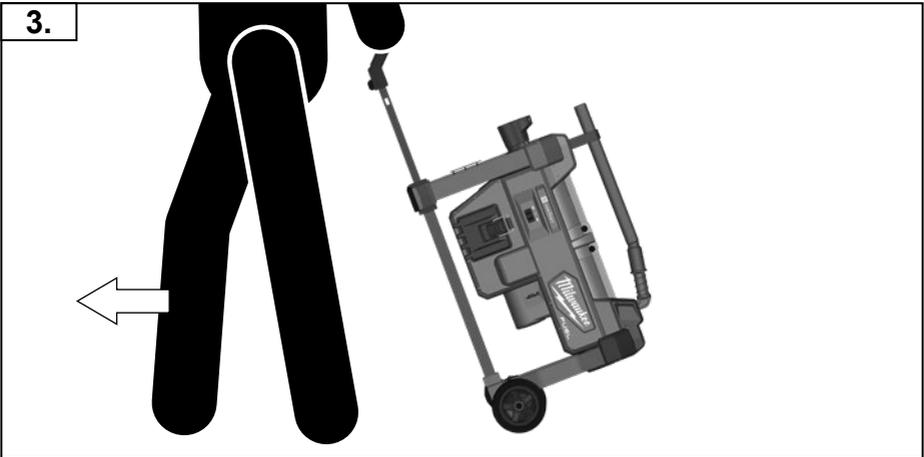
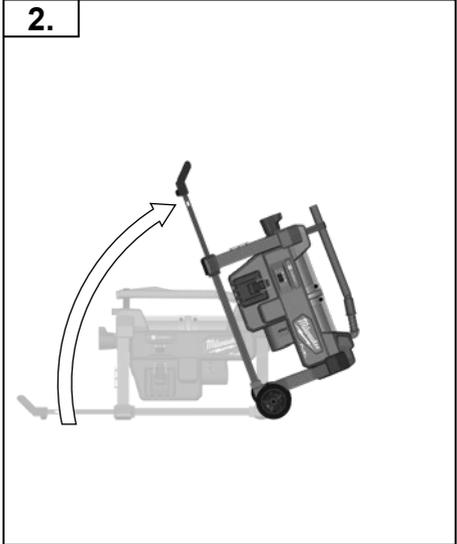












Technical Data Sectional Sewer Machine	M18 FSSM
Production code	4749 26 02... ... 000001-999999
Battery voltage	18 V \equiv
No-load speed n_0	0 - 700 min ⁻¹
Frequency band(s) of Bluetooth	2402-2480 MHz
Radio-frequency power	1,8 dBm
Bluetooth version	4,0 BT signal mode
Feed / retract speed max.	31 cm/s
Drain cleaner cable size	\varnothing 22 mm (7/8") & \varnothing 32 mm (1 1/4")
Drain cleaner sectional cable length	4,5 m
Drain cleaner cable length max.	60 m
Recommended Pipe Diameter	\varnothing 50 - 200 mm
Pilot Tube/Guide Hose length	3500 mm
Pilot Tube/Guide Hose size	\varnothing 50 mm
Weight according EPTA-Procedure 01/2014 (with Battery Li-Ion 12,0 Ah)	33,32 kg
Weight without Batterie, Drain Cable and Guiding hose	31,75 kg
Weight without Batterie but with Guiding hose	37,55 kg
Recommended Ambient Operating Temperature	-18°C ... +50°C
Recommended battery types	M18HB...; M18B...
Recommended charger	M12-18...; M1418C6
Noise information	
Measured values determined according to EN 62841. Typically, the A-weighted noise levels of the tool are:	
Sound pressure level (Uncertainty K=3dB(A))	69,21 dB (A)
Sound power level (Uncertainty K=3dB(A))	80,21 dB (A)
Wear ear protectors!	



WARNING

The noise emission level given in this information sheet has been measured in accordance with a standardized test given in EN 62841 and may be used to compare one tool with another. It may be used for a preliminary assessment of exposure.

The declared noise emission level represents the main applications of the tool. However if the tool is used for different applications, with different accessories or poorly maintained, noise emission may differ. This may significantly increase the exposure level over the total working period.

An estimation of the level of exposure to noise should also take into account the times when the tool is switched off or when it is running but not actually doing the job. This may significantly reduce the exposure level over the total working period.

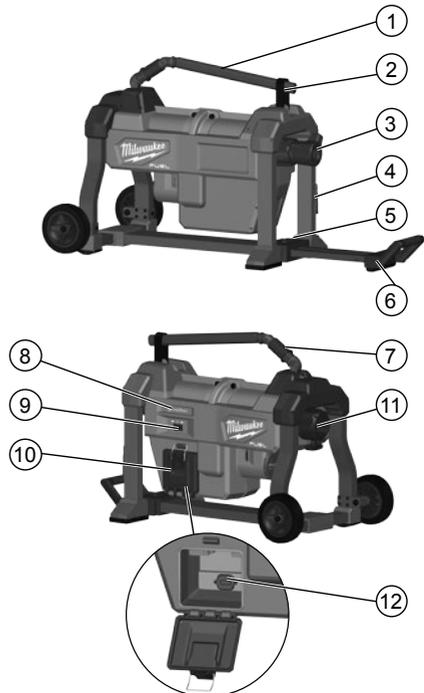
Identify additional safety measures to protect the operator from the effects of noise such as: maintain the tool and the accessories and organization of work patterns.

Wear ear protectors. Exposure to noise can cause hearing loss.

⚠ WARNING! Read all safety warnings, instructions, illustrations and specifications provided with this power tool. Failure to follow all instructions listed below may result in electric shock, fire and/or serious injury. **Save all warnings and instructions for future reference.**

Device description

- | | |
|-------------------------|------------------------------|
| ① Lever arm | ⑦ Lever arm collar |
| ② Carry hook | ⑧ ONE-KEY™ indicator |
| ③ Feed collar | ⑨ Forward/Off/Reverse |
| ④ Cable hook | ⑩ Battery door |
| ⑤ Handle release button | ⑪ Rear guide hose connection |
| ⑥ Telescoping handle | ⑫ ONE-KEY battery door |



DRAIN CLEANER SAFETY WARNINGS

Always use the rear guide hose while operating the tool and ensure the cable does not extend beyond the rear guide hose. This prevents the cable from whipping which may result in entanglement and personal injury.

Only use the drain cleaner for the recommended drain sizes. Using the wrong size drain cleaner can lead to twisting, kinking or breaking of the cable and may result in personal injury.

Only grasp the rotating cable with gloves recommended by the manufacturer. Latex or loose fitting gloves or rags can become wrapped around the cable and may result in serious personal injury.

Do not allow the cutter to stop turning while the cable is turning. This can overstress the cable and may cause twisting, kinking or breaking of the cable and may result in serious personal injury.

Use latex or rubber gloves inside the gloves recommended by the manufacturer, goggles, face shields, protective clothing, and respirator when chemicals, bacteria or other toxic or infectious substances are suspected to be in a drain line. Drains may contain chemicals, bacteria and other substances that may cause burns, be toxic or infectious or may result in other serious personal injury.

Practice good hygiene. Do not eat or smoke while handling or operating the tool. After handling or operating drain cleaning equipment, use hot, soapy water to wash hands and other body parts exposed to drain contents. This will help reduce the risk of health hazards due to exposure to toxic or infectious material.

Additional Safety and Working Instructions

Keep a gloved hand on the cable whenever the tool is running. This provides better control of the cable and helps prevent twisting, kinking or breaking of the cable and may result in serious personal injury.

Inspect cable for wear and damage before use. Replace a worn or damaged cable before using the drain cleaner.

Do not twist, kink or over bend cables. Breaking of the cable may result in serious personal injury.

Inspect the drain to be cleaned before use. If possible, determine the access point(s) to the drain, the size(s) and length(s) of the drain, distance to mainlines, the nature of the blockage, presence of drain cleaning chemicals or other chemicals, etc. If chemicals are present in the drain, it is important to understand the specific safety measures required to work around those chemicals. Contact the chemical manufacturer for required information.

Do not operate this tool if the user or tool is standing in water. Operating the tool while in water increases the risk of electric shock.

If needed, place protective covers in the work area. The drain cleaning process can be messy.

Make sure cable is fully retracted outside of the drain cleaner. This will prevent whipping at start up.

Place the drain cleaner at a distance no greater than 60 cm from drain opening. If the drain cleaner cannot be placed within two feet from the drain opening, the drain opening will need to be extended using a similar size pipe and fittings. Greater distances can cause control problems leading to twisting, kinking or breaking of the cable.

One person must control both the trigger switch and cable. If the tool stops rotating, the user must be able to turn the tool off to prevent twisting, kinking, breaking or whipping of the cable.

Do not operate the drain cleaner in reverse rotation except as described in this manual. Running the tool in reverse for extended periods can cause damage to the cable and accessories.

Always use common sense and be cautious when using tools.

It is not possible to anticipate every situation that could result in a dangerous outcome. Do not use this tool if you do not understand these

operating instructions or you feel the work is beyond your capability; contact Milwaukee Tool or a trained professional for additional information or training.

Maintain labels and nameplates. These carry important information. If unreadable or missing, contact a MILWAUKEE service facility for a free replacement.

WARNING! Some dust created by power sanding, sawing, grinding, drilling, and other construction activities contains chemicals known to cause cancer, birth defects or other reproductive harm. Some examples of these chemicals are:

- lead from lead-based paint
- crystalline silica from bricks and cement and other masonry products, and
- arsenic and chromium from chemically-treated lumber.

Your risk from these exposures varies, depending on how often you do this type of work.

To reduce your exposure to these chemicals: work in a well ventilated area, and work with approved safety equipment, such as those dust masks that are specially designed to filter out microscopic particles.

Use protective equipment. Always wear safety glasses when working with the machine. The use of protective clothing is recommended, such as dust mask, protective gloves, sturdy non-slip footwear, helmet and ear defenders.

The dust produced when using this tool may be harmful to health. Do not inhale the dust. Wear a suitable dust protection mask.

Do not machine any materials that present a danger to health (e.g. asbestos).

Switch the device off immediately if the insertion tool stalls! Do not switch the device on again while the insertion tool is stalled, as doing so could trigger a sudden recoil with a high reactive force. Determine why the insertion tool stalled and rectify this, paying heed to the safety instructions.

Remove the battery pack before starting any work on the appliance.

Do not dispose of used battery packs in the household refuse or by burning them. Milwaukee Distributors offer to retrieve old batteries to protect our environment.

Do not store the battery pack together with metal objects (short circuit risk).

Battery acid may leak from damaged batteries under extreme load or extreme temperatures. In case of contact with battery acid wash it off immediately with soap and water. In case of eye contact rinse thoroughly for at least 10 minutes and immediately seek medical attention.

To reduce the risk of fire, personal injury, and product damage due to a short circuit, never immerse your tool, battery pack or charger in fluid or allow a fluid to flow inside them. Corrosive or conductive fluids, such as seawater, certain industrial chemicals, and bleach or bleach containing products, etc., Can cause a short circuit.

Use only System M18 chargers for charging System M18 battery packs. Do not use battery packs from other systems.

Never break open battery packs and chargers and store only in dry rooms. Keep dry at all times.

WARNING

 This device contains a button-type/coin cell lithium battery. A new or used battery can cause severe internal burns and lead to death in as little as 2 hours if swallowed or if it enters the body. Always secure the cover on the battery compartment. If it does not close securely, stop the device, remove the battery and keep it out of reach of children. If you believe that someone has swallowed the battery or that it has otherwise entered the body, seek immediate medical attention.

SPECIFIED CONDITIONS OF USE

The Sectional Sewer machine is a drain cleaning machine used to clean secondary drain lines, such as found in kitchens, bathrooms and utility rooms.

ONE-KEY™

To learn more about the ONE-KEY functionality of this tool, please refer to the Quick Start guide included with this product or go to <http://www.milwaukeeetool.com/one-key>

To download the ONE-KEY app, visit the App Store or Google Play from your smart device. We considered the result to be within our minimum acceptable performance level according to EN 301 489-1/ EN 301 489-17. And we will give the operation guidance to the customer in user manual.

ONE-KEY™ indicator	
Solid Blue	Wireless mode is active and ready to be configured via the ONE-KEY™ app.
Blinking Blue	Tool is actively communicating with the ONE-KEY™ app.
Blinking Red	Tools is in security lockout and can be unlocked by the owner via the ONE-KEY™ app.

BATTERIES

Battery packs which have not been used for some time should be recharged before use.

Temperatures in excess of 50°C (122°F) reduce the performance of the battery pack. Avoid extended exposure to heat or sunshine (risk of overheating).

The contacts of chargers and battery packs must be kept clean.

For an optimum life-time, the battery packs have to be fully charged, after use.

To obtain the longest possible battery life remove the battery pack from the charger once it is fully charged.

For battery pack storage longer than 30 days: Store the battery pack where the temperature is below 27°C and away from moisture Store the battery packs in a 30% - 50% charged condition Every six months of storage, charge the pack as normal.

TRANSPORTING LITHIUM BATTERIES

Lithium-ion batteries are subject to the Dangerous Goods Legislation requirements.

Transportation of those batteries has to be done in accordance with local, national and international provisions and regulations.

The user can transport the batteries by road without further requirements.

Commercial transport of Lithium-Ion batteries by third parties is subject to Dangerous Goods regulations. Transport preparation and transport are exclusively to be carried out by appropriately trained persons and the process has to be accompanied by corresponding experts.

When transporting batteries:

Ensure that battery contact terminals are protected and insulated to prevent short circuit. Ensure that battery pack is secured against movement within packaging. Do not transport batteries that are cracked or leak. Check with forwarding company for further advice

BATTERY PACK PROTECTION

In extremely high torque, binding, stalling and short circuit situations that cause high current draw, the tool will vibrate for about 5 seconds, the fuel gauge will flash, and then the tool will turn OFF.

To reset, release the trigger.

Under extreme circumstances, the internal temperature of the battery pack could raise too much. If this happens, the fuel gauge will flash until the battery pack cooled down. After the lights go off, the work may continue.

Place the battery on the charger to charge and reset it.

ADDITIONAL HINTS FOR OPERATION

For normal operation see picture section.

Continue to feed the cable into the drain using a back and forth motion until the obstruction is cleared.

NOTE: If the tool binds, release pressure from the foot pedal immediately.

To unbind drain cleaner:

1. Turn the forward/off/reverse switch to the reverse position and rotate the feed collar to Spin 0.
2. Withdraw the tool a few centimeters while in reverse to free the cable.
3. Stop the tool.
4. After the tool has come to a complete stop, switch forward/off/reverse switch back to the forward position.

CAUTION Extended operation of the tool in reverse can cause damage to the cable and accessories.

If it is hard to get the cable through a trap or other fitting, the following methods or combination of methods can be used.

1. Sharp downward thrusts on the cable, both with and without the cable rotating, can help the cable through a trap.
2. With the lever arm released, rotating the cable by hand can change the orientation of the cutter to allow it to more easily negotiate the fitting.
3. Run the drain cleaner in REV rotation for several seconds while pushing down on the cable. Only do this long enough to get the cable started through the trap. Running the cable in reverse can damage the cable.

If these options do not work, consider using a smaller diameter or more flexible cable.

CABLE INSTALLATION

For cable installation see picture section.

WARNING! Cable is under pressure and can recoil unexpectedly during installation, which may result in personal injury. To reduce the risk of injury, wear safety goggles or glasses with side shields.

Always wear leather gloves.

Read operator's manual. Use protective equipment.

Chemicals, bacteria and other substances that may cause burns, be toxic or infectious may be present.

Use hot, soapy water to wash hands after handling.

MAINTENANCE

Remove the battery pack before starting any work on the appliance.

Wash and wipe the exposed cable with a rag. Push the exposed cable back into the drum.

Before storing the drain cleaner, remove the full length of the cable. Coil it loosely and clean.

Use only Milwaukee accessories and Milwaukee spare parts. Should components need to be replaced which have not been described, please contact one of our Milwaukee service agents (see our list of guarantee/service addresses).



If needed, an exploded view of the tool can be ordered. Please state the Article No. as well as the machine type printed on the label and order the drawing at your local service agents or directly at: Techtronic Industries GmbH, Max-Eyth-Straße 10, 71364 Winnenden, Germany.

EC-DECLARATION OF CONFORMITY

We declare under our sole responsibility that the product described under "Technical Data" fulfills all the relevant provisions of the directives:

2011/65/EU (RoHS)

2006/42/EC

2014/30/EU

2014/53/EU

and the following harmonized standards have been used.

EN 62841-1:2015

EN 62841-3-14:2017

EN 55014-1:2017+A11:2020

EN 55014-2:2015

EN 62479:2010

EN 300 328 V2.2.2

EN 301 489-1 V2.2.3

EN 301 489-17 V3.1.1

EN IEC 63000:2018



Winnenden. 2020-11-17

Alexander Krug / Managing Director
Authorized to compile the technical file
Techtronic Industries GmbH
Max-Eyth-Straße 10, 71364 Winnenden, Germany

GB-DECLARATION OF CONFORMITY

We declare as the manufacturer under our sole responsibility that the product described under „Technical Data“ fulfills all the relevant provisions of the following Regulations

S.I. 2012/3032 (as amended), S.I. 2008/1597 (as amended),

S.I. 2016/1091 (as amended), S.I. 2017/1206 (as amended) and that

the following designated standards have been used:

BS EN 62841-1:2015

BS EN 62841-3-14:2017

BS EN 55014-1:2017+A11:2020

BS EN 55014-2:2015

BS EN 62479:2010

EN 300 328 V2.2.2

EN 301 489-1 V2.2.3

EN 301 489-17 V3.1.1

BS EN IEC 63000:2018

Winnenden. 2020-11-17

Alexander Krug / Managing Director
Authorized to compile the technical file
Techtronic Industries GmbH
Max-Eyth-Straße 10, 71364 Winnenden, Germany

SYMBOLS



CAUTION! WARNING! DANGER!



Please read the instructions carefully before starting the machine.



Always wear goggles when using the machine.



Wear gloves! Leather gloves recommended!



Remove the battery pack before starting any work on the appliance.



Accessory - Not included in standard equipment, available as an accessory.



Do not overstress cables.

Overstressing cables may cause twisting, kinking, or breaking of the cable and may result in serious injury.



Auto feed / retract selection on



Auto feed / retract selection off



Clockwise spin (forward)



Counter clockwise spin (reverse)



Do not dispose electric tools, batteries/rechargeable batteries together with household waste material. Electric tools and batteries that have reached the end of their life must be collected separately and returned to an environmentally compatible recycling facility. Check with your local authority or retailer for recycling advice and collection point.



This device contains a button-type/coin cell lithium battery.

n₀

No-load speed

V

Voltage



Direct Current



European Conformity Mark



British Conformity Mark



Ukraine Conformity Mark

001



EurAsian Conformity Mark

Technische Daten	M18 FSSM
Teilspiralen-Rohrreinigungsmaschine	
Produktionsnummer	4749 26 02... ... 000001-999999
Spannung Wechselakku	18 V $\overline{\text{---}}$
Leerlaufdrehzahl n_0	0 - 700 min^{-1}
Frequenzband Bluetooth	2402-2480 MHz
Sendeleistung	1,8 dBm
Bluetooth-Version	4,0 BT signal mode
Vorschub- / Rückzugsgeschwindigkeit max.	31 cm/s
Spiralengröße	\varnothing 22 mm (7/8") & \varnothing 32 mm (1 1/4")
Sektionslänge Spirale	4,5 m
Max. Spiralenlänge	60 m
Empfohlener Rohrdurchmesser	\varnothing 50 - 200 mm
Führungsschlauchlänge	3500 mm
Führungsschlauchgröße	\varnothing 50 mm
Gewicht nach EPTA-Prozedur 01/2014 (mit Li-Ionen-Batterie 12,0 Ah)	33,32 kg
Gewicht ohne Akku, Spirale und Führungsschlauch	31,75 kg
Gewicht ohne Akku aber mit Führungsschlauch	37,55 kg
Empfohlene Umgebungstemperatur für den Betrieb	-18°C ... +50°C
Empfohlene Akku Typen	M18HB...; M18B...
Empfohlene Ladegeräte	M12-18...; M1418C6
Geräuschinformation	
Messwerte ermittelt entsprechend EN 62841. Der A-bewertete Geräuschpegel des Gerätes beträgt typischerweise:	
Schalldruckpegel (Unsicherheit K=3dB(A))	69,21 dB (A)
Schallleistungspegel (Unsicherheit K=3dB(A))	80,21 dB (A)
Gehörschutz tragen!	



D

WARNUNG

Der in diesen Merkblatt angegebene Geräuschemissionswert ist entsprechend einem in EN 62841 genormten Testverfahren gemessen worden und kann für den Vergleich von Werkzeugen miteinander verwendet werden. Er eignet sich auch für eine vorläufige Einschätzung der Belastung.

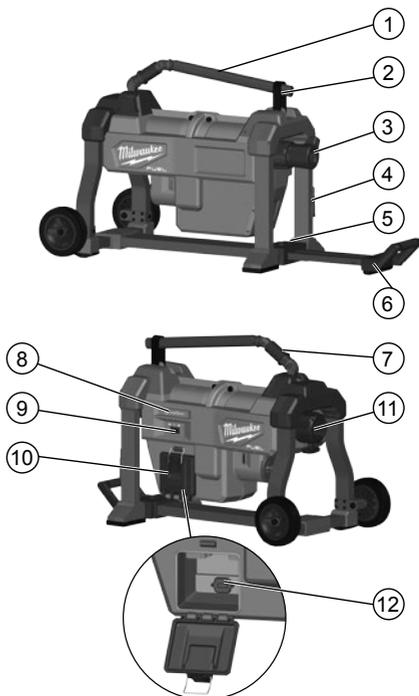
Der angegebene Geräuschemissionswert repräsentiert die hauptsächlichen Anwendungen des Werkzeugs. Wenn allerdings das Werkzeug für andere Anwendungen oder mit abweichendem Zubehör eingesetzt wird oder es ungenügend gewartet ist, kann der Geräuschemissionswert abweichen. Dies kann die Belastung über den gesamten Arbeitszeitraum deutlich erhöhen.

Für eine genaue Abschätzung der Belastung durch Lärm sollten auch die Zeiten berücksichtigt werden, in denen das Werkzeug abgeschaltet ist oder zwar läuft, aber nicht tatsächlich im Einsatz ist. Dies kann die Belastung über den gesamten Arbeitszeitraum deutlich reduzieren.

Legen Sie zusätzliche Sicherheitsmaßnahmen zum Schutz des Bedieners vor der Wirkung von Lärm fest wie zum Beispiel: Wartung des Werkzeugs und des Zubehörs und Organisation der Arbeitsabläufe.

Tragen Sie Gehörschutz. Die Einwirkung von Lärm kann Hörverlust bewirken.

⚠️ WARNUNG! Lesen Sie alle Sicherheitshinweise, Anweisungen, Bilderungen und technischen Daten, mit denen dieses Elektrowerkzeug versehen ist. Versäumnisse bei der Einhaltung der nachfolgenden Anweisungen können elektrischen Schlag, Brand und/oder schwere Verletzungen verursachen. Bewahren Sie alle Sicherheitshinweise und Anweisungen für die Zukunft auf.



Gerätebeschreibung

- | | |
|----------------------------|---|
| ① Hebelarm | ⑧ ONE-KEY™ Anzeige |
| ② Tragehalterung | ⑨ Vorwärts/Aus/Rückwärts |
| ③ Vorschubmanschette | ⑩ Batteriefach |
| ④ Kabelhaken | ⑪ Anschluss für den hinteren Führungsschlauch |
| ⑤ Taste für Griff freigabe | ⑫ ONE-KEY Batteriefach |
| ⑥ Teleskopgriff | |
| ⑦ Hebelarm-Manschette | |

SICHERHEITSHINWEISE FÜR ROHRREINIGER

Nutzen Sie immer den hinteren Führungsschlauch, wenn Sie das Gerät verwenden, und vergewissern Sie sich, dass die Spirale nicht über den hinteren Führungsschlauch hinausragt. Dies verhindert peitschende Bewegungen der Spirale, die dazu führen können, dass sich eine Person in der Spirale verfängt und Verletzungen davonträgt.

Der Rohrreiniger ist nur für Rohre der angegebenen Größen zu verwenden. Die Verwendung eines Rohrreinigers der falschen Größe kann zum Verdrehen, Knicken oder Brechen der Spirale und zu Verletzungen führen.

Fassen Sie die drehende Spirale nur mit den vom Hersteller empfohlenen Handschuhen an. Latex- oder lose sitzende Handschuhe bzw. Tücher können sich um die Spirale wickeln und schwere Verletzungen verursachen.

Stellen Sie sicher, dass sich die Spiralspitze nicht verhakt, solange sich die Spirale dreht. Andernfalls kann die Spirale überlastet werden und sich übermäßig verdrehen, knicken oder brechen, was zu schweren Verletzungen führen kann.

Wenn das zu reinigende Abflussrohr Chemikalien, Bakterien oder andere toxische Substanzen bzw. Infektionserreger enthalten könnte, dann verwenden Sie unter den vom Hersteller empfohlenen Schutzhandschuhen Latex- oder Gummihandschuhe sowie Schutzbrille, Gesichtsschutz, Schutzkleidung und Atemschutzmaske. Rohrleitungen können Chemikalien, Bakterien oder andere Substanzen enthalten, die toxisch oder infektionserregend sein und Verätzungen oder andere schwere Verletzungen hervorrufen können.

Beachten Sie die Hygienevorschriften. Essen und rauchen Sie nicht während Sie das Gerät einsetzen. Nach dem Umgang mit oder dem Gebrauch von Rohrreinigungsggeräten sind die Hände und sonstige Körperteile, die mit dem Rohrinhalt in Berührung gekommen sind, immer mit warmem Wasser und Seife zu waschen. So vermeiden Sie Gesundheitsrisiken auf Grund von Kontakt mit toxischen oder infektionserregenden Stoffen.

Weitere Sicherheits- und Arbeitshinweise

Halten Sie die Spirale mit einem Handschuh fest, wenn die Maschine in Betrieb ist. So kann die Spirale besser kontrolliert werden und es wird verhindert, dass sie sich verdreht, abknickt oder bricht, was zu Verletzungen führen kann.

Prüfen Sie die Spirale vor dem Gebrauch auf Verschleißspuren und Beschädigungen. Ersetzen Sie eine verschlissene oder beschädigte Spirale vor dem Einsatz des Rohrreinigers.

Die Spirale nicht verdrehen, knicken oder übermäßig biegen. Das Brechen der Spirale kann schwere Verletzungen verursachen.

Inspizieren Sie das zu reinigende Rohr vor dem Einsatz des Geräts. Bestimmen Sie soweit möglich Zugangspunkt(e), Durchmesser und Länge der Rohrleitung sowie die Entfernung zu den

Hauptleitungen, die Art der Verstopfung und das Vorhandensein von Rohrreinigungsmitteln oder anderen Chemikalien. Falls sich Chemikalien im Abflussrohr befinden, sind entsprechende Sicherheitsmaßnahmen zu ergreifen. Wenden Sie sich an den Hersteller der Chemikalie, um die erforderlichen Informationen zu erhalten.

Verwenden Sie dieses Gerät nicht, wenn der Benutzer oder das Gerät im Wasser steht. Die Verwendung des Geräts in Wasser erhöht das Risiko eines Stromschlags.

Decken Sie den Arbeitsbereich bei Bedarf ab. Die Reinigung von Abflussrohren kann eine schmutzige Angelegenheit sein.

Vergewissern Sie sich, dass die Spirale vollkommen aufgewickelt ist. So vermeiden Sie das peitschenartige Schlagen der Spirale beim Einschalten.

Platzieren Sie den Rohrreiniger in einem Abstand von maximal 60 cm zur Öffnung des Rohrs. Falls der Rohrreiniger nicht innerhalb von 60 cm zur Öffnung des Rohrs platziert werden kann, muss der Zugang zur Rohröffnung mit einem geeigneten Rohrstück ähnlichen Durchmessers überbrückt werden. Bei einer größeren Entfernung lässt sich die Spirale nur schlecht kontrollieren und sie kann sich verdrehen, knicken oder brechen.

Spirale und Ein/Aus-Schalter müssen von ein und derselben Person bedient werden. Falls das Werkzeug aufhört, sich zu drehen, muss der Benutzer dazu in der Lage sein, das Werkzeug abzuschalten, um zu verhindern, dass sich die Spirale verdreht, abknickt, bricht oder peitschende Bewegungen ausführt.

Mit Ausnahme der in dieser Anleitung genannten Situationen darf die Spirale nicht rückwärts gedreht werden. Der Betrieb des Werkzeugs in Rückwärtsrichtung über einen längeren Zeitraum kann zu Schäden an der Spirale und dem Zubehör führen.

Bei der Verwendung von Werkzeugen stets gesunden Menschenverstand anwenden und mit äußerster Sorgfalt vorgehen. Es ist unmöglich, alle Situationen mit Gefahrenpotential vorherzusehen. Dieses Werkzeug nicht verwenden, wenn Sie die Bedienungsanweisungen nicht verstehen oder das Gefühl haben, dass Sie der Arbeit nicht gewachsen sind. Für zusätzliche Informationen oder Schulungen wenden Sie sich an Milwaukee Tools oder einen Fachmann.

Etiketten und Typenschilder nicht entfernen. Diese Schilder enthalten wichtige Informationen. Wenn diese Hinweisschilder nicht mehr leserblich sind oder fehlen, wenden Sie sich an den MILWAUKEE-Kundendienst, um kostenlosen Ersatz zu erhalten.

WARNUNG! Staub von elektrischen Schleif-, Schneid-, Bohr- und anderen Bauarbeiten enthält Chemikalien, die Krebs, Geburtsschäden oder andere Schäden der Fortpflanzungsfähigkeit verursachen können. Dazu gehören unter anderem:

- Blei aus bleihaltigen Farben
- kristallines Siliziumdioxid aus Ziegelsteinen und Zement oder anderen Maurerzeugnissen, sowie
- Arsen und Chrom aus chemisch behandeltem Holz.

Die Risiken durch eine solche Exposition sind vielfältig und von der Häufigkeit der ausgeführten Arbeiten abhängig.

Um eine übermäßige Exposition zu vermeiden, nur in gut belüfteten Umgebungen arbeiten und geeignete Sicherheitsausrüstungen, wie speziell zur Filterung mikroskopischer Partikel entwickelte Staubmasken, verwenden.

Schutzausrüstung verwenden. Beim Arbeiten mit der Maschine stets Schutzbrille tragen. Schutzkleidung wie Staubschutzmaske, Schutzhandschuhe, festes und rutschsicheres Schuhwerk, Helm und Gehörschutz werden empfohlen.

Beim Arbeiten entstehender Staub ist oft gesundheitsschädlich und sollte nicht in den Körper gelangen. Geeignete Staubschutzmaske tragen.

Es dürfen keine Materialien bearbeitet werden, von denen eine Gesundheitsgefährdung ausgeht (z.B. Asbest).

Beim Blockieren des Einsatzwerkzeuges bitte das Gerät sofort ausschalten! Schalten Sie das Gerät nicht wieder ein, solange das Einsatzwerkzeug blockiert ist; hierbei könnte ein Rückschlag mit hohem Reaktionsmoment entstehen. Ermitteln und beheben Sie die Ursache für die Blockierung des Einsatzwerkzeuges unter Berücksichtigung der Sicherheitshinweise.

Vor allen Arbeiten am Gerät den Wechselakku herausnehmen. Verbrauchte Wechselakkus nicht ins Feuer oder in den Hausmüll werfen. Milwaukee bietet eine umweltgerechte Alt-Wechselakku-Entsorgung an; bitte fragen Sie Ihren Fachhändler.

Wechselakkus nicht zusammen mit Metallgegenständen aufbewahren (Kurzschlussgefahr).

Unter extremer Belastung oder extremer Temperatur kann aus beschädigten Wechselakkus Batterieflüssigkeit auslaufen. Bei Berührung mit Batterieflüssigkeit sofort mit Wasser und Seife abwaschen. Bei Augenkontakt sofort mindestens 10 Minuten gründlich spülen und unverzüglich einen Arzt aufsuchen.

Um die durch einen Kurzschluss verursachte Gefahr eines Brandes, von Verletzungen oder Produktbeschädigungen zu vermeiden, tauchen Sie das Werkzeug, den Wechselakku oder das Ladegerät nicht in Flüssigkeiten ein und sorgen Sie dafür, dass keine Flüssigkeiten in die Geräte und Akkus eindringen. Korrodierende oder leitfähige Flüssigkeiten, wie Salzwasser, bestimmte Chemikalien und Bleichmittel oder Produkte, die Bleichmittel enthalten, können einen Kurzschluss verursachen.

Wechselakkus des Systems M18 nur mit Ladegeräten des Systems M18 laden. Keine Akkus aus anderen Systemen laden.

Wechselakkus und Ladegeräte nicht öffnen und nur in trockenen Räumen lagern. Vor Nässe schützen.



WARNUNG



Dieses Gerät enthält eine Lithium Knopf-/Münzzellenbatterie. Eine neue oder gebrauchte Batterie kann schwere interne Verbrennungen verursachen und zum Tod in weniger als 2 Stunden führen, wenn sie verschluckt oder in den Körper gelangt. Sichern Sie immer den Batteriefachdeckel. Wenn er nicht sicher schließt, stoppen Sie das Gerät, entfernen Sie die Batterie und halten Sie sie von Kindern fern. Wenn Sie glauben, dass Batterien verschluckt oder in den Körper eingedrungen sind, suchen Sie sofortige ärztliche Hilfe auf.

BESTIMMUNGSGEMÄSSE VERWENDUNG

Der Teilspiralen-Rohrreiniger ist eine Abflussreinigungsmaschine zur Säuberung sekundärer Abflussleitungen, zum Beispiel in Küchen, Badezimmern und Waschküchen.

ONE-KEY™

Um mehr über die ONE-KEY Funktionalität dieses Werkzeugs zu erfahren, lesen Sie die beiliegende Schnellstartanleitung oder besuchen Sie uns im Internet unter <http://www.milwaukeeool.com/one-key>

Sie können die ONE-KEY App über den App Store oder Google Play auf Ihr Smartphone herunterladen. Das Prüfergebnis erfüllt unsere Mindestanforderungen nach EN 301 489-1 / EN 301 489-17. Wir händigen dem Benutzer die Betriebsanweisungen in Form der Bedienungsanleitung aus.

ONE-KEY™ Anzeige	
Blau durchgehend	Der kabellose Modus ist aktiv und das Gerät ist bereit für die Konfiguration über die ONE-KEY™ App.
Blau blinkend	Das Werkzeug kommuniziert aktiv mit der ONE-KEY™ App.
Rot blinkend	Das Werkzeug wurde aus Sicherheitsgründen gesperrt und kann vom Eigentümer über die ONE-KEY™ App entsperrt werden.

AKKUS

Längere Zeit nicht benutzte Wechselakkus vor Gebrauch nachladen. Eine Temperatur über 50°C vermindert die Leistung des Wechselakkus. Längere Erwärmung durch Sonne oder Heizung vermeiden. Die Anschlusskontakte an Ladegerät und Wechselakku sauber halten.

Für eine optimale Lebensdauer müssen nach dem Gebrauch die Akkus voll geladen werden.

Für eine möglichst lange Lebensdauer sollten die Akkus nach dem Aufladen aus dem Ladegerät entfernt werden.

Bei Lagerung des Akkus länger als 30 Tage: Akku bei ca. 27°C und trocken lagern. Akku bei ca. 30%-50% des Ladezustandes lagern. Akku alle 6 Monate erneut aufladen.

TRANSPORT VON LITHIUM-IONEN-AKKUS

Lithium-Ionen-Akkus fallen unter die gesetzlichen Bestimmungen zum Gefahrguttransport.

Der Transport dieser Akkus muss unter Einhaltung der lokalen, nationalen und internationalen Vorschriften und Bestimmungen erfolgen.

Verbraucher dürfen diese Akkus ohne Weiteres auf der Straße transportieren.

Der kommerzielle Transport von Lithium-Ionen-Akkus durch Speditionsunternehmen unterliegt den Bestimmungen des Gefahrguttransports. Die Versandvorbereitungen und der Transport dürfen ausschließlich von entsprechend geschulten Personen durchgeführt werden. Der gesamte Prozess muss fachmännisch begleitet werden.

Folgende Punkte sind beim Transport von Akkus zu beachten:

Stellen Sie sicher, dass die Kontakte geschützt und isoliert sind, um Kurzschlüsse zu vermeiden. Achten Sie darauf, dass der Akkupack innerhalb der Verpackung nicht verrutschen kann. Beschädigte oder auslaufende Akkus dürfen nicht transportiert werden. Wenn Sie sich für weitere Hinweise an Ihr Speditionsunternehmen.

AKKUÜBERLASTSCHUTZ

Bei Überlastung des Akkus durch sehr hohen Stromverbrauch, z.B. extrem hohe Drehmomente, plötzlichem Stopp oder Kurzschluss, vibriert das Elektrowerkzeug 5 Sekunden lang, die Ladeanzeige blinkt und das Elektrowerkzeug schaltet sich selbsttätig ab.

Zum Wiedereinschalten, den Schalterdrücker loslassen und dann wieder einschalten.

Unter extremen Belastungen erhitzt sich der Akku zu stark. In diesem Fall blinken alle Lampen der Ladeanzeige bis der Akku abgekühlt ist. Nach Erlöschen der Ladeanzeige kann weitergearbeitet werden.

Den Akku dann in das Ladegerät stecken um ihn wieder aufzuladen und zu aktivieren.



D

ZUSÄTZLICHE TIPPS FÜR DEN GEBRAUCH

Beachten Sie die Abbildungen für den normalen Gebrauch. Führen Sie die Spirale mit einer leichten Vor- und Rückwärtsbewegung in das Rohr ein, bis die Verstopfung beseitigt ist. HINWEIS: Wenn das Werkzeug blockiert, den Schalter sofort loslassen.

Lösen eines blockierten Rohrreinigers:

1. Bewegen Sie den Vorwärts/Aus/Rückwärts-Schalter in die Rückwärtsrichtung und drehen Sie die Schlauchmanschette in die Position „Spin 0“.
2. Das Werkzeug in Rückwärtsdrehrichtung einige Zentimeter zurückziehen, um die Spirale zu lösen.
3. Schalten Sie das Werkzeug ab.
4. Nachdem das Werkzeug vollständig zum Stillstand gekommen ist, betätigen Sie den Vorwärts/Aus/Rückwärts-Schalter, um wieder in die Vorwärtsrichtung zu wechseln.

VORSICHT! Der fortwährende Betrieb des Werkzeugs in Rückwärtsdrehrichtung kann zu einer Beschädigung der Spirale und des Zubehörs führen.

Falls sich die Spirale nur schwer durch einen Siphon oder ein anderes Teil bewegen lässt, können die folgenden Methoden einzeln oder kombiniert zum Einsatz kommen.

1. Energische, nach unten gerichtete Stöße, sowohl mit rotierender als auch nicht rotierender Spirale, können dabei helfen, die Spirale durch den Siphon zu bewegen.
2. Indem der Hebelarm freigegeben und die Spirale von Hand gedreht wird, lässt sich die Ausrichtung des Cutters verändern, sodass dieser leichter durch den Rohrabschnitt gelangt.
3. Lassen Sie den Rohrreiniger einige Sekunden lang in Rückwärtsrichtung (REV) arbeiten, während Sie die Spirale nach unten drücken. Dies sollte nur so lange geschehen, bis die Spirale durch den Siphon gelangt. Der Betrieb der Spirale in Rückwärtsrichtung kann Schäden an der Spirale verursachen.

Falls diese Optionen nicht funktionieren, verwenden Sie eine Spirale mit einem kleineren Durchmesser oder eine Spirale, die sich leichter biegen lässt.

SPIRALE MONTIEREN

Beachten Sie die Abbildungen zur Montage der Spirale.

WARNUNG! Die Spirale steht unter Druck und kann bei der Montage plötzlich hervorschnellen, was zu Verletzungen führen kann.

Tragen Sie eine Schutzbrille oder eine Brille mit Seitenschutz, um das Verletzungsrisiko so gering wie möglich zu halten.

Tragen Sie immer Lederhandschuhe.

Lesen Sie die Bedienungsanleitung. Verwenden Sie eine geeignete Schutzausrüstung.

Beim Einsatz des Rohrreinigers können Sie mit Chemikalien, Bakterien oder anderen ätzenden, toxischen oder infektiösen Substanzen in Berührung kommen.

Die Hände nach Gebrauch mit warmem Wasser und Seife reinigen.

WARTUNG

Vor allen Arbeiten am Gerät den Wechselakku herausnehmen.

Die freiliegende Spirale mit einem Lappen abwischen und wieder in die Trommel einschieben.

Vor Lagerung des Rohrreinigers, die Spirale vollkommen herausziehen. Die Spirale reinigen und locker aufwickeln.

Nur Milwaukee Zubehör und Milwaukee Ersatzteile verwenden.

Bauteile, deren Austausch nicht beschrieben wurde, bei einer Milwaukee Kundendienststelle auswechseln lassen (Broschüre Garantie/Kundendienstadressen beachten).

Bei Bedarf kann eine Explosionszeichnung des Gerätes unter Angabe der Maschinen Type und der sechsstelligen Nummer auf dem Leistungsschild bei Ihrer Kundendienststelle oder direkt bei Techtronic Industries GmbH, Max-Eyth-Straße 10, 71364 Winnenden, Germany angefordert werden.

CE-KONFORMITÄTSERKLÄRUNG

Wir erklären in alleiniger Verantwortung, dass das unter „Technische Daten“ beschriebene Produkt mit allen relevanten Vorschriften der Richtlinien:

2011/65/EU (RoHS)

2006/42/EG

2014/30/EU

2014/53/EU

und den folgenden harmonisierten normativen Dokumenten übereinstimmt

EN 62841-1:2015

EN 62841-3-14:2017

EN 55014-1:2017+A11:2020

EN 55014-2:2015

EN 62479:2010

EN 300 328 V2.2.2

EN 301 489-1 V2.2.3

EN 301 489-17 V3.1.1

EN IEC 63000:2018



Winnenden. 2020-11-17

Alexander Krug / Managing Director

Bevollmächtigt die technischen Unterlagen zusammenzustellen.

Techtronic Industries GmbH

Max-Eyth-Straße 10, 71364 Winnenden, Germany

SYMBOL E



ACHTUNG! WARNUNG! GEFAHR!



Bitte lesen Sie die Gebrauchsanweisung vor Inbetriebnahme sorgfältig durch.



Beim Arbeiten mit der Maschine stets Schutzbrille tragen.



Immer Schutzhandschuhe – vorzugsweise aus Leder – tragen!



Vor allen Arbeiten am Gerät den Wechselakku herausnehmen.



Zubehör - Im Lieferumfang nicht enthalten, empfohlene Ergänzung aus dem Zubehörprogramm.



Vermeiden Sie eine übermäßige Belastung der Spirale. Eine übermäßige Belastung der Spirale kann dazu führen, dass sie sich verdreht, abknickt oder bricht, was Verletzungen nach sich ziehen kann.



Auto Vorschub / Rückzug Auswahl ein



Auto Vorschub / Rückzug Auswahl aus



Drehrichtung Uhrzeigersinn (vorwärts)



Drehrichtung Gegenuhrzeigersinn (rückwärts)



Elektrogeräte, Batterien/Akkus dürfen nicht zusammen mit dem Hausmüll entsorgt werden. Elektrische Geräte und Akkus sind getrennt zu sammeln und zur umweltgerechten Entsorgung bei einem Verwertungsbetrieb abzugeben. Erkundigen Sie sich bei den örtlichen Behörden oder bei Ihrem Fachhändler nach Recyclinghöfen und Sammelstellen.



Dieses Gerät enthält eine Lithium Knopf-/ Münzzellenbatterie.

n₀

Leerlaufdrehzahl

V

Spannung



Gleichstrom



Europäisches Konformitätszeichen



Britisches Konformitätszeichen



Ukrainisches Konformitätszeichen



Euroasiatisches Konformitätszeichen

Caractéristiques techniques	M18 FSSM
Déboucheur transversal de canalisation	
Numéro de série	4749 26 02... ... 000001-999999
Tension accu interchangeable	18 V \equiv
Vitesse de rotation à vide n_0	0 - 700 min^{-1}
Bande (bandes) de fréquence Bluetooth	2402-2480 MHz
Puissance de radiofréquence	1,8 dBm
Version Bluetooth	4,0 BT signal mode
Augmenter / réduire la vitesse max.	31 cm/s
Taille du câble du nettoyeur de canalisation	\varnothing 22 mm (7/8") & \varnothing 32 mm (1 1/4")
Longueur câble transversal du nettoyeur de canalisation	4,5 m
Longueur max. du câble du nettoyeur de canalisation	60 m
Diamètre tuyau recommandé	\varnothing 50 - 200 mm
Longueur tube pilote/tuyau guide	3500 mm
Longueur tube pilote/tuyau guide	\varnothing 50 mm
Poids suivant EPTA-Procédure 01/2014 (avec batterie Li-Ion 12,0 Ah)	33,32 kg
Poids sans la batterie, le câble de drainage et le tuyau guide.	31,75 kg
Poids sans la batterie mais avec le tuyau guide	37,55 kg
Température ambiante conseillée pour le fonctionnement	-18°C ... +50°C
Batteries conseillées	M18HB...; M18B...
Chargeurs conseillés	M12-18...; M1418C6
Informations sur le bruit	
Valeurs de mesure obtenues conformément à la EN 62841. Les mesures réelles (des niveaux acoustiques de l'appareil sont :	
Niveau de pression acoustique (Incertitude K=3dB(A))	69,21 dB (A)
Niveau d'intensité acoustique (Incertitude K=3dB(A))	80,21 dB (A)
Toujours porter une protection acoustique!	



Fr

AVERTISSEMENT

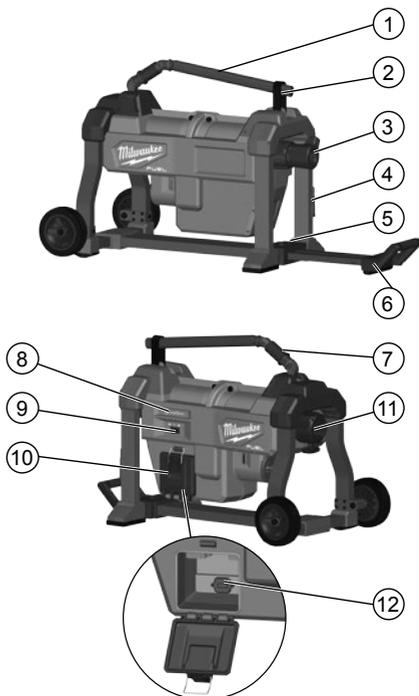
La valeur des émissions sonores indiquée dans cette fiche technique a été mesurée selon une procédure de test répondant à la norme EN 62841 et peut être utilisée pour comparer des outils entre eux. Elle peut aussi être utilisée pour effectuer une évaluation préliminaire de l'exposition.

La valeur des émissions sonores indiquée concerne les principales applications de l'outil. Cependant, si l'outil est utilisé pour d'autres applications ou avec des accessoires différents, ou s'il n'est pas suffisamment entretenu, la valeur des émissions sonores peut différer. Ceci peut se traduire par une nette augmentation de l'exposition tout au long de la période de travail.

Pour obtenir une évaluation exacte de l'exposition au bruit, il convient de prendre aussi en compte les moments où l'outil est éteint, ou lorsqu'il est en marche mais n'est pas utilisé. Ceci peut se traduire par une nette diminution de l'exposition tout au long de la période de travail.

Déterminez les mesures de sécurité supplémentaires relatives à la protection de l'utilisateur contre les effets du bruit, telles que la maintenance de l'outil et de l'accessoire et l'organisation du travail. Portez une protection acoustique. L'exposition au bruit pourrait provoquer une diminution de l'ouïe.

⚠ AVERTISSEMENT! Lisez toutes les consignes de sécurité, instructions, présentations et données que vous recevez avec l'appareil. Le fait de ne pas suivre toutes les instructions données ci-dessous peut provoquer un choc électrique, un incendie et/ou une blessure grave. **Bien garder tous les avertissements et instructions.**



Description du dispositif

- | | |
|------------------------------------|------------------------------------|
| ① Bras du levier | ⑧ Indicateur ONE-KEY™ |
| ② Crochet de transport | ⑨ Marche avant/stop/marche arrière |
| ③ Collier d'alimentation | ⑩ Porte de la batterie |
| ④ Crochet de câble | ⑪ Connexion tuyau guide arrière |
| ⑤ Bouton déclencheur de la poignée | ⑫ Porte de la batterie ONE-KEY |
| ⑥ Poignée télescopique | |
| ⑦ Collier du bras du levier | |

⚠️ CONSIGNES DE SÉCURITÉ POUR LES DÉBOUCHEURS

Toujours utiliser le tuyau guide arrière pendant l'utilisation de l'outil et s'assurer que le câble ne s'étire pas au-delà de l'extrémité du tuyau guide. Cela évite que le câble ne revienne en coup de fouet, ce qui peut entraîner un enchevêtrement et des blessures.

Le déboucheur doit être utilisé uniquement pour les tuyaux de la dimension indiquée. Lors de l'utilisation d'un déboucheur ayant la dimension erronée, il est possible que la vrille se tordre, se plie à angle vif ou se casse avec risque de lésions.

Toucher la vrille tournante uniquement avec les gants conseillés par le fabricant. Des gants en latex, des gants pas très adhérents ou des chiffons pourraient s'enrouler autour de la vrille et causer des lésions graves.

S'assurer que la pointe de la vrille ne se coince pas tandis que la vrille tourne. Dans le cas contraire la vrille pourrait être soumise à une surcharge, se tordre excessivement, se plier à angle vif ou se casser en causant des lésions graves.

Si le tuyau de vidange pourrait contenir des produits chimiques, des bactéries ou d'autres substances toxiques et/ou des agents pathogènes, porter sous les gants de protection conseillés par le fabricant des gants en latex ou en caoutchouc, ainsi que des lunettes de protection, une protection faciale, des vêtements de protection et un masque respiratoire. Les tuyaux peuvent contenir des produits chimiques, des bactéries et d'autres substances potentiellement toxiques, pathogènes ou qui pourraient causer des brûlures ou d'autres lésions graves.

Respecter les normes concernant l'hygiène. Ne pas manger et ne pas fumer lors de l'utilisation de l'appareil. Après avoir manutentionné ou utilisé des dispositifs pour le débouchement des tuyaux, toujours laver les mains et d'autres parties du corps entrées en contact avec le contenu des tuyaux avec de l'eau chaude et du savon. De cette façon on évite tout risque pour la santé dérivé du contact avec des substances toxiques ou pathogènes.

Avis complémentaires de sécurité et de travail

Conserver des gants lors de la manipulation du câble à chaque fois que l'outil est en marche. Cela permet de garder un meilleur contrôle sur le câble et d'empêcher que celui-ci ne se tordre, ne s'entortille ou ne se rompe, ce qui peut entraîner des blessures graves.

Contrôler la vrille avant son usage pour voir d'éventuels signes d'usure ou des dommages. Si la vrille est usagée ou endommagée, elle doit être remplacée avant l'utilisation du déboucheur.

Ne pas tordre, ne pas plier à angle vif et de toute façon ne pas plier excessivement la vrille. En cas de rupture de la vrille, elle pourrait causer des lésions graves.

Inspecter le tuyau à déboucher avant d'utiliser l'appareil. Établir, autant que possible, le/les point/s d'accès, le diamètre et la longueur du tuyau ainsi que sa distance de la conduite principale, le type d'obstruction et la présence d'agents pour le débouchement et d'autres produits chimiques. Si dans le tuyau de vidange il y a des produits chimiques, il faut prendre des mesures de sécurité appropriées. S'adresser au fabricant de l'agent chimique pour obtenir les informations nécessaires.

Ne pas utiliser cet outil si l'utilisateur ou l'outil se trouve dans l'eau. Utiliser cet outil dans l'eau augmente le risque de choc électrique.

Si nécessaire, couvrir la zone de travail. Lors du débouchement des tuyaux de vidange, beaucoup de saleté pourrait être libérée.

S'assurer que la vrille soit complètement roulée. De cette façon on évite que lors de la mise en marche de la vrille, cette dernière effectue des mouvements à fouet.

Placer le nettoyeur de canalisation à une distance inférieure à 60 cm de l'ouverture de la canalisation. Si le nettoyeur de canalisation ne peut pas être placé à une distance de deux pieds de l'ouverture de la canalisation, il faut étendre l'ouverture de la canalisation en utilisant un tuyau et un raccord de tuyauterie de taille similaire. En cas d'une distance plus ample, il saurait difficile de contrôler la vrille qui pourrait se tordre, se plier à angle vif ou se casser.

La vrille et l'interrupteur ON/OFF doivent être contrôlés par la même personne. Si l'outil cesse de tourner, l'utilisateur doit être en mesure de l'éteindre pour empêcher que le câble ne se tordre, ne s'entortille, ne se rompe ou ne revienne en coup de fouet.

À l'exception de la situation mentionnée dans ces instructions, la vrille ne doit jamais tourner à l'arrière. Utiliser l'outil en sens inverse durant des périodes longues peut entraîner des dommages sur le câble et les accessoires.

Agissez avec bon sens et soyez prudent lors de l'utilisation des outils. Il n'est pas toujours possible de prévoir les situations qui pourraient devenir dangereuses. Si vous ne comprenez pas le présent mode d'emploi ou si vous avez l'impression que la tâche dépasse vos capacités, n'utilisez pas cet outil. Contactez Milwaukee Tool ou un spécialiste expérimenté pour des informations ou une formation complémentaires.

N'enlever aucune étiquette et plaquette. Les plaquettes contiennent des informations importantes. Dans le cas où ces plaquettes informatives ne soient plus lisibles ou soient absentes, veuillez vous adresser au service clients MILWAUKEE en vue d'obtenir un remplacement gratuit.

AVERTISSEMENT! Certaines poussières créées par le ponçage, le sciage, le meulage, le perçage et d'autres activités du bâtiment contiennent des substances chimiques connues pour provoquer des cancers, avoir des effets tératogènes ou néfastes sur la reproduction. En voici quelques exemples :

- le plomb contenu dans les peintures à base de plomb
- la silice cristalline issue des briques, ciments et autres produits de maçonnerie, et
- l'arsenic et le chrome des bois traités chimiquement.

Les risques liés à l'exposition à ces substances dépendent de la fréquence de réalisation de ce type de travaux.

Afin de réduire votre exposition à ces substances chimiques, nous vous conseillons de travailler dans un endroit bien ventilé et d'utiliser des équipements de sécurité agréés comme les masques



de protection contre les poussières spécialement conçus pour filtrer les particules microscopiques.

Utiliser l'équipement de protection. Toujours porter des lunettes de protection pendant le travail avec la machine. Il est recommandé de porter des articles de protection, tels que masque antipoussière, gants de protection, chaussures tenant bien aux pieds et antidérapantes, casque et protection acoustique.

Les poussières qui sont dégagées pendant les travaux sont souvent nocives pour la santé et ne devraient pas pénétrer dans le corps. Porter un masque de protection approprié contre les poussières. Il est interdit de travailler des matériaux dangereux pour la santé (par ex. amiante).

Désactiver immédiatement le dispositif en cas de blocage ! Ne pas réactiver le dispositif avec l'outil bloqué; il y a le risque de provoquer un contrecoup avec moment de réaction élevé. Établir et éliminer la cause du blocage de l'outil en prêtant attention aux consignes de sécurité.

Avant tous travaux sur l'appareil retirer l'accu interchangeable.

Ne pas jeter les accus interchangeables usés au feu ou avec les déchets ménagers. Milwaukee offre un système d'évacuation écologique des accus usés.

Ne pas conserver les accus interchangeables avec des objets métalliques (risque de court-circuit)

En cas de conditions ou températures extrêmes, du liquide caustique peut s'échapper d'un accu interchangeable endommagé. En cas de contact avec le liquide caustique de la batterie, laver immédiatement avec de l'eau et du savon. En cas de contact avec les yeux, rincer soigneusement avec de l'eau et consulter immédiatement un médecin.

Pour réduire le risque d'incendie, de blessures corporelles et de dommages cau-sés par un court-circuit, ne jamais immerger l'outil, le bloc-piles ou le chargeur dans un liquide ou laisser couler un fluide à l'intérieur de celui-ci. Les fluides corrosifs ou conducteurs, tels que l'eau de mer, certains produits chim-iques industriels, les produits de blanchiment ou de blanchi-ment, etc., Peuvent provoquer un court-circuit.

Ne charger les accus interchangeables du système M18 qu'avec le chargeur d'accu du système M18. Ne pas charger des accus d'autres systèmes.

Ne pas ouvrir les accus interchangeables et les chargeurs et ne les stocker que dans des locaux secs. Les protéger contre l'humidité.



AVERTISSEMENT



Cet appareil contient une pile bouton lithium / batterie au lithium. Une batterie neuve ou usagée peut causer de graves brûlures internes et entraîner la mort en moins de 2 heures en cas d'ingestion ou si elle pénètre dans le corps. Fixez toujours le couvercle sur le compartiment de la batterie. S'il ne se ferme pas hermétiquement, arrêtez l'appareil, retirez la batterie et gardez-la hors de la portée des enfants. Si vous pensez que quelqu'un a ingéré la batterie ou que la batterie a pénétré dans le corps, consultez immédiatement un médecin.

UTILISATION CONFORME AUX PRESCRIPTIONS

Le déboucheur transversal de canalisation est une machine utilisée pour nettoyer les canalisations secondaires que l'on trouve généralement dans les cuisines, salles de bain et les pièces de service.

ONE-KEY™

Pour en savoir plus sur la fonctionnalité ONE-KEY de cet outil, lisez les instructions rapides ci-jointes ou rendez-nous visite sur Internet sur <http://www.milwaukeetool.com/one-key>.

Vous pouvez télécharger l'appli ONE-KEY sur votre smartphone via l'App Store ou Google Play. Le résultat d'essai répond à nos exigences min. suivant EN 301 489-1 / EN 301 489-17. De plus, nous donnerons le guide de fonctionnement au client dans le manuel de l'utilisateur.

Indicateur ONE-KEY™	
Bleu continu	Le mode sans fil est actif et prêt à être configuré via l'application ONE-KEY™.
Bleu clignotant	L'outil communique activement avec l'application ONE-KEY™.
Rouge clignotant	L'outil est en verrouillage de sécurité et peut être déverrouillé par le propriétaire via l'application ONE-KEY™.

ACCUS

Recharger les accus avant utilisation après une longue période de non utilisation.

Une température supérieure à 50°C amoindrit la capacité des accus. Eviter les expositions prolongées au soleil ou au chauffage.

Tenir propres les contacts des accus et des chargeurs.

Pour une durée de vie optimale, les accus doivent être chargés à fond après l'utilisation.

Pour une plus longue durée de vie, enlever les batteries du chargeur de batterie quand celles-ci seront chargées.

En cas d'entreposage de la batterie pour plus de 30 jours: Entreposer la batterie à 27°C environ dans un endroit sec. Entreposer la batterie avec une charge d'environ 30% - 50%. Recharger la batterie tous les 6 mois.

TRANSPORT DE BATTERIES LITHIUM-ION

Les batteries lithium-ion sont soumises aux dispositions législatives concernant le transport de produits dangereux.

Le transport de ces batteries devra s'effectuer dans le respect des dispositions et des normes locales, nationales et internationales.

Les utilisateurs peuvent transporter ces batteries sans restrictions.

Le transport commercial de batteries lithium-ion est réglé par les dispositions concernant le transport de produits dangereux. La préparation au transport et le transport devront être effectués uniquement par du personnel formé de façon adéquate. Tout le procédé devra être géré d'une manière professionnelle.

Durant le transport de batteries il faut respecter les consignes suivantes :

S'assurer que les contacts soient protégés et isolés en vue d'éviter des courts-circuits. S'assurer que le groupe de batteries ne puisse pas se déplacer à l'intérieur de son emballage. Des batteries endommagées ou des batteries perdant du liquide ne devront pas être transportées. Pour tout renseignement complémentaire veuillez vous adresser à votre transporteur professionnel.

PROTECTION DE L'ACCU CONTRE LES SURCHARGES

En cas d'une surcharge de l'accu à cause d'une très haute consommation de courant, par exemple suite à des couples extrêmement élevés, un arrêt soudain ou un court-circuit, l'outil électrique vibre pendant 5 secondes, l'indicateur de charge clignote et l'outil électrique se déconnecte automatiquement.

Pour le ré-enclencher, relâcher le poussoir de l'interrupteur, puis enclencher à nouveau l'appareil.

Sous des sollicitations extrêmes, l'accu s'échauffe trop fortement. Dans ce cas, tous les témoins de l'indicateur de charge clignotent jusqu'à ce que l'accu se soit refroidi. Il est possible de continuer à travailler dès que l'indicateur de charge s'est éteint.

Mettre alors l'accu en place dans le chargeur pour le recharger et l'activer.

CONSEILS ULTÉRIEURS D'UTILISATION

Pour une normale utilisation, veuillez vous référer aux figures.

Introduire la vrille dans le tuyau en la déplaçant légèrement en avant et en arrière jusqu'à atteindre l'élimination de l'obstruction.

NOTE : Si l'outil se coince, relâcher tout de suite l'interrupteur.

Comment libérer un déboucheur coincé :

1. Placer l'interrupteur marche avant/stop/marche arrière en position marche arrière et faire tourner le collier d'alimentation sur Vrille 0.
2. Faire tourner l'outil en arrière et le retirer de quelques centimètres en vue de libérer la vrille.
3. Arrêter l'outil.
4. Une fois l'outil entièrement arrêté, placer l'interrupteur marche avant/stop/marche arrière en position marche avant de nouveau.

ATTENTION ! Un fonctionnement continu de l'outil avec direction de rotation en arrière peut comporter l'endommagement de la vrille et des accessoires.

Il peut être difficile d'insérer le câble dans un siphon ou d'autres raccords ; les méthodes ou association de méthodes suivantes peuvent être utilisées.

1. Insérer le câble en l'abaissant, de façon plus marquée, avec et sans le câble en rotation, peut aider à insérer le câble à travers un siphon.
2. En relâchant le bras du levier, faire tourner le câble manuellement peut changer l'orientation de l'outil de curetage pour permettre négocier plus facilement l'insertion dans le tuyau de raccordement.
3. Utiliser le nettoyeur de canalisation en rotation inverse pendant plusieurs secondes tout en poussant sur le câble vers le bas. Opérer ainsi suffisamment longtemps pour pouvoir insérer le câble dans le siphon uniquement. Tourner le câble en sens inverse peut l'endommager.

Si ces options ne fonctionnent pas, envisager d'utiliser un diamètre plus petit ou un câble plus flexible.

MONTAGE DE LA VRILLE

Pour le montage de la vrille se référer aux figures.

AVERTISSEMENT! La vrille est sous pression et lors du montage peut soudainement rebondir en avant, en causant éventuellement des lésions. Porter des lunettes de protection ou des lunettes avec protections latérales en vue de réduire au min. tout risque de lésion.

Toujours porter des gants en cuir.

Lire les instructions d'emploi. Utiliser des dispositifs de protection appropriés.

Lors de l'utilisation du déboucheur, il est possible d'entrer en contact avec d'agents chimiques, des bactéries ou d'autres substances corrosives, toxiques ou infectieuses.

Après l'utilisation, laver les mains avec eau chaude et savon.

ENTRETIEN

Avant tous travaux sur l'appareil retirer l'accu interchangeable.

Nettoyer la vrille libre à l'aide d'un chiffon et l'insérer de nouveau dans le tambour.

Avant de ranger le déboucheur, extraire complètement la vrille.

Nettoyer la vrille et la rouler pas trop serrée.

Utiliser uniquement les accessoires Milwaukee et les pièces détachées Milwaukee. Faire remplacer les composants dont le remplacement n'a pas été décrit, par un des centres de service après-vente Milwaukee (observer la brochure avec les adresses de garantie et de service après-vente).

Si besoin est, une vue éclatée de l'appareil peut être fournie.

S'adresser, en indiquant bien le numéro porté sur la plaque signalétique, à votre station de service après-vente (voir liste jointe) ou directement à Techtronic Industries GmbH, Max-Eyth-Straße 10, 71364 Winnenden, Germany.

DÉCLARATION CE DE CONFORMITÉ

Nous déclarons, sous notre responsabilité exclusive, que le produit décrit ici dans les « Caractéristiques techniques » satisfait à toutes les dispositions pertinentes des directives:

2011/65/UE (RoHS)

2006/42/CE

2014/30/UE

2014/53/UE

et que les normes harmonisées suivantes ont été appliquées.

EN 62841-1:2015

EN 62841-3-14:2017

EN 55014-1:2017+A11:2020

EN 55014-2:2015

EN 62479:2010

EN 300 328 V2.2.2

EN 301 489-1 V2.2.3

EN 301 489-17 V3.1.1

EN IEC 63000:2018



Winnenden. 2020-11-17

Alexander Krug / Managing Director

Autorisé à compiler la documentation technique.

Techtronic Industries GmbH

Max-Eyth-Straße 10, 71364 Winnenden, Germany

SYMBÔLES



ATTENTION! AVERTISSEMENT! DANGER!



Veillez lire avec soin le mode d'emploi avant la mise en service



Toujours porter des lunettes protectrices en travaillant avec la machine.



Toujours porter des gants de protection, de préférence en cuir !



Avant tous travaux sur l'appareil retirer l'accu interchangeable.



Accessoires - Ces pièces ne font pas partie de la livraison. Il s'agit là de compléments recommandés pour votre machine et énumérés dans le catalogue des accessoires.



Ne pas imposer une tension excessive sur les câbles. Cela permet de garder un meilleur contrôle sur le câble et d'empêcher que celui-ci ne se torde, ne s'entortille ou ne se rompe, ce qui peut entraîner des blessures graves.



Système d'alimentation automatisé / sélection retrait on



Système d'alimentation automatisé / sélection retrait off



vrille dans le sens des aiguilles d'une montre (marche avant)



vrille dans le sens inverse des aiguilles d'une montre / marche arrière)



Les dispositifs électriques, les batteries et les batteries rechargeables ne sont pas à éliminer dans les déchets ménagers. Les dispositifs électriques et les batteries sont à collecter séparément et à remettre à un centre de recyclage en vue de leur élimination dans le respect de l'environnement. S'adresser aux autorités locales ou au détaillant spécialisé en vue de connaître l'emplacement des centres de recyclage et des points de collecte.



Cet appareil contient une pile bouton lithium / batterie au lithium.

n_0

Vitesse de rotation à vide

V

Tension



Courant continu



Marque de conformité européenne



Marque de conformité britannique



Marque de conformité ukrainienne



Marque de conformité d'Eurasie

Dati tecnici	M18 FSSM
Macchina sezionale per lo spurgo delle vie fognarie	
Numero di serie	4749 26 02... ... 000001-999999
Tensione batteria	18 V \equiv
Numero di giri a vuoto n_0	0 - 700 min ⁻¹
Banda (bande) di frequenza Bluetooth	2402-2480 MHz
Potenza a radiofrequenza	1,8 dBm
Versione Bluetooth	4,0 BT signal mode
Velocità di avanzamento / retrazione max.	31 cm/s
Dimensioni del cavo di spurgo	\varnothing 22 mm (7/8") & \varnothing 32 mm (1 1/4")
Lunghezza del cavo di spurgo a sezione trasversale	4,5 m
Lunghezza massima del cavo di spurgo	60 m
Diametro consigliato della tubatura	\varnothing 50 - 200 mm
Lunghezza del tubo pilota/tubo guida	3500 mm
Dimensioni del tubo pilota/tubo guida	\varnothing 50 mm
Peso secondo la procedura EPTA 01/2014 (con batteria agli ioni di litio 12,0 Ah)	33,32 kg
Peso senza batteria, cavo di spurgo e tubo guida.	31,75 kg
Peso senza batteria ma con tubo guida	37,55 kg
Temperatura ambiente consigliata per il funzionamento	-18°C ... +50°C
Batterie consigliate	M18HB...; M18B...
Caricatori consigliati	M12-18...; M1418C6
Informazioni sulla rumorosità	
Valori misurati conformemente alla norma EN 62841. La misurazione A del livello di pressione acustica dell'utensile è di solito di:	
Livello di rumorosità (Incertezza della misura K=3dB(A))	69,21 dB (A)
Potenza della rumorosità (Incertezza della misura K=3dB(A))	80,21 dB (A)
Utilizzare le protezioni per l'udito!	

AVVERTENZA

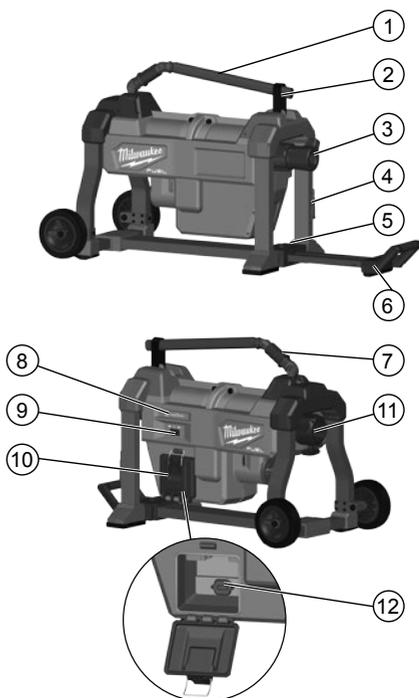
Il livello di emissione sonora indicato in questa scheda informativa è stato misurato secondo una procedura di test standardizzata definita nella norma EN 62841 e può essere utilizzato per confrontare un utensile con un altro. Può essere utilizzato per una valutazione preliminare dell'esposizione.

Il livello di emissione sonora dichiarato si riferisce alle principali applicazioni dell'utensile. Se l'utensile viene invece utilizzato per applicazioni diverse, con accessori diversi o in uno stato di scarsa manutenzione, le emissioni sonore possono differire. Questo può aumentare significativamente il livello di esposizione per l'intero periodo di lavoro.

Una stima del livello di esposizione al rumore dovrebbe anche tener conto dei tempi in cui l'utensile è spento o in cui è acceso ma non sta effettivamente lavorando. Questo può ridurre significativamente il livello di esposizione riferito all'intero periodo di lavoro. Identificare ulteriori misure di sicurezza per proteggere l'operatore dagli effetti del rumore, come ad esempio la manutenzione dell'utensile e degli accessori e l'organizzazione delle procedure di lavoro.

Indossare protezioni acustiche adeguate. L'esposizione al rumore potrebbe comportare una riduzione dell'udito.

⚠ AVVERTENZA! Leggere tutte le avvertenze di sicurezza, le istruzioni, le illustrazioni e i dati forniti a corredo dell'apparecchio. In caso di mancata osservanza delle seguenti istruzioni vi è il pericolo di provocare una scossa elettrica, di sviluppare incendi e/o di provocare seri incidenti. **Conservare tutte le avvertenze di pericolo e le istruzioni operative per ogni esigenza futura.**



Descrizione del dispositivo

- | | |
|---|--|
| ① Braccio della leva | ⑦ Collare del braccio della leva |
| ② Gancio da trasporto | ⑧ Indicatore ONE-KEY™ |
| ③ Collare di alimentazione | ⑨ Selettore avanti/spegnimento/indietro |
| ④ Gancio del cavo | ⑩ Vano batterie |
| ⑤ Pulsante di rilascio dell'impugnatura | ⑪ Collegamento del tubo guida posteriore |
| ⑥ Impugnatura telescopica | ⑫ Vano batterie ONE-KEY |

INDICAZIONI DI SICUREZZA PER STURATORI

Usare sempre il tubo guida posteriore durante l'utilizzo dell'utensile e assicurarsi che il cavo non si estenda oltre il tubo guida posteriore. In tal modo, si evita che il cavo venga sbattuto, con il rischio di attorcigliamenti e lesioni personali.

Lo sturatore deve essere utilizzato esclusivamente per i tubi della dimensione indicata. Utilizzando uno sturatore della dimensione errata è possibile che la spirale si torca, si pieghi ad angolo vivo o si rompa, con il rischio di lesioni.

Toccare la spirale rotante soltanto con i guanti consigliati dal produttore. Guanti di lattice, guanti non ben aderenti o stracci potrebbero attorcigliarsi intorno alla spirale e causare lesioni gravi.

Accertarsi che la punta della spirale non si inceppi mentre la spirale gira. In caso contrario la spirale potrebbe subire un sovraccarico, torcersi eccessivamente, piegarsi ad angolo vivo o rompersi causando lesioni gravi.

Se il tubo di scarico potrebbe contenere prodotti chimici, batteri o altre sostanze tossiche e/o agenti patogeni, indossare sotto i guanti di protezione consigliati dal produttore dei guanti di lattice o di gomma oltre agli occhiali di protezione, protezione per il viso, indumenti di protezione e maschera respiratoria. Le tubature possono contenere prodotti chimici, batteri o altre sostanze che potrebbero essere tossiche, patogeni o che potrebbero causare ustioni o altre lesioni gravi.

Rispettare le norme in materia di igiene. Non mangiare e non fumare mentre si sta usando l'apparecchio. Dopo aver manipolato o utilizzato dispositivi per la pulizia di tubature, lavare sempre le mani ed altre parti del corpo entrate in contatto con il contenuto delle tubature con acqua calda e sapone. In questo modo si evitano rischi per la salute dovuti al contatto con sostanze tossiche o patogeni.

Ulteriori avvisi di sicurezza e di lavoro

Tenere sul cavo una mano protetta da guanto quando l'utensile è in funzione. Ciò consente di avere un controllo migliore del cavo e aiuta ad evitare che il cavo si intrecci, si attorcigli o si rompa, provocando lesioni gravi.

Controllare la spirale prima dell'uso per constatare eventuali tracce di usura o danni. Se la spirale è consumata o danneggiata, deve essere sostituita prima dell'uso dello sturatore.

Non torcere, non piegare ad angolo vivo e comunque non piegare eccessivamente la spirale. Se la spirale dovesse spezzarsi, potrebbe causare lesioni gravi.

Ispesizionare il tubo da pulire prima di utilizzare l'apparecchio. Stabilire nei limiti del possibile il/i punti di accesso, il diametro e la lunghezza del tubo nonché la distanza dalle condutture principali, il tipo di ostruzione e la presenza di agenti per la pulizia di tubi o di altri prodotti chimici. Qualora nel tubo di scarico si dovessero trovare agenti chimici, occorre prendere opportune

misure di sicurezza. Contattare il produttore dell'agente chimico per ottenere le necessarie informazioni.

Non usare l'utensile se l'utente o l'utensile si trovano in acqua. L'utilizzo dell'utensile in acqua aumenta il rischio di scosse elettriche.

Coprire l'area di lavoro se necessario. Durante la pulizia dei tubi di scarico può essere liberata molta sporcizia.

Accertarsi che la spirale sia completamente arrotolata. In questo modo si evita che al momento dell'accensione la spirale si muova a frusta.

Posizionare il cavo di spurgo a una distanza massima di 60 cm dall'apertura dello scarico. Se il cavo di spurgo non può essere posizionato entro circa 60 cm dall'apertura dello scarico, l'apertura dello scarico dovrà essere estesa usando un tubo e raccordi di dimensioni simili. In caso di distanza maggiore, sarebbe difficile controllare la spirale la quale potrebbe torcersi, piegarsi ad angolo vivo o spezzarsi.

La spirale e l'interruttore ON/OFF devono essere controllati dalla stessa persona. Se l'utensile smette di ruotare, l'utente deve essere in grado di spegnere l'utensile per evitare che il cavo si intrecci, si attorcigli, si rompa o venga sbattuto.

Ad eccezione della situazione menzionata in queste istruzioni la spirale non deve mai essere fatta girare all'indietro. L'utilizzo dell'utensile nella direzione inversa per periodi di tempo prolungati può danneggiare il cavo e gli accessori.

Usare sempre il buon senso ed essere prudenti durante l'utilizzo degli utensili. Non è possibile anticipare tutte le situazioni che potrebbero causare un risultato pericoloso. Non utilizzare l'utensile se le presenti istruzioni operative non sono state comprese o se si ha l'impressione che il lavoro da eseguire vada oltre le proprie capacità; contattare Milwaukee Tool o uno specialista qualificato per ottenere maggiori informazioni o istruzioni.

Non rimuovere etichette e targhette. Le targhette contengono informazioni importanti. Qualora queste targhette informative non fossero più leggibili o mancanti, si prega di contattare il servizio clienti di MILWAUKEE per ottenere una sostituzione gratuita.

AVVERTENZA! Alcune polveri prodotte durante la levigatura, il taglio, la macinatura, la perforazione e altre attività costruttive contengono sostanze chimiche che causano cancro, malformazioni congenite o altri danni agli apparati riproduttivi. Alcune di queste sostanze chimiche sono:

- piombo presente nelle vernici a base di piombo
- silice cristallina presente in mattoni, cemento e altri prodotti per edilizia, e
- arsenico e cromo presenti nel legname trattato chimicamente.

Il pericolo varia a seconda della frequenza con cui si realizza questo tipo di lavoro.

Per ridurre l'esposizione a queste sostanze chimiche: lavorare in una zona ben ventilata, utilizzare dispositivi di sicurezza omologati, ad esempio maschere antipolvere specificatamente progettate per filtrare le particelle microscopiche.

Usare dispositivi di protezione. Durante il lavoro con la macchina bisogna sempre portare occhiali di protezione. Si consiglia di indossare indumenti di protezione come maschera antipolvere, guanti di protezione, scarpe antiscivolo robuste, casco e cuffie di protezione acustica.

La polvere che si produce durante il lavoro è spesso dannosa per la salute e non dovrebbe essere aspirata. Portare un'adeguata mascherina protettiva.

E' vietato lavorare materiali che possono costituire pericoli alla salute (ad es. amianto).

Spegnerne immediatamente il dispositivo in caso di bloccaggio! Non riaccendere il dispositivo fino a quando l'utensile ad inserto resta bloccato; esiste il rischio di causare un contraccolpo con elevato momento di reazione. Rilevare ed eliminare la causa del bloccaggio dell'utensile ad inserto tenendo conto delle indicazioni di sicurezza.

Prima di iniziare togliere la batteria dalla apparecchiatura.

Non gettare le batterie esaurite sul fuoco o nella spazzatura di casa. La Milwaukee offre infatti un servizio di recupero batterie usate.

Nel vano d'innesto per la batteria del caricatore non devono entrare parti metalliche (pericolo di cortocircuito).

Nel caso di batterie danneggiate da un carico eccessivo o da temperature alte, l'acido di queste potrebbe fuoriuscire. In caso di contatto con l'acido delle batterie lavarsi immediatamente con acqua e sapone. In caso di contatto con gli occhi risciacquare immediatamente con acqua per almeno 10 minuti e contattare subito un medico.

Per ridurre il rischio d'incendio, di lesioni o di danni al prodotto causati da corto circuito, non immergere mai l'utensile, la batteria ricaricabile o il carica batterie in un liquido e non lasciare mai penetrare alcun liquido all'interno dei dispositivi e delle batterie. I fluidi corrosivi o conduttori come acqua salata, alcuni agenti chimici, agenti candeggianti o prodotti contenenti agenti candeggianti potrebbero provocare un corto circuito.

Le batterie del System M18 sono ricaricabili esclusivamente con i caricatori del System M18. Le batterie di altri sistemi non possono essere ricaricate.

Non aprire né la batteria né il caricatore e conservarli solo in luogo asciutto. Proteggerli dalla umidità.



AVVERTENZA



Questo dispositivo contiene una batteria a bottone al litio. Una batteria nuova o usata può causare ustioni interne gravi e causare la morte in 2 ore se ingerita o se penetra nell'organismo. Assicurare sempre il coperchio sullo scomparto batterie. Se non si chiude saldamente, arrestare il dispositivo, rimuovere la batteria e tenerla lontano dalla portata dei bambini. Se credete che qualcuno abbia ingerito la batteria, o che la stessa sia entrata in altro modo nell'organismo di qualcuno, cercate immediatamente assistenza medica.

UTILIZZO CONFORME

La macchina sezionale per lo spurgo delle vie fognarie è un utensile per lo spurgo di scarichi utilizzato per la pulizia canali di scarico secondari, ad esempio cucine, bagni e ripostigli.

ONE-KEY™

Per saperne di più sulla funzionalità ONE-KEY di questo utensile, leggere le istruzioni di messa in funzione rapida allegate oppure visitateci in Internet su <http://www.milwaukeeutool.com/one-key>.

È possibile scaricare sullo smartphone l'app ONE-KEY dall'App Store o da Google Play. Il risultato di collaudo corrisponde ai nostri requisiti minimi secondo EN 301 489-1 / EN 301 489-17. Forniremo al cliente una guida al funzionamento nel manuale d'uso.

Indicatore ONE-KEY™	
Blu fisso	La modalità wireless è attiva e pronta per essere configurata mediante l'app ONE-KEY™.
Blu lampeggiante	L'utensile comunica attivamente con l'app ONE-KEY™.
Rosso lampeggiante	L'utensile ha il blocco di sicurezza attivato e può essere sbloccato dal proprietario mediante l'app ONE-KEY™.

BATTERIE

Batterie non utilizzate per molto tempo devono essere ricaricate prima dell'uso.

A temperature superiori ai 50°C, la potenza della batteria si riduce.

Evitare di esporre l'accumulatore a surriscaldamento prolungato, dovuto ad esempio ai raggi del sole o ad un impianto di riscaldamento.

Per una ottimale vita utile è necessario ricaricare completamente le batterie dopo l'uso.

Per una più lunga durata, rimuovere le batterie dal caricabatterie quando saranno cariche.

In caso di immagazzinaggio della batteria per più di 30 giorni: Immagazzinare la batteria a circa 27°C in ambiente asciutto. Immagazzinare la batteria con carica di circa il 30% - 50%. Ricaricare la batteria ogni 6 mesi.

TRASPORTO DI BATTERIE AGLI IONI DI LITIO

Le batterie agli ioni di litio sono soggette alle disposizioni di legge sul trasporto di merce pericolosa.

Il trasporto di queste batterie deve avvenire rispettando le disposizioni e norme locali, nazionali ed internazionali.

Gli utilizzatori possono trasportare queste batterie su strada senza alcuna restrizione.

Il trasporto commerciale di batterie agli ioni di litio è regolato dalle disposizioni sul trasporto di merce pericolosa. Le preparazioni al trasporto ed il trasporto stesso devono essere svolti esclusivamente da persone idoneamente istruite. Tutto il processo deve essere gestito in maniera professionale.

Durante il trasporto di batterie occorre tenere conto di quanto segue:

Assicurarsi che i contatti siano protetti ed isolati per evitare corto circuiti. Accertarsi che il gruppo di batterie non possa spostarsi all'interno dell'imballaggio. Batterie danneggiate o batterie che perdono liquido non devono essere trasportate. Per ulteriori informazioni si prega di contattare il proprio trasportatore.

DISPOSITIVO ANTISOVRACCARICO ACCUMULATORE

In caso di sovraccarico dell'accumulatore dovuto ad un consumo molto elevato di corrente, ad es. momenti di coppia estremamente elevati, arresto improvviso o corto circuito, l'utensile elettrico vibra per 5 secondi, il display di carica lampeggia e l'elettroutensile si spegne automaticamente.

Per riaccenderlo rilasciare l'interruttore e poi riaccenderlo.

Se sottoposto a sollecitazioni estreme l'accumulatore si riscalda eccessivamente. In questo caso lampeggiano tutte le spie del display di carica finché l'accumulatore non è raffreddato. Quando il display di carica si spegne si può continuare a lavorare.

Inserire l'accumulatore nell'apparecchio carica-batterie per ricaricarlo e attivarlo.



ULTERIORI CONSIGLI D'USO

Per l'uso normale si prega di fare riferimento alle figure.

Inserire la spirale nel tubo muovendola leggermente in avanti ed indietro fino a quando l'ostruzione non sarà eliminata.

NOTA: Se l'utensile si incastra, rilasciare subito l'interruttore.

Come liberare uno sturatore incastrato:

1. Portare il selettore avanti/spengimento/indietro sulla posizione "indietro" e ruotare il collare di alimentazione su "Rotazione 0".
2. Far girare l'utensile all'indietro e tirarlo indietro per alcuni centimetri per liberare la spirale.
3. Spegnerne l'utensile.
4. Dopo che l'utensile si è completamente arrestato, azionare il selettore avanti/di spegnimento/indietro e portarlo nuovamente sulla posizione "avanti".

ATTENZIONE! Un continuato funzionamento dell'utensile in direzione di rotazione all'indietro può comportare il danneggiamento della spirale e degli accessori.

Se è difficile far passare il cavo attraverso il tubo di drenaggio o un altro raccordo, è possibile impiegare i seguenti metodi o una combinazione di essi.

1. Delle spinte discendenti esercitate con decisione sul cavo, con o senza il cavo in rotazione, possono aiutare a far passare il cavo attraverso un tubo di drenaggio.
2. Con il braccio della leva rilasciato, ruotando il cavo manualmente è possibile cambiare l'orientamento del tagliente in modo da permettergli di aderire meglio al raccordo.
3. Ruotare il cavo di spurgo in direzione di rotazione REV per diversi secondi spingendo in basso sul cavo. Eseguire questa operazione fino a infilare il cavo attraverso il tubo di drenaggio. L'utilizzo del cavo in direzione contraria può danneggiarlo.

Se queste opzioni non funzionano, provare con un cavo più flessibile o di diametro inferiore.

MONTAGGIO DELLA SPIRALE

Per il montaggio della spirale fare riferimento alle figure.

AVVERTENZA! La spirale è sotto pressione e durante il montaggio può improvvisamente rimbalzare in avanti, causando eventualmente delle lesioni. Indossare occhiali di protezione o occhiali con protezioni laterali per ridurre al minimo ogni rischio di lesione.

Indossare sempre guanti in pelle.

Leggere le istruzioni per l'uso. Utilizzare idonei dispositivi di protezione.

Durante l'uso dello sturatore è possibile entrare in contatto con agenti chimici, batteri o altre sostanze corrosive, tossiche o infettive.

Dopo l'uso lavare le mani con acqua calda e sapone.

MANUTENZIONE

Prima di iniziare togliere la batteria dalla apparecchio.

Pulire la spirale libera con un panno ed inserirla nuovamente nel tamburo.

Prima di immagazzinare lo sturatore, estrarre completamente la spirale. Pulire la spirale ed arrotolarla non troppo stretta.

Usare solo accessori Milwaukee e pezzi di ricambio Milwaukee. Gruppi costruttivi la cui sostituzione non è stata descritta, devono essere fatti cambiare da un punto di servizio di assistenza tecnica al cliente Milwaukee (vedi depliant garanzia/indirizzi assistenza tecnica ai clienti).

In caso di mancanza del disegno esploso, può essere richiesto al seguente indirizzo: Techtronic Industries GmbH, Max-Eyth-Straße 10, 71364 Winnenden, Germany.

DICHIARAZIONE DI CONFORMITÀ CE

Assumendone la piena responsabilità, dichiariamo che il prodotto descritto nei "Dati tecnici" è conforme alle pertinenti disposizioni delle direttive:

2011/65/UE (RoHS)

2006/42/CE

2014/30/UE

2014/53/UE

e che sono state applicate le seguenti norme armonizzate

EN 62841-1:2015

EN 62841-3-14:2017

EN 55014-1:2017+A11:2020

EN 55014-2:2015

EN 62479:2010

EN 300 328 V2.2.2

EN 301 489-1 V2.2.3

EN 301 489-17 V3.1.1

EN IEC 63000:2018



Winnenden. 2020-11-17

Alexander Krug / Managing Director

Autorizzato alla preparazione della documentazione tecnica

Techtronic Industries GmbH

Max-Eyth-Straße 10, 71364 Winnenden, Germany

SIMBOLI



ATTENZIONE! AVVERTENZA! PERICOLO!



Leggere attentamente le istruzioni per l'uso prima di mettere in funzione l'elettrostrumento.



Durante l'uso dell'apparecchio utilizzare sempre gli occhiali di protezione.



Indossare sempre guanti di protezione, preferibilmente in pelle!



Prima di iniziare togliere la batteria dall'apparecchio.



Accessorio - Non incluso nella dotazione standard, disponibile a parte come accessorio.



Non sollecitare eccessivamente i cavi.

Una sollecitazione eccessiva dei cavi può provocare l'intrecciamento, l'attorcigliamento o la rottura del cavo e causare lesioni gravi.



Selezione avanzamento/retrazione autom. ON



Selezione avanzamento/retrazione autom. OFF



rotazione in senso orario (in avanti)



rotazione in senso antiorario (all'indietro)



I dispositivi elettrici, le batterie e le batterie ricaricabili non devono essere smaltiti con i rifiuti domestici. I dispositivi elettrici e le batterie devono essere raccolti separatamente e devono essere conferiti ad un centro di riciclaggio per lo smaltimento rispettoso dell'ambiente. Chiedere alle autorità locali o al rivenditore specializzato dove si trovano i centri di riciclaggio e i punti di raccolta.



Questo dispositivo contiene una batteria a bottone al litio.

n₀ Numero di giri a vuoto

V Voltaggio



Corrente continua



Marchio di conformità europeo



Marchio di conformità britannico



Marchio di conformità ucraino



Marchio di conformità euroasiatico

Datos técnicos	M18 FSSM
Máquina de drenaje seccional	
Número de producción	4749 26 02... ... 000001-999999
Voltaje de batería	18 V \equiv
Velocidad en vacío n_0	0 - 700 min ⁻¹
Banda(s) de frecuencia Bluetooth	2402-2480 MHz
Potencia de radiofrecuencia	1,8 dBm
Versión Bluetooth	4,0 BT signal mode
Velocidad de inserción / retracción máx.	31 cm/s
Tamaño del cable de limpieza del desague	\varnothing 22 mm (7/8") & \varnothing 32 mm (1 1/4")
Longitud del cable seccional de limpieza del desague	4,5 m
Longitud máx. del cable de limpieza del desague	60 m
Diámetro recomendado de la tubería	\varnothing 50 - 200 mm
Longitud del tubo piloto / de la manguera de guía	3500 mm
Tamaño del tubo piloto / de la manguera de guía	\varnothing 50 mm
Peso de acuerdo con el procedimiento EPTA 01/2014 (con batería de iones de litio 12,0 Ah)	33,32 kg
Peso sin batería, cable de desague y manguera de guía.	31,75 kg
Peso sin batería pero con manguera de guía	37,55 kg
Temperatura ambiente recomendada para la operación	-18°C ... +50°C
Juegos de baterías recomendados	M18HB...; M18B...
Cargadores recomendados	M12-18...; M1418C6
Información sobre ruidos	
Determinación de los valores de medición según norma EN 62841. El nivel de ruido típico del aparato determinado con un filtro A corresponde a:	
Presión acústica (Tolerancia K=3dB(A))	69,21 dB (A)
Resonancia acústica (Tolerancia K=3dB(A))	80,21 dB (A)
Usar protectores auditivos!	



ADVERTENCIA

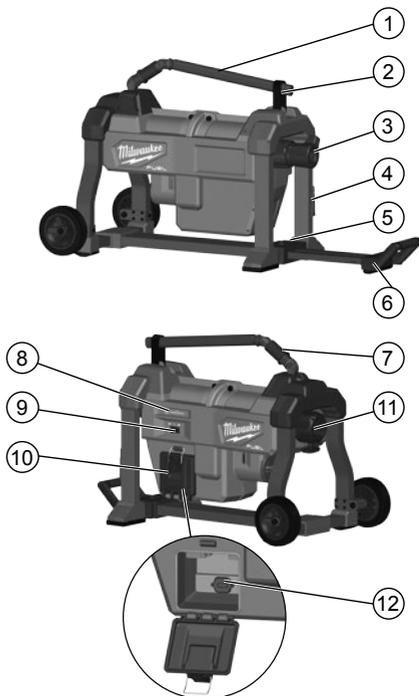
El valor de emisión de ruidos indicado en esta hoja informativa ha sido medido conforme a un método de medición de pruebas estandarizado en la norma EN 62841, y puede utilizarse para la comparación entre herramientas. También es apropiado para una estimación provisional de la carga.

El valor de emisión de ruidos indicado representa las aplicaciones principales de la herramienta. Si por el contrario se usase la herramienta para otras aplicaciones o con accesorios diferentes o no se realizase el suficiente mantenimiento de la misma, el valor de emisión de ruidos puede ser diferente. Esto puede incrementar sensiblemente la carga durante todo el periodo de trabajo. Para una estimación exacta de la carga provocada por ruidos deberían tenerse en cuenta también los tiempos durante los que la herramienta está apagada o, pese a estar en funcionamiento, no está siendo realmente utilizado. Esto puede reducir sensiblemente la carga durante todo el periodo de trabajo.

Adopte medidas de seguridad adicionales para la protección del operador frente al efecto de los ruidos, como por ejemplo: Mantenimiento de la herramienta y de los accesorios y organización de procesos de trabajo.

¡Utilice protección auditiva! La exposición a niveles de ruido excesivos puede causar la pérdida de audición.

⚠ ADVERTENCIA! Lea las indicaciones de seguridad, instrucciones, descripciones y datos que se incluyen en el aparato. En caso de no atenerse a las instrucciones siguientes, ello puede provocar una electrocución, incendio y/o lesiones serias. **Guardar todas las advertencias de peligro e instrucciones para futuras consultas.**



Descripción del dispositivo

- | | |
|-------------------------------|---|
| ① Brazo de la palanca | ⑦ Cuello del brazo de la palanca |
| ② Gancho de transporte | ⑧ Indicador ONE-KEY™ |
| ③ Cuello de inserción | ⑨ Adelante/Off/Atrás |
| ④ Gancho del cable | ⑩ Compuerta de la batería |
| ⑤ Botón de desbloqueo del asa | ⑪ Conexión de la manguera de guía posterior |
| ⑥ Asa telescópica | ⑫ Compartimento de batería ONE-KEY |

INSTRUCCIONES DE SEGURIDAD PARA LIMPIADORES DE TUBOS

Utilice siempre la manguera de guía posterior mientras utilice la herramienta y asegure que el cable no se extienda más allá de la manguera de guía posterior. Esto previene que el cable latigue, lo cual podría producir enredos y lesiones personales.

El limpiador de tubos solo se debe utilizar para tubos de los tamaños indicados. El uso de un limpiador de tubos de un tamaño incorrecto puede provocar que la espiral se tuerza, doble o rompa o que se produzcan lesiones.

Agarre la espiral giratoria solo con los guantes recomendados por el fabricante. Los guantes de látex o aquellos que quedan holgados, así como los paños pueden enredarse alrededor de la espiral y provocar lesiones graves.

Mientras que la espiral esté girando, asegúrese de que la punta de la espiral no se enganche. De lo contrario, la espiral se puede sobrecargar y torcerse de forma excesiva, doblarse o romperse, lo cual puede provocar lesiones graves.

Si el tubo de desagüe a limpiar contiene sustancias químicas, bacterias u otras sustancias tóxicas o agentes infecciosos, use dentro de los guantes de protección recomendados por el fabricante guantes de látex o de goma, así como gafas protectoras, protectores faciales, ropa de protección y máscara de protección respiratoria. Las tuberías pueden contener sustancias químicas, bacterias u otras sustancias, que pueden ser tóxicas o infecciosas y provocar quemaduras u otras lesiones graves.

Respete las normas de higiene. No coma ni fume mientras use el dispositivo. Después de manejar o usar dispositivos de limpieza de tubos siempre se deben limpiar con agua caliente y jabón las manos y aquellas partes del cuerpo que han estado en contacto con el contenido del tubo. De esta forma reducirá los riesgos para la salud debidos al contacto con sustancias tóxicas o infecciosas.

Instrucciones adicionales de seguridad y laborales

Mantenga una mano con guante en el cable siempre que la herramienta esté en marcha. Esto proporciona un mejor control del cable y ayuda a prevenir que se enrolle, doble o rompa el cable, lo que podría resultar en lesiones personales graves.

Antes de su uso, compruebe que la espiral no presenta marcas de desgaste o daños. Sustituya toda espiral desgastada o dañada antes de usar el limpiador de tubos.

No torcer, doblar o curvar de forma excesiva la espiral. La rotura de la espiral puede provocar lesiones graves.

Inspeccione el tubo a limpiar antes de usar el dispositivo.

Defina en la medida de lo posible el/los punto(s) de acceso, diámetro y longitud del tubo, así como la distancia a la red principal de tuberías, el tipo de obstrucción y la existencia de agentes

de limpieza de tubos o de otras sustancias químicas. Si existen sustancias químicas en el tubo de desagüe, se deberán tomar las medidas de seguridad correspondientes. Póngase en contacto con el fabricante de la sustancia química para recibir las informaciones necesarias.

No utilice esta herramienta si el usuario o la herramienta se encuentran dentro del agua. Utilizar la herramienta dentro del agua aumenta el riesgo de descarga eléctrica.

En caso necesario, cubra el área de trabajo para protegerla. La limpieza de tubos de desagüe puede convertirse en un asunto sucio.

Asegúrese de que la espiral está completamente enrollada. De esta forma evitará el golpe seco de la espiral cuando se activa.

Sitúe el limpiador del desagüe a una distancia que no exceda los 60 cm desde la abertura del desagüe. Si el limpiador del desagüe no puede situarse a dos pies desde la abertura del desagüe, la abertura deberá prolongarse utilizando una tubería y empalmes de tamaño similar. Si la distancia es mayor, resultará difícil controlar la espiral y esta se podrá torcer, doblar o romper.

El manejo de la espiral y del disparador de activación y desactivación debe ser realizado por la misma persona. Si la herramienta para de girar, el usuario debe poder apagar la herramienta para prevenir que el cable se enrolle, doble, rompa o latiguee.

Salvo en los casos mencionados en estas instrucciones, no se debe girar la espiral hacia atrás. Hacer que la herramienta funcione hacia atrás por periodos prolongados puede causar daños al cable y a los accesorios.

Use siempre el sentido común y tenga cuidado al utilizar herramientas. No es posible anticipar cada situación que podría provocar un resultado peligroso. No utilice esta herramienta si no entiende estas instrucciones de funcionamiento o si cree que el trabajo va más allá de sus capacidades; comuníquese con Milwaukee Tool o con un profesional capacitado para obtener información adicional o capacitación.

No retirar las etiquetas ni las placas de características.

Estas placas contienen informaciones importantes. Si faltan estas placas indicativas o dejan de ser legibles, póngase en contacto con el servicio de atención al cliente de MILWAUKEE para recibir un recambio de forma gratuita.

ADVERTENCIA! Parte del polvo creado por el lijado eléctrico, el aserrado, el desbaste, el taladrado y otras actividades de construcción contienen sustancias químicas que se sabe que causan cáncer, defectos de nacimiento u otros daños reproductivos. Algunos ejemplos de estos químicos son:

- el plomo de la pintura a base de plomo
- el sílice cristalino de ladrillos y cemento y otros productos de albañilería, y
- el arsénico y el cromo de la madera tratada químicamente.

El riesgo de estas exposiciones varía según la frecuencia con la que realice este tipo de trabajo.

Para reducir su exposición a estos productos químicos, trabaje en un área bien ventilada y trabaje con los equipos de seguridad aprobados, como máscaras contra el polvo especialmente diseñadas para filtrar partículas microscópicas.

Utilice el equipamiento de protección. Mientras trabaje con la máquina lleve siempre gafas protectoras. Se recomienda utilizar ropa de protección como máscara protectora contra el polvo, guantes protectores, calzado resistente y antideslizante, casco y protección para los oídos.

El polvo que se produce durante estos trabajos puede ser nocivo a la salud; es por ello aconsejable que no penetre al cuerpo. Utilice por ello una máscara protectora contra polvo.



E

No se deben trabajar materiales que conlleven un riesgo para la salud (por ej. amianto).

¡En caso de que se bloquee el útil, el aparato se debe desconectar inmediatamente! No vuelva a conectar el aparato, mientras el útil esté bloqueado; se podría producir un rechazo debido a la reacción de retroceso brusca. Averigüe y elimine la causa del bloqueo del útil, teniendo en cuenta las indicaciones de seguridad.

Retire la batería antes de comenzar cualquier trabajo el aparato.

No tire las baterías usadas a la basura ni al fuego. Los Distribuidores Milwaukee ofrecen un servicio de recogida de baterías antiguas para proteger el medio ambiente.

No almacene la batería con objetos metálicos (riesgo de cortocircuito).

En caso de sobrecarga o alta temperatura, pueden llegar a producirse escapes de ácido provenientes de la batería. En caso de contacto con éste, limpie inmediatamente la zona con agua y jabón.

Si el contacto es en los ojos, límpiese concienzudamente con agua durante 10 minutos y acuda inmediatamente a un médico

Para reducir el riesgo de incendio, lesiones personales y daños al producto debido a un cortocircuito, no sumerja nunca la herramienta, el paquete de baterías o el cargador en líquido ni permita que fluya un fluido dentro de ellos. Los fluidos corrosivos o conductivos, como el agua de mar, ciertos productos químicos industriales y blanqueadores o lejías que contienen, etc., Pueden causar un cortocircuito.

Recargar solamente los acumuladores del Sistema M18 en cargadores M18. No intentar recargar acumuladores de otros sistemas.

No abra nunca las baterías ni los cargadores y guárdelos sólo en lugares secos. Protéjalos de la humedad en todo momento.

ADVERTENCIA



Este dispositivo contiene una batería de litio de botón. En caso de ingesta o de que entre en el cuerpo, una batería nueva o usada puede provocar quemaduras internas y causar la muerte en 2 horas. Asegure siempre la tapa del compartimento de la batería. Si no se cierra correctamente, detenga el dispositivo, retire la batería o mantenga fuera del alcance de los niños. Si cree que alguien puede haber ingerido la batería o que puede haber entrado en el cuerpo de alguna otra manera, acuda inmediatamente a un médico.

APLICACIÓN DE ACUERDO A LA FINALIDAD

La máquina de drenaje seccional es una máquina de limpieza de desagües que se utiliza para limpiar tuberías secundarias de drenaje como las que se encuentran en cocinas, baños y lavaderos.

ONE-KEY™

Para obtener más información sobre la función ONE-KEY de esta herramienta, lea la guía de inicio rápido adjunta o visite nuestra web en <http://www.milwaukeeetool.com/one-key>.

Puede descargar en su teléfono móvil la aplicación ONE-KEY en la App Store o en Google Play. El resultado de la prueba cumple con los requisitos mínimos conforme a EN 301 489-1 / EN 301 489-17. Y ofreceremos al cliente las indicaciones de uso en nuestro manual de usuario.

Indicador ONE-KEY™

Azul continuo	El modo inalámbrico está activo y listo para ser configurado a través de la aplicación ONE-KEY™.
Azul parpadeante	La herramienta se comunica de forma activa con la aplicación ONE-KEY™.
Rojo parpadeante	La herramienta se encuentra en bloqueo de seguridad y el propietario puede desbloquearla a través de la aplicación ONE-KEY™.

BATERIA

Las baterías no utilizadas durante cierto tiempo deben ser recargadas antes de usar.

Las temperaturas superiores a 50°C reducen el rendimiento de la batería. Evite una exposición excesiva a fuentes de calor o al sol (riesgo de sobrecalentamiento).

Los puntos de contacto de los cargadores y las baterías se deben mantener limpios.

Para un tiempo óptimo de vida, deberán cargarse las baterías completamente después de su uso.

Para garantizar la máxima capacidad y vida útil, las baterías recargables se deberían retirar del cargador una vez finalizada la carga.

En caso de almacenar la batería recargable más de 30 días:

Almacenar la batería recargable en un lugar seco a una temperatura de aproximadamente 27°C. Almacenar la batería recargable con un estado de carga del 30% y 50% aproximadamente. Recargar la batería cada 6 meses.

TRANSPORTE DE BATERÍAS DE IONES DE LITIO

Las baterías de iones de litio caen bajo las disposiciones legales relativas al transporte de mercancías peligrosas.

El transporte de estas baterías recargables debe llevarse a cabo, observando las normas y disposiciones locales, nacionales e internacionales.

Los consumidores pueden transportar estas baterías recargables sin el menor reparo en la calle.

El transporte comercial de baterías recargables de iones de litio por empresas de transportes está sometido a las disposiciones del transporte de mercancías peligrosas. Las preparaciones para el envío y el transporte deben ser llevados a cabo exclusivamente por personas instruidas adecuadamente. El proceso completo debe ser supervisado por personal competente.

Los siguientes puntos se deben observar para el transporte de las baterías recargables:

Se debe asegurar que los contactos estén protegidos y aislados para evitar que se produzcan cortocircuitos. Preste atención a que el conjunto de baterías recargables no se pueda desplazar dentro del envase. Las baterías recargables deterioradas o derramadas no se deben transportar. Rogamos que para cualquier información adicional se dirija a su empresa de transportes.

PROTECCIÓN CONTRA SOBRECARGA DE LA BATERÍA

En caso de sobrecarga de la batería a causa de un consumo de corriente demasiado elevado, por ejemplo, en momentos de torsión extremadamente altos, de una parada o cortocircuito repentinos; el aparato eléctrico vibra durante 5 segundos, el indicador de carga parpadea y el aparato eléctrico se desconecta automáticamente. Para conectarlo de nuevo, soltar el botón de encendido y después conectarlo otra vez.

Bajo cargas extremas la batería se calienta demasiado. En este caso, todas las luces del indicador de carga parpadean hasta que la batería se enfría. Cuando se apaga el indicador de carga se puede trabajar de nuevo.

Meta entonces la batería en el cargador para recargarla otra vez y activarla.

CONSEJOS ADICIONALES PARA EL USO

Tenga en cuenta lo representado en las imágenes para el uso correcto del dispositivo.

Inserte la espiral en el tubo con un ligero movimiento hacia delante y hacia atrás.

INDICACIÓN: Si se bloquea la herramienta, soltar inmediatamente el disparador.

Cómo liberar un limpiador de tubos bloqueado:

1. Lleve el interruptor adelante/off/atrás a la posición Atrás y gire el cuello de inserción a Giro 0.
2. Tirar hacia atrás la herramienta varios centímetros en sentido de giro hacia atrás para liberar la espiral.
3. Detenga la herramienta.
4. Una vez que la herramienta se haya detenido completamente, vuelva a colocar el interruptor adelante/off/atrás a la posición adelante.

¡CUIDADO! El funcionamiento continuado de la herramienta en sentido de giro hacia delante puede provocar daños en la espiral y los accesorios.

Si fuera difícil hacer pasar el cable a través de un sifón o de otros empalmes, se podrán utilizar los siguientes métodos o combinaciones de los mismos.

1. Envistes descendentes bruscos sobre el cable, ambos con y sin rotar el cable pueden ayudar a que este pase a través de un sifón.
2. Con el brazo de la palanca liberado, rotar el cable manualmente puede cambiar la orientación del cortador para permitirle pasar más fácilmente por el empalme.
3. Haga funcionar el limpiador del desagüe hacia atrás durante algunos segundos mientras empuja el cable hacia abajo. Haga esto únicamente hasta conseguir que el cable atraviese el sifón. Hacer pasar el cable hacia atrás puede dañarlo.

Si estas opciones no funcionan, considere utilizar un diámetro más pequeño o un cable más flexible.

MONTAR LA ESPIRAL

Tenga en cuenta lo representado en las imágenes para montar la espiral.

¡ADVERTENCIA! La espiral está montada a presión y durante el montaje puede salir disparada, lo cual puede provocar lesiones. Utilice unas gafas protectoras o unas gafas con protección lateral para reducir al máximo el riesgo de lesiones.

Utilice siempre guantes de cuero.

Lea el manual de instrucciones. Utilice un equipo de protección adecuado.

Al usar el limpiador de tubos puede entrar en contacto con sustancias químicas, bacterias u otras sustancias corrosivas, tóxicas o infecciosas.

Después de usar, lavarse las manos con agua caliente y jabón.

MANTENIMIENTO

Retire la batería antes de comenzar cualquier trabajo el aparato.

Passar un trapo y limpiar el cable expuesto y volver a introducirlo en el tambor.

Antes de guardar el limpiador de tubos, extraer el cable por completo. Limpiar el cable y enrollarlo dejándolo ligeramente suelto.

Utilice solamente accesorios y repuestos Milwaukee. En caso de necesitar reemplazar componentes no descritos, contacte con cualquiera de nuestras estaciones de servicio Milwaukee (consultar lista de servicio técnicos)

En caso necesario, puede solicitar un despiece de la herramienta. Por favor indique el número de impreso que hay en la etiqueta y pida el despiece a la siguiente dirección: Techtronic Industries GmbH, Max-Eyth-Straße 10, 71364 Winnenden, Germany.

DECLARACIÓN DE CONFORMIDAD CE

Declaramos bajo nuestra única responsabilidad que el producto descrito bajo „Datos técnicos“ cumple todas las disposiciones pertinentes de las directivas:

2011/65/UE (RoHS)

2006/42/CE

2014/30/UE

2014/53/UE

y que se han implementado y estándares

EN 62841-1:2015

EN 62841-3-14:2017

EN 55014-1:2017+A11:2020

EN 55014-2:2015

EN 62479:2010

EN 300 328 V2.2.2

EN 301 489-1 V2.2.3

EN 301 489-17 V3.1.1

EN IEC 63000:2018



Winnenden. 2020-11-17

Alexander Krug / Managing Director

Autorizado para la redacción de los documentos técnicos.

Techtronic Industries GmbH

Max-Eyth-Straße 10, 71364 Winnenden, Germany

SÍMBOLOS



¡ATENCIÓN! ¡ADVERTENCIA! ¡PELIGRO!



Lea las instrucciones detenidamente antes de conectar la herramienta



Para trabajar con la máquina, utilizar siempre gafas de protección.



¡Utilice siempre guantes de protección, preferentemente de cuero!



Retire la batería antes de comenzar cualquier trabajo el aparato.



Accesorio - No incluido en el equipo estándar, disponible en la gama de accesorios.



No someta los cables a cargas excesivas.
Someter los cables a cargas excesivas puede hacer que el cable se enrolle, doble o rompa, lo que podría resultar en lesiones personales graves.



Selección de inserción / retracción automática On



Selección de inserción / retracción automática Off



Giro en sentido horario (adelante)



Giro en sentido antihorario (atrás)



Los electrodomésticos y las baterías/acumuladores no se deben eliminar junto con la basura doméstica. Los aparatos eléctricos y los acumuladores se deben recoger por separado y se deben entregar a una empresa de reciclaje para una eliminación respetuosa con el medio ambiente. Infórmese en las autoridades locales o en su tienda especializada sobre los centros de reciclaje y puntos de recogida.



Este dispositivo contiene una batería de litio de botón.

n₀

Velocidad en vacío

V

Tensión



Corriente continua



Marcado de conformidad europeo



Marcado de conformidad británico



Marcado de conformidad ucraniano

001



Marcado de conformidad euroasiático

Características técnicas	M18 FSSM
Máquina desentupidora de esgotos seccionada	
Número de produção	4749 26 02... ... 000001-999999
Tensão do acumulador	18 V \equiv
Velocidade em vazio n_0	0 - 700 min ⁻¹
Banda de frequência Bluetooth (bandas de frequência)	2402-2480 MHz
Potência de radiofrequências	1,8 dBm
Versão Bluetooth	4,0 BT signal mode
Velocidade de alimentação / retração no máx.	31 cm/s
Tamanho do cabo do sistema de limpeza de esgotos	ø 22 mm (7/8") & ø 32 mm (1 1/4")
Comprimento do cabo seccionado do sistema de limpeza de esgotos	4,5 m
Tamanho máx. do cabo do sistema de limpeza de esgotos	60 m
Diâmetro de tubo recomendado	ø 50 - 200 mm
Comprimento do tubo-piloto/da mangueira-guia	3500 mm
Tamanho do tubo-piloto/da mangueira-guia	ø 50 mm
Peso nos termos do procedimento-EPTA 01/2014 (com bateria de iões de lítio 12,0 Ah)	33,32 kg
Peso sem bateria, cabo de drenagem e mangueira-guia.	31,75 kg
Peso sem bateria, mas com mangueira-guia	37,55 kg
Temperatura ambiente recomendada para a operação	-18°C ... +50°C
Conjuntos de baterias recomendados	M18HB...; M18B...
Carregadores recomendados	M12-18...; M1418C6
Informações sobre ruído	
Valores de medida de acordo com EN 62841. O nível de ruído avaliado A do aparelho é tipicamente:	
Nível da pressão de ruído (Incertez K=3dB(A))	69,21 dB (A)
Nível da potência de ruído (Incertez K=3dB(A))	80,21 dB (A)
Use protectores auriculares!	



ATENÇÃO

O valor de emissão sonora indicado neste folheto foi medido de acordo com um processo de teste normalizado na norma EN 62841 e pode ser usado para comparar ferramentas. Ele também se destina a avaliar provisoriamente o nível de ruído.

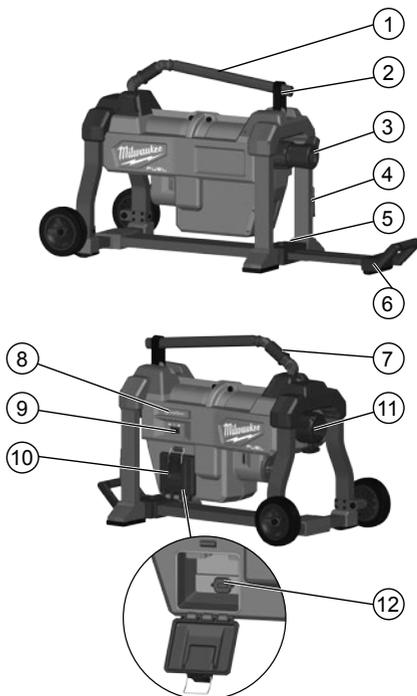
O valor de emissão sonora indicado representa as aplicações principais da ferramenta. Se a ferramenta for usada para outras aplicações ou com outros acessórios ou não for mantida suficientemente, o valor de emissão sonora pode aumentar-se significativamente durante o período de trabalho inteiro.

Para avaliar exatamente o nível de ruído também devem ser considerados os períodos em que a ferramenta está desligada ou está a operar, mas não está realmente sendo usada. Isso pode reduzir significativamente o nível de ruído durante o período de trabalho inteiro.

Determine medidas de segurança suplementares para a proteção do utilizador contra o efeito do ruído como, por exemplo: manutenção da ferramenta e dos acessórios e organização dos processos de trabalho.

Sempre use a protecção dos ouvidos. Os ruídos podem causar surdez.

⚠ ATENÇÃO! Ler todas as indicações de segurança, instruções, representações e dados fornecidos juntamente com o aparelho. O desrespeito das seguintes instruções pode levar a um choque eléctrico, incêndio e/ou graves lesões. **Guarde bem todas as advertências e instruções para futura referência.**



Descrição do dispositivo

- ① Braço da alavanca
- ② Gancho de transporte
- ③ Anel de alimentação
- ④ Gancho do cabo
- ⑤ Botão para soltar a pega
- ⑥ Pega telescópica
- ⑦ Anel do braço da alavanca
- ⑧ Indicador ONE-KEY™
- ⑨ Forward/Off/Reverse (Para a Frente/Desligado/Para Trás)
- ⑩ Porta da bateria
- ⑪ Ligaç o da mangueira-guia traseira
- ⑫ Porta do compartimento da bateria ONE-KEY

⚠ INSTRUÇÕES DE SEGURANÇA PARA LIMPADORES DE TUBOS

Enquanto estiver a trabalhar com a ferramenta, utilize sempre a mangueira-guia traseira e certifique-se de que o cabo n o se estende para al m da mangueira-guia traseira. Isso impede que o cabo produza um efeito de chicote, que poderia resultar em emaranhamentos e danos corporais.

S  use o limpador de tubos para o tamanho de tubos recomendado. A utiliza o de um limpador de tubos de tamanho errado pode levar ao torcer, dobrar ou quebrar da espiral e causar feridas pessoais.

S  toque na espiral em rota o com as luvas recomendadas pelo fabricante. Luvas de l tex ou soltas ou panos podem enrolar-se na espiral e causar feridas graves.

Assegure-se de que a ponta da espiral n o fique emperrada enquanto a espiral girar. Caso contr rio, a espiral poderia ser sobre carregada e torcer-se demasiadamente, dobrar-se ou quebrar, o que poderia causar feridas graves.

Use luvas de l tex ou de borracha dentro das luvas recomendadas pelo fabricante,  culos de protec o, uma protec o do rosto, roupas de protec o e m scaras respirat rias, quando for prov vel que produtos qu micos, bact rias ou outra subst ncias t xicas ou infantantes estejam na tubula o. Os tubos podem conter produtos qu micos, bact rias e outras subst ncias que podem causar queimaduras, ser t xicos ou infantantes ou causar outras feridas pessoais graves.

Observe as instru es de higiene. N o coma ou fume ao manejar ou usar a ferramenta. Depois de manejar ou usar o equipamento de limpeza de tubos, use  gua quente e sabonete para lavar as m os e outras partes do corpo expostas aos cont duos do tubo. Isso ajuda a reduzir o risco de sa de devido   exposi o a materiais t xicos ou infantantes.

Instru es de seguran a e trabalho suplementares

Sempre que a ferramenta estiver em funcionamento, mant ha uma m o enluvada no cabo. Isso permite-lhe controlar melhor o cabo e ajuda a impedir a tor o, dobragem ou quebra do mesmo, que poderiam resultar em danos corporais graves.

Antes do uso, verifique se a espiral est  desgastada ou danificada. Substitua uma espiral desgastada ou danificada antes de usar o limpador de tubos.

N o tor a, dobre ou estique demasiadamente a espiral. A ruptura da espiral pode causar feridas graves.

Verifique o tubo a limpar antes do uso. Caso poss vel, determine o(s) ponto(s) de acesso no tubo, o(s) tamanho(s) e comprimento(s) do tubo, a dist ncias  s linhas principais, o tipo de bloqueio, a presen a de produtos de limpeza qu micos ou de outras subst ncias qu micas, etc. Se houver subst ncias no tubo, tome as medidas de protec o correspondentes. Contate o fabricante das subst ncias qu micas para obter as informa es necess rias.

N o acione esta ferramenta se a mesma, ou o respetivo utilizador, estiverem em contacto com a  gua. Trabalhar com a ferramenta em contacto com a  gua aumenta o risco de ocorr ncia de choques el tricos.

Caso necess rio, cubra a  rea de trabalho. A limpeza de tubos de esgoto pode ser um trabalho sujo.

Assegure-se de que a espiral esteja inteiramente enrolada. Isso evita que ela chicoteie ao ligar o aparelho.

Coloque o sistema de limpeza de esgotos a uma dist ncia n o superior a 60 cm da abertura do esgoto. Se o sistema de limpeza de esgotos n o puder ser posicionado   dist ncia de 60 cm da abertura do esgoto, a extens o dessa abertura ter  de ser aumentada, atrav s da utiliza o de tubagem e acess rios de tamanho semelhante. Dist ncias maiores podem causar problemas de controle e torcer, dobrar ou quebrar a espiral.

O interruptor e a espiral devem ser comandados por uma s  pessoa. Se a ferramenta parar de girar, o utilizador ter  de conseguir deslig -la, a fim de evitar a tor o, dobra, quebra ou efeito de chicote do cabo.

Com exce o das situa es descritas no presente manual, a espiral n o deve ser girada para tr s. O funcionamento da ferramenta em sentido inverso por per odos prolongados pode danificar o cabo e os acess rios.

Ao utilizar ferramentas, fa a-o sempre com bom senso e cautela. N o   poss vel prever todas as situa es potencialmente conducentes a um resultado perigoso. Se n o entender estas instru es ou achar que o trabalho excede a sua capacidade, n o utilize esta ferramenta. Contacte a Milwaukee Tool ou um profissional credenciado, a fim de obter informa es adicionais ou forma o.

N o remova as etiquetas e as placas de identifica o. Elas cont m informa es importantes. Se estas placas estiverem ileg veis ou faltarem, contate a assist ncia t cnica da MILWAUKEE para que sejam substituídas.

ATEN O! Algumas poeiras originadas pelo lixamento, serragem, rebarbagem, fura o e outra atividades de constru o cont m subst ncias qu micas causadoras de cancro, deforma es cong nitas ou outros danos reprodutivos. Alguns exemplos destes produtos qu micos s o:

- chumbo proveniente de tintas   base de chumbo
- s lica cristalina proveniente de tijolos, cimento e outros produtos de alvenaria, e
- ars nico e cromo provenientes de madeiras tratadas qu micamente.

O seu risco associado a estas exposi es   vari vel, dependendo da quantidade de vezes que realiza este tipo de trabalho.

Para reduzir a sua exposi o a estes produtos qu micos, trabalhe numa  rea bem ventilada e com equipamento de seguran a aprovado, como m scaras de poeira especialmente concebidas para filtrar part culas microsc picas.

Utilizar equipamento de protec o. Durante os trabalhos com a m quina, usar sempre  culos de protec o. Vestu rio de protec o, bem como m scara de p , sapatos fechados e antiderrapante, capacete e protec o auditiva s o recomendados.

O p  que resulta ao trabalhar pode ser nocivo para a sa de, por isso n o devendo penetrar no corpo. Use uma m scara de protec o contra p  apropriada.

N o devem ser processados materiais que representem um perigo para a sa de (p. ex. asbesto).

Desligue o aparelho imediatamente, quando a ferramenta de inser o bloquear! N o ligue o aparelho novamente durante o bloqueio da ferramenta de inser o, pois isso pode levar a um recuo repentino com uma alta for a reactiva. Verifique e elimine a causa

do bloqueio da ferramenta de inserção, observando as instruções de segurança.

Antes de efectuar qualquer intervenção o aparelho retirar o bloco acumulador.

Não queimar acumuladores gastos nem deitá-los no lixo doméstico. A Milwaukee possui uma eliminação de acumuladores gastos que respeita o meio ambiente.

Não guardar acumuladores junto com objectos metálicos (perigo de curto-circuito).

Em caso de cargas ou temperaturas extremas, um acumulador de substituição danificado poderá verter líquido de bateria. Se entrar em contacto com este líquido, deverá lavar-se imediatamente com água e sabão. Em caso de contacto com os olhos, enxágüe-os bem de imediato durante pelo menos 10 minutos e consulte um médico o mais depressa possível.

Para evitar o risco de incêndio, de feridas ou de danificação do produto causado por um curto-circuito, não imerja a bateria intercambiável ou o carregador em líquidos e assegure-se de que líquidos não penetrem nos aparelhos ou nas baterias. Líquidos corrosivos ou condutivos como água salgada, determinadas substâncias químicas ou produtos que contenham branqueadores podem causar um curto-circuito.

Use apenas carregadores do Sistema M18 para recarregar os acumuladores do Sistema M18. Não utilize acumuladores de outros sistemas.

Carregadores só devem ser utilizados em recintos secos.

ATENÇÃO

 Este dispositivo contém uma pilha de célula de lítio tipo botão/moeda. Uma pilha de nova ou usada pode causar queimaduras internas graves e levar à morte em menos de 2 horas, em caso de ingestão ou se ela penetrar no corpo. Fixe sempre a tampa do compartimento da pilha. Se ela não for fechada seguramente, pare o dispositivo, remova a pilha e mantenha-a fora do alcance de crianças. Se achar que alguém engoliu a pilha ou se ela tiver de algum outro modo penetrado no corpo, procure imediatamente um médico.

UTILIZAÇÃO AUTORIZADA

A máquina desentupidora de esgotos seccionada é uma máquina da limpeza de esgotos que se utiliza para limpar condutas de esgoto secundárias, tais como as que se encontram nas cozinhas, casas de banho e compartimentos de serviços de utilidade pública.

ONE-KEY™

Para saber mais sobre a funcionalidade ONE-KEY desta ferramenta, ler o manual de arranque rápido em anexo ou visitar o nosso site na Internet em <http://www.milwaukeeetool.com/one-key>

Pode-se descarregar a app ONE-KEY para o smartphone através da App Store ou do Google Play. O resultado do teste satisfaz as nossas exigências mínimas nos termos das normas EN 301 489-1 / EN 301 489-17. Forneceremos ao cliente a orientação de operação contida no manual do utilizador.

Indicador ONE-KEY™	
Azul fixo	O modo sem fios encontra-se ativo e pronto para ser configurado através da aplicação ONE-KEY™.
Azul intermitente	A ferramenta está a comunicar ativamente com a aplicação ONE-KEY™.
Vermelho intermitente	As ferramentas encontram-se sujeitas a um bloqueio de segurança e podem ser desbloqueadas pelo proprietário através da aplicação ONE-KEY™.

ACUMULADOR

Acumuladores não utilizados durante algum tempo devem ser recarregados antes da sua utilização.

Temperaturas acima de 50°C reduzem a capacidade do bloco acumulador. Evitar exposição prolongada ao sol ou a caloríferos.

Mantenha limpos os contactos eléctricos no carregador e no bloco acumulador.

Para uma vida útil óptima das baterias, terá que carregá-las plenamente após a sua utilização.

Para assegurar uma vida útil longa, o pacote de bateria deve ser removido da carregadora depois do carregamento.

Se o pacote de bateria for armazenado por mais de 30 dias: Armazene o pacote de bateria com aprox. 27°C em um lugar seco. Armazene o pacote de bateria com aprox. 30%-50% da carga completa. Carregue o pacote de bateria novamente de 6 em 6 meses.

TRANSPORTE DE BATERIAS DE IÃO-LÍTIO

Baterias de ião-lítio estão sujeitas às disposições da legislação relativa às substâncias perigosas.

O transporte destas baterias deve ser efetuado de acordo com as disposições e os regulamentos locais, nacionais e internacionais.

O utilizador pode efetuar o transporte rodoviário destas baterias sem restrições.

O transporte comercial de baterias de ião-lítio por terceiros está sujeito aos regulamentos relativos às substâncias perigosas. A preparação do transporte e o transporte devem ser executados exclusivamente por pessoas instruídas e o processo deve ser acompanhado pelos especialistas correspondentes.

Observe o seguinte no transporte de baterias:

Assegure-se de que os contactos terminais estejam protegidos e isolados para evitar um curto-circuito. Assegure-se de que o bloco da bateria esteja protegido contra movimentos na embalagem. Não transporte baterias danificadas ou que tenham fuga. Para instruções mais detalhadas consulte a companhia de transportes

PROTECÇÃO DE SOBRECARGA DE BATERIA

No caso de sobrecarga da bateria devido a um consumo de corrente demasiado elevado, por exemplo um binário de rotação extremamente elevado, uma paragem repentina ou um curto-circuito, a ferramenta eléctrica vibra durante 5 segundos, o indicador de carregamento de bateria começa a piscar e a ferramenta eléctrica desliga-se automaticamente.

Para a ligar novamente, desligar e voltar a ligar o interruptor. Sob condições extremas, a bateria aquece demasiado. Nesse caso, todas as luzes do indicador de carregamento de bateria piscam até que esta arrefeça. Após as luzes do indicador de carregamento de bateria se apagarem, pode-se continuar a trabalhar.

Voltar então a colocar o acumulador no carregador para o carregar de novo e para assim o activar.



Por

DICAS SUPLEMENTARES PARA A UTILIZAÇÃO

Para a utilização normal veja as figuras.

Insira a espiral no tubo com um movimento para a frente e para trás suave, até o entupimento estiver removido.

NOTA: Se a ferramenta ficar emperrada, solte o interruptor imediatamente.

Para soltar o limpador de tubos:

1. Passe o interruptor „forward/off/reverse“ (para a frente/desligado/para trás) para a posição „reverse“ (para trás) e rode o anel de alimentação de forma a deixá-lo na posição „Spin 0“ (Rotação 0).
2. Puxe a ferramenta alguns centímetros para trás para liberar a espiral.
3. Interrompa o funcionamento da ferramenta.
4. Assim que a ferramenta tiver parado de funcionar por completo, passe novamente o interruptor „forward/off/reverse“ (para a frente/desligado/para trás) para a posição „forward“ (para a frente).

CUIDADO! A operação contínua da ferramenta na direção para trás pode danificar a espiral e os acessórios.

Se for difícil fazer com que o cabo passe através de um sifão, ou de qualquer outra peça, poderão ser utilizados os seguintes métodos ou combinações de métodos.

1. A passagem do cabo através de um sifão poderá ser facilitada empurrando o cabo várias vezes no sentido descendente, de forma certa, tanto parado como a girar.
2. Desbloqueando o braço da alavanca e rodando o cabo à mão, é possível mudar a orientação da peça de corte, a fim de permitir que passe mais facilmente pela junta.
3. Ponha o sistema de limpeza de esgotos a funcionar durante alguns segundos na rotação REV, enquanto empurra o cabo para baixo. Faça isto apenas durante o tempo suficiente para que o cabo inicie o percurso dentro do sifão. Pôr o cabo a trabalhar em sentido inverso pode danificá-lo.

Se estas opções não funcionarem, considere a possibilidade de utilizar um cabo de diâmetro inferior ou mais flexível.

MONTAGEM DA ESPIRAL

Para a montagem da espiral veja as figuras.

AVISO! A espiral está sob pressão e pode desenrolar-se inesperadamente durante a instalação e causar feridas. Para reduzir o risco de ferir-se, use luvas de segurança ou óculos com proteção lateral.

Sempre use luvas de couro.

Leia o manual de instruções. Use um equipamento de proteção adequado.

Durante a utilização do limpador de tubos é possível que entre em contato com substâncias químicas, bactérias ou outras substâncias cáusticas, tóxicas ou infecciosas.

Após a utilização, lave as mãos com água morna e sabonete.

MANUTENÇÃO

Antes de efectuar qualquer intervenção o aparelho retirar o bloco acumulador.

Limpe a espiral exposta com um pano e insira-a novamente no tambor.

Extraia a espiral completamente antes de armazenar o limpador de tubos. Limpe e enrole a espiral, de forma solta.

Utilizar apenas acessórios Milwaukee e peças sobresselentes Milwaukee. Os componentes cuja substituição não esteja descrita devem ser substituídos num serviço de assistência técnica Milwaukee (consultar a brochura relativa à garantia/moradas dos serviços de assistência técnica).

A pedido e mediante indicação da referência que consta da chapa de características da máquina, pode requerer-se um desenho explosivo da ferramenta eléctrica a: Techtronic Industries GmbH, Max-Eyth-Straße 10, 71364 Winnenden, Germany.

DECLARAÇÃO DE CONFORMIDADE CE

Declaramos, sob a nossa inteira responsabilidade, que o produto descrito em «Dados Técnicos» cumpre todas as disposições relevantes das diretivas:

2011/65/UE (RoHS)

2006/42/CE

2014/30/UE

2014/53/EU

tendo sido seguidas as seguintes normas harmonizadas

EN 62841-1:2015

EN 62841-3-14:2017

EN 55014-1:2017+A11:2020

EN 55014-2:2015

EN 62479:2010

EN 300 328 V2.2.2

EN 301 489-1 V2.2.3

EN 301 489-17 V3.1.1

EN IEC 63000:2018



Winnenden. 2020-11-17

Alexander Krug / Managing Director

Autorizado a reunir a documentação técnica.

Techtronic Industries GmbH

Max-Eyth-Straße 10, 71364 Winnenden, Germany

SYMBOLE



ATENÇÃO! PERIGO!



Leia atentamente o manual de instruções antes de colocar a máquina em funcionamento.



Usar sempre óculos de protecção ao trabalhar com a máquina.



Use luvas! Recomendamos luvas de couro!



Antes de efectuar qualquer intervenção o aparelho retirar o bloco acumulador.



Accesório - Não incluído no equipamento normal, disponível como accesório.



Não sujeite os cabos a tensões excessivas.
O excesso de tensão nos cabos pode fazer com que os mesmos se torçam, dobrem ou quebrem, e resultar na ocorrência de ferimentos graves.



Seleção de alimentação / retração automática ativada



Seleção de alimentação / retração automática desativada



rotação no sentido dos ponteiros do relógio (para a frente)



rotação no sentido contrário ao dos ponteiros do relógio (para trás)



Aparelhos eléctricos, baterias/acumuladores não devem ser jogados no lixo doméstico. Os aparelhos eléctricos e as baterias devem ser colectados separadamente e entregues a uma empresa de reciclagem para a eliminação correcta. Solicite informações sobre empresas de reciclagem e postos de colecta de lixo das autoridades locais ou do seu vendedor autorizado.



Este dispositivo contém uma pilha de célula de lítio tipo botão/moeda.

n₀ Velocidade em vazio

V Tensão

 Corrente contínua



Marca de Conformidade Europeia



Marca de Conformidade Britânica



Marca de Conformidade Ucraniana



Marca de Conformidade Eurasiática

Technische gegevens	M18 FSSM
Demonteerbare rioleringsmachine	
Productienummer	4749 26 02... ... 000001-999999
Spanning wisselakku	18 V $\overline{\text{---}}$
Onbelast toerental n_0	0 - 700 min ⁻¹
Bluetooth-frequentieband (frequentiebanden)	2402-2480 MHz
Radiofrequent vermogen	1,8 dBm
Bluetooth-versie	4,0 BT signal mode
Invoer-/intreksnelheid max.	31 cm/s
Kabelgrootte ontstoppingsmachine	\varnothing 22 mm (7/8") & \varnothing 32 mm (1 1/4")
Demonteerbare kabellengte ontstoppingsmachine	4,5 m
Max. kabellengte ontstoppingsmachine	60 m
Aanbevolen leidingdiameter	\varnothing 50 - 200 mm
Lengte geleidebuis/geleideslang	3500 mm
Grootte geleidebuis/geleideslang	\varnothing 50 mm
Gewicht volgens de EPTA-procedure 01/2014 (met li-ion accu 12,0 Ah)	33,32 kg
Gewicht zonder accu, ontstoppingskabel en geleideslang.	31,75 kg
Gewicht zonder accu, maar met geleideslang	37,55 kg
Aanbevolen omgevingstemperatuur voor het bedrijf	-18°C ... +50°C
Aanbevolen accupacks	M18HB...; M18B...
Aanbevolen laadtoestellen	M12-18...; M1418C6
Geluids informatie	
Meetwaarden vastgesteld volgens EN 62841. Het kenmerkende A-gewogen geluidsniveau van de machine bedraagt:	
Geluidsdruk niveau (Onzekerheid K=3dB(A))	69,21 dB (A)
Geluidsvermogen niveau (Onzekerheid K=3dB(A))	80,21 dB (A)
Draag oorbeschermers!	



WAARSCHUWING

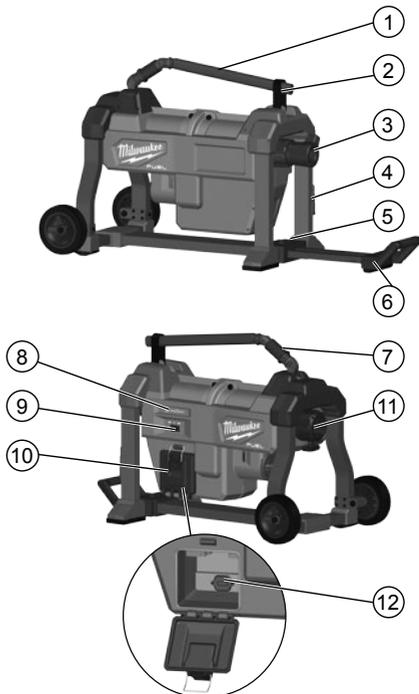
De in dit gegevensblad vermelde geluidsemissiewaarde is gemeten volgens een in EN 62841 gernormeerde testprocedure en kan worden gebruikt voor de onderlinge vergelijking van gereedschappen. Hij is ook geschikt voor een eerste beoordeling van de belasting. De aangegeven geluidsemissiewaarde geldt voor de belangrijkste toepassingen van het gereedschap. Als het gereedschap echter voor andere toepassingen of met ander toebehoren wordt gebruikt of onvoldoende wordt onderhouden, kan de geluidsemissiewaarde variëren. Hierdoor kan de belasting over de gehele werkperiode aanzienlijk stijgen.

Voor een nauwkeurige inschatting van de geluidsbelasting moet tevens rekening worden gehouden met de tijdstippen waarop het apparaat uitgeschakeld is of weliswaar loopt, maar niet daadwerkelijk in gebruik is. Hierdoor kan de belasting over de gehele werkperiode aanzienlijk dalen.

Bepaal aanvullende veiligheidsmaatregelen om de gebruiker te beschermen tegen de inwerking van lawaai, zoals onderhoud van het gereedschap en het toebehoren en de organisatie van werkprocessen.

Draag oorbeschermers. Lawaai kan gehoorverlies veroorzaken.

⚠ WAARSCHUWING! Lees en bekijk alle veiligheidsaanwijzingen, aanwijzingen, afbeeldingen en gegevens die u bij het apparaat ontvangt. Als u de volgende aanwijzingen niet in acht neemt, kunnen een elektrische schok, brand en/of ernstig letsel het gevolg zijn. **Bewaar alle waarschuwingen en voorschriften voor toekomstig gebruik.**



Beschrijving van het apparaat

- | | |
|--------------------------------|--------------------------------------|
| ① Hefboomarm | ⑧ ONE-KEY™-indicator |
| ② Draaghaak | ⑨ Vooruit/Uit/Achteruit |
| ③ Invoerkraag | ⑩ Accudeur |
| ④ Kabelhaak | ⑪ Aansluiting achterste geleideslang |
| ⑤ Ontgrendelingsknop handgreep | ⑫ ONE-KEY-accuklep |
| ⑥ Telescoophandgreep | |
| ⑦ Kraag hefboomarm | |

⚠️ VEILIGHEIDSLINSTRUCTIES VOOR LEIDINGREINIGERS

Gebruik altijd de achterste geleideslang terwijl het werktuig wordt bediend en zorg ervoor dat de kabel niet verder gaat dan de achterste geleideslang. Dit voorkomt het rondslaan van de kabel, wat kan leiden tot verstrikt raken en lichamelijk letsel.

De leidingreiniger mag alleen worden gebruikt voor leidingen met de aangegeven afmetingen. Het gebruik van een leidingreiniger van de verkeerde maat kan leiden tot verdraaien, afknikken of breken van de spiraal en zo letsel veroorzaken.

Pak de draaiende spiraal alleen vast met de door de fabrikant aanbevolen handschoenen. Latex- of loszittende handschoenen resp. doeken kunnen om de spiraal worden gewikkeld en ernstig letsel veroorzaken.

Waarborg dat de spiraalpunt niet blijft haken, zolang de spiraal draait. In het andere geval kan de spiraal overbelast raken en te sterk verdraaien, afknikken of breken, hetgeen tot ernstig letsel kan leiden.

Als de te reinigen afvoerleiding chemicaliën, bacteriën of andere toxische substanties resp. ziektekiemen zou kunnen bevatten, draagt u onder de door de fabrikant aanbevolen veiligheids handschoenen nog latex- of rubberhandschoenen en bovendien een veiligheidsbril, gezichtsbescherming, veiligheidskleding en een ademhalingsmasker. Pijpleidingen kunnen chemicaliën, bacteriën of andere substanties bevatten die toxisch of ziekteverwekkend zijn en bijtendon of ander ernstig letsel kunnen veroorzaken.

Neem de hygiënevoorschriften in acht. Eet en rook niet terwijl u met het apparaat werkt. Na de omgang met het gebruik van leidingreinigers dient u uw handen en andere lichaamsdelen die met de inhoud van de leiding in contact zijn gekomen, altijd te wassen met warm water en zeep. Zo vermijdt u gezondheidsrisico's op grond van contact met toxische of ziekteverwekkende stoffen.

Verdere veiligheids- en werkinstructies

Houd een hand met handschoen op de kabel als het werktuig loopt. Dit zorgt voor betere controle over de kabel en voorkomt het draaien, knikken of breken van de kabel wat kan leiden tot ernstig lichamelijk letsel.

Controleer de spiraal vóór het gebruik op slijtagesporen en schade. Vervang een versleten of beschadigde spiraal vóór het gebruik van een leidingreiniger.

De spiraal niet verdraaien, afknikken of te sterk buigen. Het breken van de spiraal kan ernstig letsel veroorzaken.

Inspecteer de te reinigen leiding voordat u het apparaat gebruikt. Bepaal, voor zover dit mogelijk is, het/de toegangspunt(en), de diameter en de lengte van de pijpleiding en de afstand tot de hoofdleidingen, de reden voor de verstopping en het voorhandzijn van ontstoppers of andere chemicaliën.

Indien zich chemicaliën in de afvoerleiding bevinden, moeten dienovereenkomstige veiligheidsmaatregelen worden getroffen. Neem contact op met de fabrikant van het chemische middel om de vereisten informatie in te winnen.

Bedien dit werktuig niet als de gebruiker of het werktuig in water staat. Het gebruik van het werktuig in water verhoogt de kans op een elektrische schok.

Dek het werkbereik zo nodig af. De reiniging van afvoerleidingen kan een smerige aangelegenheid zijn.

Waarborg dat de spiraal volledig is afgewikkeld. Zo voorkomt u dat de spiraal zweepachtig begint te slaan als u het apparaat inschakelt.

Plaats de ontstoppingsmachine niet verder dan 60 cm van de afvoeropening. Als de ontstoppingsmachine niet binnen 60 cm van de afvoeropening geplaatst kan worden, moet de afvoeropening worden verlengd met een bus en hulpstukken van soortgelijke grootte. Bij een grotere afstand kan de spiraal slecht worden gecontroleerd en kan ze verdraaien, afknikken of breken.

Spiraal en AAN-/UIT-schakelaar moeten door één en dezelfde persoon worden bediend. Als het werktuig stopt met draaien, moet de gebruiker het werktuig kunnen uitschakelen om draaien, knikken, breken of rondslaan van de kabel te voorkomen.

Met uitzondering van de in deze handleiding beschreven situaties mag de spiraal niet achteruit worden gedraaid. Als u het werktuig langere tijd achteruit laat lopen kan schade aan de kabel en toebehoren ontstaan.

Gebruik altijd uw gezond verstand en wees voorzichtig bij het gebruik van gereedschap. Het is niet mogelijk om elke situatie te anticiperen die zou kunnen leiden tot gevaar. Gebruik dit gereedschap niet als u deze gebruiksaanwijzing niet begrijpt of denkt dat de werkzaamheden te moeilijk voor u zijn; neem contact op met Milwaukee Tool of een opgeleide professional voor aanvullende informatie of training.

Etiketten en typeplaatjes mogen niet worden verwijderd. Deze plaatjes bevatten belangrijke informatie. Als deze informatieplaatjes niet meer leesbaar zijn of ontbreken, kunt u voor kosteloze vervanging contact opnemen met de technische dienst van MILWAUKEE.

WAARSCHUWING! Stof dat wordt gecreëerd door elektrisch schuren, zagen, slijpen, boren en andere bouwwerkzaamheden kan chemische stoffen bevatten, waarvan bekend is dat deze kanker, geboortefwijkingen of andere vruchtbaarheidsproblemen veroorzaken. Enkele voorbeelden van deze chemische stoffen zijn:

- lood van loodhoudende verf
- kristallijn silica van bakstenen en cement en andere metselproducten, en
- arseen en chroom van chemisch behandeld hout.

Uw risico op blootstelling hieraan verschilt, afhankelijk van hoe vaak u dit soort werkzaamheden uitvoert.

Om blootstelling aan deze chemische stoffen te verlagen: werk in een goed geventileerde ruimte en werk met goedgekeurde veiligheidsuitrusting, zoals ademmaskers die speciaal zijn ontworpen om microscopische deeltjes eruit te filteren.

Draag veiligheidsuitrusting. Bij werkzaamheden met de machine dient u altijd een veiligheidsbril te dragen. Veiligheidskleding zoals stofmasker, veiligheids handschoenen, stevig en slipvast schoeisel, helm en gehoorbescherming worden aanbevolen.

Het gedurende het werken vrijkomende stof is doorgaans schadelijk voor de gezondheid en mag niet met het lichaam in aanraking komen. Draag derhalve een geschikt stofbeschermsmasker.



Het is niet toegestaan, materialen te bewerken waarvan een gezondheidsgevaar uitgaat (bijv. asbest).

Schakel het apparaat onmiddellijk uit als het gereedschap geblokkeerd is; dit zou een terugslag met een hoog reactiemoment kunnen veroorzaken. Achterhaal en verhelp de oorzaak voor de blokkering van het gereedschap met inachtneming van de veiligheidsinstructies.

Voor alle werkzaamheden aan de apparat de accu verwijderen. Verbruikte accu's niet in het vuur of bij het huisvuil werpen. Milwaukee biedt namelijk een milieuvriendelijke recyclingmethode voor uw oude accu's.

Wisselakku's niet bij metalen voorwerpen bewaren (kortsluitingsgevaar!).

Onder extreme belasting of extreme temperaturen kan uit de accu accu-vloeistof lopen. Na contact met accu-vloeistof direct afwassen met water en zeep. Bij oogcontact direct minstens 10 minuten grondig spoelen en onmiddellijk een arts raadplegen.

Voorkom brand, persoonlijk letsel of materiële schade door kortsluiting en dompel het gereedschap, de wisselaccu en het laadtoestel niet onder in vloeistoffen en waarborg dat geen vloeistoffen in de apparaten en accu's kunnen dringen. Corrosieve of geleidende vloeistoffen zoals zout water, bepaalde chemicaliën, bleekmiddelen of producten die bleekmiddelen bevatten, kunnen een kortsluiting veroorzaken.

Wisselakku's van het Akku-Systeem M18 alléén met laadapparaten van het Akku-Systeem M18 laden. Geen accu's van andere systemen laden.

Wisselakku's en laadapparaten niet openen en alleen in droge ruimtes oplaan. Tegen vocht beschermen.



WAARSCHUWING



Dit apparaat heeft een type knoepcel-lithiumbatterij. Een nieuwe of gebruikte batterij kan leiden tot ernstige interne verbrandingen en tot de dood in minder dan twee uur indien ingeslikt of in het lichaam geplaatst. Zet de deksel van het batterijvak altijd goed vast. Als het niet goed sluit, het apparaat stoppen, de batterij verwijderen en buiten bereik van kinderen houden. Als u denkt dat iemand een batterij heeft ingeslikt of op een andere manier in het lichaam heeft geplaatst, direct een arts raadplegen.

VOORGESCHREVEN GEBRUIK VAN HET SYSTEEM

De demonteerbare rioleringsmachine is een ontstoppingsmachine die wordt gebruikt om secundaire afvoerleidingen, zoals in keukens, badkamers en bijkeukens te reinigen.

ONE-KEY™

Lees de meegeleverde snelstarthandleiding of surf naar <http://www.milwaukeeetool.com/one-key> om meer te weten te komen over de ONE-KEY functionaliteit van dit werktuig.

Van de App Store of Google Play kunt u de ONE-KEY app downloaden naar uw smartphone. Het testresultaat voldoet aan onze minimumvereisten conform EN 301 489-1 / EN 301 489-17. Daarnaast geven wij de klanten in deze gebruikshandleiding informatie over het gebruik.

ONE-KEY™-indicator	
Continu blauw	Draadloze modus is actief en klaar voor configuratie via de ONE-KEY™ app.
Blauw knipperend	Werktuig communiceert actief met de ONE-KEY™ app.
Rood knipperend	Werktuig is in de beveiligingsvergrendeling en kan worden ontgrendeld door de eigenaar via de ONE-KEY™ app.

AKKU

Langere tijd niet toegepaste wisselakku's vóór gebruik altijd naladen.

Een temperatuur boven de 50°C vermindert de capaciteit van de accu. Langdurige verwarming door zon of hitte vermijden.

De aansluitcontacten aan het laadapparaat en de accu schoonhouden.

Voor een optimale levensduur moeten de accu's na het gebruik volledig opgeladen worden.

Voor een zo lang mogelijke levensduur van de accu's dienen deze na het opladen uit het laadtoestel te worden verwijderd.

Bij een langere opslag van de accu dan 30 dagen: accu bij ca. 27°C droog bewaren. accu bij ca. 30% - 50% van de laadtoestand bewaren. accu om de 6 maanden opnieuw opladen.

TRANSPORT VAN LITHIUM-IONEN-ACCU'S

Lithium-ionen-accu's vallen onder de wettelijke bepalingen inzake het transport van gevaarlijke goederen.

Voor het transport van deze accu's moeten de lokale, nationale en internationale voorschriften en bepalingen in acht worden genomen.

Verbruikers mogen deze accu's zonder meer over de weg transporteren.

Het commerciële transport van lithium-ionen-accu's door expeditiebedrijven is onderhevig aan de bepalingen inzake het transport van gevaarlijke goederen. De verzendingsvoorbereidingen en het transport mogen uitsluitend worden uitgevoerd door dienovereenkomstig opgeleide personen. Het complete proces moet vakkundig worden begeleid.

Onderstaande punten moeten bij het transport van accu's in acht worden genomen:

Waarborg ter vermijding van kortsluitingen dat de contacten beschermd en geïsoleerd zijn. Let op dat het accupack in de verpakking niet kan verschuiven. Beschadigde of lekkende accu's mogen niet worden getransporteerd. Neem voor meer informatie contact op met uw expeditiebedrijf.

OVERBELASTINGSBEVEILIGING VAN DE ACCU

Bij overbelasting van de accu door zeer hoog stroomverbruik, bijv. extreem hoge draaimomenten, plotseling stoppen of kortsluiting, vibreert het elektrische gereedschap gedurende 5 seconden, de laadweergave knippert en het elektrische gereedschap schakelt automatisch uit.

Om het gereedschap weer in te schakelen, moet u de drukschakelaar loslaten en vervolgens weer inschakelen.

Onder extreme belastingen wordt de accu te heet. In dit geval knipperen alle lampen van de laadweergave totdat de accu afgekoeld is. Na het doven van de laadweergave kunt u weer verder werken.

Steek de accu in het laadtoestel om hem weer op te laden en te activeren.

AANVULLENDE TIPS VOOR HET GEBRUIK

Neem voor normaal gebruik de afbeelding in acht.

Voer de spiraal met een lichte vooruit- en achteruitbeweging in de leiding totdat de verstopping verwijderd is.

OPMERKING: laat de schakelaar onmiddellijk los zodra het gereedschap blokkeert.

Loshalen van een geblokkeerde leidingreiniger:

1. Zet de vooruit/uit/achteruit-schakelaar in de stand voor achteruit en draai de invoerkraag naar Rotatie 0.
2. Trek het gereedschap in achterwaartse draairichting een paar centimeter terug om de spiraal los te kunnen halen.
3. Stop het werktuig.
4. Nadat het werktuig volledig tot stilstand is gekomen, schakelt u de vooruit/uit/achteruit-schakelaar terug naar de stand vooruit.

VOORZICHTIG! Het voortdurende bedrijf van het gereedschap met achterwaartse draairichting kan leiden tot schade aan de spiraal en de accessoires.

Als het moeilijk is om een kabel door een sifon of een ander hulpstuk te krijgen, kunnen de volgende methoden of combinatie van methoden worden gebruikt.

1. Het scherp naar beneden duwen van de kabel, zowel met als zonder het draaien van de kabel, kan helpen om de kabel door een sifon te krijgen.
2. Met ontgrendelde hefboomarm kan het met de hand draaien van de kabel de richting van de knipper veranderen, zodat het hulpstuk eenvoudiger gepasseerd kan worden.
3. Laat de ontstoppingsmachine enkele seconden achteruit draaien terwijl de kabel naar beneden wordt geduwd. Doe dit alleen totdat de kabel door de sifon begint te gaan. De kabel achteruit laten lopen kan de kabel beschadigen.

Als deze opties niet werken, moet overwogen worden om een kabel met kleinere diameter of met meer flexibiliteit te gebruiken.

SPIRAAL MONTEREN

Neem voor de montage de afbeeldingen in acht.

WAARSCHUWING! De spiraal staat onder druk en kan bij de montage plotseling naar voren schieten, hetgeen letsel kan veroorzaken. Draag een veiligheidsbril of een bril met zijbescherming om het gevaar voor letsel zo gering mogelijk te houden.

Draag altijd leren handschoenen.

Lees de gebruiksaanwijzing. Draag geschikte veiligheidsuitrusting.

Bij gebruik van de spiraal kunt u in contact komen met chemicaliën, bacteriën of andere bijtende, toxische of infectieuze substanties.

Reinig uw handen na gebruik met warm water en zeep.

ONDERHOUD

Voor alle werkzaamheden aan de apparat de akku verwijderen.

De vrijliggende spiraal met een doek afvegen en weer in de trommel schuiven.

Vóór de opslag van de leidingreiniger moet de spiraal volledig worden uitgetrokken. Reinig de spiraal en rol hem losjes op.

Gebruik uitsluitend Milwaukee toebehoren en onderdelen. Indien componenten die moeten worden vervangen niet zijn beschreven, neem dan contact op met een officieel Milwaukee servicecentrum (zie onze lijst met servicecentra).

Onder vermelding van het nummer op het machineplaatje is desgewenst een doorsnedetekening van de machine verkrijgbaar bij: Techtronic Industries GmbH, Max-Eyth-Straße 10, 71364 Winnenden, Germany.

EC - VERKLARING VAN OVEREENSTEMMING

We verklaren geheel onder eigen verantwoordelijkheid dat het product in de "Technische data" voldoet aan alle relevante bepalingen van de richtlijnen:

2011/65/EU (RoHS)

2006/42/EG

2014/30/EU

2014/53/EU

en de volgende geharmoniseerde normen zijn gebruikt.

EN 62841-1:2015

EN 62841-3-14:2017

EN 55014-1:2017+A11:2020

EN 55014-2:2015

EN 62479:2010

EN 300 328 V2.2.2

EN 301 489-1 V2.2.3

EN 301 489-17 V3.1.1

EN IEC 63000:2018



Winnenden. 2020-11-17

Alexander Krug / Managing Director

Gemachtigd voor samenstelling van de technische documenten

Techtronic Industries GmbH

Max-Eyth-Straße 10, 71364 Winnenden, Germany

SYMBOLLEN



OPGELET! WAARSCHUWING! GEVAAR!



Graag instructies zorgvuldig doorlezen vóórdat u de machine in gebruik neemt.



Bij het werken met de machine altijd een veiligheidsbril dragen.



Draag altijd veiligheidshandschoenen – bij voorkeur van leer!



Voor alle werkzaamheden aan de apparat de accu verwijderen.



Toebehoren - Wordt niet meegeleverd. Is apart leverbaar. Zie hiervoor het toebehorenprogramma.



Kabels niet overbelasten.

Het overbelasten van kabels kan leiden tot draaien, knikken of breken van de kabel, wat kan leiden tot ernstig lichamelijk letsel.



Selectie Automatisch invoeren/intrekken aan



Selectie Automatisch invoeren/intrekken uit



rechtsom draaien (vooruit)



linksom draaien (achteruit)



Elektrische apparaten, batterijen en accu's mogen niet via het huisafval worden afgevoerd. Elektrische apparaten en accu's moeten gescheiden worden verzameld en voor een milieuvriendelijke afvoer worden afgegeven bij een recyclingbedrijf. Informeer bij uw gemeente of bij uw vakhandelaar naar recyclingbedrijven en inzamelpunten.



Dit apparaat heeft een type knoopcel-lithiumbatterij.

n₀ Onbelast toerental

V Spanning

 Gelijkstroom



Europees symbool van overeenstemming



Brits symbool van overeenstemming



Oekraïens symbool van overeenstemming



Euro-Aziatisch symbool van overeenstemming

Tekniske data	M18 FSSM
Sektionsmaskine til afløb	
Produktionsnummer	4749 26 02... ... 000001-999999
Udskiftningsbatteriets spænding	18 V \equiv
Omdrejningstal, ubelastet n_0	0 - 700 min ⁻¹
Bluetooth-frekvensbånd	2402-2480 MHz
Radiofrekvenseffekt	1,8 dBm
Bluetooth-version	4,0 BT signal mode
Fremfør / tilbagetræk hastighed maks.	31 cm/s
Afløbsrenser ledningsstørrelse	ø 22 mm (7/8") & ø 32 mm (1 1/4")
Afløbsrenser sektionsledning længde	4,5 m
Afløbsrenser ledning længde maks.	60 m
Anbefalet rørdiameter	ø 50 - 200 mm
Pilotrør/Føringssslansens længde	3500 mm
Pilotrør/Føringssslansens størrelse	ø 50 mm
Vægt svarer til EPTA-procedure 01/2014 (med Li-Ion batteri 12,0 Ah)	33,32 kg
Vægt uden batteri, afløbsledning og føringslange.	31,75 kg
Vægt uden batteri men med føringslange	37,55 kg
Anbefalet omgivelsestemperatur til driften	-18°C ... +50°C
Anbefalede batteripakker	M18HB...; M18B...
Anbefalede opladere	M12-18...; M1418C6
Støjinformation	
Måleværdier beregnes iht. EN 62841. Værktøjets A-vurderede støjniveau er typisk:	
Lydtrykniveau (Usikkerhed K=3dB(A))	69,21 dB (A)
Lydeffekt niveau (Usikkerhed K=3dB(A))	80,21 dB (A)
Brug høreværn!	



ADVARSEL

Det i denne brochure oplyste støjemissionsniveau er blevet målt iht. den standardiserede testmetode jf. den europæiske standard EN 62841 og kan bruges til at sammenligne værktøjer med hinanden. Niveaueet kan også bruges til en midlertidig vurdering af støjbelastningen.

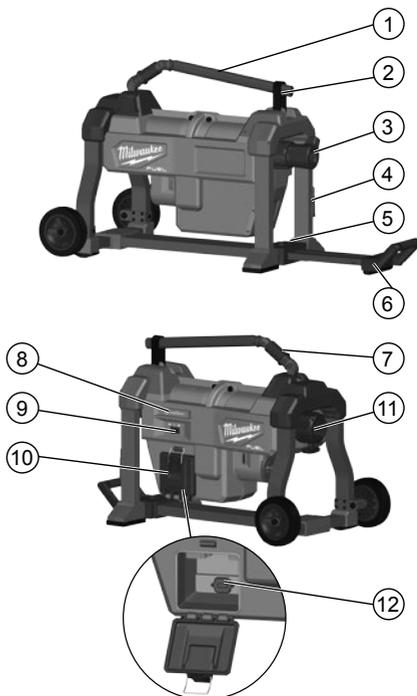
Det oplyste støjemissionsniveau repræsenterer værktøjets primære anvendelse. Vær dog opmærksom på, at hvis værktøjet bruges til andre anvendelser eller med forskelligt tilbehør, eller hvis det ikke er tilstrækkeligt vedligeholdt, kan støjemissionsniveauet afvige. Dette kan medføre en betydelig forøgelse af støjbelastningen hen over den samlede arbejdsperiode.

Til en præcis vurdering af støjbelastningen bør man også medtage det tidsrum, hvor værktøjet er frakoblet eller stadig kører, men ikke er i drift. Dette kan medføre en betydelig reduktion af støjbelastningen hen over den samlede arbejdsperiode.

Til brugerens beskyttelse mod udsættelse for støj skal der fastlægges yderligere sikkerhedsforanstaltninger, f.eks.: Vedligeholdelse af værktøjet og dets tilbehør samt tilrettelæggelse af arbejds-gange.

Bær høreværn. Støjen kan føre til nedsat hørelse.

⚠ ADVARSEL! Læs alle sikkerhedsanvisninger, anvisninger, instruktioner og data, der følger med enheden. Overholder du ikke følgende instruktioner, kan du få elektrisk stød, der kan opstå brand og /eller du kan blive kvæstet alvorligt. **Opbevar alle advarsels-henvisninger og instrukser til senere brug.**



Apparatbeskrivelse

- | | |
|-----------------------|--|
| ① Håndtagsarm | ⑧ ONE-KEY™ indikator |
| ② Bærekrog | ⑨ Fremad/Sluk/Tilbage |
| ③ Fremføringskrave | ⑩ Batterihus |
| ④ Ledningskrog | ⑪ Tilslutning af bageste føringsslange |
| ⑤ Håndtag udløserknap | ⑫ ONE-KEY batterihus |
| ⑥ Teleskop håndtag | |
| ⑦ Håndtagskrave | |

⚠ SIKKERHEDSOPLYSNINGER FOR RØRRENSUDSTYR

Brug altid den bageste føringsslange, mens du betjener værktøjet, og sørg for, at ledningen ikke strækker sig ud over den bageste føringsslange. Dette forhindrer, at ledningen piskes, hvilket kan resultere i sammenfiltrering og personskade.

Rørrenseudstyr må kun bruges til røri de angivne størrelser. Brugen af rørrenseudstyr i den forkerte størrelse kan medføre, at spiralen fordrejes, knækker eller brækker af, samt medføre kvæstelser.

Tag kun fat i den drejende spiral med de af producenten anbefalede hndsker. Latexhandsker og hhv. løst siddende handsker og klude kan vikle sig rundt om spiralen og forårsage alvorlige kvæstelser.

Kontrollér, at spiralspiden ikke sætter sig fast, så længe spiralen drejer sig. I modsat fald kan spiralen blive overbelastet og fordreje sig for meget, knække eller brække af, hvilket kan medføre alvorlige kvæstelser.

Hvis det afløbsrør, som skal renses, kunne indeholde kemikalier, bakterier eller andre toksiske substanser eller smitstoffer, skal du bruge de under producenten anbefalede beskyttelseshandsker anførte latex- eller gummihandsker samt beskyttelsesbriller, ansigtsværn, beskyttelsestøj eller åndedrætsmaske. Rørledninger kan indeholde kemikalier, bakterier og andre substanser, som kan være toksiske eller smit-somme og fremkalde ætsninger eller andre alvorlige kvæstelser.

Overhold hygiejneforskrifterne. Undlad at spise og ryge, mens du bruger maskinen. Efter håndtering eller brug af rørrenseudstyr skal hænderne og andre kropsele, som er kommet i berøring med rørdholdet, altid vaskes med varmt vand og sæbe. På den måde undgås sundhedsrisici på grund af kontakt med toksiske eller smitsomme stoffer.

Yderligere sikkerheds- og arbejdsinformationer

Vær iført handsker, når der holdes på ledningen, mens værktøjet kører. Dette giver bedre kontrol over ledningen, og hjælper med at forhindre vridning, knæk eller brud på ledningen, som kan føre til alvorlig personskade.

Kontrollér spiralen for slitagespor og beskadigelser, inden den bruges. Udskift en slidt eller beskadiget spiral inden brug af rørrenseudstyret.

Spiralen må ikke fordrejes, knækkes eller bøjes for meget. Hvis spiralen brækker af, kan dette medføre alvorlige kvæstelser.

Inspicér det rør, som skal renses, inden maskinen bruges. Bestem for så vidt muligt rørledningens adgangspunkt(er), diameter og længde samt afstanden til hovedledningerne, arten af tilstoppelse og tilstedeværelsen af rengøringsmidler eller andre kemikalier. Hvis der befinder sig kemikalier i afløbsrøret, skal der tages tilsvarende sikkerhedsforanstaltninger. Kontakt kemikaliers producent for at få de nødvendige oplysninger.

Betjen ikke dette værktøj, hvis brugeren eller værktøjet står i vand. Betjening af værktøjet i vand øger risikoen for elektrisk stød.

Afskærm ved behov arbejdsområdet. Rengøringen af afløbsrør kan være et snavset foretagende.

Kontroller, at spiralen er viklet fuldstændigt op. På den måde undgår du pisklignende slag fra spiralen, når maskinen tændes.

Placer afløbsrenseren i en afstand på højst 60 cm fra afløbsåbningen. Hvis afløbsrenseren ikke kan placeres inden for 60 cm fra afløbsåbningen, skal afløbsåbningen forlænges vha. et rør og fittings i samme størrelse. Ved en større afstand kan spiralen kun kontrolleres dårligt og kan derfor fordrejes, knække eller brække.

Spiralen og tænd-/sluk-knappen skal betjenes af en og samme person. Hvis værktøjet holder op med at rotere, skal brugeren være i stand til at slukke for værktøjet for at forhindre vridning, knæk, brud eller piskning af ledningen.

Med undtagelse af de i nærværende vejledning nævnte situationer må spiralen ikke drejes tilbage. Baglæns kørsel af værktøjet i længere perioder kan skade ledning og tilbehør.

Brug altid din sunde fornuft og vær forsigtig, når du bruger værktøjet. Det er ikke muligt at forudsige enhver situation, som kan medføre et farligt udfald. Benyt ikke dette værktøj, hvis du ikke forstår denne brugsanvisning eller føler, at arbejdet overstiger dine evner; kontakt Milwaukee Tool eller en uddannet ekspert for yderligere information eller undervisning.

Undlad at fjerne mærkater og typeskilte. Disse skilte indeholder vigtige informationer. Hvis oplysningsskiltene ikke længere er læselige eller mangler, bedes du kontakte MILWAUKEE-kundeservice for at få en gratis reservedel.

ADVARSEL! Nogle former for støv, der opstår pga. elektrisk polering, slibning, boring og andre byggeaktiviteter, indeholder kemikalier, som er kendt for at forårsage kræft, misdannelser eller andre forplantningsmæssige skader. Nogle eksempler på disse kemikalier er:

- bly fra blyholdig maling
- krystallinsk silikat fra mursten og andre murværksprodukter og
- arsen og krom fra kemisk behandlet tømmer.

Din risiko for disse eksponeringer varierer, alt afhængig af hvor ofte du laver denne type arbejde.

Sådan mindsker du din eksponering ift. disse kemikalier: Arbejd i et velventileret område og med godkendt sikkerhedsudstyr, som fx de støvmaske, der er specielt designet til at filtrere mikroskopiske partikler.

Brug beskyttelsesudrustning. Bær altid sikkerhedsbriller, når du arbejder med maskinen. Vi anbefaler desuden brug af personlig beskyttelsesudrustning, såsom støvmaske, sikkerhedshandsker, fast og skridsikkert skotøj, hjelm og høreværn.

Støv, som opstår under arbejdet, er ofte sundhedsfarligt og bør ikke trænge ind i kroppen. Benyt egnet åndedrætsværn.

Der må ikke bearbejdes nogen materialer, der kan udgøre en sundhedsrisiko (f.eks. asbest).

Sluk straks for maskinen, hvis indsatsværktøjet er blokeret! Tænd ikke for maskinen igen, så længe indsatsværktøjet er blokeret; dette kan føre til et tilbageslag med højt reaktionsmoment. Find frem til og afhjælp årsagen til indsatsværktøjets blokering under hensyntagen til sikkerhedsinstruktionerne.

Ved arbejde inden i maskinen, bør batteriet tages ud.

Opbrugte udskiftningsbatterier må ikke brændes eller kasseres sammen med alm. husholdningsaffald. Milwaukee har en

miljørigtig bortskaffelse af gamle udskiftningsbatterier, henvend Dem til Deres forhandler.

Opbevar ikke udskiftningsbatterier sammen med metalgenstande af fare for kortslutning.

I tilfælde af en ekstrem belastning eller ekstrem temperatur kan der flyde batterivæske ud af et beskadiget batteri. Hvis De kommer i berøring med batterivæsken, skal den vaskes godt og grundigt af med vand og sæbe. I tilfælde af øjenkontakt, skal man mindst skylle øjnene godt og grundigt igennem i 10 minutter og omgående opsøge en læge.

For at undgå risiko for brand, kvæstelser eller beskadigelse af produktet forårsaget af kortslutning må værktøjet, batteripakken eller opladeren ikke nedsænkes i vand. Sørg ligeledes for, at der ikke trænger væske ind i enhederne og batterierne. Korroderende eller ledende væsker, f.eks. saltvand, bestemte kemikalier, blegestoffer eller produkter, som indeholder blegestoffer, kan forårsage kortslutning.

Brug kun M18 ladeapparater for opladning af System M18 batterier. Udskiftningsbatterier og opladere må ikke åbnes og skal opbevares i tørre rum. Beskyt dem mod fugtighed.

ADVARSEL

 Dette apparat indeholder et knapcelle litium batteri. Et nyt eller brugt batteri kan forårsage alvorlige indre forbrændinger og medføre døden på kun 2 timer, hvis det sluges eller kommer ind i kroppen. Batterihusets lukning skal altid være sikret. Hvis det ikke lukkes sikkert, stop apparatet, fjern batteriet og hold det udenfor børns rækkevidde. Hvis du har mistanke om, at nogen har slugt batteriet eller at det er kommet ind i kroppen på anden måde, skal du opsøge en læge med det samme.

TILTÆNKT FORMÅL

Sektionsmaskinen er en afløbsrensemaskine, der bruges til at rense sekundære afløb, som findes i køkkener, badeværelser og brygerser.

ONE-KEY™

For at læse mere om dette værktøjs ONE-KEY-funktion, læs venligst den medfølgende hurtiganvisning, eller besøg os på <http://www.milwaukeeool.com/one-key>

Du kan downloade ONE-KEY-app'en til din smartphone fra App Store eller Google Play. Kontrolresultatet opfylder vores minimumskrav iht. EN 301 489-1 / EN 301 489-17. Og vi sørger for, at kunden får driftsvejledningen som del af vores brugervejledning.

ONE-KEY™ indikator	
Konstant blå	Trådløs tilstand er aktiv og klar til at konfigureres via ONE-KEY™ appen.
Blinkende blå	Værktøjet kommunikerer aktivt med ONE-KEY™-appen.
Blinkende rød	Værktøjet er i sikkerhedslåsning og kan låses op af ejeren via ONE-KEY™-appen.

BATTERI

Udskiftningsbatterier, der ikke har været brugt i længere tid, efterlades inden brug.

Ved temperaturer over 50°C formindskes batteriets effekt. Undgå direkte sollys og stærk varme.

Tilslutningskontakterne på oplader og udkiftningsbatterier skal holdes rene.

For at opnå en optimal levetid skal de genopladelige batterier oplades fuldt efter brug.

For at sikre en så lang levetid som muligt skal batterierne tages ud af ladeaggregatet efter opladning.

Skal batterierne opbevares længere end 30 dage: Temperatur ca. 27°C i tørre omgivelser. Opbevares ved ca. 30%-50% af ladetilstanden. Batteri skal genoplades hver 6. måned.

TRANSPORT AF LITHIUM-BATTERIER

Lithium-batterier er omfattet af lovgivningen om transport af farligt gods.

Transporten af disse batterier skal ske under overholdelse af lokale, nationale og internationale regler og bestemmelser.

Forbrugere må transportere disse batterier på veje uden yderligere krav.

Den kommercielle transport af lithium-batterier ved speditjonsfirmaer er omfattet af reglerne for transport af farligt gods. Forberedelse af forsendelse og transport må kun udføres af tilsvarende trænedte personer. Den samlede proces skal følges af fagfolk.

Følgende punkter skal overholdes ved transport af batterier:

Sørg for at kontakterne er beskyttet og isoleret for at forhindre kortslutninger. Sørg for at batteripakken ikke kan bevæge sig inden for emballagen. Beskadigede eller lækkelige batterier må ikke transporteres. Kontakt dit speditjonsfirma for at få yderligere oplysninger.

OVERBELASTNINGSSIKRING FOR BATTERI

Overbelastes batteriet på grund af meget højt strømforbrug, f.eks. som følge af ekstremt høje drejningsmomenter, pludseligt stop eller kortslutning, vibrerer el-værktøjet i 5 sekunder, ladeindikatoren blinker, og el-værktøjet slukker af sig selv.

For at tænde igen slippes trykknappen, hvorefter du tænder el-værktøjet igen.

Ved ekstreme belastninger bliver batteriet for varmt. I så fald blinker alle lamper på ladeindikatoren, indtil batteriet er kølet af. Når ladeindikatoren går ud, kan arbejdet genoptages.

Sæt batteriet i ladeadapteren for at genoplade det og aktivere det.

YDERLIGERE RÅD VEDRØRENDE BRUGEN

Bemærk illustrationerne til normal brug.

For spiralen ind i røret med en let bevægelse frem og tilbage, indtil tilstopningen er fjernet.

INFORMATION: Hvis værktøjet blokerer, skal kontakten straks slippes.

Løsning af blokeret røreneudstyr:

1. Drej fremad/sluk/tilbage-kontakten til bagerste position, og drej fremføringskraven til Spin 0.
2. Træk værktøjet nogle centimeter tilbage ved at dreje den baglæns for at løsne spiralen.
3. Stop værktøjet.
4. Når værktøjet er helt stoppet, skal du skifte fremad/sluk/tilbage-kontakten tilbage til fremad-positionen.

FORSIGTIG! Den fortsatte drift af værktøjet ved at dreje det baglæns kan føre til en beskadigelse på spiralen og tilbehøret.

Hvis det er svært at få ledningen gennem en vandlås eller andet tilbehør, kan følgende metoder eller kombination af metoder bruges.

1. Kraftige nedadrettede stød på ledningen, både med og uden rotation af ledningen, kan hjælpe ledningen gennem en vandlås.
2. Når håndtagsarmen løsnes, kan klingens retning ændres manuelt ved at dreje ledningen med hånden, og dermed nemmere tilpasse sig tilbehøret.



3. Kør afløbsrenseren i REV-rotation i flere sekunder, mens du skubber ledningen ned. Dette skal kun gøres så længe, indtil ledningen begynder at gå igennem vandlåsen. Hvis ledningen køres bagud, kan dette beskadige ledningen.

Hvis disse muligheder ikke giver resultat, skal du overveje at bruge en mindre diameter eller en mere fleksibel ledning.

MONTERING AF SPIRALEN

Bemærk illustrationerne vedrørende montering af spiralen. ADVARSEL! Spirale står under tryk og kan under monteringen pludselig komme frem, hvilket kan medføre kvæstelser. Brug beskyttelsesbriller eller briller med beskyttelse i siden for at holde risikoen for kvæstelser så lille som muligt.

Brug altid læderhandsker.

Læs betjeningsvejledningen. Brug egnet beskyttelsesudstyr.

Ved brug af rørrenserer kan du komme i berøring med kemikalier, bakterier eller andre ætsende, toksiske eller infektiøse substanser. Rengør hænderne med varmt vand og sæbe efter brug.

VEDLIGEHOLDELSE

Ved arbejde inden i maskinen, bør batteriet tages ud.

Tør den fritliggende spiral af med en klud og skub den tilbage ind i tromlen.

Inden rørrenserer opbevares, skal spiralen trækkes helt ud. Rengør spiralen og vikl den løst op.

Brug kun Milwaukee-tilbehør og Milwaukee-reservedele.

Komponenter, hvor udskiftningsproceduren ikke er beskrevet, skal skiftes ud hos et Milwaukee-servicested (se brochure garanti/kundeserviceadresser).

Ved opgivelse af type nr. der er angivet på maskinens effektskilt, kan de rekvirere en reservedelstegning, ved henvendelse til: Techtronic Industries GmbH, Max-Eyth-Straße 10, 71364 Winnenden, Germany.

CE-KONFORMITETSERKLÆRING

Vi erklærer som eneansvarlige, at produktet, som beskrives under „Tekniske data“, opfylder alle de relevante bestemmelser i direktiverne:

2011/65/EU (RoHS)

2006/42/EF, 2014/30/EU, 2014/53/EU

og følgende harmoniserede standarder er blevet anvendt.

EN 62841-1:2015

EN 62841-3-14:2017

EN 55014-1:2017+A11:2020

EN 55014-2:2015

EN 62479:2010

EN 300 328 V2.2.2

EN 301 489-1 V2.2.3

EN 301 489-17 V3.1.1

EN IEC 63000:2018



Winnenden. 2020-11-17

Alexander Krug / Managing Director
Autoriseret til at udarbejde de tekniske dokumenter.
Techtronic Industries GmbH
Max-Eyth-Straße 10, 71364 Winnenden, Germany

SYMBOLER



VIGTIGT! ADVARSEL! FARE!



Læs brugsanvisningen nøje før ibrugtagning.



Når der arbejdes med maskinen, skal man have beskyttelsesbriller på.



Brug altid beskyttelseshandsker – fortrinsvis af læder!



Ved arbejde inden i maskinen, bør batteriet tages ud.



Tilbehør - Ikke inkluderet i leveringsomfanget, køb købes som tilbehør.



Undgå overbelastning af ledninger.

Overbelastede ledninger kan forårsage vridning, knæk eller brud på ledningen, hvilket kan føre til alvorlig personskade.



Valg af automatisk fremføring / tilbagetrækning tænd



Automatisk fremføring / tilbagetrækning sluk



drej i urets retning (fremad)



drej mod uret / omvendt)



Elektrisk udstyr eller (genopladelige) batterier må ikke bortskaffes sammen med det almindelige husholdningsaffald. Elektrisk udstyr og genopladelige batterier skal indsamles særskilt og afleveres hos en genbrugsvirksomhed til en miljømæssig forsvarlig bortskaffelse. Spørg de lokale myndigheder eller din forhandler om genbrugsstationer og indsamlingssteder til sådant affald.



Dette apparat indeholder et knapcelle litium batteri.

n₀

Omdrejningstal, ubelastet

V

Spænding



Jævnstrøm



Europæisk konformitetsmærke



Britisk konformitetsmærke



Ukrainsk konformitetsmærke



Eurasisk konformitetsmærke

Tekniske data	M18 FSSM
Seksjonsvis avløpsmaskin	
Produksjonsnummer	4749 26 02... ... 000001-999999
Spennning vekselbatteri	18 V \equiv
Tomgangsturtall n_0	0 - 700 min ⁻¹
Bluetooth-Frekvensbånd (Frekvensbånd)	2402-2480 MHz
Sendeeffekt	1,8 dBm
Bluetooth-versjon	4,0 BT signal mode
Tilførsel - / tilbaketrekingshastighet maks.	31 cm/s
Kabelstørrelse avløpsrenser	ø 22 mm (7/8") & ø 32 mm (1 1/4")
Seksjonsvis kabellengde avløpsrenser	4,5 m
Maks kabellengde avløpsrenser	60 m
Anbefalt rørdiameter	ø 50 - 200 mm
Lengde på pilotrør/føringslange	3500 mm
Størrelse på pilotrør/føringslange	ø 50 mm
Vekt i henhold til EPTA-Prosedyren 01/2014 (med litium-ionbatteri 12,0 Ah)	33,32 kg
Vekt uten batteri, avløpskabel og føringslange.	31,75 kg
Vekt uten batteri, men med føringslange	37,55 kg
Anbefalt omgivelsestemperatur for drift	-18°C ... +50°C
Anbefalte batteripakker	M18HB...; M18B...
Anbefalte ladere	M12-18...; M1418C6
Støyinformasjon	
Måleverdier fastslått i samsvar med EN 62841. Det typiske A-bedømte støynivået for maskinen er:	
Lydtryknivå (Usikkerhet K=3dB(A))	69,21 dB (A)
Lydeffektnivå (Usikkerhet K=3dB(A))	80,21 dB (A)
Bruk hørselsvern!	



ADVARSEL

Støyemisjonsverdien som er angitt i denne veiledningen har blitt målt i samsvar med en testprosess som er standardisert i EN 62841 og kan brukes til å sammenligne verktøy med hverandre. Den egner seg også til en foreløpig vurdering av belastningen.

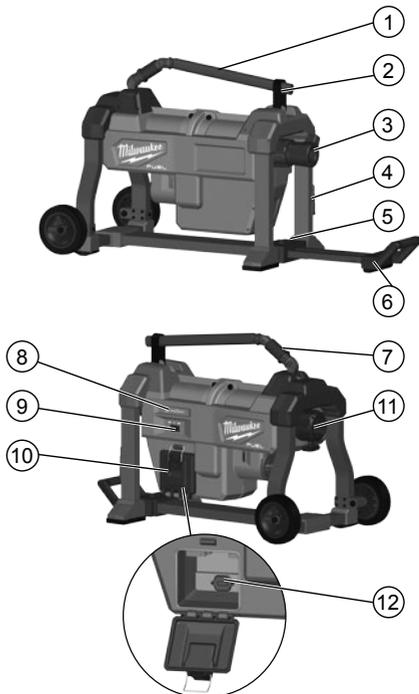
Den angitte støyemisjonsverdien gjelder for verktøyet vanligste bruksområder. Dersom imidlertid verktøyet skal brukes til andre applikasjoner eller med avvikende tilbehør eller vedlikeholdet er mangelfullt, kan støyemisjonsverdien avvike. Dette kan øke belastningen i vesentlig grad over hele arbeidets tidsrom.

For å kunne vurdere støybelastningen nøyaktig, bør også tidene tas med i beregningen der verktøyet er slått av eller vel er slått på, men ikke virkelig er i bruk. Dette kan redusere belastningen i vesentlig grad over hele arbeidets tidsrom.

Fastlegg ekstra sikkerhetstiltak til beskyttelse av operatøren mot virkningene av støy, eksempelvis: Vedlikehold av verktøyet og tilbehør samt organisasjonen av arbeidsrutinene.

Bruk hørselsvern. Støy kan føre til tap av hørselen.

⚠ ADVARSEL! Les alle sikkerhetsanvisninger, instruksjer, bildeforklaringer og data som fulgte med maskinen. Hvis du ikke følger følgende anvisninger, kan det oppstå elektriske støt, ild og/eller store skader. **Ta godt vare på alle advarslene og informasjonene.**



Beskrivelse av verktøyet

- | | |
|----------------------------|-------------------------------------|
| ① Spakarm | ⑧ ONE-KEY™-indikator |
| ② Bærekrok | ⑨ Fremover/Av/Revers |
| ③ Tilførselskrage | ⑩ Batteridør |
| ④ Kabelkrok | ⑪ Tilkobling av bakre føringsslange |
| ⑤ Utløserknapp for håndtak | ⑫ ONE-KEY-batteriluke |
| ⑥ Uttrekkbart håndtak | |
| ⑦ Spakarmkrage | |

SIKKERHETSINSTRUKSER FOR AVLØPSRENSER

Bruk alltid den bakre føringsslangen mens du bruker verktøyet, og kontroller at kabelen ikke strekker seg utover den bakre føringsslangen. Dette forhindrer at kabelen pisker, noe som kan føre til sammenfiltring og personskaade.

Avløpsrenseren skal bare brukes for rør i den angitte størrelsen. Bruk av en avløpsrenser som har feil størrelse kan føre til at spiraler fordreier seg, knekker eller bryter og slik forårsaker skader.

Den roterende spiralen skal bare tas på med hansker som er anbefalt av produsenten. Latexhansker eller hansker som er for løst sittende hhv. kluter kan vikle seg rundt spiralen og føre til alvorlige skader.

Sørg for at spiralspissen ikke henger seg opp så lenge spiralen roterer. Ellers kan spiralen overlastes og fordreie seg for sterkt, knekke eller bryte og dette kan igjen føre til alvorlige skader.

Hvis avløpsrøret som skal rengjøre, kan inneholde kjemikalier, bakterier eller andre giftige substanser hhv. infeksøse stoffer skal det brukes latex- eller gummihansker under vernehanskene som er anbefalt av produsenten og dertil også vernebriller, ansiktsbeskyttelse, verneklær og pustebeskyttelse. Rør kan inneholde kjemikalier, bakterier eller andre substanser som kan være giftige eller infeksøse og derfor forårsaker etsinger og alvorlige skader.

Ta hensyn til hygiene forskriftene. Ikke spis eller røyk mens du bruker apparatet. Etter omgang med, eller bruk av avløpsrenser skal alltid hendene og andre kroppsdeler som har vært i kontakt med innholdet av røret vaskes med vann og såpe. Slik unngår du helsefarer på grunn av kontakt med giftige eller infeksøse stoffer.

Ytterlige sikkerhets- og arbeidsinstruksjoner

Bruk hansker og hold på kabelen når verktøyet kjører.

Dette gir bedre kontroll over kabelen og hjelper til med å forhindre vridning, knekk eller brudd på kabelen som kan føre til alvorlig personskaade.

Kontroller spiralen før hvert bruk på slitasje og skader. Skift ut en slitt eller skadet spiral før bruk av avløpsrenseren.

Spiralen skal ikke fordreies, knekkes eller bøyes for sterkt. Bryter spiralen så kan dette føre til alvorlige skader.

Inspiser røret som skal rengjøres før bruken av apparatet.

Hvis mulig, finn ut tilgangspunkt(er), diameter og rørets lengde og også avstanden til hovedrøret, hvilken type forstoppelse det dreier seg om og hvor vidt det er rør rensemiddel eller andre kjemikalier i røret. Hvis det er kjemikalier i avløpsrøret skal det iverksettes nødvendige sikkerhetstiltak. Ta kontakt med produsenten av kjemikalierne for å få nødvendige informasjonen.

Ikke bruk dette verktøyet hvis brukeren eller verktøyet står i vann. Hvis man bruker verktøyet mens det er i vann øker man risikoen for elektrisk støt.

Dekk til arbeidsområde hvis nødvendig. Rengjøring av avløpsrør kan føre til mye skitt og smuss.

Forvisse deg om at spiraler er viklet helt opp. Slik unngår du at spiraler slår som en pisk ved påslåing.

Plasser avløpsrenseren i en avstand som ikke er større enn 60 cm fra avløpsåpningen. Hvis avløpsrenseren ikke kan plasseres innen to meter fra avløpsåpningen, må avløpsåpningen forlenges med rør og beslag av tilsvarende størrelse. Ved en større avstand lar spiralen seg heller dårlig kontrollere og kan da fordreie seg, knekke eller bryte.

Spiralen og På/av - bryteren skal betjenes av en og den samme person. Hvis verktøyet slutter å rotere, må brukeren kunne slå av verktøyet for å forhindre vridning, knekk, brudd eller pisking av kabelen.

Med unntak av de situasjonene som er nevnte i denne bruksanvisningen skal spiralen ikke roteres bakover. Hvis du kjører verktøyet bakover i lengre perioder, kan det oppstå skade på kabelen og tilbehøret.

Du må alltid bruke sunn fornuft og være forsiktig når du bruker verktøyet. Det er ikke mulig å forutse alle situasjoner som kan ha en farlig utgang. Ikke bruk verktøyet dersom du ikke forstår denne bruksanvisningen eller føler at arbeidet er mer enn du er i stand til å håndtere. Ta kontakt med Milwaukee Tool eller en utdannet fagperson for mer informasjon eller opplæring.

Etiketter og typeskild skal ikke fjernes. Disse skiltene inneholder viktige informasjoner. Dersom disse skiltene ikke lengre kan leses eller mangler så ta kontakt med MILWAUKEE-Kundeservice for å få tilsendt gratis nye skilt.

ADVARSEL! Støv fra elektrisk pussing, saging, sliping eller andre byggeaktiviteter kan inneholde kjemikalier som er kjent for å fremme kreft, fødselskader eller forplantningsskader. Noen eksempler på disse kjemikalierne er:

- bly fra blybasert maling
- krystallinsk kiseltsyre fra mursteiner og andre murprodukter, og
- arsenikk og krom fra kjemisk behandlet tømmer.

Risikoen av eksponering til disse varierer avhengig av hvor ofte du utfører denne type arbeid.

For å redusere eksponeringen for disse kjemikalierne bør du: arbeide i rom med god ventilasjon, arbeide med godkjent sikkerhetsutstyr, slik som støvmaske som er ekstra designet for å filtrere ut mikroskopiske partikler.

Bruk vernebekledning. Ta alltid på vernebrille ved bruk av maskinen. Vernebekledning så vel som støvmaske, vernehansker, fast og sklissikkert skotøy, hjem og hørselsvern er anbefalt.

Støvet som oppstår ved arbeidet er ofte helsefarlig og skal ikke komme i kontakt med kroppen. Bruk derfor vernemaske som er egnet for støv.

Materialer som er helsefarlig skal ikke bearbeides (f.eks.. asbest)

Slå av apparatet med en gang dersom det isatte verktøyet er blokkert! Ikke slå apparatet på igjen så lenge det isatte verktøyet er blokkert; her kan det oppstå et tilbakeslag med høyt reaksjonsmoment. Finn ut hvorfor det isatte verktøyet blokkerer og fjern årsaken til dette. Ta hensyn til sikkerhetsinstruksene.

Ta ut vekselbatteriet før du arbeider på maskinen

Ikke kast brukte vekselbatterier i varmen eller husholdningsavfallet. Milwaukee tilbyr en miljøriktig deponering av gamle vekselbatterier; vennligst spør din fagforhandler.

Ikke oppbevar vekselbatterier sammen med metallgjenstander (kortslutningsfare).

Under ekstreme belastninger og ekstreme temperaturer kan det lekke ut batterievæske fra utskiftbare batterier. Ved berøring med batterievæske, vask umiddelbart med såpe og vann. Ved kontakt

med øynene må øynene skylles grundig i rennende vann i minst 10 minutter. Oppsøk lege umiddelbart.

For å unngå fare for en brann forårsaket av en kortslutning, av personskader eller skader av produktet, må det forhindres at batteripakken eller laderen dryppes i væsker og også sørges for at ingen væsker kan komme inn i apparatene eller batteriene. Korroderende og ledende væsker som saltvann, visse kjemikalier og blekemidler eller produkt som inneholder blekemidler kan forårsake en kortslutning.

Vekslebatterier av systemet M18 skal kun lades med lader av systemet M18. Ikke lad opp batterier fra andre systemer.

Ikke åpne vekslebatterier og ladere, de skal oppbevares i tørre rom. Beskyttes mot fuktighet.

ADVARSEL

 Apparatet bruker knapp/myntcelle lithiumbatteri. Et nytt eller brukt batteri kan forårsake indre forbrenninger eller døden innen kun 2 timer, dersom det svelges eller kommer inn i kroppen på annen måte. Dekselet til batteriboksen må alltid være sikret. Dersom det ikke er mulig å lukke boksen helt, stopp apparatet, fjern batteriet og oppbevare det utilgjengelig for barn. Dersom du har mistanke om, at noen har svelget batteriet eller at det på annen måte har kommet inn i kroppen, må du søke medisinsk hjelp umiddelbart.

FORMÅLMESSIG BRUK

Den seksjonsvise avløpsmaskinen er en maskin beregnet på avløpsrensing som brukes til å rengjøre sekundære avløpsledninger, slike man finner på kjøkken, bad og vaskerom.

ONE-KEY™

Du kan lese mer om verktøyet ONE-KEY funksjonalitet på vedlagte hurtigstartanvisning eller besøk vår internettside på <http://www.milwaukeetool.com/one-key>.

Du kan også laste ned vår ONE-Key app til din smarttelefon fra App Store eller Google Play. Testen oppfyller våre minimumskrav i henhold til EN 301 489-1 / EN 301 489-17. Og vi kommer til å gi kunden en driftsveiledning i bruksanvisningen.

ONE-KEY™-indikator	
Vedvarende blått	Trådløs modus er aktiv og klar til å konfigureres via ONE-KEY™-appen.
Blinkende blått	Verktøyet kommuniserer aktivt med ONE-KEY™-appen.
Blinkende rødt	Verktøy er sikkerhetslåst (lockout) og kan låses opp av eieren via ONE-KEY™-appen.

BATTERIER

Vekslebatterier som ikke er brukt over lengre tid skal etterlades før bruk.

En temperatur over 50°C reduserer vekslebatteriets kapasitet. Unngå oppvarming i sol eller ved varmeovner (fyring) i lengre tid. Hold tilkoplingskontaktene på lader og vekslebatteri rene. For optimal holdbarhet må batteriene lades opp helt etter bruk. For å sikre en lengst mulig brukstid av batteriene skal disse etter oppladning taes ut av laderen.

Ved lagring av batteriene lengre enn 30 dager: Lagre batteriet tørt ved ca. 27°C. Lagre batteriet ved en oppladningstilstand på ca. 30%-50%. Lade opp batteriet igjen etter 6 måneder.

TRANSPORT AV LITUM-ION-BATTERI

Litium-ion-batterier faller under de lovfastede forskriftene om transport av farlig gods.

Transporten av disse batteriene må rette seg etter lokale, nasjonale og internasjonale forskrifter og bestemmelser.

Forbruker har lov å transportere disse batteriene på gaten uten reglementering.

Den kommersielle transport av Litium-ion-batterier av spedisjonsfirma faller under bestemmelsene om transport av farlig gods. Forberedningene av forsendelsene og transport skal utelukkende gjennomføres av personer som har blitt skolert til dette. Hele prosessen skal følges opp av fagfolk.

Følgende punkter skal tas hensyn til ved transport:

Kontroller at kontaktene er beskyttet og isolert for å unngå kortslutninger. Pass på at batteripakken i forpakningen ikke kan skli fram og tilbake. Skadede eller batterier som lekker er det ikke lov å transportere. Ta kontakt med spedisjonsfirma for ytterligere henvisninger.

OVERBELASTNINGSVERN FOR OPPLADBARE BATTERIER

Ved overbelastning av det oppladbare batteriet p.g.a. svært høyt strømforbruk; f.eks. ekstrem høye dreiemoment, plutselig stopp eller kortslutning, vibrert elektroverktøyet 5 sekunder, displayet for opplading blinker og elektroverktøyet utkobler seg automatisk.

For gjenninnkobling, slipp løs bryteren og slå så på igjen.

Ved ekstreme belastninger opphører det oppladbare batteriet seg for sterkt. I slike tilfeller blinker alle lampene på displayet til batteriet er avkjølt. Når lampene har sluttet å blinke, kan man fortsette å arbeide.

Sett batteriet da i laderen for å få det oppladet og aktivert igjen

TILLEGGS TIPS FOR BRUK

For normal bruk se illustrasjonen.

Før spiralen med en lett fram og tilbake bevegelse inn i røret til forstoppelsen er fjernet.

HINT: Dersom verktøyet blokkerer, skal bryteren slippes løs med en gang

Å løse fri en blokkert avløpsrenser:

1. Sett fremover/av/bakover-bryteren i revers og drei tilførselskragen til spinn 0.
2. Trekk verktøyet i bakover rotasjon noen centimeter tilbake for å befri spiralen.
3. Stopp verktøyet.
4. Når verktøyet er fullstendig stoppet, setter du fremover/av/bakover-bryteren tilbake til fremover igjen.

FORSIKTIG! Den fortsatte drift av verktøyet i bakover rotasjon kan føre til skade på spiralen og tilbehøret.

Hvis det er vanskelig å få kabelen gjennom en vannlås eller annet beslag, kan følgende metoder eller en kombinasjon av metodene brukes.

1. Påfør faste trykk nedover på kabelen, både når kabelen roterer, og når den ikke gjør det. Dette kan hjelpe kabelen gjennom en vannlås.
2. Ved å rotere kabelen for hånd, når spakarmen er utløst, kan man endre retningen på kutteren slik at den lettere kan håndtere beslaget.
3. Sett avløpsrenseren i REV-rotasjon i flere sekunder mens du trykker ned på kabelen. Gjør dette inntil du får kabelen i gang gjennom vannlåsen. Hvis man kjører kabelen bakover, kan man skade kabelen.

Hvis disse alternativene ikke fungerer, kan du vurdere å bruke en mindre diameter eller mer fleksibel kabel.



Nor

MONTERE SPIRALEN

Se også illustrasjonene for montasje av spiralen.

ADVARSEL! Spiralen står under trykk og kan ved montasje plutselig skyte ut. Dette kan forårsake skader. Bruk vernebriller eller briller med sidebeskyttelse for å holde risikoen for skader så minimal som mulig.

Bruk alltid skinnhansker.

Les bruksanvisningen. Bruk egnet verneutstyr.

Ved bruk av avløpsrenseren kan du komme i kontakt med kjemikaler, bakterier og andre etsende, giftige eller smittsomme substanser.

Vask hendene etter bruk med varmt vann og såpe.

VEDLIKEHOLD

Ta ut vekselbatteriet før du arbeider på maskinen

Tørk av den frittliggende spiralen med en klut og så skyv den inn i trommelen igjen.

Før innlagring av avløpsrenseren skal spiralen trekkes helt ut av trommelen. Rengjør spiralen og vikle den løst opp igjen.

Bruk kun Milwaukee tilbehør og Milwaukee reservedeler. Komponenter der utskifting ikke er beskrevet skal skiftes ut hos Milwaukee kundeservice (se brosjyre garanti/kundeserviceadresser).

Ved behov kan du be om en eksplosjonstegning av apparatet hos din kundeservice eller direkte hos Techtronic Industries GmbH, Max-Eyth-Straße 10, 71364 Winnenden, Germany. Oppgi maskintype og det nummeret på typeskiltet.

CE-SAMSVARERKLÆRING

Vi erklærer i alene ansvar at produktet beskrevet i „Teknisk data“ overensstemmer med alle relevante forskrifter til Eu direktiv: 2011/65/EU (RoHS)

2006/42/EC

2014/30/EU

2014/53/EU

og de følgende harmoniserte normative dokumentene. fyrstikker EN 62841-1:2015

EN 62841-3-14:2017

EN 55014-1:2017+A11:2020

EN 55014-2:2015

EN 62479:2010

EN 300 328 V2.2.2

EN 301 489-1 V2.2.3

EN 301 489-17 V3.1.1

EN IEC 63000:2018



Winnenden. 2020-11-17

Alexander Krug / Managing Director
Autorisert til å utarbeide den tekniske dokumentasjonen
Techtronic Industries GmbH
Max-Eyth-Straße 10, 71364 Winnenden, Germany

SYMBOLER



OBS! ADVARSEL! FARE!



Les nøye gjennom bruksanvisningen før maskinen tas i bruk.



Bruk alltid vernebrille når du arbeider med maskinen.



Bruk alltid vernehansker! Skinnhansker anbefales!



Ta ut vekselbatteriet før du arbeider på maskinen



Tilbehør - inngår ikke i leveransen, anbefalt komplettering fra tilbehørsprogrammet.



Ikke overbelast kablene.

Ved overbelastning av kablene kan det oppstå vridning, knekk eller brudd på kabelen og det kan føre til alvorlig personskade.



Automatisk tilførsel / tilbaketrekking på



Automatisk tilførsel / tilbaketrekking av



spinn i urviserretning (fremover)



spinn / revers mot urviserretningen



Elektriske apparater, batterier/oppladbare batterier skal ikke kastes sammen med vanlig husholdningsavfall. Elektriske og elektroniske apparater og oppladbare batterier skal samles separat og leveres til miljøvennlig deponering hos en avfallsbedrift. Informer deg hos myndighetene på stedet eller hos din fagforhandler hvor det finnes recycling bedrifter og oppsamlingssteder.



Apparatet bruker knapp/myntcelle lithiumbatteri.

n₀

Tomgangsturtall

V

Spenning



Likestrøm



Europeisk samsvarmerke



Britisk samsvarmerke



Ukrainsk samsvarmerke

001



Euroasiatisk samsvarmerke

Tekniska data	M18 FSSM
Fristående avloppsrensare	
Produktionsnummer	4749 26 02... ... 000001-999999
Batterispänning	18 V \equiv
Tomgångsvarvtal, obelastad n_0	0 - 700 min ⁻¹
Bluetooth-frekvensband	2402-2480 MHz
Radiofrekvenseffekt	1,8 dBm
Bluetooth-Version	4,0 BT signal mode
Frammatning/returhastighet max.	31 cm/s
Avloppsrensare kabelstorlek	\varnothing 22 mm (7/8") & \varnothing 32 mm (1 1/4")
Avloppsrensare kabellängd per sektion	4,5 m
Avloppsrensare kabelstorlek max.	60 m
Rekommenderad rördiameter	\varnothing 50 - 200 mm
Styrrör/styrslang längd	3500 mm
Styrrör/styrslang storlek	\varnothing 50 mm
Vikt enligt EPTA 01/2014 (med litiumjonbatteri 12,0 Ah)	33,32 kg
Vikt utan batteri, spiral och styrslang.	31,75 kg
Vikt utan batteri men med styrslang	37,55 kg
Rekommenderad omgivningstemperatur för driften	-18°C ... +50°C
Rekommenderade batterier (Akkupacks)	M18HB...; M18B...
Rekommenderade laddare	M12-18...; M1418C6
Bullerinformation	
Mätvärdena har tagits fram baserade på EN 62841. A-värdet av maskinens ljudnivå utgör:	
Ljudtrycksnivå (Onoggrannhet K=3dB(A))	69,21 dB (A)
Ljudeffektsnivå (Onoggrannhet K=3dB(A))	80,21 dB (A)
Använd hörselskydd!	



VARNING

Det i det här faktabladet angivna bulleremissionsvärdet har uppmätts enligt ett i EN 62841 normerat testförfarande och kan användas vid jämförelse mellan olika verktyg. Det är även lämpligt att använda vid en preliminär bedömning av belastningen.

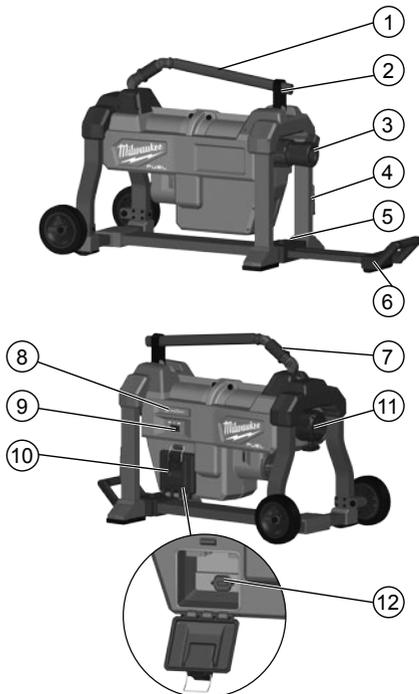
Det angivna bulleremissionsvärdet representerar den huvudsakliga användningen av det aktuella verktyget. Men om verktyget används för andra tillämpningar eller tillsammans med avvikande tillbehör eller om det är otillräckligt underhållet, kan bulleremissionsvärdet vara ett annat. Det kan öka belastningen betydligt under den totala arbetstiden.

För att få en exaktare bedömning av belastningen orsakad av buller ska även den tid beaktas, under vilken verktyget är avstängt eller är påslaget, utan att det verkligen används. Det kan reducera belastningen betydligt under den totala arbetstiden.

Lägg som skydd för användaren fast extra säkerhetsåtgärder mot bullers verkan, som till exempel: underhåll av verktyget och tillbehören och organisering av arbetsförlopp.

Bär hörselskydd. Buller kan leda till att du förlorar hörseln.

⚠️ VARNING! Läs alla säkerhetsanvisningar, instruktioner, beskrivningar och uppgifter som du får tillsammans med apparaten. Om nedanstående anvisningar ignoreras finns risk för att elstöt, brand och/eller allvarliga personskador uppstår. **Förvara alla varningar och anvisningar för framtida bruk.**



Enhetsbeskrivning

- | | |
|-----------------------------|------------------------------------|
| ① Håvstång | ⑧ ONE-KEY™ indikator |
| ② Bärkrok | ⑨ Framåt/Från/Bakåt |
| ③ Matningshylsa | ⑩ Batterifackslock |
| ④ Kabelkrok | ⑪ Bakre styringens slanganslutning |
| ⑤ Handtagets utlösningknapp | ⑫ ONE-KEY batterilucka |
| ⑥ Teleskophandtag | |
| ⑦ Hylsa till håvstång | |

⚠ SÄKERHETSANVISNINGAR FÖR RÖRENSARE

Använd alltid den bakre styrslangen när du arbetar med verktyget och säkerställ att kabeln inte sträcker sig bortom den bakre styrslangen. Detta förhindrar att kabeln slungas tillbaka vilket kan orsaka intrassling och personskador.

Rörensaren får endast användas för rör med de angivna storlekarna. Att använda en rörensare med fel storlek kan göra att spiralen förvrids, knäcks eller bryts av och kan därmed leda till personskador.

Ta bara tag i den roterande spiralen med de handskar som rekommenderas av tillverkaren. Latexhandskar eller löst sittande handskar eller trasor kan lindas upp runt spiralen och orsaka allvarliga personskador.

Säkerställ att spiralspetsen inte hakar fast så länge spiralen roterar. Annars kan spiralen överbelastas och förvridas för mycket, knäckas eller brytas av, vilket kan leda till allvarliga personskador.

Om röret som ska göras rent skulle kunna innehålla kemikalier, bakterier eller andra toxiska substanser resp. infektionalstrare, ska du under de av tillverkaren rekommenderade skyddshandskarna, använda latex- eller gummihandskar samt skyddsglasögon, ansiktsskydd, skyddskläder och andningsmask. Rörledningar kan innehålla kemikalier, bakterier eller andra substanser som kan vara toxiska eller infektionssalstrande och som kan orsaka frätskador eller andra allvarliga personskador.

Följ hygienföreskrifterna. Rök inte och ät inte medan du använder maskinen. Efter hantering eller användning av rörensare ska man alltid tvätta händerna och andra kroppsdelar som har kommit i kontakt med rörinnehållet med varmt vatten och tvål. Därigenom undviker du hälsorisker på grund av kontakt med toxiska och infektionssalstrande ämnen.

Övriga säkerhets- och användningsinstruktioner

Håll alltid en behandlad hand på kabeln när verktyget är igång. Detta innebär en bättre kontroll av kabeln och hjälper till att förhindra att kabeln vrids, snor sig eller bryts av vilket kan leda till allvarliga personskador.

Kontrollera innan användning om spiralen uppvisar förslitningsspår eller skador. Byt ut en sliten eller skadad spiral innan du använder rörensaren.

Förvrid, knäck eller böj inte spiralen överdrivet. Att bryta av spiralen kan leda till allvarliga personskador.

Inspektera röret som ska göras rent innan du använder maskinen. Bestäm i den mån det är möjligt en eller flera åtkomstpunkter, diameter, rörledningens diameter och längd, samt avståndet till huvudledningarna, typen av förstoppning och om det förekommer rörrengöringsmedel eller andra kemikalier. Om det finns kemikalier i avloppsröret ska lämpliga säkerhetsåtgärder

vidtas. Kontakta kemikalietillverkaren för att få nödvändig information.

Använd inte detta verktyg om användaren eller verktyget står i vatten. Att använda verktyget när det befinner sig i vatten ökar risken för elektriska stötar.

Täck vid behov över arbetsområdet. Att göra rent avloppsrör kan vara ett smutsigt arbete.

Försäkra dig om att spiralen är fullständig upplindad. På så sätt undviker du att spiralen kan slå som en piska när maskinens startas.

Placera avloppsrensaren högst 60 cm från avloppets öppning. Om avloppsrensaren inte kan placeras inom 60 centimeter från avloppets öppning, måste avloppets öppning förlängas med hjälp av ett rör med samma längd och rördelar. Om det är en större öppning är det svårt att kontrollera spiralen och den kan förvridas, knäckas eller brytas av.

Spiralen och på/av-knappen måste skötas av en och samma person. Om verktyget slutar att rotera måste det vara möjligt för användaren att stänga av verktyget för att förhindra att kabeln vrids, snor sig, bryts av eller slungas tillbaka.

Med undantag för de situationer som nämns i den här anvisningen får spiralen aldrig roteras bakåt. Att köra verktyget bakåt en längre tid kan orsaka skador på kabeln och tillbehören.

Använd alltid sunt förnuft och var försiktig när du använder verktyg. Det är inte möjligt att förutse alla situationer som kan leda till ett farligt resultat. Använd inte det här verktyget om du inte förstår den här bruksanvisningen eller om du känner att arbetet går utöver din förmåga. Kontakta Milwaukee Tool eller en utbildad fackman för ytterligare information eller utbildning.

Ta inte bort dekaler eller typskyltar. Dessa skyltar innehåller viktig information. Om dessa skyltar inte längre är läsbara eller saknas, kontakta MILWAUKEE-kundtjänst för att få nya utan kostnad.

WARNING! En del typer av damm som skapas vid eldriven avslipning, sågning, slipning och borrarning och annan byggverksamhet, innehåller kemikalier som man vet orsakar cancer, medfödda missbildningar eller andra reproduktionsskador. Sådana kemikalier är till exempel

- bly från blybaserad målarfärg
- kristallin kvarts från tegelstenar, cement och andra murverksprodukter
- arsenik och krom från kemiskt behandlat byggnadsvirke.

De risker som din exponering för sådant damm medför, beror på hur ofta du utför den här typen av arbete.

För att minska din exponering för dessa kemikalier är det viktigt att du arbetar i ett väl ventilerat utrymme och använder godkänd säkerhetsutrustning, som till exempel en dammfiltermask som är speciellt konstruerad för att filtrera bort mikroskopiska partiklar. Använd skyddsutrustning. Använd alltid skyddsglasögon när du använder maskinen. Som skyddsutrustning rekommenderar vi t.ex. en dammskyddsmask, skyddshandskar, stabila och halksäkra skor, hjälm och hörselkydd.

Det damm som bildas under arbetets gång är ofta hälsofarligt och det ska inte komma in i kroppen. Bär därför lämplig skyddsmask. Det är inte tillåtet att bearbeta material som kan vara hälsovadligt (t.ex. asbest).

Stäng av maskinen omedelbart om ett verktyg som används sitter fast! Sätt sedan inte på maskinen igen så länge som verktyget som används fortfarande sitter fast; risk för okontrollerade slag med högt reaktionsmoment. Ta reda på orsaken varför verktyget fastnade och åtgärda orsaken med hänsyn till säkerhetsanvisningarna.

Drag ur batteripaket innan arbete utföres på maskinen.
Kasta inte förbrukade batterier. Lämnas dem till Milwaukee Tools för återvinning.

Förvara ej batteriet ihop med metallföremål, kortslutning kan uppstå.

Under extrem belastning eller extrem temperatur kan batteri-vätska tränga ut ur skadade utbytesbatterier. Vid beröring med batteri-vätska tvätta genast av med vatten och tvål. Vid ögonkontakt spola genast i minst 10 minuter och kontakta genast läkare. För att undvika den fara för brand, personskador eller produkt-skador som orsakas av en kortslutning, doppa inte ner verktyget, utbytesbatteriet eller laddaren i vätskor och se till att ingen vätska kan tränga in i apparaterna eller batterierna. Korroderande eller ledande vätskor, som saltvatten, vissa kemikalier, blekningsmedel eller produkter som innehåller blekmedel, kan orsaka en kortslutning.

System M18 batterier laddas endast i System M18 laddare. Ladda inte batterier från andra system.

Batterier lagras torrt och skyddas för fukt.

VARNING



Denna anordning innehåller ett litium knappcells-batteri. Ett nytt eller använt batteri kan orsaka allvariga inre brännskador och leda till döden på endast 2 timmar om det sväljs eller kommer in i kroppen. Säkra alltid batterifackets lock. Om det inte stänger ordentligt, stanna anordningen, ta ut batteriet och håll det utom räckhåll för barn. Uppsök omedelbart läkare om du tror att någon har svält batteriet eller det har kommit in i kroppen på annat sätt.

ANVÄND MASKINEN ENLIGT ANVISNINGARNA

Den fristående avlopprensaren är en avlopprensningmaskin som används för rengöring av sekundära avloppsledningar, som finns i kök, badrum och tvättstugor.

ONE-KEY™

Läs medföljande snabbvägledning eller besök oss på Internet på <http://www.milwaukeeetool.com/one-key>, för att få reda på mer om ONE-KEY-funktionen hos det här verktyget.

Du kan ladda ner ONE-KEY-appen till din smarttelefon via App Store eller Google Play. Proveresultatet uppfyller våra minimikrav enligt EN 301 489-1 / EN 301 489-17. Och vi kommer att ge kunden en handledning för drift i bruksanvisningen.

ONE-KEY™ indikator	
Enfärgat blått	Trådlöst läge har aktiverats och är klart att konfigureras via ONE-KEY™ appen.
Blinkande blått	Verktyget kommunicerar aktivt med ONE-KEY™ appen.
Blinkande rött	Verktygen är säkerhetslåsta och kan låsas upp av ägaren via ONE-KEY™ appen.

BATTERIER

Batteri som ej använts på länge måste laddas före nytt bruk. En temperatur över 50°C reducerar batteriets effekt. Undvik längre uppvärmning tex i solen eller nära ett element. Se till att anslutningskontaktarna i laddaren och på batteriet är rena.

För att batterierna ska få lång livslängd ska de laddas fulla efter användning.

För att få en så lång livslängs som möjligt bör laddningsbara batterier avlägsnas från laddaren när de är laddade.

Om laddningsbara batterier lagras längre än 30 dagar: Lagra batteriet torrt och vid ca 27°C. Lagra batteriet vid ca 30%-50% av laddningskapaciteten. Ladda batterierna på nytt var 6:e månad.

TRANSPORTERA LITIJUMJON-BATTERIER

För litiumjon-batterier gäller de lagliga föreskrifterna för transport av farligt gods på väg.

Därför får dessa batterier endast transporteras enligt gällande lokala, nationella och internationella föreskrifter och bestämmelser.

Konsumenter får transportera dessa batterier på allmän väg utan att behöva beakta särskilda föreskrifter.

För kommersiell transport av litiumjon-batterier genom en speditjonsfirma gäller emellertid bestämmelserna för transport av farligt gods på väg. Endast personal som känner till alla tillämpliga föreskrifter och bestämmelser får förbereda och genomföra transporten. Hela processen ska följas upp på fackmässigt sätt.

Följande ska beaktas i samband med transporten av batterier:

Säkerställ att alla kontakter är skyddade och isolerade för att undvika kortslutning. Se till att batteripacken inte kan glida fram och tillbaka i förpackningen. Transportera aldrig batterier som läcker, har runnit ut eller är skadade. För mer information vänligen kontakta din speditjonsfirma.

BATTERI-ÖVERBELASTNINGSSKYDD

Om det laddningsbara batteriet överbelastas genom en mycket hög strömförbrukning, t.ex. extremt höga vridmoment, ett plötsligt stopp eller en kortslutning, så vibrerar elverktyget i 5 sekunder, laddningsindikeringen blinkar och elverktyget fränkopplas automatiskt.

För att sedan sätta på elverktyget igen släpper du tryckbrytaren och tillkopplar sedan verktyget igen.

Vid en extrem belastning blir det laddningsbara batteriet för varmt. I detta fall blinkar alla lampor på laddningsindikeringen så länge tills batteriet har svalnat. När laddningsindikeringen har slocknat kan du fortsätta med arbetet.

Sätt då batteriet i laddaren för att ladda upp och aktivera det igen.

FLERA TIPS FÖR ANVÄNDNINGEN

Se bilderna för den normala användningen.

För in spiralen i röret med en lätt framåt- och bakåtriktad rörelse tills förstoppningen har lösts upp.

OBS: Om verktyget blockerar, släpp omedelbart brytaren.

Lösa en blockerad rörensare:

1. Vrid framåt/från/bakåt-knappen till bakåtläge och vrid matningshyslan till rotation 0.
2. Dra tillbaka verktyget några centimeter med bakåtrotation för att lösa spiralen.
3. Stanna verktyget.
4. När verktyget har stannat helt, vrid du tillbaka framåt/från/bakåt-knappen till framåt-läget.

OBSERVERA! Att fortsätta köra verktyget med bakåtrotation kan leda till att spiralen och tillbehöret skadas.

Om det är svårt att få kabeln genom ett vattenlås eller en annan rördel kan följande metoder eller kombination av metoder användas.

1. Starka tryck nedåt på kabeln, både med och utan att spiralen roterar, kan hjälpa kabeln genom ett vattenlås.
2. När hävstången har lossats, kan en manuell rotation av kabeln ändra skärarens riktning så att den lättare kan passera rördelen.



3. Kör avloppsprensaren i REV rotation i några sekunder medan du trycker ner kabeln. Gör detta endast tillräckligt länge för att få kabeln att gå igenom vattenlåset. Att köra spiralen bakåt kan skada kabeln.

Om dessa alternativ inte fungerar, kan du överväga att använda en mindre diameter eller en böjligare kabel.

MONTERA SPIRAL

Observera bilderna för montering av spiralen.

WARNING! Spiralen står under tryck och kan vid monteringen plötsligt snäppa ut, vilket kan leda till personskador. Använd skyddsglasögon eller glasögon med sidoskydd för att hålla skaderisken så låg som möjligt.

Bär alltid läderhandskar.

Läs bruksanvisningen. Använd en lämplig skyddsutrustning.

När du använder rörensaren kan du komma i kontakt med kemikalier, bakterier eller andra frätande, toxiska eller infektiösa substanser.

Tvätta efter användningen händerna med varmt vatten och tvål.

SKÖTSEL

Drag ur batteripaket innan arbete utföres på maskinen.

Torka av den friliggande spiralen med en trasa och skjut tillbaka in den i trumman.

Innan rörensaren läggs undan för förvaring, dra ut spiralen helt. Gör rent spiralen och linda upp den löst.

Använd endast Milwaukee-tillbehör och Milwaukee-reservdelar. Komponenter, för vilka inget byte beskrivs, skall bytas ut hos Milwaukee-kundtjänst (se broschyren garanti-/kundtjänstadresser).

Vid behov av sprängskiss, kan en sådan, genom att uppge maskinens art. nr. (som finns på typskylten) erhållas från: Techtronic Industries GmbH, Max-Eyth-Straße 10, 71364 Winnenden, Germany.

CE-FÖRSÄKRAN

Vi tar på vårt ansvar att produkten som har beskrivits under Tekniska data uppfyller alla relevanta villkor i direktiven: 2011/65/EU (RoHS)

2006/42/EG, 2014/30/EU, 2014/53/EU

samt att följande harmoniserade standarder har använts.
EN 62841-1:2015

EN 62841-3-14:2017

EN 55014-1:2017+A11:2020

EN 55014-2:2015

EN 62479:2010

EN 300 328 V2.2.2

EN 301 489-1 V2.2.3

EN 301 489-17 V3.1.1

EN IEC 63000:2018



Winnenden. 2020-11-17

Alexander Krug / Managing Director
Befullmäktigad att sammanställa teknisk dokumentation.
Techtronic Industries GmbH
Max-Eyth-Straße 10, 71364 Winnenden, Germany

SYMBOLER



OBSERVERA! VARNING! FARA!



Läs instruktionen noga innan du startar maskinen.



Använd alltid skyddsglasögon.



Använd alltid skyddshandskar – helst i läder!



Drag ur batteripaket innan arbete utföres på maskinen.



Tillbehör - Ingår ej i leveransomfånget, erhålles som tillbehör.



Överbelasta inte kablar.



Överbelastning av kablar kan leda till att de vrids, snor sig eller bryts av vilket kan leda till allvarliga personskador.



Automatisk frammatning/retur urval till



Automatisk frammatning/retur urval från



Rotationsriktning medurs (framåt)



Rotationsriktning moturs (bakåt)



Elektriska maskiner, batterier/uppladdningsbara batterier och får inte slängas tillsammans med de vanliga hushållssoporna. Elektriska maskiner och uppladdningsbara batterier ska samlas separat och lämnas till en avfallsstation för miljövänlig avfallshandling. Kontakta den lokala myndigheten respektive kommunen eller fråga återförsäljare var det finns speciella avfallsstationer för elskrot.



Denna anordning innehåller ett litium knappcells batteri.

n₀

Tomgångsvarvtal, obelastad

V

Spänning



Likström



Europeiskt konformitetsmärke



Britiskt konformitetsmärke



Ukrainskt konformitetsmärke

001



Euroasiatiskt konformitetsmärke

Tekniset arvot Jatkojousikone	M18 FSSM
Tuotantonumero	4749 26 02... ... 000001-999999
Jännite vaihtoakku	18 V \equiv
Kuormittamaton kierroslukua n_0	0 - 700 min ⁻¹
Bluetooth-taajuus (taajuudet)	2402-2480 MHz
Lähetysteho	1,8 dBm
Bluetooth-versio	4,0 BT signal mode
Syöttö-/sisäänvetonopeus maks.	31 cm/s
Viemärinpuhdistajan vaijerin koko	ø 22 mm (7/8") & ø 32 mm (1 1/4")
Viemärinpuhdistajan jatkovaijerin pituus	4,5 m
Viemärinpuhdistajan vaijerin maks. pituus	60 m
Putken suositeltu halkaisija	ø 50 - 200 mm
Ohjausletkun pituus	3500 mm
Ohjausletkun koko	ø 50 mm
Paino EPTA-meneteltyen 01/2014 mukaan (Li-ion-akun kanssa 12,0 Ah)	33,32 kg
Paino ilman akkua, tyhjennysvaijeria ja ohjausletkua.	31,75 kg
Paino ilman akkua, ohjausletkun kanssa	37,55 kg
Suosittelu ympäristön lämpötila käytön aikana	-18°C ... +50°C
Suosittelut akkusarjat	M18HB...; M18B...
Suosittelut latauslaitteet	M12-18...; M1418C6
Melunpäästötiedot Mitta-arvot määritetty EN 62841 mukaan. Koneen tyyppilinen A-luokitettu melutaso: Melutaso (Epävarmuus K=3dB(A)) Äänenvoimakkuus (Epävarmuus K=3dB(A)) Käytä kuulosuojaimia!	69,21 dB (A) 80,21 dB (A)

VAROITUS

Tässä ohjelehdessä annettu melunpäästöarvo on mitattu standardilla EN 62841 normitetulla koestusmenetelmällä ja sitä voidaan käyttää työkalujen vertailuun keskenään. Sitä voidaan käyttää myös rasituksen alustavaan arvioon.

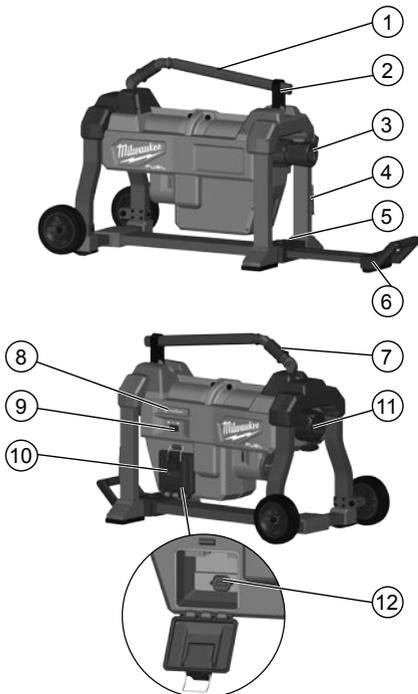
Annettu melunpäästöarvo edustaa työkalun pääasiallisia sovellusalueita. Jos työkalua käytetään muihin tarkoituksiin tai poikkeavin varustein, tai jos sitä ei ole huollettu riittävän hyvin, niin melunpäästöarvo saattaa poiketa tästä. Seurauksena voi olla rasituksen huomattava lisääntyminen kokonaistyöajan puitteissa.

Melurasituksen tarkkaa arviointia varten tulisi ottaa huomioon myös ne ajat, jolloin työkalu on sammutettu tai se käy, mutta sitä ei sillä hetkellä käytetä. Tämä saattaa huomattavasti vähentää rasitusta kokonaistyöajan puitteissa.

Määriä lisätoimenpiteitä käyttäjän suojaamiseksi melun haittavaikutuksilta, kuten esimerkiksi työkalun ja varusteiden huolto sekä työvaiheiden organisointi.

Käytä korvasuojia. Melulle altistuminen voi heikentää kuuloa.

VAROITUS! Lue kaikki varoimenpiteet, ohjeet, kuvalliset esitykset ja tiedot, jotka toimitetaan laitteen mukana. Ellet noudata seuraavia ohjeita, saattaa se johtaa sähköiskuun, tulipaloon ja/tai vaikeisiin loukkaantumisiin. Säilytä kaikki turvallisuus- ja muut ohjeet tulevaisuutta varten.



Laitteen kuvaus

- | | |
|--------------------------|-----------------------------|
| ① Vipuvarsi | ⑧ ONE-KEY™-merkkivalo |
| ② Kantokoukku | ⑨ Eteen/pois/taakse |
| ③ Syöttökaulus | ⑩ Akun luukku |
| ④ Vajjerikoukku | ⑪ Takaohjausletkun liitäntä |
| ⑤ Kahvan vapautuspainike | ⑫ ONE-KEY-akku suojaus |
| ⑥ Teleskooppikahva | |
| ⑦ Vipuvarren kaulus | |

▲ PUTKENPUHDISTUSLAITTEIDEN TURVALLISUUSMÄÄRÄYKSET

Käytä aina takaohjausletkua työkalua käytettäessä ja varmista, että vajjeri ei ulotu takaohjausletkun ulkopuolelle. Tämä estää vajjerin piiskaavan liikkeen, joka voi aiheuttaa kietoutumista ja henkilövahinkoja.

Putkenpuhdistuslaitetta saa käyttää vain sille määrättyihin putkikokoihin. Väärinkokoinen putkenpuhdistuslaitteen käyttö voi aiheuttaa kierukan liiallisen kiertymisen, taantumisen tai katkeamisen ja aiheuttaa vammoja.

Tartu pyörivään kierukkiaan vain valmistajan suosittelemia käsiaineita käyttäen. Lateksikäsiaineet, väljät käsiaineet tai liinat voivat kiertyä kierukan ympärille ja aiheuttaa vaikeita vammoja.

Kierukan kärjen tulee pyöräillä niin kauan kuin itse kierukakin pyörii. Muutoin kierukka saattaa ylikuormittua ja kiertyä liiaksi, taittua tai katketa, josta voi aiheutua vaikeita vammoja.

Jos puhdistettavassa viemäriputkessa saattaa olla kemikaaleja, bakteereja tai muita myrkyllisiä aineita tai tulehdusaiheuttajia, niin käytä valmistajan suosittelemien suojakäsineiden alla lateksi- tai kumikäsiaineita sekä lisäksi suojalaseja, kasvonaamaria, suojavaatteita ja hengityssuojainta. Putkijohdoissa saattaa olla kemikaaleja, bakteereja tai muita aineita, jotka ovat myrkyllisiä tai tulehduksia aiheuttavia ja voivat aiheuttaa syövytysvammoja tai muita vaikeita vammoja.

Noudata hygieniasta annettuja määräyksiä. Älä syö tai tupakoi laitetta käytettäessä. Putkenpuhdistuslaitteiden käsittelemisen tai käytön jälkeen tulee pestä kädet ja muut ruumiinosat, jotka ovat joutuneet kosketuksiin putken sisällön kanssa, aina lämpimällä vedellä ja saippualla.

Näin vältät myrkyllisten tai tulehduksia aiheuttavien aineiden koskettamisesta syntyvät terveydelliset riskit.

Täydentäviä turvallisuusmääräyksiä ja työskentelyohjeita
Pidä hansikkaalla suojattua kättä vajjerilla aina, kun työkalu on käynnissä. Tämä tarjoaa paremman vajjerin hallinnan ja estää vajjerin kiertymisen, murtumisen tai katkeamisen, muutoin voi aiheutua vakavia henkilövahinkoja.

Tarkasta ennen käyttöä, onko kierukassa kulumia tai vaurioita. Vaihda loppuun kulunut tai vahingoittunut kierukka ennen putkenpuhdistuslaitteen käyttöä.

Älä kierrä kierukkaa liiaksi, taita sitä tai taivuta sitä liian voimakkaasti. Kierukan katkeaminen voi aiheuttaa vaikeita vammoja.

Tarkasta puhdistettava putki ennen laitteen käyttöä. Määritä, mikäli mahdollista, pääsykohdat, putkijohdon halkaisija ja pituus sekä etäisyys pääjohdoin, tukkeuman tyyppi sekä onko käytetty putkenpuhdistusainetta tai muita kemikaaleja. Mikäli viemäriputkessa on kemikaaleja, tulee ryhtyä vastaaviin varotoimiin. Ota yhteyttä kemikaalin valmistajaan saadaksesi tarvittavat tiedot.

Älä käytä tätä työkalua, jos käytät sitä työkalu on vedessä. Työkalun käyttö vedessä lisää sähköiskun vaaraa.

Peitä työalue tarvittaessa. Viemäriputkien puhdistaminen voi olla likaista työtä.

Varmista, että kierukka on kelattu kokonaan auki laitteesta. Täten estät kierukan piiskaniskut laitteen käynnistyessä.
Sijoita viemäripuhdistaja enintään 60 cm:n päähän viemärin aukosta. Jos viemäripuhdistajaa ei voida sijoittaa enintään 60 cm:n etäisyydelle viemärin aukosta, viemärin aukkoa on jatkettava käytännöllä samankokoista putkea ja liitososia. Jos välimatka on suurempi, niin kierukkaa on vaikea hallita ja se voi kiertyä liiaksi, taittua tai katketa.

Saman henkilön tulee käyttää kierukkaa ja päälle/pois-katkaisinta. Jos työkalu lakkaa pyörimästä, käyttäjän on voitava sammuttaa työkalu kiertymisen, murtumisen, katkeamisen tai vajjerin piiskautumisen estämiseksi.

Muissa kuin tässä ohjeessa mainituissa tilanteissa ei kierukkaa saa pyörittää taaksepäin. Työkalun ajaminen käänteiseen suuntaan pidempinä aikoja voi aiheuttaa vahinkoa vajjerille ja lisälaitteille.

Käytä aina maalaisjärkeä ja ole varovainen työkaluja käytettäessä. Jokaisen vaaratilanteeseen johtavan tilanteen ennakoiminen on mahdotonta. Älä käytä tätä työkalua, mikäli et ymmärrä näitä käyttöohjeita tai koet, että työ ylittää kykyisi; ota yhteyttä Milwaukeen Tooliin tai koulutettuun ammattilaiseen lisätietoja tai -koulutusta varten.

Älä poista etikettejä tai tyyppikilpiä. Näissä kilvissä on tärkeitä tietoja. Jos nämä ohjekilvet eivät enää ole luettavissa tai puuttuvat, ota yhteyttä MILWAUKEE-asiakaspalveluun saadaksesi uudet kilvet maksutta.

VAROITUS! Tehohiönasta, sahausesta, hionnasta, porauksesta ja muista rakentamistoimista syntyvä pöly sisältää kemikaaleja, joiden tiedetään aiheuttavan syöpää, synnynnäisiä poikkeavuuksia tai muita lisääntymishäiriöitä. Joitain esimerkkejä näistä kemikaaleista ovat:

- lyijypohjaisen maalin lyijy
- tiilien ja sementin sekä muiden muuraustuotteiden kiteinen piidioksidia
- kemiallisesti käsitellyn puutavaran arsenikki ja kromi.

Näiden altistusten vaara vaihtelee riippuen tämän tyyppisen työn toteuttamistiheydestä.

Näille kemikaaleille altistumisesi vähentämiseksi: työskentele hyvin ilmastoidulla alueella ja käytä työskennellessäsi hyväksytyjä suojavarusteita, kuten erityisesti mikrokooppiset hiukkaset suodattamaan suunniteltuja hengityssuojaimia.

Käytä suojavarusteita. Käytä aina suojalaseja käytettäessä konetta. Suosittelemme suojavarusteiden käyttöä, näihin kuuluvat pölysuojanaamarit, työkäsiaineet, tukevat, luistamattomat jalkineet, kypärä ja kuulosuojukset.

Koneen käytöstä aiheutuva pöly ja jäte voi olla haitallista terveydelle eikä sen vuoksi tulisi päästä kosketukseen ihon kanssa. Koneella työskennellessä on käytettävä sopivaa suojainta.

Terveydellisiä vaaroja aiheuttavien materiaalien (esim. asbestin) työstäminen on kiellettyä.

Jos käytetty työkalu juuttuu kiinni, sammuta laite heti! Älä kytke laitetta uudelleen päälle työkalun ollessa vielä kiinni juuttuneena, koska tästä saattaa aiheutua voimakas takaisku. Selvitä työkalun juuttumisen syy ja poista syy turvallisuusmääräyksiä noudattaen. Ota akku pois ennen kaikkia koneeseen tehtäviä toimenpiteitä.

Käytettyjä vaihtoakkuja ei saa polttaa eikä poistaa normaalin jätehuollon kautta. Milwaukeella on tarjolla vanhoja vaihtoakkuja varten ympäristöystävällinen jätehuoltopalvelu.

Vaihtoakkuja ei saa säilyttää yhdessä metallisineiden kanssa (oikosulkuvaara).

Vaurioituneesta akusta saattaa erityisen kovassa käytössä tai poikkeavassa lämpötilassa vuotaa akkuhappoa. Ihonkohta, joka on joutunut kosketukseen akkuhapon kanssa on viipymättä pestävä vedellä ja saippualla. Silmä, johon on joutunut akkuhappoa, on huuhdeltava vedellä vähintään 10 minuutin ajan, jonka jälkeen on viipymättä hakeuduttava lääkärin apuun.

Jotta vältetään lyhytsulun aiheuttama tulipalon, loukkaantumisen tai tuotteen vahingoittumisen vaara, älä koskaan upota työkalua, vaihtoakkuja tai latauslaitetta nesteeseen ja huolehdi siitä, ettei mitään nesteitä pääse tunkeutumaan laitteiden tai akkujen sisään. Syövyttävät tai sähköä johtavat nesteet, kuten suolavesi, tietyt kemikaalit ja lalkaisuaineet tai valkaisuaineita sisältävät tuotteet voivat aiheuttaa lyhytsulun.

Käytä ainoastaan System M18 latauslaitetta System M18 akkujen lataukseen. Älä käytä muiden järjestelmien akkuja.

Vaihtoakkuja ja latauslaitteita ei saa avata. Säilytys vain kuivissa tiloissa. Suojattava kosteudelta.



VAROITUS



Tämä laite sisältää litium-nappipariston. Uusi tai käytetty akku voi aiheuttaa vakavia sisäisiä palovammoja ja johtaa kuolemaan alle kahdessa tunnissa, jos se niellään tai joutuu jollakin muulla tavalla kehoon. Kiinnitä aina paristolokeron kansi. Jos se ei sulkeudu turvallisesti, pysäytä laite, poista akku ja pidä se lasten ulottumattomissa. Jos epäilet, että jokin henkilö on niellyt akun tai että se on joutunut jollakin muulla tavalla kehoon, tämän henkilön täytyy hakeutua välittömästi lääkäriin hoitoon.

TARKOITUKSEN MUKAINEN KÄYTTÖ

Jatkojousikone on viemärinpuhdistuslaitte, jota käytetään puhdistamaan sekundäärisiä tyhjennysputkia esim. keittiössä, kylpyhuoneissa ja kodinhoituhuoneissa.

ONE-KEY™

Lue mukana toimitettu pikakäyttöohje tai käy verkossa sivulla <http://www.milwaukeetool.com/one-key> tutustuaksesi tämän työkalun ONE-KEY-toiminnallisuuteen.

Voit ladata ONE-KEY-sovelluksen App Storen tai Google Playn kautta älypuhelimellesi. Koestustulos täyttää standardien EN 301 489-1 / EN 301 489-17 mukaiset vähimmäisvaatimuksemme. Annamme ohjausta toiminnasta asiakkaille käyttöoppaassa.

ONE-KEY™-merkkivalo	
Jatkuva sininen	Langaton tila on aktiivinen ja valmis konfiguroitavaksi ONE-KEY™-sovelluksella.
Vilkkuva sininen	Työkalu kommunikoi aktiivisesti ONE-KEY™-sovelluksen kanssa.
Vilkkuva punainen	Työkalu on turvalukittu ja omistaja voi avata sen ONE-KEY™-sovelluksella.

AKKU

Pitkään käyttämättä olleet vaihtoakut on ladattava ennen käyttöä. Yli 50°C lämpötilassa akun suorituskyky heikkenee. Vältäthän akkujen säilyttämistä auringossa tai kuumissa tiloissa.

Pidä aina latauslaitteen ja akun kosketinpinnat puhtaina.

Optimaalisen käyttöajan saavuttamiseksi akut on ladattava täyteen käytön jälkeen.

Mahdollisimman pitkän elinajan takaamiseksi akut tulee poistaa laturista lataamisen jälkeen.

Akkuja yli 30 päivää säilytettäessä: Säilytä akku yli 27°C:ssa ja kuivassa. Säilytä akku sen latauksen ollessa 30% - 50%. Lataa akku 6 kuukauden välein uudelleen.

LITIUMI-IONI AKKujen KULJETTAMINEN

Litiumi-ioniakut kuuluvat vaarallisten aineiden kuljetuksesta annettujen lakien piiriin.

Näiden akkujen kuljettaminen täytyy suorittaa noudattaen paikallisia, kansallisia ja kansainvälisiä määräyksiä ja säädöksiä.

Kuluttajat saavat ilman muuta kuljettaa näitä akkuja teitä pitkin.

Kaupallisessa kuljetuksessa huolintaliikkeiden täytyy kuljettaa litiumi-ioniakkuja vaarallisten aineiden kuljetuksesta annettujen määräysten mukaisesti.

Ainoastaan tähän vastaavasti koulutetut henkilöt saavat suorittaa kuljetuksen valmistelutoimet ja itse kuljetuksen. Koko prosessia tulee valvoa asiantuntevasti.

Seuraavat kohdat tulee huomioida akkuja kuljetettaessa:

Varmista, että akkujen kontaktit on suojattu ja eristetty, jotta vältetään lyhytsulut. Huolehdi siitä, ettei akkasarja voi luiskahtaa paikaltaan pakkauksen sisällä. Vahingoittuneita tai vuotavia akkuja ei saa kuljettaa. Pyydä tarkemmat tiedot huolintaliikkeeltäsi.

AKUN YLIKUORMITUS SUOJUS

Jos akku ylikuormittuu erittäin suuren virrankulutuksen takia, esim. erittäin voimakkaiden vääntömomenttien, äkillisen pysäyttämisen tai oikosulun vuoksi, niin sähkötyökalu tärisee 5 sekunnin ajan, latausnäyttö vilkkuu ja sähkötyökalu sammuu omatoimisesti. Käynnistä laite uudelleen päästämällä katkaisinpainikkeen irti ja käynnistämällä laitteen sitten uudelleen.

Erittäin suuressa kuormituksessa akku kuumenee liikaa. Tässä tapauksessa latausnäytön kaikki lamput vilkkuvat, kunnes akku on jäähtynyt. Kun latausnäyttö on sammunut, voi työtä jatkaa.

Työnnä akku sitten latauslaitteeseen ja lataa se jälleen, jotta se aktivoituu.

LISÄOHJEITA KÄYTTÖÄ VARTEN

Normaalikäyttö on esitetty kuivissa.

Vie kierukka putken pienin edestakaisliikkein, kunnes tukkeuma on poistettu.

VIITE: Jos työkalu juuttuu kiinni, päästä katkaisin heti irti.

Näin irrotat kiinni juuttuneen putkenpuhdistuslaitteen:

1. Käännä eteen/pois/taakse-kytkin reverse-asentoon ja käännä syöttökaulus asentoon pyörintä 0.

2. Vedä työkalua taaksepäin pyörittäen muutama senttimetri takaisin irrottaaksesi kierukan.

3. Pysäytä työkalu.

4. Kun työkalu on pysähtynyt täysin, kytke eteen/pois/taakse-kytkin takaisin eteen-asentoon.

VAROITUS! Työkalun jatkuva pyöryys taaksepäin voi aiheuttaa kierukan ja varusteiden vahingoittumisen.

Jos vajeria on vaikea saada erottimen tai muun liittimen läpi, voidaan käyttää seuraavia menetelmiä tai niiden yhdistelmiä.

1. Vajerin terävät alaspäin suuntautuvat työntövoimat, vajerin pyörässä tai ilman sitä, voivat auttaa vajerin erottimen läpi.

2. Kun vipuvarsi on vapautettu, vajerin kiertäminen käsin voi muuttaa leikkurin suuntaa ja mahdollistaa helpomman liittimen läpi menon.

3. Käytä viemärinpuhdistajaa käänteisellä kierrolla useamman sekunnin ajan painaen vajeria samalla alas. Tee tätä vain niin kauan, että vajeri lähtee liikkumaan erottimen läpi. Vajerin ajo käänteiseen suuntaan voi vahingoittaa vajeria.

Jos nämä vaihtoehdot eivät toimi, kannattaa harkita pienempää halkaisijaa tai joustavampaa kaapelia.



KIERUKAN ASENNUS

Noudata kuvissa olevia ohjeita kierukan asentamiseksi.

VAROITUS! Kierukka on jännityksen alainen ja voi asennettaessa yllättäen singota pois, mikä voi aiheuttaa vammoja. Käytä suojalaseja tai sivusuojuksin varustettuja silmälasia pitäväksesi tapaturman vaaran mahdollisimman pienenä.

Käytä aina nahkakäsineitä.

Lue käyttöohje. Käytä tarkoituksenmukaisia suojavarusteita.

Putkenpuhdistimen käytössä voit joutua kosketuksiin kemikaalien, bakteerien tai muiden syövyttävien, myrkyllisten tai tartuttavien aineiden kanssa.

Pese kätesi käytön jälkeen lämpimällä vedellä ja saippualla.

HUOLTO

Ota akku pois ennen kaikkia koneeseen tehtäviä toimenpiteitä.

Pyyhi ulos vedetty kierukka liinalla ja työnnä se takaisin säiliöön.

Ennen putkenpuhdistuslaitteen varastointia vedä kierukka kokonaan ulos. Puhdista kierukka ja kela se löysästi rullalle.

Käytä ainoastaan Milwaukee lisätarvikkeita ja Milwaukee varaosia.

Mikäli jokin komponentti, jota ei ole kuvailtu, tarvitsee vaihtoa ota yhteys johonkin Milwaukee palvelupisteistä (kts. listamme takuuhuoltoliikkeiden/ palvelupisteiden osoitteista)

Tarpeen vaatiessa voit pyytää lähettämään laitteen kokoonpanopiirustuksen ilmoittamalla arvokilven numeron seuraavasta osoitteesta: Techtronic Industries GmbH, Max-Eyth-Straße 10, 71364 Winnenden, Germany.

TOIDISTUS CE-STANDARDINMUKAISUUDESTA

Vakuutamme täten olevamme yksin vastuussa siitä, että kohdassa "Tekniset tiedot" kuvattu tuote vastaa kaikkia direktiivien merkittävissä sääöksissä:

2011/65/EU (RoHS)

2006/42/EY

2014/30/EU

2014/53/EU

ja seuraavia yhdenmukaistettuja standardeja on käytetty.

EN 62841-1:2015

EN 62841-3-14:2017

EN 55014-1:2017+A11:2020

EN 55014-2:2015

EN 62479:2010

EN 300 328 V2.2.2

EN 301 489-1 V2.2.3

EN 301 489-17 V3.1.1

EN IEC 63000:2018



Winnenden. 2020-11-17

Alexander Krug / Managing Director
Valtuutettu kokoamaan tekniset dokumentit.
Techtronic Industries GmbH
Max-Eyth-Straße 10, 71364 Winnenden, Germany

SYMBOLIT



HUOMIO! VAROITUS! VAARA!



Lue käyttöohjeet huolellisesti, ennen koneen käynnistämistä.



Käytä laitteella työskennellessäsi aina suojalaseja.



Käytä aina suojakäsineitä – mieluiten nahkaisia!



Ota akku pois ennen kaikkia koneeseen tehtäviä toimenpiteitä.



Lisälaitte - Ei sisälly vakiovarustukseen, saatavana lisätarvikkeena.



Älä ylikuormita vaijereita.

Vaijerien ylikuormitus voi aiheuttaa vaijerin kiertymisen, murtumisen tai katkeamisen, mikä puolestaan voi johtaa vakaviin loukkaantumisiin.



Autom. syötön /sisäänvedon valinta päällä



Autom. syötön /sisäänvedon valinta pois



Pyörintäsuunta myötäpäivään (eteen)



Pyörintäsuunta vastapäivään (taaksepäin)



Sähkölaitteita, paristoja/akkuja ei saa hävittää yhdessä kotitalousjätteiden kanssa. Sähkölaitteet ja akut tulee kerätä erikseen ja toimittaa kierrätysliikkeeseen ympäristöystävällistä hävittämistä varten. Pyydä paikallisilta viranomaisilta tai alan kauppiailtasi tarkemmat tiedot kierrätyspisteistä ja keräyspaikoista.



Tämä laite sisältää litium-nappipariston.

n₀

Kuormittamaton kierrosluku

V

Jännite



Tasavirta



Euroopan säännönmukaisuusmerkki



Britannian säännönmukaisuusmerkki



Ukrainan säännönmukaisuusmerkki



Euraasian säännönmukaisuusmerkki

Τεχνικά στοιχεία	M18 FSSM
Αποφρακτικό μηχανήμα τμηματικού σπιδάλ	
Αριθμός παραγωγής	4749 26 02... ... 000001-999999
Τάση ανταλλακτικής μπαταρίας	18 V \equiv
Αριθμός στροφών χωρίς φορτίο n_0	0 - 700 min ⁻¹
Ζώνη/ες συχνότητας Bluetooth	2402-2480 MHz
Ισχύς εκπομπής	1,8 dBm
Έκδοση Bluetooth	4,0 BT signal mode
Ταχύτητα προώθησης/επιαναφοράς Μέγ.	31 cm/s
Μέγεθος καλωδίου εργαλείου καθαρισμού αποχέτευσης	\varnothing 22 mm (7/8") & \varnothing 32 mm (1 1/4")
Μήκος τμηματικού καλωδίου εργαλείου καθαρισμού αποχέτευσης	4,5 m
Μέγ. μήκος καλωδίου εργαλείου καθαρισμού αποχέτευσης	60 m
Συνιστώμενη διάμετρος αγωγού	\varnothing 50 - 200 mm
Μήκος σωλήνα-οδηγού / λάστιχου καθοδήγησης	3500 mm
Μέγεθος σωλήνα-οδηγού / λάστιχου καθοδήγησης	\varnothing 50 mm
Βάρος σύμφωνα με τη διαδικασία EPTA 01/2014 (με μπαταρία ιόντων λιθίου 12,0 Ah)	33,32 kg
Βάρος χωρίς μπαταρία, ατσάλινα και λάστιχο καθοδήγησης.	31,75 kg
Βάρος χωρίς μπαταρία, αλλά με λάστιχο καθοδήγησης	37,55 kg
Συνιστώμενη θερμοκρασία περιβάλλοντος για τη λειτουργία	-18°C ... +50°C
Συνιστώμενη δέσμη συσσωρευτών	M18HB...; M18B...
Συνιστώμενη συσκευή φόρτισης	M12-18...; M1418C6
Πληροφορίες θορύβου	
Τιμές μέτρησης εξακριβωμένες κατά EN 62841. Η σύμφωνα με την καμπύλη A εκτιμηθείσα στάθμη θορύβου του μηχανήματος αναφέρεται σε:	
Στάθμη ηχητικής πίεσης (Ανασφάλεια K=3dB(A))	69,21 dB (A)
Στάθμη ηχητικής ισχύος (Ανασφάλεια K=3dB(A))	80,21 dB (A)
Φοράτε προστασία ακοής (ωτασπίδες)!	



ΠΡΟΕΙΔΟΠΟΙΗΣΗ

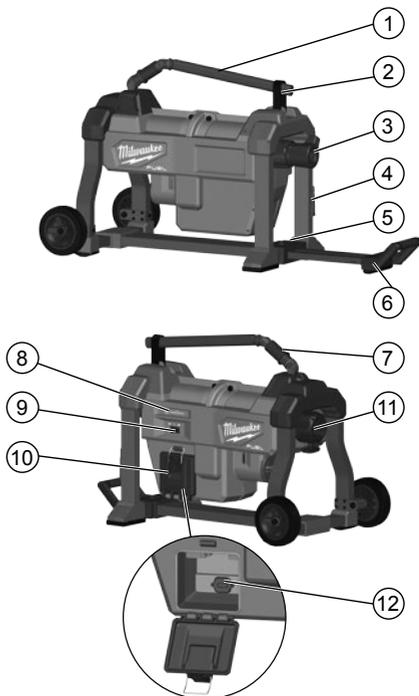
Η δεδομένη σ' αυτό το πληροφοριακό δελτίο τιμή εκπομπής θορύβου έχει υπολογιστεί σύμφωνα με μια τυποποιημένη στο πρότυπο EN 62841 διαδικασία δοκιμής και μπορεί να χρησιμοποιείται για τη σύγκριση εργαλείων. Αυτή ενδεικνύεται επίσης και για μια προσωρινή εκτίμηση της επιβάρυνσης. Η δεδομένη τιμή εκπομπής θορύβου αντιπροσωπεύει την κύρια εφαρμογή του εργαλείου. Οσοδήποτε μπορεί να διαφέρει η τιμή εκπομπής θορύβου, όταν το εργαλείο χρησιμοποιείται για άλλες εφαρμογές ή με διαφορετικά εξαρτήματα ή δεν συντηρείται επαρκώς. Αυτό μπορεί να αυξήσει την επιβάρυνση καθ' όλη τη διάρκεια της εργασίας σημαντικά.

Για μια ακριβή εκτίμηση της ηχητικής επιβάρυνσης θα πρέπει να λαμβάνονται υπόψη και τα χρονικά διαστήματα, κατά τα οποία είναι το εργαλείο απενεργοποιημένο ή να μην λειτουργεί, αλλά δεν είναι πραγματικά σε χρήση. Αυτό μπορεί να μειώσει την επιβάρυνση καθ' όλη τη διάρκεια της εργασίας σημαντικά.

Για την προστασία του χειριστή από την επίδραση του θορύβου καθορίστε επιπρόσθετα μέτρα ασφαλείας, όπως για παράδειγμα: συντήρηση του εργαλείου και των προσαρτώμενων εξαρτημάτων και οργάνωση των διαδικασιών διεξαγωγής των εργασιών.

Φοράτε ωτασπίδες. Η επίδραση του θορύβου μπορεί να προκαλέσει απώλεια ακοής.

⚠ ΠΡΟΕΙΔΟΠΟΙΗΣΗ! Διαβάστε όλες τις υποδείξεις ασφαλείας, τις οδηγίες, τις εικόνες και τα δεδομένα, τα οποία θα λάβετε μαζί με το μηχανήμα. Η μη τήρηση των οδηγιών που ακολουθούν, μπορεί να οδηγήσει σε ηλεκτροπληξία, φωτιά και/ή σε σοβαρούς τραυματισμούς. **Φυλάξτε όλες τις προειδοποιητικές υποδείξεις και οδηγίες για κάθε μελλοντική χρήση.**



Περιγραφή συσκευής

- 1 Μοχλοβραχίονας
- 2 Γάντζος μεταφοράς
- 3 Κολάρο πρόωσης
- 4 Γάντζος καλωδίου
- 5 Κουμπί απελευθέρωσης λαβής
- 6 Τηλεσκοπική λαβή
- 7 Κολάρο μοχλοβραχίονα
- 8 Ένδειξη ONE-KEY™
- 9 Εμπρόσθια κίνηση/ απενεργοποίηση/ αντίστροφη κίνηση
- 10 Θύρα μπαταρίας
- 11 Υποδοχή σύνδεσης πίσω λάστιχου καθοδήγησης
- 12 Θήκη συσσωρευτή ONE-KEY

ΥΠΟΔΕΙΞΕΙΣ ΑΣΦΑΛΕΙΑΣ ΓΙΑ ΤΟΝ ΚΑΘΑΡΙΣΜΟ ΣΩΛΗΝΩΝ

Όταν χειρίζεστε το εργαλείο, χρησιμοποιείτε πάντα το πίσω λάστιχο καθοδήγησης και διασφαλίζετε ότι η ατσάλινα δεν εκτείνεται πέρα από το πίσω λάστιχο καθοδήγησης. Αυτό αποτρέπει την ατσάλινα από το να κινηθεί μαστιγωτά, μια κατάσταση που μπορεί να καταλήξει σε εμπλοκή και τραυματισμούς.

Ο καθαριστής σωλήνων πρέπει να χρησιμοποιείται μόνο για σωλήνες με το αναφερόμενο μέγεθος. Η χρήση ενός καθαριστή σωλήνων λαμβασμένου μεγέθους μπορεί να οδηγήσει σε στρέβλωση, λύγισμα ή θράυσση της σπείρας και τραυματισμούς.

Να πιάνετε την περιστρεφόμενη σπείρα μόνο με τα γάντια που συνιστώνται από τον κατασκευαστή. Λάτεις γάντια, φαρδιά γάντια ή πανιά θα μπορούσαν να περιτυλιχθούν στη σπείρα και να προκαλέσουν σοβαρούς τραυματισμούς.

Κατά τη διάρκεια της περιστροφής της σπείρας να βεβαιώνετε αν περιστρέφεται και η αιχμηρή μύτη σπείρας.

Διαφορετικά θα μπορούσε να υπερφορτωθεί η σπείρα και να περιστραφεί υπερβολικά, να λυγίσει ή να σπάσει, προκαλώντας σοβαρούς τραυματισμούς.

Σε περίπτωση που θα μπορούσαν να περιέχονται χημικές ουσίες, βακτήρια, μολυσματικοί παράγοντες ή άλλες τοξικές ουσίες στον προς καθαρισμό σωλήνα αποχέτευσης, τότε να χρησιμοποιείτε τα γάντια προστασίας από λάτεις ή τα ελαστικά γάντια που συνιστά ο κατασκευαστής, καθώς επίσης προστατευτικά γυαλιά, προστατευτικό κάλυμμα προσώπου, προστατευτικό ρουχισμό και μάσκα προστασίας της αναπνοής. Οι σωληναγωγοί πιθανόν να περιέχουν χημικές ουσίες, βακτήρια ή άλλες ουσίες που είναι τοξικές ή λοιμογόνες και θα μπορούσαν να προκαλέσουν εγκαύματα ή σοβαρούς τραυματισμούς.

Λαμβάνετε υπόψη σας τους υγειονομικούς κανόνες. Κατά τη διάρκεια της χρήσης του μηχανήματος μην τρώτε και μην καπνίζετε. Μετά την εργασία με μηχανήματα καθαρισμού σωλήνων ή τη χρήση τέτοιων μηχανημάτων πρέπει να πλένονται τα χέρια και τα λοιπά τμήματα του σώματος που έχουν έρθει σε επαφή με το περιεχόμενο του σωλήνα, με ζεστό νερό και σαπούνι. Έτσι αποτρέπονται οι κίνδυνοι για την υγεία που μπορεί να προκύψουν από την επαφή με τοξικές ή λοιμογόνες ουσίες.

Περαιτέρω οδηγίες ασφαλείας και χρήσεων

Κατά τη διάρκεια λειτουργίας του εργαλείου, κρατάτε την ατσάλινα με το χέρι φορώντας γάντια. Αυτό επιτρέπει τον καλύτερο έλεγχο της ατσάλινας και βοηθά στην αποτροπή συστολής, λυγίσματος ή ρήξης της ατσάλινας, δηλαδή καταστάσεων που μπορεί να οδηγήσουν σε σοβαρούς τραυματισμούς.

Να ελέγχετε τη σπείρα πριν τη χρήση για ίχνη φθοράς και ζημιές. Να ανταλλάσσετε φθαρμένες ή καταστραμμένες σπείρες πριν τη χρήση του καθαριστή σωλήνων.

Μην στρεβλώνετε, κάμπτετε ή λυγίζετε υπερβολικά τη σπείρα. Η θράυσση της σπείρας μπορεί να προκαλέσει σοβαρούς τραυματισμούς.

Να επιθεωρείτε τον προς καθαρισμό σωλήνα πριν τη χρήση του μηχανήματος. Εφόσον είναι δυνατόν, προσδιορίζετε το/τα σημείο/α εισαγωγής, τη διάμετρο και το μήκος του σωληναγωγού, καθώς επίσης την απόσταση από τους κεντρικούς αγωγούς, το είδος της έμφραξης και την ύπαρξη μέσων καθαρισμού σωλήνων ή άλλων χημικών ουσιών. Σε περίπτωση που υπάρχουν χημικές ουσίες στο σωλήνα αποχέτευσης, πρέπει να λαμβάνονται μέτρα ασφαλείας. Προς λήψη των αναγκαίων πληροφοριών να απευθύνεστε στον παραγωγό της χημικής ουσίας.

Μη χειρίζεστε το εργαλείο αυτό, εάν ο χρήστης ή το εργαλείο στέκονται σε νερό. Η λειτουργία του εργαλείου όσο αυτό βρίσκεται σε νερό αυξάνει τον κίνδυνο ηλεκτροπληξίας.

Εν ανάγκη καλύπτετε το χώρο εργασίας. Ο καθαρισμός σωλήνων αποχέτευσης είναι συχνά μια βρώμικη εργασία.

Να βεβαιώνετε αν είναι η σπείρα απόλυτα τυλιγμένη. Κατά την ενεργοποίηση αποτρέπεται έτσι η κίνηση της σπείρας σαν μαστίγιο.

Μην τοποθετείτε το εργαλείο καθαρισμού αποχέτευσης σε απόσταση μεγαλύτερη από 60 cm από το άνοιγμα της αποχέτευσης. Εάν το εργαλείο καθαρισμού αποχέτευσης δεν μπορεί να τοποθετηθεί σε απόσταση τουλάχιστον 60 cm από το άνοιγμα της αποχέτευσης, το άνοιγμα της αποχέτευσης θα χρειαστεί να επεκταθεί χρησιμοποιώντας αγωγούς και συνδέσμους ίδιας διαμέτρου. Σε περίπτωση μεγαλύτερης απόστασης δεν ελέγχεται επαρκώς η σπείρα και μπορεί να στρεβλώσει, να λυγίσει ή να σπάσει.

Η σπείρα και ο διακόπτης ενεργοποίησης/απενεργοποίησης πρέπει χειρίζονται από ένα άτομο. Εάν το εργαλείο σταματήσει την περιστροφή, ο χρήστης πρέπει να είναι σε θέση να απενεργοποιήσει το εργαλείο, ώστε να αποτρέψει συστοφή, τσαλάκωμα, σπάσιμο ή μαστιγωτή κίνηση της ατσάλινας.

Με εξαίρεση των περιπτώσεων που αναφέρονται σε αυτές τις οδηγίες, δεν επιτρέπεται να περιστρέφεται η σπείρα προς τα πίσω. Η λειτουργία του εργαλείου στην αντίστροφη κίνηση για παρατεταμένα χρονικά διαστήματα μπορεί να προκαλέσει ζημιά στην ατσάλινα και τα αξεσουάρ.

Να χρησιμοποιείτε πάντοτε την κοινή λογική και να είστε προσεκτικοί όταν χρησιμοποιείτε εργαλεία. Δεν είναι δυνατόν να προβλεφθεί κάθε κατάσταση που μπορεί να καταλήξει σε ένα επικίνδυνο αποτέλεσμα. Μη χρησιμοποιείτε αυτό το εργαλείο, αν δεν κατανοείτε αυτές τις οδηγίες λειτουργίας ή αισθανόσθε ότι η εργασία είναι πέρα από τις δυνατότητές σας. Επικοινωνήστε με την Milwaukee Tool ή έναν εκπαιδευμένο επαγγελματία για επιπλέον πληροφορίες ή εκπαίδευση.

Μην αφαιρείτε τις ετικέτες και τις πινακίδες τύπου. Αυτές οι πινακίδες περιέχουν σημαντικές πληροφορίες. Είναι αυτές οι ενδεικτικές πινακίδες δυσανάγνωστες ή απουσιάζουν, τότε να απευθύνεστε στο τμήμα εξυπηρέτησης πελατών της MILWAUKEE για μια ανέξοδη αντικατάσταση αυτών.

ΠΡΟΕΙΔΟΠΟΙΗΣΗ! Ορισμένες σκόνες που παράγονται από εργασίες με ηλεκτρικά τριβεία, πριόνια, γωνιακούς τροχούς, δράπανα και άλλες κατασκευαστικές δραστηριότητες περιέχουν χημικές ουσίες οι οποίες είναι γνωστές ότι προκαλούν καρκίνο, εκ γενετής παραμορφώσεις ή άλλες αναπαραγωγικές βλάβες. Μερικά παραδείγματα τέτοιων χημικών ουσιών είναι:

- μόλυβδος από βαφές με βάση το μόλυβδο

- κρυσταλλικό πυριτικό από τούβλα, σκυρόδεμα και άλλα προϊόντα τοιχοποιίας και
 - αρσενικό και χρώμιο από χημικά επεξεργασμένη ξυλεία.
- Ο κίνδυνος που διατρέχετε από αυτές τις εκθέσεις ποικίλει, ανάλογα με το πόσο συχνά εκτελείτε αυτού του είδους την εργασία.

Για να μειώσετε την έκθεσή σας σε αυτές τις χημικές ουσίες: να εργάζεστε σε έναν καλά αεριζόμενο χώρο και να εργάζεστε χρησιμοποιώντας εγκατερισμένο εξοπλισμό ασφαλείας, όπως μάσκες προστασίας από σκόνη που είναι ειδικά σχεδιασμένες για να συγκρατούν, μέσω φίλτρου, μικροσκοπικά σωματίδια.

Χρησιμοποιείτε προστατευτικό εξοπλισμό. Κατά την εργασία με τη μηχανή φοράτε πάντα προστατευτικά γυαλιά. Συνιστούμε επίσης προστατευτική ενδυμασία όπως επίσης μάσκα προστασίας αναπνοής, προστατευτικά γάντια, σταθερά και ασφαλή στην ολίσθηση υποδήματα, κράνος και ωτοασπίδες.

Η σκόνη που δημιουργείται κατά την εργασία είναι συχνά επιβλαβής για την υγεία και δεν επιτρέπεται να έλθει στο σώμα. Να φοράτε κατάλληλη μάσκα προστασίας από σκόνη.

Μην επεξεργάζεστε επικίνδυνα για την υγεία υλικά (π.χ. αμίαντος).

Σε περίπτωση μπλοκαρισματος της αρίδας απενεργοποιείτε αμέσως τη συσκευή! Μην ενεργοποιείτε εκ νέου τη συσκευή όσο η αρίδα είναι μπλοκαρισμένη. Σ' αυτή τη περίπτωση θα μπορούσε να προκύψει υψηλή ροπή αντίδρασης. Βρείτε την αιτία του μπλοκαρισματος της αρίδας και ξεμπλοκάρετέ την λαμβάνοντας υπόψη τις οδηγίες ασφαλείας.

Πριν από κάθε εργασία στη μηχανή αφαιρείτε την ανταλλακτική μπαταρία.

Μην πετάτε τις μεταχειρισμένες ανταλλακτικές μπαταρίες στη φωτιά ή στα οικιακά απορρίμματα. Η Milwaukee προσφέρει μια απόσυρση των παλιών ανταλλακτικών μπαταριών σύμφωνα με τους κανόνες προστασίας του περιβάλλοντος, ρωτήστε παρακαλώ σχετικά στο ειδικό κατάστημα πώλησης.

Μην αποθηκεύετε τις ανταλλακτικές μπαταρίες μαζί με μεταλλικά αντικείμενα (κίνδυνος βραχυκυκλώματος).

Όταν υπάρχει υπερβολική καταπόνηση ή υψηλή θερμοκρασία μπορεί να τρέξει υγρό μπαταρίας από τις χαλασμένες επαναφορτιζόμενες μπαταρίες. Αν έρθετε σε επαφή με υγρό μπαταρίας να πλυθείτε αμέσως με νερό και σαπούνι. Σε περίπτωση επαφής με τα μάτια να πλυθείτε σχολαστικά για τουλάχιστον 10 λεπτά και να αναζητήσετε αμέσως ένα γιατρό.

Για να αποτρέπεται τον κίνδυνο πυρκαγιάς λόγω βραχυκυκλώματος, τραυματισμούς ή ζημιές του προϊόντος, να μη βυθίζετε το εργαλείο, τον ανταλλακτικό συσσωρευτή ή τη συσκευή φόρτισης σε υγρά και να φροντίζετε, ώστε να μη διεισδύουν υγρά στις συσκευές και τους συσσωρευτές. Διαβρωτικές ή αγώγιμες υγρές ουσίες, όπως αλάτονερο, ορισμένες χημικές ουσίες και λευκαντικά ή προϊόντα που περιέχουν λευκαντικά, μπορεί να προκαλέσουν βραχυκύκλωμα.

Φορτίζετε τις ανταλλακτικές μπαταρίες του συστήματος M18 μόνο με φορτιστές του συστήματος M18. Μην φορτίζετε μπαταρίες από άλλα συστήματα.

Μην ανοίγετε τις ανταλλακτικές μπαταρίες και τους φορτιστές και χρησιμοποιείτε για αποθήκευση μόνο στεγνούς χώρους. Προστατεύετε τις ανταλλακτικές μπαταρίες και τους φορτιστές από την υγρασία.

ΠΡΟΕΙΔΟΠΟΙΗΣΗ

 Αυτή η συσκευή περιέχει μία μπαταρία λιθίου τύπου κουμπόυ/κέρματος. Μία νέα ή χρησιμοποιημένη μπαταρία μπορεί να προκαλέσει σοβαρά εσωτερικά εγκαύματα και να οδηγήσει σε θάνατο σε μόλις 2 ώρες σε περίπτωση κατάποσης ή εισόδου στο σώμα. Στερεώνετε πάντα το καπάκι στη θήκη μπαταρίας. Εάν δεν κλείνει με ασφάλεια, σταματήστε τη συσκευή, αφαιρέστε την μπαταρία και κρατήστε την μακριά από παιδιά. Εάν

πιστεύετε ότι κάποιος έχει καταπιεί την μπαταρία ή ότι έχει εισέλθει με άλλο τρόπο στο σώμα, αναζητήστε άμεσα ιατρική φροντίδα.

ΧΡΗΣΗ ΣΥΜΦΩΝΑ ΜΕ ΤΟ ΣΚΟΠΟ ΠΡΟΟΡΙΣΜΟΥ

Το αποφρακτικό μηχανήμα τμηματικό σπινάλι είναι ένα μηχανήμα καθαρισμού αποχέτευσης, το οποίο χρησιμοποιείται για τον καθαρισμό δευτερευουσών αγωγών αποχέτευσης, όπως αυτοί που βρίσκονται σε κουζίνες, μπάνια και βοηθητικά δωμάτια.

ONE-KEY™

Προκειμένου να μάθετε περισσότερα για τη λειτουργικότητα ONE-KEY του εν λόγω εργαλείου, διαβάστε τον επισυναπτόμενο οδηγό γρήγορης εκκίνησης ή επισκεφτείτε τη σελίδα μας στο Διαδίκτυο <http://www.milwaukeeetool.com/one-key>.

Μπορείτε να κατεβάσετε την εφαρμογή ONE-KEY στο Smartphone σας από το App Store ή το Google Play. Το αποτέλεσμα δοκιμής εκκλήρωσης τις ελάχιστες απαιτήσεις μας κατά EN 301 489-1 / EN 30149-17. Και θα προσφέρουμε καθοδήγηση στον πελάτη σχετικά με τον τρόπο λειτουργίας σε μορφή εγχειριδίου χρήσης.

Ένδειξη ONE-KEY™	
Σταθερά μπλε	Η ασύρματη λειτουργία είναι ενεργή και έτοιμη για διαμόρφωση μέσω της εφαρμογής ONE-KEY™.
Αναβοσβήνει μπλε	Το εργαλείο επικοινωνεί ενεργά με την εφαρμογή ONE-KEY™.
Αναβοσβήνει κόκκινο	Το εργαλείο βρίσκεται σε κατάσταση κλειδώματος ασφαλείας και μπορεί να ξεκλειδωθεί από τον ιδιοκτήτη μέσω της εφαρμογής ONE-KEY™.

ΜΠΑΤΑΡΙΕΣ

Επαναφορτίζετε τις ανταλλακτικές μπαταρίες που δεν έχουν χρησιμοποιηθεί για μεγαλύτερο χρονικό διάστημα πριν τη χρήση. Μία θερμοκρασία πάνω από 50°C μειώνει την ισχύ της ανταλλακτικής μπαταρίας. Αποφύγετε τη θέρμανση για μεγαλύτερο χρονικό διάστημα από τον ήλιο ή τις συσκευές θέρμανσης.

Διατηρείτε τις επαφές σύνδεσης στο φορτιστή και στην ανταλλακτική μπαταρία καθαρές.

Για μια άριστη διάρκεια ζωής πρέπει μετά τη χρήση οι μπαταρίες να φορτιστούν πλήρως.

Για μια κατά το δυνατόν μεγάλη διάρκεια ζωής οι μπαταρίες μετά τη φόρτιση οφείλουν να αφαιρεθούν από το φορτιστή.

Για την αποθήκευση της μπαταρίας για διάστημα μεγαλύτερο των 30 ημερών: Αποθηκεύετε τη μπαταρία περ. στους 27°C σε στεγνό χώρο. Αποθηκεύετε τη μπαταρία περ. στο 30%-50% της κατάστασης φόρτισης. Κάθε 6 μήνες φορτίζετε εκ νέου τη μπαταρία.

ΜΕΤΑΦΟΡΑ ΤΩΝ ΜΠΑΤΑΡΙΩΝ ΙΟΝΤΩΝ ΛΙΘΙΟΥ

Οι μπαταρίες ιόντων λιθίου υπόκεινται στις απαιτήσεις των νομικών διατάξεων για την μεταφορά επικινδύνων εμπορευμάτων.

Η μεταφορά τέτοιων μπαταριών πρέπει να πραγματοποιείται τηρώντας τους τοπικούς, εθνικούς και διεθνείς κανονισμούς και τις αντίστοιχες διατάξεις.

Επιτρέπεται η μεταφορά τέτοιων μπαταριών στο δρόμο χωρίς περαιτέρω απαιτήσεις.

Η εμπόκη μεταφορά μπαταριών ιόντων λιθίου από εταιρείες μεταφορών υπόκειται στις απαιτήσεις των νομικών διατάξεων για την μεταφορά επικινδύνων εμπορευμάτων. Οι προετοιμασίες αποστολής και η μεταφορά πραγματοποιούνται αποκλειστικά από ειδικά εκπαιδευμένα πρόσωπα. Η συνολική διαδικασία συνοδεύεται από εξειδικευμένο προσωπικό.

Κατά τη μεταφορά μπαταριών ιόντων λιθίου πρέπει να προσέχετε τα εξής:

Φροντίστε τα σημεία επαφών να είναι προστατευμένα και μονωμένα ώστε να αποφευχθούν βραχυκυκλώματα. Προσέξτε το πακέτο μπαταριών να είναι σταθερό μέσα στη συσκευασία και να μη γλιστρά. Η μεταφορά μπαταριών που παρουσιάζουν φθορές ή διαρροές δεν επιτρέπεται. Για περισσότερες πληροφορίες απευθυνθείτε στην εταιρεία μεταφορών.

ΠΡΟΣΤΑΣΙΑ ΥΠΕΡΦΟΡΤΩΣΗΣ ΤΗΣ ΜΠΑΤΑΡΙΑΣ

Σε υπερφόρτωση της μπαταρίας από πολύ υψηλή κατανάλωση ρεύματος, π. χ. από ακραίες υψηλές ροπές περιστροφής, μπλοκάρισμα του τρυπανιού, δονείται το ηλεκτρικό εργαλείο για 5 δευτερόλεπτα, αναβοσβήνει η ένδειξη φόρτισης και το ηλεκτρικό εργαλείο απενεργοποιείται αυτόματα.

Για μια νέα ενεργοποίηση, αφήνετε ελεύθερο το διακόπτη και στη συνέχεια ενεργοποιείτε εκ νέου.

Κάτω από ακραίες καταπονήσεις θερμαίνεται πάρα πολύ η μπαταρία. Στην περίπτωση αυτή αναβοσβήνουν όλες οι λάμπες της ένδειξης φόρτισης μέχρι να έχει κρυώσει η μπαταρία. Μετά το σβήσιμο της ένδειξης φόρτισης μπορεί να συνεχιστεί η συνεργασία. Τοποθετείτε στη συνέχεια τη μπαταρία στη συσκευή φόρτισης για να τη φορτίσετε πάλι και να την ενεργοποιήσετε.

ΕΠΙΠΡΟΣΘΕΤΕΣ ΣΥΜΒΟΥΛΕΣ ΓΙΑ ΤΗ ΧΡΗΣΗ

Για την κανονική χρήση να ακολουθείτε τις απεικονίσεις. Καθοδηγήστε τη σπείρα στο σωλήνα με μια μικρή προς και πίσω κίνηση, μέχρι να καταλυθεί η έμφραξη.

ΥΠΟΔΕΙΞΗ: Σε περίπτωση μπλοκαρίσματος του μηχανήματος αφήνετε αμέσως το διακόπτη.

Ξεκόλλημα ενός μπλοκαρισμένου καθαριστή σωλήνων:

1. Θέστε τον διακόπτη εμπρόσθιας κίνησης/απενεργοποίησης/αντίστροφης κίνησης στη θέση αντίστροφης κίνησης και περιστρέψτε το κολάρο προώθησης στη θέση Περιδίνηση 0.
2. Τραβήξτε το εργαλείο μερικά εκατοστά προς τα πίσω, χρησιμοποιώντας την περιστροφή προς τα πίσω, για να ξεκολλήσει η σπείρα.
3. Διακόψτε τη λειτουργία του εργαλείου.
4. Αφού το εργαλείο ακινητοποιηθεί πλήρως, επαναφέρετε τον διακόπτη εμπρόσθιας κίνησης/απενεργοποίησης/αντίστροφης κίνησης στη θέση εμπρόσθιας κίνησης.

ΠΡΟΣΟΧΗ! Η διαρκή λειτουργία του εργαλείου στην περιστροφή προς τα πίσω μπορεί να οδηγήσει σε ζημιά της σπείρας και του εξαρτήματος.

Εάν είναι δύσκολο να περάσετε την ατσάλινα μέσα από ένα σιφόνι ή έναν άλλο σύνδεσμο, μπορείτε να χρησιμοποιήσετε τις παρακάτω μεθόδους ή έναν συνδυασμό των μεθόδων αυτών.

1. Οι απότομες ωθήσεις της ατσάλινας προς τα κάτω, τόσο με περιστροφή της ατσάλινας όσο και χωρίς περιστροφή της, μπορεί να βοηθήσουν την ατσάλινα να περάσει μέσα από ένα σιφόνι.
2. Έχοντας τον μοχλοβραχίονα απελευθερωμένο, η περιστροφή της ατσάλινας με το χέρι μπορεί να αλλάξει τον προσανατολισμό του κοπτικού εργαλείου επιτρέποντάς του να περάσει ευκολότερα μέσα από τον σύνδεσμο.
3. Αφήστε το εργαλείο καθαρισμού αγωγών αποχέτευσης για αρκετά δευτερόλεπτα να λειτουργήσει με τη φορά περιστροφής

„REV“ σε αντίστροφη κίνηση, ενώ ταυτόχρονα πιέζετε την ατσάλινα προς τα κάτω. Εκτελέστε αυτή την κίνηση μόνο για όσο χρειάζεται να περάσετε την ατσάλινα μέσα από το σιφόνι. Η κίνηση της ατσάλινας αντίστροφα μπορεί να προκαλέσει ζημιά στην ατσάλινα.

Εάν αυτές οι επιλογές δεν αποδειχθούν αποτελεσματικές, σκεφτείτε μήπως πρέπει να χρησιμοποιήσετε μια ατσάλινα μικρότερης διαμέτρου ή μια πιο εύκαμπτη ατσάλινα.

ΜΟΝΤΑΡΙΣΜΑ ΣΠΕΙΡΑΣ

Για το μοντάρισμα σπείρας να ακολουθείτε τις απεικονίσεις. ΠΡΟΕΙΔΟΠΟΙΗΣΗ! Η σπείρα βρίσκεται υπό πίεση και κατά το μοντάρισμα μπορεί να πετάγεται ξαφνικά προς τα έξω, πράγμα που θα μπορούσε να οδηγήσει σε τραυματισμούς. Να φοράτε προστατευτικά γυαλιά ή γυαλιά με πλευρική προστασία, για να κρατάτε τον κίνδυνο τραυματισμού κατά το δυνατόν σε χαμηλό επίπεδο.

Να φοράτε πάντα δερματίνα γάντια.

Διαβάστε τις οδηγίες χρήσεως. Χρησιμοποιείτε έναν κατάλληλο εξοπλισμό ασφαλείας.

Κατά τη χρήση του καθαριστή σωλήνων μπορεί να έρθετε σε επαφή με χημικές ουσίες, βακτήρια, και άλλες καυστικές, τοξικές ή μολυσματικές ουσίες.

Μετά τη χρήση καθαρίστε τα χέρια με ζεστό νερό και σαπούνι.

ΣΥΝΤΗΡΗΣΗ

Πριν από κάθε εργασία στη μηχανή αφαιρείτε την ανταλλακτική μπαταρία.

Σκουπίστε την ελεύθερη σπείρα με ένα πανί και σπρώξτε την πάλι στον κάδο.

Πριν την αποθήκευση του καθαριστή σωλήνων να βγάξετε τη σπείρα εξ ολοκλήρου. Καθαρίστε τη σπείρα και τυλίξτε την χαλαρά.

Χρησιμοποιείτε μόνο αξεσουάρ Milwaukee και ανταλλακτικά Milwaukee. Εξαρτήματα, που η αλλαγή τους δεν περιγράφεται, αντικαθίστανται σε μια τεχνική υποστήριξη της Milwaukee (βλέπε φυλλάδιο εγγύηση/ διευθύνσεις τεχνικής υποστήριξης).

Όταν χρειάζεται, μπορείτε να ζητήσετε ένα σχέδιο συναρμολόγησης της συσκευής, δίνοντας τον τύπο της μηχανής και αριθμό στην πινακίδα ισχύος, από το κέντρο σέρβις ή απευθείας από τη φέρμα Techtronic Industries GmbH, Max-Eyth-Straße 10, 71364 Winnenden, Germany.

ΔΗΛΩΣΗ ΠΙΣΤΟΤΗΤΑΣ ΕΚ

Δηλώνουμε με αποκλειστική μας ευθύνη, ότι το προϊόν που περιγράφεται στα «Τεχνικά Χαρακτηριστικά» συμμορφώνεται με όλες τις σχετικές διατάξεις των οδηγιών:

2011/65/ΕΕ (RoHS)

2006/42/ΕΚ

2014/30/ΕΕ

2014/53/ΕΥ

και έχουν εφαρμοστεί τα ακόλουθα εναρμονισμένα πρότυπα

EN 62841-1:2015

EN 62841-3-14:2017

EN 55014-1:2017+A11:2020

EN 55014-2:2015

EN 62479:2010

EN 300 328 V2.2.2

EN 301 489-1 V2.2.3

EN 301 489-17 V3.1.1

EN IEC 63000:2018



Winnenden. 2020-11-17

Alexander Krug / Managing Director

Εξουσιοδοτημένος να συντάξει τον τεχνικό φάκελο.

Techdronic Industries GmbH

Max-Eyth-Straße 10, 71364 Winnenden, Germany

ΣΥΜΒΟΛΑ



ΠΡΟΣΟΧΗ! ΠΡΟΕΙΔΟΠΟΙΗΣΗ! ΚΙΝΔΥΝΟΣ!



Παρακαλώ διαβάστε σχολαστικά τις οδηγίες χρήσης πριν από την έναρξη λειτουργίας.



Στις εργασίες με τη μηχανή φοράτε πάντοτε προστατευτικά γυαλιά.



Να φοράτε πάντα προστατευτικά γάντια – κατά προτίμηση από δέρμα!



Πριν από κάθε εργασία στη μηχανή αφαιρείτε την ανταλλακτική μπαταρία.



Εξαρτήματα - Δεν περιλαμβάνονται στα υλικά παράδοση, συνιστούμενη προσθήκη από το πρόγραμμα εξαρτημάτων.



Μην τεντώνετε υπερβολικά τις ατσάλινες.

Το υπερβολικό τέντωμα της ατσάλινας μπορεί να προκαλέσει συστροφή, λύγισμα ή ρήξη της ατσάλινας, με αποτέλεσμα σοβαρούς τραυματισμούς.



Επιλογή αυτόματης προώθησης/επιαναφοράς ενεργοποιημένη



Επιλογή αυτόματης προώθησης/επιαναφοράς απενεργοποιημένη



περιστροφή δεξιόστροφα (προώθηση)



περιστροφή αριστερόστροφα (επιαναφορά)



Ηλεκτρικά μηχανήματα, μπαταρίες/συσσωρευτές δεν επιτρέπεται να απορρίπτονται μαζί με τα οικιακά απορρίμματα. Ηλεκτρικά μηχανήματα και συσσωρευτές συλλέγονται ξεχωριστά και παραδίδονται προς ανακύκλωση με τρόπο φιλικό προς το περιβάλλον σε επιχείρηση επεξεργασίας απορριμμάτων. Ενημερωθείτε από τις τοπικές υπηρεσίες ή από ειδικευμένους εμπόρους σχετικά με κέντρα ανακύκλωσης και συλλογής απορριμμάτων.



Αυτή η συσκευή περιέχει μία μπαταρία λιθίου τύπου κουμπιού/κέρματος.

n₀

Αριθμός στροφών χωρίς φορτίο

V

Τάση



Συνεχές ρεύμα



Ευρωπαϊκό σήμα πιστότητας



Βρετανικό σήμα πιστότητας



Ουκρανικό σήμα πιστότητας

001



Ευρασιατικό σήμα πιστότητας

Teknik veriler	M18 FSSM
Dilimli Atkusu Makinesi	
Üretim numarası	4749 26 02... ... 000001-999999
Kartuş akü gerilimi	18 V ⁻⁻⁻
Boştaki devir sayısı n_0	0 - 700 min ⁻¹
Bluetooth frekans bandı (frekans bantları)	2402-2480 MHz
İletim gücü	1,8 dBm
Bluetooth sürümü	4,0 BT signal mode
Besleme / geri çekme hızı Maks.	31 cm/s
Kanal temizleyici kablo boyutu	ø 22 mm (7/8") & ø 32 mm (1 1/4")
Kanal temizleyici dilimli kablo uzunluğu	4,5 m
Kanal temizleyici azami kablo uzunluğu	60 m
Tavsiye Edilen Boru Çapı	ø 50 - 200 mm
Pilot Tüpü/Kılavuz Hortum uzunluğu	3500 mm
Pilot Tüpü/Kılavuz Hortum boyutu	ø 50 mm
Ağırlığı ise EPTA-üretici 01/2014'e göre (Li-Ion pil ile 12,0 Ah)	33,32 kg
Pil, Kanal Kablosu ve Kılavuz Hortum olmadan ağırlık	31,75 kg
Pil olmadan Kılavuz Hortum ile ağırlık	37,55 kg
Çalıştırılması için tavsiye edilen ortam sıcaklığı	-18°C ... +50°C
Tavsiye edilen güç paketleri	M18HB...; M18B...
Tavsiye edilen şarj aletleri	M12-18...; M1418C6
Gürültü bilgileri	
Ölçüm değerleri EN 62841 e göre belirlenmektedir. Aletin, frekansa bağımlı uluslararası ses basıncı seviyesi değerlendirme eğrisi A'ya göre tipik gürültü seviyesi:	
Ses basıncı seviyesi (Tolerans K=3dB(A))	69,21 dB (A)
Akustik kapasite seviyesi (Tolerans K=3dB(A))	80,21 dB (A)
Koruyucu kulaklık kullanın!	



Tür

UYARI

Bu bilgi broşüründe belirtilmiş olan ses emisyon değeri, EN 62841 standardında normlaştırılmış bir test yöntemine göre ölçülmüştür ve takımların birbirleriyle karşılaştırılması için kullanılabilir. Yükün geçici olarak tahmin edilmesine de uygundur.

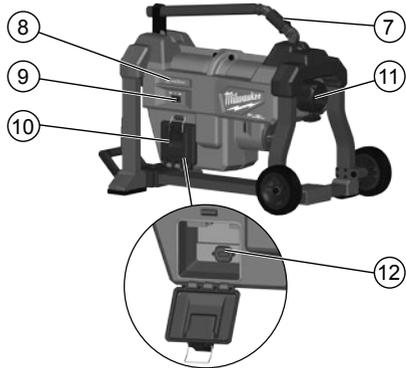
Belirtilen ses emisyon değeri takımın başlıca olarak uygulamasını temsil etmektedir. Ancak takım başka uygulamalar için veya farklı aksesuarlarla kullanıldığında veya bakımı yetersiz yapılırsa ses emisyon değeri farklı olabilir. Bu durum yükü bütün çalışma süresi için belirgin şekilde artırabilir.

Ses yükünün tam olarak tahmin edilmesi için, takımın kapalı olduğu veya açık olduğu, ancak takımla fiilen çalışmadığı sürelerin de göz önünde bulundurulması gerekmektedir. Bu durum yükü bütün çalışma süresi için belirgin şekilde artırabilir.

Kullanıcıyı ses etkisinden korumak için ek güvenlik tedbirleri belirleyiniz, örneğin: takımın ve aksesuarın bakımı ve iş süreçlerinin organizasyonu.

Koruyucu kulaklık kullanın. Gürültü etkisi işitme kaybını etkiler.

⚠ UYARI! Cihazla birlikte gelen tüm güvenlik uyarılarını, talimatları, çizimleri ve bilgileri okuyun. Aşağıdaki talimat hükümlerine uymadığınız takdirde elektrik çarpması, yangın veya ağır yaralanma tehlikesi ile karşılaşabilirsiniz. **Bütün uyarıları ve talimat hükümlerini ileride kullanmak üzere saklayın.**



Türkçe

Çihazın tanımı

- ① Manivela kolu
- ② Taşıma kancası
- ③ Besleme bileziği
- ④ Kablo kancası
- ⑤ Tutamak serbest bırakma düğmesi
- ⑥ Teleskopik tutamak
- ⑦ Manivela kolu bileziği
- ⑧ ONE-KEY™ göstereci
- ⑨ İleri/kapalı/geri
- ⑩ Pili kapığı
- ⑪ Arka kılavuz hortum bağlantısı
- ⑫ ONE-KEY pili kapısı

⚠️ BORU TEMİZLEME ALETLERİ İÇİN GÜVENLİK UYARILARI

Aleti çalıştırırken arka kılavuz hortumu kullanın ve kabloların arka kılavuz hortumunu ötesine uzanmadığından emin olun. Böylece kabloların dolanması ve fiziksel yaralanmalara neden olması önlenir.

Boru temizleme aleti sadece belirtilen boyuttaki borular için kullanılmalıdır. Yanlış boyuttaki bir boru temizleme aletinin kullanılması, spiralin burulmasına, bükülmesine veya kırılmasına ve ağır yaralanmalara neden olabilir.

Dönmekte olan spirale sadece üretici tarafından tavsiye edilen eldivenlerle dokunulur. Lateks veya bol gelen eldivenler veya bezler spiralin etrafına sarılabılır ve ağır yaralanmalara neden olabilir.

Spiral döndüğü sürece spiral ucunun takılmamasından emin olun. Aksi halde spirale aşırı yük biner ve aşırı burulabilir, bükülebilir veya kırılabilir. Bu ise ağır yaralanmalara neden olabilir.

Temizlenecek atık su borusunda kimyasal maddeler, bakteriler veya başka zehirli maddeler veya buluşucu mikrop bulunma ihtimali varsa, üretici tarafından tavsiye edilen eldivenlerden lateks veya kauçuktan olanları ve koruyucu gözlük, yüz maskesi, koruyucu giysi ve solunumu koruyucu maske kullanın. Atık su boruları, zehirli veya buluşucu olan ve ağır yanıklara veya başka ağır yaralanmalara neden olabilen kimyasal maddeler, bakteriler veya başka maddeler içerebilirler.

Hijyen kurallarına dikkat edin. Aleti kullandığınız sırada yemek yemeyin ve sigara içmeyin. Boru temizleme aletlerini kullandıktan veya bunlarla çalıştıktan sonra, borunun içindeki maddelerle temas etmiş olan ellerin ve diğer vücut kısımlarının her zaman sıcak su ve sabunla yıkanması gerekmektedir. Böylece zehirli veya enfeksiyonlara neden olabilen maddelerle temastan dolayı oluşan sağlık risklerini önlemiş olursunuz.

Ek güvenlik ve çalışma talimatları

Alet çalışırken kablolu eldiven giyerek tutun. Böylece kablolu daha iyi kontrol edilebilir ve kabloların ciddi fiziksel yaralanmalara neden olacak şekilde bükülmesini, kıvrılmasını veya kopmasını önlersiniz.

Kullanımdan önce spirali aşınma izleri ve hasarlar yönünden kontrol edin. Aşınmış veya hasarlı spirali boru temizleme aletini kullanmadan önce değiştirin.

Spirali burmayın, bükmeyin ve aşırı kıvrımayın. Spiralin kırılması ağır yaralanmalara neden olabilir.

Aleti kullandıktan önce temizlenecek boruyu kontrol edin. Mümkün olduğu kadar boru devresinin giriş noktasını (noktalarını), çapını ve uzunluğunu ve de ana hatlara olan mesafesini, tıkanıklığın türünü ve içinde boru temizleme maddelerinin veya başka kimyasalların bulunup bulunmadığını tespit edin. Atık su borusu içinde kimyasallar bulunuyorsa, gerekli güvenlik

önlemlerinin alınması gerekmektedir. Gerekli bilgileri alabilmek için kimyasalların üreticisine başvurun.

Kullanıcı veya alet su içinde dururken bu aleti çalıştırmayın. Su içindeyken aleti çalıştırılması elektrik çarpması riskini artırır.

Gerektiğinde çalışma alanının etrafını örtülerle kapatın. Atık su borularının temizliği oldukça fazla pislik oluşmasına neden olabilir.

Spiralin tamamıyla sarılımsız olmasından emin olun.

Böylece aletin çalıştırılması sırasında spiralin kırılma gibi vurmasını önlemektir.

Kanal temizleyiciyi kanal ağzından azami 60 cm uzağa yerleştirin. Kanal temizleyici kanal ağzından azami 60 cm uzağa yerleştirilmiyorsa, kanal ağzının benzer boyutta boru ve bağlantı parçalarıyla uzatılması gerekir. Mesafe daha fazla olursa, spiral sadece çok zor kontrol edilebilir ve burulabilir, bükülebilir veya kırılabilir.

Spiral ve açma/kapatma düğmesi tek bir şahıs tarafından kullanılmalıdır. Alet dönmeyi durdurursa, kullanıcının kabloların dolanmasını, bükülmesini, kıvrılmasını veya kopmasını önlemek için aleti kapatmalıyız durumda olması gerekir.

Bu kılavuzda belirtilen durumlara hariç, spiralin ters döndürülmesi yasaktır. Aleti uzun süre boyunca tersine çalıştırmak, kablolu ve aksesuarlara zarar verebilir.

Aletleri kullanırken daima sağduyulu davranın ve dikkatli olun. Tehlike doğurabilecek her durumu önceden tahmin etmek mümkün değildir. Bu işlemler talimatlarını anlamıyor veya işin sizin becerilerinizin ötesinde olduğunu hissediyorsanız, ilave bilgi ya da eğitim almak için Milwaukee Tool veya eğitimli bir uzmanla irtibata geçin.

Etiket ve model levhalarını yerlerinden sökmeyin. Bu levhalar üzerinde önemli bilgiler bulunmaktadır. Uyarı levhaları okunaksız bir duruma geldiye veya kaybolduysa, ücretsiz olarak yenilerini alabilmek için MILWAUKEE Müşteri Servisine başvurun.

UYARI! Elektrikli zımparalama, testereleme, taşıma, delme ve diğer yapı faaliyetlerinden kaynaklanan bazı tozlar kansere, doğum kusurlarına veya başka üreme bozukluklarına neden olduğu bilinen kimyasallar içerir. Bu kimyasallardan bazıları şunlardır:

- kurşun bızlı boyadan kaynaklanan kurşun
- tuğla, çimento ve diğer duvarcılık ürünlerinden kaynaklanan kristal silika ve
- kimyasal işlem görmüş keresteden kaynaklanan arsenik ve krom.

Bu malzemelere maruz kalmaktan ötürü oluşan risk, bu tür işleri ne sıklıkta yaptığınıza bağlı olarak değişir.

Bu kimyasallara daha az maruz kalmak için, iyi havalandırılmış bir alanda ve mikroskobik parçacıkları filtrelemek için özel olarak tasarlanmış toz maskeleri gibi onaylı güvenlik ekipmanları kullanarak çalışın.

Koruma teçhizatı kullanın. Makinada çalışırken devamlı surette koruyucu gözlük takın. Koruyucu elbise ve tozlardan korunma maskesi, emiyet eldivenleri ve sağlam ve kaymaya mukavim ayakkabı giyin. Başlık ve kulaklık tavsiye edilir.

Çalışma sırasında ortaya çıkan toz genellikle sağlığa zararlıdır ve bedeninize temas etmemelidir. Uygun bir koruyucu toz maskesi kullanın

Sağlık tehlikelerine neden olan malzemelerin işlenmesi yasaktır (örn. asbest).

Uca yerleştirilen takımın bloke olması halinde lütfen cihazı hemen kapatın! Uca yerleştirilen takım bloke olduğu sürece cihazı tekrar çalıştırmayın; bu sırada yüksek reaksiyon momentine sahip bir geri tepme meydana gelebilir. Uca yerleştirilen takımın neden bloke olduğuna bakın ve bu durumu güvenlik uyarılarında dikkat ederek gidin.



Aletin kendinde bir çalışma yapmadan önce kartuş aküyü çıkarın. Kullanılmış kartuş aküleri ateşe veya ev çöplerine atmayın. Mil-waukee, kartuş akülerin çevreye zarar vermeyecek biçimde tasfiye edilmesine olanak sağlayan hizmet sunar; lütfen bu konuda yetkili satıcınızdan bilgi alın.

Kartuş aküleri metal parça veya eşyalarla birlikte saklamayın (kısa devre tehlikesi).

Aşırı zorlanma veya aşırı ısınma sonucu hasar gören kartuş akülerden batarya sıvısı dışarı akabilir. Batarya sıvısı ile temasa gelen yeri hemen bol su ve sabunla yıkayın. Batarya sıvısı gözünüze kaçacak olursa en azından 10 dakika yıkayın ve zaman geçirmeden bir hekime başvurun.

Bir kısa devreden kaynaklanan yangın, yaralanma veya ürün hasarları tehlikesini önlemek için aleti, güç paketini veya şarj cihazını asla sıvıların içine daldırmayınız ve cihazların ve pillerin içine sıvı girmesini önleyiniz. Tuzlu su, belirli kimyasallar, ağartıcı madde veya ağartıcı madde içeren ürünler gibi korozyf veya iletken sıvılar kısa devreye neden olabilir.

M18 sistemli kartuş aküleri sadece M18 sistemli şarj cihazları ile şarj edin. Başka sistemli aküleri şarj etmeyin.

Kartuş aküleri ve şarj cihazını açmayın ve sadece kuru yerlerde saklayın. Neme ve ıslanmaya karşı koruyun.

UYARI

 Bu cihaz, düğme tipi/yassı lityum pil içerir. Yeni veya kullanılmış bir pil yutulursa ya da vücuda girerse, 2 saat gibi kısa bir sürede ciddi iç yanıklara ve ölüme neden olabilir. Kapağı pil bölümüne her zaman sabitleyin. Güvenli bir şekilde kapanmıyorsa, cihazı durdurun, pili çıkarın ve çocukların erişemeyeceği bir yerde saklayın. Birinin pili yuttuğundan veya pilin vücuda girdiğinden şüpheleniyorsanız, derhal tıbbi yardım isteyin.

KULLANIM

Dilimli Atıksu Makinesi mutfak, banyo, bakım ve temizlik odaları gibi yerlerde bulunan ikincil drenaj hatlarını temizlemek için kullanılan bir kanal temizleme makinesidir.

ONE-KEY™

ONE-KEY işlevi hakkında daha fazla bilgi edinmek için ekteki Hızlı Başlangıç Kılavuzunu okuyun ya da <http://www.milwaukeeool.com/one-key> internet adresimizi ziyaret edin.

ONE-KEY uygulamasını App Store ya da Google Play aracılığıyla akıllı telefonunuza indirebilirsiniz. Kontrol sonucu EN 301 489-1 / EN 301 489-17 standardına göre asgari taleplerimizi yerine getirmektedir. İşletim kılavuzunu kullanma kılavuzuyla birlikte müşteriye sunacağız.

ONE-KEY™ gösterge	
Sürekli Mavi	Kablosuz modu etkin ve ONE-KEY™ uygulaması aracılığıyla yapılandırılmaya hazır.
Yanıp Sönen Mavi	Alet ONE-KEY™ uygulamasıyla etkin bir şekilde iletişim kuruyor.
Yanıp Sönen Kırmızı	Alet güvenlik açısından kilitlenmiş ve kilit ONE-KEY™ uygulaması aracılığıyla aletin sahibi tarafından açılabilir.

AKÜ

Uzun süre kullanım dışı kalmış kartuş aküleri kullanmadan önce şarj edin.

50°C üzerindeki sıcaklıklar kartuş akünün performansını düşürür.

Akünün güneş ışığı veya mekân sıcaklığı altında uzun süre ısınmamasına dikkat edin.

Şarj cihazı ve kartuş aküdeki bağlantı kontaklarını temiz tutun.

Akünün ömrünün mükemmel bir şekilde uzun olması için kullandıktan sonra tamamen doldurulması gerekir.

Ömrünün mümkün olduğu kadar uzun olması için akülerin yüklemeye yapıldıktan sonra doldurma cihazından uzaklaştırılması gerekir.

Akünün 30 günden daha fazla depolanması halinde: Aküyü takriben 27°C'de kuru olarak depolayın. Aküyü yükleme durumunun takriben % 30 - %50 olarak depolayın. Aküyü her 6 ay yenisiyle değiştirin.

LİTYUM İYON PİLLERİN TAŞINMASI

Lityum iyon piller tehlikeli madde taşımacılığı hakkındaki yasal hükümler tabidir.

Bu piller, bölgesel, ulusal ve uluslararası yönetmeliklere ve hükümlere uyularak taşınmalıdır.

Tüketiciler bu pilleri herhangi bir özel aranmaksızın karayoluyla taşıyabilirler.

Lityum iyon pillerin nakliye şirketleri tarafından ticari taşımacılığı için tehlikeli madde taşımacılığının hükümleri geçerlidir. Sevk hazırlığı ve taşıma sadece ilgili eğitimi görmüş personel tarafından gerçekleştirilebilir. Bütün süre uzmanca bir refakatçilik altında gerçekleştirilmelidir.

Pillerin taşınması sırasında aşağıdaki hususlara dikkat edilmesi gerekmektedir:

Kısa devre oluşmasını önlemek için kontakların korunmuş ve izole edilmiş olması sağlanmalıdır. Pil paketinin ambalajı içinde kaymamasına dikkat ediniz. Hasarlı veya akmış pillerin taşınması yasaktır. Ayrıca bilgiler için nakliye şirketinize başvurunuz.

AKÜNÜN AŞIRI YÜKLENMEYE KARŞI KORUNMASI

Pek fazla elektrik tüketiminden dolayı, örneğin aşırı fazla devir momentleri, aniden durma veya kısa devre gibi aküye aşırı yüklenme durumunda elektro cihazı 5 saniye titreşir, yüklemeye göstergesi yanıp söner ve elektro cihaz kendiliğinden durur. Yeniden çalıştırmak için şalter basısını serbest bırakın ve bundan sonra tekrar çalıştırın.

Akü aşırı yüklenmeden dolayı fazla ısınır. Bu durumda akü soğuyana kadar yüklemeye göstergesinin bütün lambaları yanıp söner. Gösterge lambalarının sönmelerinden sonra tekrar çalışmaya devam edilebilir.

Aküyü tekrar doldurmak ve aktif hale getirmek amacıyla ile şarja bağlayın.

KULLANIMI İÇİN EK ÖNERİLER

Normal kullanım için burada bulunan şekillere dikkat edin.

Spiralli hafifçe ileri ve geri hareket ettirerek, tıkanıklık giderilene kadar borunun içine sürün.

UYARI: Alet bloke olduğunda, şalteri hemen bırakın.

Bloke olan bir boru temizleme aletinin açılması:

- İleri/kapalı/geri anahtarını ters konumuna getirin ve besleme bileziğini Devir 0'a getirin.
- Spiralli kırtarmak için aleti geri dönme yönünde birkaç santim geri çekin.
- Aleti durdurun.
- Alet tamamen durduktan sonra, ileri/kapalı/geri anahtarını yeniden ileri konumuna getirin.

DİKKAT! Aletin sürekli olarak geri dönme yönünde çalıştırılması, spiralin ve aksesuarın hasar görmesine neden olabilir.

Kabloyu bir engel veya başka bir bağlantı parçasından kurtarmak zorsa, şu yöntem veya yöntem kombinasyonları kullanılabilir.

1. Kabloyu döndürerek veya döndürmeden sertçe aşağıda doğru itmek, kablunun bir engelden kurtulmasına yardımcı olur.
2. Manivela kolunu serbest bırakarak kabloyu elle çevirmek, kesicinin yönünü değiştirerek bağlantı parçasını daha kolay aşmasını sağlar.
3. Kabloyu aşağıya doğru bastırarak kanal temizleyiciyi GERİ yönünde birkaç saniye boyunca çalıştırın. Bunu sadece kablo engelden aşana kadar yapın. Kabloyu ters yönde çalıştırmak kabloya zarar verebilir.

Bu seçenekler işe yaramazsa, daha küçük çapta veya daha esnek bir kablo kullanın.

SPİRALİN MONTE EDİLMESİ

Spiralin montajına ait şekillere dikkat edin.

UYARI! Spiral basınç altındadır ve montaj sırasında aniden ileri doğru fırlayabilir. Bundan dolayı yaralanmalara neden olabilir. Yaralanma riskini mümkün olduğu kadar düşük tutmak için koruyucu bir gözlük veya yan siperleri olan bir gözlük kullanın.

Her zaman deri eldiven giyin.

Kullanma kılavuzunu okuyunuz. Uygun koruyucu donanım kullanınız.

Boru temizleme aletini kullanırken kimyasal, bakteri veya başka aşındırıcı, zehirli veya enfeksiyonlara neden olan maddelerle temas etmemiz mümkündür.

Kullanımdan sonra elleri sıcak su ve sabunla yıkayınız.

BAKIM

Aletin kendinde bir çalışma yapmadan önce kartuş aküyü çıkarın.

Açıktaki spirali bir bezle silin ve tekrar tambur içine itin.

Boru temizleme aletini kullanmadığınız zamanlarda muhafaza etmek için spirali tamamıyla açın. Spirali temizleyin ve sıkı olmayacak şekilde sarın.

Sadece Milwaukee aksesuarı ve yedek parçası kullanın. Nasıl değiştirileceği açıklanmamış olan yapı parçalarını bir Milwaukee müşteri servisinde değiştirin (Garanti ve servis adresi broşürüne dikkat edin).

Gerektiği takdirde aletin günlük görünüş şeması, alet tipinin ve tip etiketi üzerindeki sayının bildirilmesi koşuluyla müşteri servisinden veya doğrudan Techtronic Industries GmbH, Max-Eyth-Straße 10, 71364 Winnenden, Germany adresinden istenebilir.

CE UYGUNLUK BEYANI

"Teknik veriler" başlığı altında tanımlanan ürünün, sayılı direktiflerdeki tüm hükümleri:

2011/65/EU (RoHS)

2006/42/EC

2014/30/EU

2014/53/EU

uyumlaştırılmış standartları

EN 62841-1:2015

EN 62841-3-14:2017

EN 55014-1:2017+A11:2020

EN 55014-2:2015

EN 62479:2010

EN 300 328 V2.2.2

EN 301 489-1 V2.2.3

EN 301 489-17 V3.1.1

EN IEC 63000:2018



Winnenden. 2020-11-17

Alexander Krug / Managing Director

Teknik evrakları hazırlamakla görevlendirilmiştir.

Techtronic Industries GmbH

Max-Eyth-Straße 10, 71364 Winnenden, Germany

SEMBOLLER



DİKKAT! UYARI! TEHLİKE!



Lütfen aleti çalıştırmadan önce kullanma kılavuzunu dikkatli biçimde okuyun.



Aletle çalışırken daima koruyucu gözlük kullanın.



Her zaman koruyucu eldiven giyin - deriden olanları tercih edin!



Aletin kendinde bir çalışma yapmadan önce kartuş aküyü çıkarın.



Aksesuar - Teslimat kapsamında değildir, önerilen tamamamlar aksesuar programında.



Kabloları fazla germeyin.

Fazla gerilmeleri kabloların ciddi yaralanmalara neden olacak şekilde bükülmesine, kıvrılmasına veya kopmasına neden olabilir.



Otomatik besleme / geri çekme seçimi açık



Otomatik besleme / geri çekme seçimi kapalı



saat yönünde devir (ileri)



saatin tersi yönde devir (geri)



Elektrikli cihazların, pillerin/akülerin evsel atıklarla birlikte bertaraf edilmesi yasaktır. Elektrikli cihazlar ve aküler ayrılarak biriktirilmeli ve çevreye zarar vermeden bertaraf edilmeleri için bir atık değerlendirme tesisine götürülmelidirler. Yerel makamlara veya satıcınıza geri dönüşüm tesisleri ve atık toplama merkezlerinin yerlerini danışınız.



Bu cihaz, düğme tipi/yassı lityum pil içerir.

n₀ Boştaki devir sayısı

V Voltaj

 Doğru akım



Avrupa uyumluluk işareti



Britanya uyumluluk işareti



Ukrayna uyumluluk işareti



Avrasya uyumluluk işareti

Technická data Sekční stroj na čištění kanalizace	M18 FSSM
Výrobní číslo	4749 26 02... ... 000001-999999
Napětí výměnného akumulátoru	18 V \equiv
Volnoběžné otáčky n_0	0 - 700 min ⁻¹
Frekvenční pásmo (frekvenční pásma) Bluetooth	2402-2480 MHz
Radiofrekvenční výkon	1,8 dBm
Verze Bluetooth	4,0 BT signal mode
Rychlost posuvu / zpětného tahu max.	31 cm/s
Velikost kabelu čističe drenáže	ø 22 mm (7/8") & ø 32 mm (1 1/4")
Délka sekčního kabelu čističe drenáže	4,5 m
Délka kabelu čističe drenáže max.	60 m
Doporučený průměr potrubí	ø 50 - 200 mm
Délka kontrolního potrubí / vodící hadice	3500 mm
Velikost kontrolního potrubí / vodící hadice	ø 50 mm
Hmotnost podle prováděcího předpisu EPTA 01/2014 (s Li-Ion baterií 12,0 Ah)	33,32 kg
Hmotnost bez baterie, kabelu drenáže a vodící hadice.	31,75 kg
Hmotnost bez baterie, ale s vodící hadicí	37,55 kg
Doporučená teplota okolí pro provoz	-18°C ... +50°C
Doporučené akupaky	M18HB...; M18B...
Doporučené nabíječky	M12-18...; M1418C6
Informace o hluku Naměřené hodnoty odpovídají EN 62841. V třídě A posuzovaná hladina hluku přístroje činí typicky: Hladina akustického tlaku (Kolísavost K=3dB(A)) Hladina akustického výkonu (Kolísavost K=3dB(A))	69,21 dB (A) 80,21 dB (A)
Používejte chrániče sluchu!	



VAROVÁNÍ

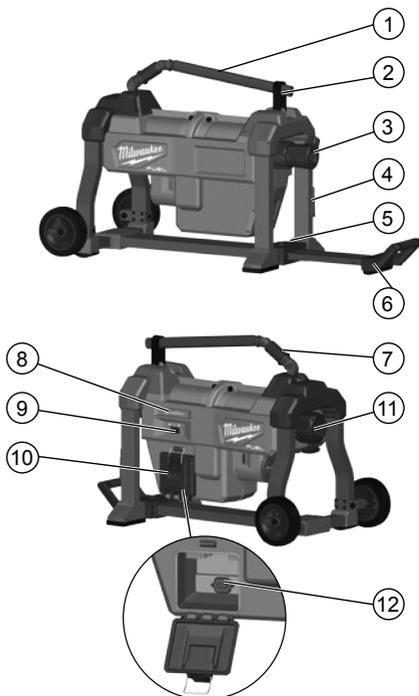
Hodnota emise hluku uvedená v tomto katalogovém listu byla změřena podle testovací metody normované v EN 62841 a může se použít pro vzájemné porovnání přístrojů. Hodí se také pro předběžný odhad zatížení.

Uvedená hodnota emise hluku reprezentuje hlavní aplikace přístroje. Když se však přístroj použije pro jiné aplikace nebo se použije s odlišným příslušenstvím nebo se na něm vykonává nedostatečná údržba, hodnota emise hluku se může odlišovat. To může zřetelně zvýšit zatížení během celé pracovní doby. Pro přesnější odhad zatížení hlukem by se měly zohlednit také časy, během kterých je nástroj vypnutý nebo během kterých sice běží, ale skutečně se nepoužívá. To může zřetelně snížit zatížení během celé pracovní doby.

Stanovte dodatečná bezpečnostní opatření na ochranu obsluhy před působením hluku, jako například: údržba přístroje a příslušenství a organizace pracovních postupů.

Používejte chrániče sluchu. Nadměrný hluk může vést ke ztrátě sluchu.

⚠ VAROVÁNÍ! Přečtěte si všechny bezpečnostní pokyny, instrukce, popisy a údaje, které obdržíte s přístrojem. Pokud následující pokyny nedodržíte, může to vést k úderu elektrickým proudem, požáru nebo těžkým poraněním. **Všechna varovná upozornění a pokyny do budoucna uschovejte.**



Popis zařízení

- | | |
|-----------------------------------|------------------------------|
| ① Rameno páky | ⑦ Kroužek ramene páky |
| ② Hák na nošení | ⑧ ONE-KEY™ indikátor |
| ③ Podávací kroužek | ⑨ Dopředu/Vypnout/Dozadu |
| ④ Kabelový hák | ⑩ Dvířka baterie |
| ⑤ Manipulační uvolňovací tlačítko | ⑪ Spojka zadní vodící hadice |
| ⑥ Teleskopická rukojeť | ⑫ Dvířka baterie ONE-KEY |

⚠ BEZPEČNOSTNÍ POKYNY PRO ČISTIČKU POTRUBÍ

Během práce s nástrojem vždy používejte zadní vodící hadici a ujistěte se, že kabel nepřesahuje za zadní vodící hadici. Zabrání to sřehání kabelu, což by mohlo vést k zamořání a zranění osob.

Čistička potrubí se smí použít jen pro trubky uvedených velikostí. Použití čističky potrubí nesprávné velikosti může vést k přetočení, prasknutí nebo zlomení spirály a způsobit zranění.

Točící se spirály se dotýkejte jen v rukavicích doporučených výrobcem. Latexové nebo volné rukavice nebo látka se může namotat okolo spirály a způsobit zranění.

Zajistěte, aby se hrot spirály nezasekl, dokud se spirála otáčí v opačném případě se může spirála přetížít a přilísit se přetočit, prasknout nebo zlomit, což může vést k těžkým zraněním.

Pokud by odtoková trubka, která se má čistit, mohla obsahovat chemikálie, bakterie nebo jiné toxické látky nebo původce nákazy, použijte ochranné rukavice a ochranné rukavice, ochranu obličeje, ochranný oděv a ochrannou dýchací masku. Potrubí může obsahovat chemikálie, bakterie nebo jiné látky, které jsou toxické nebo infekční a mohou vyvolat poleptání nebo jiná závažná poranění.

Respektujte hygienické předpisy. Během používání přístroje nejzete a nekuríte. Po manipulaci nebo po použití přístrojů na čištění potrubí je nutné si ruce a ostatní části těla, které se dostaly do kontaktu s obsahem potrubí, vždy umýt teplou vodou a mýdlem. Tak zabráníte vzniku zdravotních rizik na základě kontaktu s toxickými nebo infekčními látkami.

Další bezpečnostní a pracovní pokyny

Kdykoli je nástroj v chodu, držte kabel rukou chráněnou rukavicí. Toto poskytuje lepší kontrolu nad kabelem a pomáhá předcházet zkroucení, zalomení nebo zlomení kabelu, což by mohlo mít za následek vážné zranění osob.

Před použitím spirály zkontrolujte, jestli na ní nejsou stopy opotřebení a poškození. Opotřeбенou nebo poškozenou spirálu před použitím čističky potrubí vyměňte.

Spirálu nepřetáčejte, nezalamujte ani nadměrně neohýbejte. Zlomení spirály může způsobit těžká zranění.

Před použitím přístroje si prohlédněte trubku, která se má čistit. Pokud je to možné, stanovte přístupový(é) body(y), průměr a délku potrubí a také vzdálenost od hlavního potrubí, druh upcání a přítomnost prostředků na čištění potrubí nebo jiné chemikálie. Pokud se v odtokové trubce nacházejí chemikálie, je nutné provést odvodňující bezpečnostní opatření. Obráťte se na výrobce chemikálie, abyste získali potřebné informace.

Nepoužívejte tento nástroj, pokud uživatel nebo nástroj stojí ve vodě. Provozování nástroje ve vodě zvyšuje riziko úrazu elektrickým proudem.

V případě potřeby zakryjte pracovní prostor. Čištění odtokových trubek může být špinavá záležitost.

Presvěťte se, že spirála je kompletně navinutá. Tímto způsobem zabráníte tomu, aby spirála udeřila po zapnutí přístroje jako bič.

Čistič drenáže umístěte do vzdálenosti nejvýše 60 cm od drenážního otvoru. Pokud se čistič drenáže nemůže umístit do dvou stop (cca 60 cm) od drenážního otvoru, drenážní otvor se musí zvětšit pomocí trubky a tvarovek podobné velikosti. Při větší vzdálenosti se dá spirála obtížně kontrolovat a může se přetočit, prasknout nebo zlomit.

Spirálu a spínač ZAP/VYP musí obsluhovat jedna a tatáž osoba. Pokud se nástroj přestane otáčet, musí být uživatel schopen nástroj vypnout, aby se zabránilo zkroucení, zalomení, zlomení nebo sřehání kabelu.

S výjimkou situací uvedených v tomto návodu se spirála nesmí otáčet směrem dozadu. Delší používání nástroje ve směru dozadu může způsobit poškození kabelu a příslušenství.

Vždy používejte zdravý rozum a buďte opatrní při používání nářadí. Není možné předvídat každou situaci, která by mohla vést k nebezpečným důsledkům. Nepoužívejte toto nářadí, pokud nerozumíte tomuto návodu k obsluze nebo pokud máte pocit, že práce je nad rámec Vašich schopností. Obráťte se na Milwaukee Tool nebo vyškolený profesionál pro další informace nebo školení.

Etikety a typové štítky neodstraňujte. Tyto štítky obsahují důležité informace. Pokud jsou tyto štítky s pokyny nečitelné nebo chybějící, obraťte se na servisní centrum pro zákazníky spol. MILWAUKEE, abyste bezplatně získali jejich náhradu.

VAROVÁNÍ! Některý prach vytvořený silovým broušením, řezáním, broušením, vrtáním a jinými stavebními činnostmi obsahuje chemikálie, o kterých je známo, že způsobují rakovinu, vrozené vady nebo jiné reprodukční chyby. Některé příklady těchto chemikálií jsou:

- olovo z naterů na bázi olova
- krystalický křemen z cihel a cementu a jiných zdících výrobků a
- arsen a chrom z chemicky ošetřovaného řeziva.

Vaše riziko z těchto expozic se liší v závislosti na tom, jak často děláte tento typ práce.

Pro snížení Vaší expozice těmto chemikáliím: pracujte v dobře větraném prostoru a pracujte se schváleným bezpečnostním vybavením, jako jsou masky na ochranu proti prachu, které jsou speciálně určeny k filtrování mikroskopických částic.

Použijte ochranné vybavení. Při práci s elektrickým nářadím používejte vždy ochranné brýle. Doporučujeme rovněž použití součástí ochranného oděvu a ochranné obuvi, jako protiprašné masky, ochranných rukavic, pevné a neklouzající obuvi, ochranné přilby a ochrany sluchu.

Prach vznikající při práci s tímto nářadím může být zdraví škodlivý. Proto by neměl přijít do styku s tělem. Používejte při práci vhodnou ochranu masku.

Nesmějí se opracovávat materiály, které mohou způsobit ohrožení zdraví (např. azbest)

Při zablokování nasazeného nástroje přístroj okamžitě vypněte! Přístroj nezapínajte, pokud je nasazený nástroj zablokovaný; mohl by při tom vzniknout zpětný náraz s vysokým reakčním momentem. Zjistěte příčinu zablokování nasazeného nástroje a odstraňte ji při dodržení bezpečnostních pokynů.

Před zahájením veškerých prací na vrtacím šroubováku vyjmout výměnný akumulátor.

Použité nevyhazujte do domovního odpadu nebo do ohně. Milwaukee nabízí ekologickou likvidaci starých článků, ptejte se u vašeho obchodníka s nářadím.

Náhradní akumulátor neskladujte s kovovými předměty, nebezpečí zkrat.

Při extrémní zátěži či vysoké teplotě může z akumulátoru vytekat kapalina. Při zasažení touto kapalinou okamžitě zasažená místa omyjte vodou a mýdlem. Při zasažení očí okamžitě důkladně po dobu alespoň 10min. omývat a neodkladně vyhledat lékaře.

Abyste zabránili nebezpečí požáru způsobeného zkratem, poraněním nebo poškozením výrobku, neponořujte nářadí, výměnnou baterii nebo nabíječku do kapaliny a zajistěte, aby do zařízení a akumulátorů nevnikly žádné tekutiny. Korodující nebo vodivé kapaliny, jako je slaná voda, určité chemikálie a bělicí prostředky nebo výrobky, které obsahují bělidlo, mohou způsobit zkrat.

Akumulátor systému M18 nabíjejte pouze nabíječkou systému M18. Nenabíjejte akumulátory jiných systémů.

Náhradní akumulátory ani nabíječku neotvírejte, skladujte je v suchu, chráňte před vlhkem.

VAROVÁNÍ

 Toto zařízení obsahuje knoflíkovou/mincovou lithiovou baterii. Nová nebo použitá baterie může způsobit vážné vnitřní popáleniny a věst k usmrcení do 2 hodin, pokud je spolknuta nebo vstoupila do těla. Vždy zajistěte kryt prostoru pro baterie. Pokud se bezpečně neuzavře, zařízení zastavte, vyjměte baterii a držte ji mimo dosah dětí. Pokud si myslíte, že někdo spolkl baterii nebo jinak vstoupila do těla, okamžitě vyhledejte lékařskou pomoc.

OBLAST VYUŽITÍ

Sekání stroj na čištění kanalizace je zařízení na čištění drenáže, které se používá k čištění sekundárních drenážních potrubí, které se nacházejí v kuchyních, koupelnách a technických místnostech.

ONE-KEY™

Abyste se dozvěděli víc o funkci ONE-KEY tohoto nástroje, přečtěte si příložený návod pro rychlé zahájení práce nebo nás navštivte na internetu na <http://www.milwaukeeetool.com/one-key>

Aplikaci ONE-KEY si můžete stáhnout na Vaš smartphone z App Store nebo Google Play. Výsledek zkoušky splňuje naše minimální požadavky v souladu s normami EN 301 489-1 / EN 301 489-17. A zákaznickovi dáme provozní pokyny v uživatelské příručce.

ONE-KEY™ indikátor	
Stálá modrá	Bezdrátový režim je aktivní a připraven na konfiguraci pomocí aplikace ONE-KEY™.
Blikající modrá	Nástroj aktivně komunikuje s aplikací ONE-KEY™.
Blikající červená	Nástroje jsou v bezpečnostním zámku a majitel je může odemknout pomocí aplikace ONE-KEY™.

AKUMULÁTORY

Děle nepoužívané akumulátory je nutné před použitím znovu nabít.

Teplota přes 50°C snižuje výkon akumulátoru. Chraňte před dlouhým přehříváním na slunci či u topení.

Kontakty nabíječky a akumulátoru udržujte v čistotě.

Pro optimální životnost je nutné akumulátory po použití plně dobít. K zabezpečení dlouhé životnosti by se akumulátory měly po nabíti vyjmout z nabíječky.

Při skladování akumulátoru po dobu delší než 30 dní: Skladujte akumulátor v suchu při cca 27°C. Skladujte akumulátor při cca 30%-50% nabíjecí kapacitě. Opakujte nabíjení akumulátoru každých 6 měsíců.

PŘEPRAVA LITHIUM-IONTOVÝCH BATERIÍ

Lithium-iontové baterie spadají podle zákonných ustanovení pod přepravu nebezpečného nákladu.

Přeprava těchto baterií se musí realizovat s dodržováním lokálních, vnitrostátních a mezinárodních předpisů a ustanovení.

Spotřebitelé mohou tyto baterie bez problémů přepravovat po komunikacích.

Komerční přeprava lithium-iontových baterií prostřednictvím přepravních firem podléhá ustanovením o přepravě nebezpečného nákladu. Přípravu k vyexpedování a samotnou přepravu směji vykonávat jen příslušně vyškolené osoby. Na celý proces se musí odborně dohlížet.

Při přepravě baterií je třeba dodržovat následující:

Zajistěte, aby kontakty byly chráněné a izolované, aby se zamezilo zkratům. Dávejte pozor na to, aby se svazek baterií v rámci balení nemohl sesmeknout. Poškozené a vytekající baterie se nesmějí přepravovat. Ohledně dalších informací se obraťte na vaši přepravní firmu.

OCHRANA PROTI PŘETÍŽENÍ AKUMULÁTORU

Při přetížení akumulátoru přilíží vysokou spotřebou proudu, například při extrémně vysokém krotícím momentu, začne elektrické nářadí po dobu 5 sekund vibrovat, indikátor dobíjení začne blikat a motor se následně samočinně vypne.

K opětovnému zapnutí uvolníte a následně opět stisknete tlačítkový vypínač.

Při extrémním zatížení dochází k přilíží vysokému ohřevu akumulátoru. V tomto případě začnou blikat všechny kontroly indikátoru dobíjení a blikají tak dlouho, dokud se akumulátor opět neochladí. V okamžiku, kdy indikátor dobíjení přestane blikat, je možné v práci opět pokračovat.

Akumulátor v tomto případě k dobíjení a aktivaci vložte opět do nabíječky.

DOPLŇKOVÉ TIPY K POUŽITÍ.

Všimněte si obrázků znázorňujících běžné použití.

Spirálu zavádějte do potrubí lehkým pohybem směrem dopředu a směrem zpět tak dlouho, dokud se neodstraní úplně.

UPOZORNĚNÍ: Pokud je nástroj zablokovaný, okamžitě pusťte spínač.

Uvolnění zablokované čističky potrubí:

1. Otočte spínač dopředu / vypnout / dozadu do polohy dozadu a otočte podávací kroužek do polohy Točení 0.
2. Nástroj potáhněte dozadu několik centimetrů ve směru otáčení zpět, aby se spirála uvolnila.
3. Zastavte nástroj.
4. Po úplném zastavení nástroje přepněte spínač dopředu / vypnout / dozadu zpět do polohy dopředu.

POZOR! Neustálý provoz nástroje ve směru otáčení dozadu může vést k poškození spirály a příslušenství.

Pokud je obtížné dostat kabel přes zachycovač nebo jinou tvarovku, lze použít následující metody nebo kombinaci metod.

1. Prudké nárazy směrem dolů na kabelu, ať už s rotací kabelu nebo bez ní, mohou pomoci dostat kabel přes zachycovač.
2. S uvolněným ramenem páky může otáčení kabelu rukou změnit orientaci nože, aby se dalo snadněji vypořádat s tvarovkou.
3. Spusťte čisticí drenáž v rotaci REV na několik sekund a současně zatlačte na kabel. Udělejte to jen tak dlouho, abyste mohli kabel uvolnit přes zachycovač. Provozování kabelu směrem dozadu může kabel poškodit.

Pokud tyto možnosti nefungují, zvažte použití kabelu s menším průměrem nebo použití pružnějšího kabelu.



MONTÁŽ SPIRÁLY

Podívejte se na obrázky k montáži spirály.

UPOZORNĚNÍ! Spirála je pod tlakem a při montáži se může náhle zrychlit, což může vést ke zraněním. Noste ochranné brýle nebo brýle s boční ochranou, aby se riziko poranění snížilo co nejvíc.

Vždy noste kožené rukavice.

Přečtěte si návod k obsluze. Používejte vhodné ochranné pomůcky.

Při použití čističky potrubí můžete přijít do kontaktu s chemikáliemi, bakteriemi nebo jinými žíravými toxickými nebo infekčními látkami.

Po použití si ruce vyčistěte teplou vodou a mýdlem.

ÚDRŽBA

Před zahájením veškerých prací na vrtacím šroubováků vyjmout výměnný akumulátor.

Volně ležící spirálu utřete hadrem a znovu zasuňte do bubnu.

Před uskladněním čističky potrubí spirálu kompletně vytáhněte ven. Spirálu vyčistěte a volně naviňte.

Používat výhradně příslušenství Milwaukee a náhradní díly Milwaukee. Díly jejichž výměny nebyla popsána, nechť vyměnív autorizovaném servisu (viz „Záruky / Seznam servisních míst“)

Při potřebě podrobného rozkresu konstrukce, oslovte informaci o typu a čísle přímo servis a nebo výrobce, Techtronic Industries GmbH, Max-Eyth-Straße 10, 71364 Winnenden, Germany.

CE-PROHLÁŠENÍ O SHODĚ

Prohlašujeme na naši výhradní odpovědnost, že produkt popsán v části „Technické údaje“ splňuje všechna příslušná ustanovení směrníc:

2011/65/EU (RoHS)

2006/42/ES

2014/30/EU

2014/53/EU

a byly použity následující harmonizované normy

EN 62841-1:2015

EN 62841-3-14:2017

EN 55014-1:2017+A11:2020

EN 55014-2:2015

EN 62479:2010

EN 300 328 V2.2.2

EN 301 489-1 V2.2.3

EN 301 489-17 V3.1.1

EN IEC 63000:2018



Winnenden. 2020-11-17

Alexander Krug / Managing Director

Zplnomocněn k sestavování technických podkladů.

Techtronic Industries GmbH

Max-Eyth-Straße 10, 71364 Winnenden, Germany

SYMBOLY



POZOR! VAROVÁN! NEBEZPEČÍ!



Před spuštěním stroje si pečlivě přečtěte návod k používání.



Při práci se strojem neustále nosit ochranné brýle.



Vždy noste ochranné rukavice – přednostně rukavice z kůže!



Před zahájením veškerých prací na vrtacím šroubováků vyjmout výměnný akumulátor.



Příslušenství není součástí dodávky, viz program příslušenství.



Kabely tahově nenapínejte.

Tahově napínání kabelů může způsobit zkroutilení, zalomení nebo zlomení kabelu a mohlo by to mít za následek vážné zranění.



Automatický výběr posuvu / zpětného tahu zapnutý



Automatický výběr posuvu / zpětného tahu vypnutý



otáčení ve směru hodinových ručiček (dopředu)



otáčení v protisměru hodinových ručiček (dozadu)



Elektrická zařízení, baterie/akumulátory se nesmí likvidovat společně s odpadem z domácnosti. Elektrická zařízení, baterie/akumulátory je třeba sbírat odděleně a odevzdat je v recyklačním podniku na ekologickou likvidaci. Na místních úřadech nebo u vašeho specializovaného prodejce se informujte na recyklační podniky a sběrné dvory.



Toto zařízení obsahuje knoflíkovou/mincovou lithiovou baterii.

n₀

Volnoběžné otáčky

V

napětí



Stejnosměrný proud



Značka shody v Evropě



Značka shody v Británii



Značka shody na Ukrajině



Značka shody pro oblast Eurasie

Technické údaje	M18 FSSM
Sekčný kanalizačný stroj	
Výrobné číslo	4749 26 02... ... 000001-999999
Napätie výmenného akumulátora	18 V
Otáčky naprázdno n_0	0 - 700 min ⁻¹
Frekvenčné pásmo (frekvenčné pásma) Bluetooth	2402-2480 MHz
Vysokofrekvenčný výkon	1,8 dBm
Verzia Bluetooth	4,0 BT signal mode
Rýchlosť posuvu / spätného ťahu max.	31 cm/s
Veľkosť kábla čističa drenáže	ø 22 mm (7/8") & ø 32 mm (1 1/4")
Dĺžka sekčného kábla čističa drenáže	4,5 m
Dĺžka kábla čističa drenáže max.	60 m
Odporúčany priemer potrubia	ø 50 - 200 mm
Dĺžka kontrolného potrubia/vodiacej hadice	3500 mm
Veľkosť kontrolného potrubia/vodiacej hadice	ø 50 mm
Hmotnosť podľa vykonávacieho predpisu EPTA 01/2014 (s Li-Ion batériou 12,0 Ah)	33,32 kg
Hmotnosť bez batérie, kábla drenáže a vodiacej hadice.	31,75 kg
Hmotnosť bez batérie, ale s vodiacou hadicou	37,55 kg
Odporúčaná teplota okolia pre prevádzku	-18°C ... +50°C
Odporúčané akupaky	M18HB...; M18B...
Odporúčané nabíjačky	M12-18...; M1418C6
Informácia o hluku	
Namerané hodnoty určené v súlade s EN 62841. V triede A posudzovaná hladina hluku prístroja číni typicky:	
Hladina akustického tlaku (Kolísavosť K=3dB(A))	69,21 dB (A)
Hladina akustického výkonu (Kolísavosť K=3dB(A))	80,21 dB (A)
Používajte ochranu sluchu!	



POZOR

Hodnota emisie hluku uvedená v tomto katalógovom liste bola odmeraná podľa testovacej metódy normovanej v EN 62841 a môže sa použiť na vzájomné porovnanie prístrojov. G281 sa tiež na predbežný odhad zaťaženia.

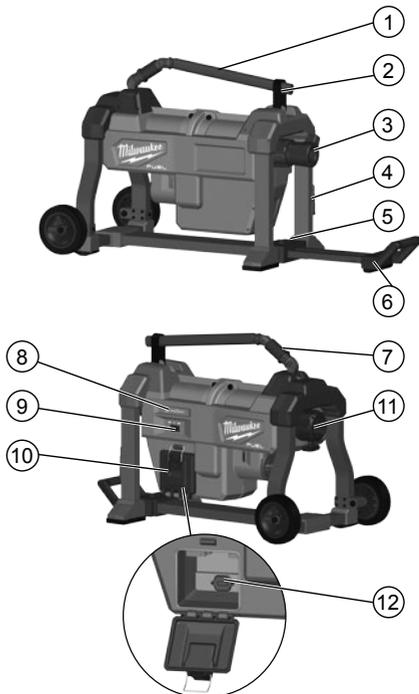
Uvedená hodnota emisie hluku reprezentuje hlavné aplikácie prístroja. Keď sa avšak použije prístroj na iné aplikácie alebo sa použije s odlišným príslušenstvom alebo sa na ňom vykonáva nedostatočná údržba, hodnota emisie hluku sa môže odlišovať. To môže zreteľne zvýšiť zaťaženie počas celej pracovnej doby.

Pre presnejší odhad zaťaženia hlukom by sa mali zohľadniť aj časy, v ktorých je nástroj vypnutý alebo v ktorých síce beží, ale nie je skutočne v nasadení. To môže zreteľne znížiť zaťaženie počas celej pracovnej doby.

Stanovte dodatočné bezpečnostné opatrenia na ochranu obsluhy pred pôsobením hluku, ako napríklad: údržba prístroja a príslušenstva a organizácia pracovných postupov.

Používajte ochranu sluchu. Nadmerný hluk môže viesť k strate sluchu.

⚠️ POZOR! Prečítajte si všetky bezpečnostné upozornenia, pokyny, vyobrazenia a údaje, ktoré dostanete spolu s prístrojom. Ak by ste nedodržali nasledujúce pokyny, mohlo by to mať za následok zásah elektrickým prúdom, vznik požiaru a/alebo vážne poranenie. **Tieto Výstražné upozornenia a bezpečnostné pokyny starostlivo uschovajte na budúce použitie.**



Opis zariadenia

- | | |
|------------------------------------|---------------------------------|
| ① Rameno páky | ⑧ ONE-KEY™ indikátor |
| ② Hák na nosenie | ⑨ Dopredu/Vypnúť/Dozadu |
| ③ Podávaci krúžok | ⑩ Krytka batérie |
| ④ Káblový hák | ⑪ Spojka zadnej vodiacej hadice |
| ⑤ Manipulačné uvoľňovacie tlačidlo | ⑫ Krytka batérie ONE-KEY |
| ⑥ Teleskopická rukoväť | |
| ⑦ Krúžok ramena páky | |

▲ BEZPEČNOSTNÉ POKYNY PRE ČISTIČKU POTRUBIA

Počas práce s nástrojom vždy používajte zadnú vodiacu hadicu a uistite sa, že kábel nepresahuje za zadnú vodiacu hadicu. Zabráni to sľahaniu kábla, čo by mohlo viesť k zamotaniu a zraneniu osôb.

Čistička potrubia sa smie použiť len pre rúry uvedených veľkostí. Použitie čističky potrubia nesprávnej veľkosti môže viesť k pretočeniu, prasknutiu alebo zlomeniu špirály a spôsobiť zranenia.

Točiacej sa špirály sa dotýkajte len v rukaviciach odporúčaných výrobcom. Latexové alebo voľné rukavice alebo látka sa môže namotať okolo špirály a spôsobiť zranenia.

Zabezpečte, aby sa hrot špirály nezasekol, kým sa špirála otáča. V opačnom prípade sa môže špirála preťažiť a prlíši sa pretočiť, prasknúť alebo zlomiť, čo môže viesť k ťažkým zraneniam.

Ak by odtoková rúra, ktorá má byť čistená, mohla obsahovať chemikálie, baktérie alebo iné toxické látky alebo pôvodcov nákazy, použite ochranné rukavice odporúčané výrobcom, latexové alebo gumené rukavice ako aj ochranné rukavice, ochranu tváre, ochranný odev a ochrannú dýchaciu masku. Potrubie môže obsahovať chemikálie, baktérie alebo iné látky, ktoré sú toxické alebo infekčné a môžu vyvolať poleptanie alebo iné závažné poranenia.

Rešpektujte hygienické predpisy. Počas používania prístroja nejedzte a nefajčite. Po manipulácii alebo po použití prístroju na čistenie potrubia si treba ruky a ostatné časti tela, ktoré sa dostali do kontaktu s obsahom potrubia, vždy umyť teplou vodou a mydlom. Tak zamedzíte vzniku zdravotných rizík na základe kontaktu s toxickými alebo infekčnými látkami.

Ďalšie bezpečnostné a pracovné pokyny

Vždy, keď je nástroj zapnutý, majte ruku, na ktorej máte rukavicu, na káblí. Toto poskytuje lepšiu kontrolu nad káblom a pomáha predchádzať skrúteniu, zalomeniu alebo zlomeniu kábla, čo by mohlo mať za následok vážne zranenie osôb.

Pred použitím špirálu skontrolujte, či na nej nie sú stopy opotrebenia a poškodenia. Opatrenú alebo poškodenú špirálu pred použitím čističky potrubia vymeňte.

Špirálu nepretáčajte, nezalamujte ani nadmerne neohýbajte. Zlomenie špirály môže spôsobiť ťažké zranenia.

Pred použitím prístroja si prezrite rúru, ktorá má byť čistená. Ak je to možné stanovte prístupový(é) bod(y), priemer a dĺžku potrubia ako aj vzdialenosť od hlavného potrubia, druh upchatia a prítomnosť prostriedkov na čistenie potrubia alebo iné chemikálie. Keď sa v odtokovej rúre nachádzajú chemikálie, treba zrealizovať adekvátne bezpečnostné opatrenia. Obráťte sa na výrobcu chemikálie, aby ste získali potrebné informácie.

Neprevádzkujte tento nástroj, ak používateľ alebo nástroj sa nachádzajú vo vode. Prevádzkovanie nástroja vo vode zvyšuje riziko úrazu elektrickým prúdom.

V prípade potreby zakryte pracovný priestor. Čistenie odtokových rúr môže byť špinavá záležitosť.

Ubezpečte sa, že špirála je kompletne navinutá. Tak pri zapnutí prístroja zamedzíte úderom špirály ako biča.

Čistič drenáže umiestnite do vzdialenosti najviac 60 cm od drenážneho otvoru. Ak sa čistič drenáže nemôže umiestniť do dvoch stôp od drenážneho otvoru, drenážny otvor sa musí zväčšiť pomocou rúrky a tvaroviek podobnej veľkosti. Pri väčšej vzdialenosti sa dá špirála ťažko kontrolovať a môže sa pretočiť, prasknúť alebo zlomiť.

Špirálu a spínač ZAP/VYP musí obsluhovať jedna a tá istá osoba. Ak sa nástroj prestane otáčať, musí byť používateľ schopný nástroj vypnúť, aby sa zabránilo skrúteniu, zalomeniu, zlomeniu alebo sľahaniu kábla.

S výnimkou situácií uvedených v tomto návode sa špirála nesmie otáčať smerom dozadu. Dlhšie používanie nástroja smerom dozadu môže spôsobiť poškodenie kábla a príslušenstva.

Vždy používajte zdravý rozum a buďte opatrní pri používaní náradia. Nie je možné predvídať každú situáciu, ktorá by mohla viesť k nebezpečným dôsledkom. Nepoužívajte toto náradie, ak nerozumiete tomuto návodu na obsluhu alebo ak máte pocit, že práca je nad rámec Vašich schopností. Obráťte sa na Milwaukee Tool alebo vyškolený profesionál pre ďalšie informácie alebo školenie.

Etikety a typové štítky neodstraňujte. Tieto štítky obsahujú dôležité informácie. Keď sú tieto štítky s pokynmi nečitateľné alebo chýbajú, obráťte sa na servisné centrum pre zákazníkov spol. MILWAUKEE, aby ste bezplatne získali ich náhradu.

POZOR! Niektorý prach vytvorený silovými brúsením, pílením, brúsením, vrтанím a inými stavebnými činnosťami obsahuje chemikálie, o ktorých je známe, že spôsobujú rakovinu, vrodené chyby alebo iné reprodukčné chyby. Niektoré príklady týchto chemikálií sú:

- olovo z náterov na báze olova
- kryštálický kremeň z tehál a cementu a iných murovacích výrobkov a
- arzén a chróm z chemicky ošetrovaného reziva.

Vaše riziko z týchto expozícií sa líši v závislosti od toho, ako často robíte tento typ práce.

Na zníženie Vašej expozície týmto chemikáliám: pracujte v dobre vetranom priestore a pracujte so schváleným bezpečnostným vybavením, ako sú masky na ochranu proti prachu, ktoré sú špeciálne určené na filtrovanie mikroskopických častíc.

Použite ochranné vybavenie. Pri práci s elektrickým náradím používajte vždy ochranné okuliare. Doporučujeme taktiež použitie súčastí ochranného odevu a ochranné obuvi, ako sú protiprašná maska, ochranné rukavice, pevná a neklzajúca obuv, ochranná prilba a ochrana sluchu.

Prach vznikajúci pri práci môže byť škodlivý zdraviu. Pri práci nosiť vhodnú ochrannú masku, aby sa nedostal do ľudského organizmu. Nesmú sa opracovávať materiály, ktoré môžu spôsobiť ohrozenie zdravia (napr. azbest)

Pri zablokovaní nasadeného nástroja prístroj okamžite vypnite! Prístroj nezapínajte, pokiaľ je nasadený nástroj zablokovaný; mohol by pri tom vzniknúť spätný náraz s vysokým reakčným momentom. Príčinu zablokovania nasadeného nástroja zistíte a odstránite so zohľadnením bezpečnostných pokynov. Pred každou prácou na stroji výmenný akumulátor vytiahnuť.

Opotrebované výmenné akumulátory nezahadzujte do ohňa alebo medzi domový odpad. Milwaukee ponúka likvidáciu starých výmenných akumulátorov, ktorá je v súlade s ochranou životného prostredia; informujte sa u Vášho predajcu.

Výmenné akumulátory neskladovať spolu s kovovými predmetmi (nebezpečenstvo skratu).

Pri extrémnych záťažach alebo extrémnych teplotách môže dôjsť k výtoku batériovej tekutiny z poškodeného výmenného akumulátora. Ak dôjde ku kontaktu pokožky s roztokom, postihnuté miesta umyť vodou a mydlom. Ak sa roztok dostane do očí, okamžite ich dôkladne vypláchnuť po dobu min. 10 min a bezodkladne vyhľadať lekára.

Aby ste zabránili nebezpečenstvu požiaru spôsobeného skratom, poraneniam alebo poškodeniam výrobku, neponárajte náradie, výmennú batériu alebo nabíjačku do kvapalín a postarajte sa o to, aby do zariadení a akumulátorov nevnikli žiadne tekutiny. Korodujúce alebo vodivé kvapaliny, ako je slaná voda, určité chemikálie a bieliace prostriedky alebo výrobky, ktoré obsahujú bieliadlo, môžu spôsobiť skrat.

Výmenné akumulátory systému M18 nabíjajú len nabíjacími zariadeniami systému M18. Akumulátory iných systémov týmto zariadením nenabíjajú.

Výmenné akumulátory a nabíjacie zariadenia neotvárať a skladovať len v suchých priestoroch. Chrániť pred vlhkosťou.

POZOR

 Toto zariadenie obsahuje gombíkovú/mincovú lítiovú batériu. Nová alebo použitá batéria môže spôsobiť vážne vnútorné popáleniny a viesť k usmrteniu do 2 hodín v prípade, že je prehriatá alebo vstúpi do tela. Vždy zaistite kryt batériového priestoru. Ak sa bezpečne neuzavrie, zariadenie zastavte, vyberte batériu a držte ju mimo dosahu detí. Ak si myslíte, že niekto prehriat batériu alebo že inak vstúpila do tela, okamžite vyhľadajte lekársku pomoc.

POUŽITIE PODĽA PREDPISOV

Sekčný kanalizačný stroj je zariadenie na čistenie drenáže, ktoré sa používa na čistenie sekundárnych drenážnych potrubí, ktoré sa nachádzajú v kuchyniach, kúpeľniach a technických miestnostiach.

ONE-KEY™

Ak sa chcete viac dozvedieť o funkcii ONE KEY na tomto nástroji, prečítajte si priložený návod pre rýchly štart alebo navštívte našu internetovú stránku <http://www.milwaukeeool.com/one-key>

Aplikáciu ONE KEY si môžete na svoj smartphone stiahnuť z app storeu alebo z Google Play. Výsledok skúšky spĺňa naše minimálne požiadavky v súlade s normami EN 301 489-1 / EN 301 489-17. In uporabniku bomo v navodilih za uporabo navedli smernice za obratovanje.

ONE-KEY™ indikátor	
Stála modrá	Bezdrôtový režim je aktívny a pripravený na konfiguráciu pomocou aplikácie ONE-KEY™.
Blikajúca modrá	Nástroj aktívne komunikuje s aplikáciou ONE-KEY™.
Blikajúca červená	Nástroje sú v bezpečnostnom zámku a majiteľ ich môže odomknúť pomocou aplikácie ONE-KEY™.

AKUMULÁTORY

Dlhší čas nepoužívané výmenné akumulátory pred použitím dobiť.

Teplota vyššia ako 50°C znižuje výkon výmenného akumulátora. Zabráňte dlhšiemu ohriatiu slnkom alebo kúrením.

Pripájacie kontakty na nabíjacom zariadení a výmennom akumulátore udržiavať čisté.

Pre optimálnu životnosť je nutné akumulátory po použití plne dobiť.

K zabezpečeniu dlhej životnosti by sa akumulátory mali po nabití vybrať z nabíjačky.

Pri skladovaní akumulátora po dobu dlhšiu než 30 dní: Skladujte akumulátor v suchu pri cca 27°C. Skladujte akumulátor pri cca 30%-50% nabíjacej kapacity. Opakujte nabíjanie akumulátora každých 6 mesiacov.

PREPRAVA LÍTIOVO-IÓNOVÝCH BATÉRIÍ

Lítiovo-iónové batérie podľa zákoných ustanovení spadajú pod prepravu nebezpečného nákladu.

Preprava týchto batérií sa musí realizovať s dodržiavaním lokálnych, vnútroštátnych a medzinárodných predpisov a ustanovení.

Spotrebiteľia môžu tieto batérie bez problémov prepravovať po cestách.

Komerčná preprava lítiovo-iónových batérií prostredníctvom špedičných firiem podlieha ustanoveniam o preprave nebezpečného nákladu. Prípravu k vyexpedovaniu a samotnú prepravu smú vykonávať iba adekvátne vyškolené osoby. Na celý proces sa musí odborne dohliadať.

Pri preprave batérií treba dodržiavať nasledovné:

Zabezpečte, aby boli kontakty chránené a izolované, aby sa zamedzilo skratom. Dávajte pozor na to, aby sa zväzok batérií v rámci balenia nemohol zošmyknúť. Poškodené a vytečené batérie sa nesmú prepravovať. Kvôli ďalším informáciám sa obráťte na vašu špedičnú firmu.

OCHRANA PROTI PREŤAŽENIU AKUMULÁTORA

Pri preťažení akumulátora príliš vysokou spotrebou prúdu, napríklad pri extrémne vysokom krútiacom momente, začne elektrické náradie po dobu 5 sekúnd vibrovať, indikátor dobijania začne blikať a motor sa následne samoočinne vypne.

K opätovnému zapnutiu uvoľníte a následne opäť stlačíte tlačidlovú vypínač.

Pri extrémnom zaťažení dochádza k príliš vysokému ohrevu akumulátora. V tomto prípade začnú blikať všetky kontrolky indikátora dobijania a blikajú tak dlho, dokiaľ sa akumulátor opäť neochladí. V okamihu, keď indikátor dobijania prestane blikať, je možné v práci opäť pokračovať.

Akumulátor v tomto prípade k dobitiu a aktivácii vložte opäť do nabíjačky.

DOPLNKOVÉ TIPY K POUŽITIU

Všimajte si obrázky pre bežné použitie.

Špirálu zavádzajte do potrubia ľahkým pohybom smerom dopredu a smerom späť dovtedy, kým sa neodstráni upchatie.

UPOZORNENIE: Keď je nástroj zablokovaný, okamžite pusťte spínač.

Uvoľnenie zablokovanej čističky potrubia:

- Otočte spínač dopredu/vypnúť/dozadu do polohy dozadu a otočte podávaci krúžok do polohy Točenie 0.
- Nástroj potiahnite späť niekoľko centimetrov v smere otáčania dozadu, aby sa špirála uvoľnila.
- Zastavte nástroj.
- Po úplnom zastavení nástroja prepnite spínač dopredu/vypnúť/dozadu späť do polohy dopredu.

POZOR! Neustála prevádzka nástroja v smere otáčania dozadu môže viesť k poškodeniu špirály a príslušenstva.



Ak je ťažké dostať kábel cez zachytávač alebo inú tvarovku, môžu sa použiť nasledujúce metódy alebo kombinácia metód.

1. Prudké ťahy kábla smerom nadol, či už s rotáciou kábla alebo bez nej, môžu pomôcť dostať kábel cez zachytávač.
2. S uvoľneným ramenom páky môže otáčanie kábla rukou zmeniť orientáciu rezáka, aby sa dalo ľahšie vysporiadať s tvarovkou.
3. Spustíte čistič drenáže v rotácii REV na niekoľko sekúnd a súčasne zatlačíte na kábel. Urobte to len tak dlho, aby ste mohli kábel uvoľniť cez zachytávač. Prevádzkovanie kábla smerom dozadu môže kábel poškodiť.

Ak tieto možnosti nefungujú, zvážte použitie kábla s menším priemerom alebo použítie flexibilnejšieho kábla.

MONTÁŽ ŠPIRÁLY

Všimajte si obrázky k montáži špirály.

VÝSTRAHA! Špirála je pod tlakom a pri montáži sa môže zrazu zrýchliť, čo môže viesť k zraneniam. Noste ochranné okuliare alebo okuliare s bočnou ochranou, aby sa riziko zranenia znížilo čo najviac.

Vždy noste kožené rukavice.

Prečítajte si návod na obsluhu. Používajte vhodné ochranné pomôcky.

Pri použití čističky potrubia môžete prísť do kontaktu s chemikáliami, baktériami alebo inými žieravými toxickými alebo infekčnými látkami.

Po použití si ruky vyčistíte teplou vodou a mydlom.

ÚDRŽBA

Pred každou prácou na stroji výmenný akumulátor vytiahnuť.

Voľne ležiaca špirála utrite handrou a znovu zasuňte do bubna.

Pred uskladnením čističky potrubia špirálu kompletne vytiahnite von. Špirálu vyčistíte a voľne naviňte.

Používať len Milwaukee príslušenstvo a Milwaukee náhradné diely. Súčiastky bez návodu na výmenu treba dat vymeniť v jednom z Milwaukee zákazníckych centier (viď brožúru Záruka/Adresy zákazníckych centier).

Pri udaní typu stroja a čísla nachádzajúceho sa na štítku dá sa v prípade potreby vyžiadať explozívna schéma prístroja od vášho zákazníckeho centra alebo priamo v Techtronic Industries GmbH, Max-Eyth-Straße 10, 71364 Winnenden, Germany.

CE - VYHLÁSENIE KONFORMITY

Na našu výhradnú zodpovednosť vyhlasujeme, že produkt popísaný v časti „Technické údaje“ spĺňa všetky príslušné ustanovenia smerníc:

2011/65/EÚ (RoHS), 2006/42/ES, 2014/30/EÚ, 2014/53/EÚ

a boli použité nasledovné harmonizované normy

EN 62841-1:2015

EN 62841-3-14:2017

EN 55014-1:2017+A11:2020, EN 55014-2:2015

EN 62479:2010

EN 300 328 V2.2.2

EN 301 489-1 V2.2.3

EN 301 489-17 V3.1.1

EN IEC 63000:2018



Winnenden. 2020-11-17

Alexander Krug / Managing Director
Splnomocnený zostaví technické podklady.
Techtronic Industries GmbH
Max-Eyth-Straße 10, 71364 Winnenden, Germany

SYMBOLY



POZOR! NEBEZPEČENSTVO!



Pred prvým použitím prístroja si pozorne prečítajte návod na obsluhu.



Pri práci so strojom vždy noste ochranné okuliare.



Vždy noste ochranné rukavice – uprednostnite rukavice z kože!



Pred každou prácou na stroji výmenný akumulátor vytiahnuť.



Príslušenstvo - nie je súčasťou štandardnej vybavy, odporúčané doplnenie z programu príslušenstva.



Káble nepreťažujte.

Pretážovanie káblov môže spôsobiť skrútenie, zalomenie alebo zlomenie kábla a mohlo by to mať za následok vážne zranenie.



Automatický výber posuvu / spätného ťahu zapnutý



Automatický výber posuvu / spätného ťahu vypnutý



otáčanie v smere hodinových ručičiek (dopredu)



otáčanie v protismere hodinových ručičiek (dozadu)



Elektrické zariadenia, batérie/akumulátory sa nesmú likvidovať spolu s odpadom z domácnosti. Elektrické zariadenia, batérie/akumulátory treba zbierať oddelene a odovzdať ich v recyklačnom podniku na ekologickú likvidáciu. Na miestnych úradoch alebo u vášho špecializovaného predajcu sa spýtajte na recyklačné podniky a zberné dvory.



Toto zariadenie obsahuje gombíkovú/mincovú lítiovú batériu.

n₀

Otázky naprázdno

V

Napätie



Jednosmerný prúd



Značka zhody v Európe



Značka zhody v Británii



Značka zhody na Ukrajině

001



Značka zhody pre oblasť Eurázie

Slovensky

Dane techniczne	M18 FSSM
Maszyna do przepychania rur	
Numer produkcyjny	4749 26 02... ... 000001-999999
Napięcie baterii akumulatorowej	18 V \equiv
Prędkość bez obciążenia n_0	0 - 700 min ⁻¹
Pasma (pasma) częstotliwości Bluetooth	2402-2480 MHz
moc częstotliwości radiowej	1,8 dBm
Wersja Bluetooth	4,0 BT signal mode
Prędkość wysuwu / wsuwu spirali maks.	31 cm/s
Rozmiar spirali	\varnothing 22 mm (7/8") & \varnothing 32 mm (1 1/4")
Długość odcinka spirali	4,5 m
Maks. długość spirali	60 m
Zalecana średnica rury	\varnothing 50 - 200 mm
Długość węża prowadzącego	3500 mm
Rozmiar węża prowadzącego	\varnothing 50 mm
Ciężar wg procedury EPTA 01/2014 (z akumulatorem litowo-jonowym 12,0 Ah)	33,32 kg
Masa bez akumulatora, spirali i węża prowadzącego.	31,75 kg
Masa bez akumulatora, z węzłem prowadzącym	37,55 kg
Zalecana temperatura otoczenia w trakcie eksploatacji	-18°C ... +50°C
Zalecane zestawy akumulatorowe	M18HB...; M18B...
Zalecane ładowarki	M12-18...; M1418C6
Informacja dotycząca szumów	
Zmierzone wartości wyznaczone zgodnie z normą EN 62841. Poziom szumów urządzenia oszacowany jako A wynosi typowo:	
Poziom ciśnienia akustycznego (Niepewność K=3dB(A))	69,21 dB (A)
Poziom mocy akustycznej (Niepewność K=3dB(A))	80,21 dB (A)
Należy używać ochroniaczy uszu!	



OSTRZEŻENIE

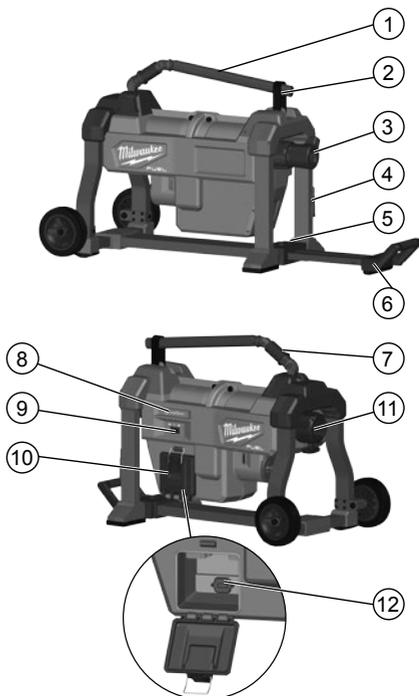
Wartość emisji hałasu podana w niniejszej karcie charakterystyki została zmierzona zgodnie ze znormalizowaną procedurą kontrolną określoną w normie EN 62841 i może być wykorzystywana do porównywania ze sobą poszczególnych narzędzi. Nadaje się również do wstępnej oceny obciążenia.

Podana wartość emisji hałasu jest aktualna w przypadku głównych zastosowań narzędzia. Jednakże jeśli narzędzie jest używane do innych celów lub w połączeniu z innymi akcesoriami, bądź nie jest poddawane należytej konserwacji, wartość emisji hałasu może się różnić. Może to znacznie zwiększyć obciążenie w całym okresie roboczym.

W celu dokładnego oszacowania poziomu hałasu należy również wziąć pod okresy, w których narzędzie jest wyłączone lub pracuje, ale nie jest faktycznie używane. W ten sposób można znacznie zmniejszyć obciążenie w całym okresie roboczym.

Należy ustanowić dodatkowe środki bezpieczeństwa w celu ochrony operatora przed skutkami hałasu, takie jak: Konserwacja narzędzi i akcesoriów oraz organizacja procesów pracy. Stosować środki ochrony słuchu! Hałas może powodować utratę słuchu.

⚠ OSTRZEŻENIE! Przeczytać wszystkie wskazówki bezpieczeństwa, instrukcje, ilustracje i dane dołączone do urządzenia. Jeśli nie będą przestrzegane następujące przepisy, może dojść do porażenia prądem, pożaru i/lub ciężkich obrażeń ciała. **Należy starannie przechowywać wszystkie przepisy i wskazówki bezpieczeństwa dla dalszego zastosowania.**



Opis urządzenia

- ① Ramię dźwigni
- ② Zaczep uchwyty transportowego
- ③ Wylot spirali
- ④ Zaczep spirali
- ⑤ Przycisk zwalnający uchwyt
- ⑥ Uchwyt wysuwany
- ⑦ Pierścień ramienia dźwigni
- ⑧ Wskaźnik ONE-KEY™
- ⑨ Do przodu/Wył/Do tyłu
- ⑩ Kłapka komory akumulatora
- ⑪ Przyłącze tylnego węża prowadzącego
- ⑫ Komora baterii ONE-KEY

WSKAZÓWKI BEZPIECZEŃSTWA PRZY UŻYCIU SPRZĘTU DO CZYSZCZENIA RUR

Należy zawsze używać tylnego węża prowadzącego podczas eksploatacji narzędzia i upewnić się, że spirala nie wystaje poza tylny wąż prowadzący. Zapobiega to biciu spirali, co może doprowadzić do jego zaplątania i spowodować obrażenia ciała użytkownika.

Wyżej wymieniony sprzęt do czyszczenia rur należy stosować jedynie do rur o podanych wymiarach. Stosowanie sprzętu do czyszczenia o wymiarach niewłaściwych może doprowadzić do nadmiernego skręcenia, zagięcia lub pęknięcia spirali i spowodować skałeczenie.

Obracając się spiralę chwytając tylko przy pomocy rękawic zalecanych przez producenta. Rękawiczki lateksowe lub nieprzylegające ściśle do rąk względnie tkanina mogą zwinąć się wokół spirali i spowodować poważne skałeczenia.

Kontrolować, aby końcówka spirali się nie zaczęła. W przeciwnym razie spirala może zostać przecięta i nadmiernie się skrócić, zagiąć lub złamać, co może spowodować poważne skałeczenia.

Jeżeli wymagająca przeczyszczenia rura odpływowa może zawierać chemikalia, bakterie lub inne substancje toksyczne względnie czynniki zakaźne, to pod zalecanymi przez producenta rękawicami ochronnymi należy używać rękawiczek lateksowych lub gumowych od okularów ochronnych, ochrony na twarz, ubrania ochronnego i maski filtracyjnej. Przewody rurowe mogą zawierać chemikalia, bakterie lub inne substancje, które mogą być toksyczne lub spowodować zakażenie i skałeczenia lub wywołać inne obrażenia.

Należy przestrzegać przepisów sanitarnych. Nie jeść ani nie palić podczas pracy urządzenia. Po lub przed używaniem sprzętu do czyszczenia rur umyć ręce oraz inne części ciała mające styczność z zawartością rur zawsze ciepłą wodą i mydłem. W ten sposób uniknie się zagrożenia zdrowia wynikającego z narażenia na działanie substancji toksycznych lub wywołujących infekcje.

Dodatkowe wskazówki bezpieczeństwa i instrukcje robocze Podczas pracy narzędzia należy zawsze trzymać spiralę ręką z założoną rękawicą. Zapewnia to lepszą kontrolę nad spiralą i pomaga zapobiec skręcaniu, plątaniu się lub zginaniu spirali, co może prowadzić do poważnych obrażeń ciała.

Przed użyciem sprawdzić spiralę pod kątem śladów zużycia lub uszkodzeń. Przed zastosowaniem urządzenia czyszczącego do rur wymienić zużytą lub uszkodzoną spiralę na inną.

Spirali nie przekreślać, nie zaginać ani nadmiernie nie wyginać. Pęknięcie spirali może spowodować poważne skałeczenia.

Przed użyciem urządzenia skontrolować przewidzianą do czyszczenia rurę. Określić, na ile to możliwe, punkt(y) dościa, średnicę oraz długość przewodu, a także odległość od przewodów głównych, rodzaj niedrożności oraz obecność środków do czyszczenia rur lub innych chemikaliów. W przypadku stwierdzenia występowania chemikaliów w rurze odpływowej należy podjąć odpowiednie środki ostrożności. Należy zwrócić się do producenta środka chemicznego celem uzyskania wymaganych informacji.

Obsługa narzędzia w wodzie zwiększa ryzyko porażenia prądem elektrycznym.

W razie potrzeby przykryć obszar roboczy. Czyszczenie rur może spowodować pobrudzenie.

Upewnić się, że spirala jest całkowicie nawinięta w celu uniknięcia gwałtownego odbicia spirali przy włączeniu. Umieścić maszynę do przepychania rur w odległości nie większej niż 60 cm od otworu rury ściekowej. Jeśli maszyna do przepychania rur nie można umieścić w odległości 60 cm od otworu rury odpływowej, rurę należy przedłużyć przy użyciu rury i armatury o podobnym rozmiarze. Przy większej odległości nie jest możliwa właściwa kontrola spirali, która może się przekreślić, zagiąć lub pęknąć.

Spiralę oraz włącznik/wyłącznik musi obsługiwać jedna i ta sama osoba. Jeśli narzędzie przestanie się obracać, użytkownik musi mieć możliwość wyłączenia narzędzia, aby zapobiec skręcaniu, zaplątaniu się, zgięciu lub biciu spirali.

Z wyjątkiem sytuacji wymienionej w tej instrukcji nie wolno spirali odkręcać do tyłu. Długotrwała praca narzędzia na biegu wstecznym może spowodować uszkodzenie spirali i akcesoriów.

Podczas używania narzędzia należy zawsze zachować zdrowy rozsądek i środki ostrożności. Nie można przewidzieć każdej sytuacji, która może doprowadzić do niebezpieczeństwa. Nie używać narzędzia, jeśli użytkownik nie zrozumiał instrukcji obsługi lub jeśli bezpieczne wykonanie pracy wykracza poza możliwości użytkownika; skontaktuj się z firmą Milwaukee Tool lub przeszkolonym specjalistą w celu uzyskania dodatkowych informacji lub szkolenia.

Nie usuwać etykietek ani tabliczek znamionowych. Tabliczki te zawierają ważne informacje. W przypadku kiedy są one nieczytelne lub ich brakuje, należy zwrócić się do serwisu klienta – MILWAUKEE w celu uzyskania ich bezpłatnej wymiany.

OSTRZEŻENIE! Niektóre pyły powstające podczas polerowania, piłowania, szlifowania, wiercenia i innych prac budowlanych zawierają substancje chemiczne, które mogą powodować raka, wady płodu lub narządów rozrodczych. Oto kilka przykładów takich substancji chemicznych:

- ołów pochodzący z farb ołowiowych
- krzemionka krystaliczna pochodząca z cegieł, cementu i innych produktów murarskich oraz
- arsen i chrom pochodzące z drewna przetwarzanego chemicznie.

Ryzyko związane z tym narażeniem jest różne, w zależności od tego, jak często użytkownik wykonuje ten rodzaj pracy.

Aby zmniejszyć narażenie na działanie tych substancji chemicznych: pracować w dobrze przewietrzonym pomieszczeniu i korzystać z zatwierdzonych urządzeń zabezpieczających, takich jak maski przeciwpyłowe, które zostały specjalnie zaprojektowane do filtrowania mikroskopijnych cząstek.

Stosować wyposażenie ochronne. Przy pracy maszyną zawsze nosić okulary ochronne. Zalecana jest odzież ochronna, jak maska pyłochronna, rękawice ochronne, mocne i chroniące przed poślizgiem obuwie, kask i ochronnik słuchu.

Kurz powstający przy pracy z tym elektronarzędziem może być szkodliwy dla zdrowia, w związku z tym nie powinien dotrzeć do ciała. Nosić odpowiednią maskę przeciwpyłową.

Nie wolno obrabiać materiałów, które mogą być przyczyną zagrożenia zdrowia (na przykład azbestu).

W przypadku zablokowania narzędzia nasadzanego należy natychmiast wyłączyć urządzenie! Nie należy ponownie włączać urządzenia tak długo, jak długo narzędzie nasadzone jest zablokowane; przy tym mógłby powstać odrzut zwrotny o dużym momencie reakcyjnym. Należy wykrzyć i usunąć przyczynę zablokowania narzędzia nasadzanego uwzględniając wskazówki dotyczące bezpieczeństwa.

Przed przystąpieniem do jakichkolwiek prac na elektronarzędziu należy wyjąć wkładkę akumulatorową.

Zużytych akumulatorów nie wolno wrzucać do ognia ani traktować jako odpadów domowych. Milwaukee oferuje ekologiczną utylizację zużytych akumulatorów.

Nie przechowywać akumulatorów wraz z przedmiotami metalowymi (niebezpieczeństwo zwarcia).

W skrajnych warunkach temperaturowych lub przy bardzo dużym obciążeniu może dochodzić do wycieku kwasu akumulatorowego z uszkodzonych baterii akumulatorowych. W przypadku kontaktu z kwasem akumulatorowym należy natychmiast przemyć miejsce kontaktu wodą z mydłem. W przypadku kontaktu z oczami należy dokładnie przepłukiwać oczy przynajmniej przez 10 minut i zwrócić się natychmiast o pomoc medyczną.

Aby uniknąć niebezpieczeństwa pożaru, obrażeń lub uszkodzeń produktu na skutek zwarcia, nie wolno zanurzać narzędzia, akumulatora wymiennego ani ładowarki w cieczach i należy zatroszczyć się o to, aby do urządzeń i akumulatorów nie dostały się żadne ciecz. Zwarcie spowodować mogą korodujące lub przewodzące ciecz, takie jak woda morską, określone chemikalia i wybielacze lub produkty zawierające wybielacze.

Akumulatory Systemu M18 należy ładować wyłącznie przy pomocy ładowarek Systemu M18. Nie ładować przy pomocy tych ładowarek akumulatorów innych systemów.

Nie otwierać wkładek akumulatorowych i ładowarek.

Przechowywać w suchych pomieszczeniach. Chronić przed wilgocią.



OSTRZEŻENIE



Urządzenie posiada guzikową baterię litową. W przypadku poknięcia lub dostania się do organizmu nowej lub używanej baterii może dojść do poparzenia wewnętrznych części ciała a nawet śmierci w ciągu zaledwie 2 godzin. Zawsze zabezpieczyć pokrywę na komorze baterii. Jeśli nie zostanie bezpiecznie zamknięta, zatrzymać urządzenie, usunąć baterię i trzymać ją w miejscu niedostępnym dla dzieci. W razie stwierdzenia poknięcia lub dostania się baterii do organizmu w inny sposób, należy niezwłocznie skonsultować się z lekarzem.

WARUNKI UŻYTKOWANIA

Maszyna do przepychania rur jest maszyną przeznaczoną do czyszczenia i przepychania rur odpływowych w kuchniach, łazienkach i pomieszczeniach gospodarczych.

ONE-KEY™

Aby dowiedzieć się więcej na temat funkcji ONE-KEY urządzenia, przeczytaj załączoną instrukcję szybkiego startu lub odwiedź nas w Internecie na stronie <http://www.milwaukeeool.com/one-key>.

Możesz pobrać aplikację ONE-KEY z sklepu App Store lub Google Play na swojego smartfona. Wynik badania spełnia nasze minimalne wymagania zgodnie z normą EN 301 489-1 / EN 301

489-17. Przekażemy też klientowi wytyczne operacyjne w instrukcji obsługi.

Wskaźnik ONE-KEY™	
Światło niebieskie stałe	Tryb łączności bezprzewodowej jest aktywny i gotowy do konfiguracji przez aplikację ONE-KEY™.
Światło niebieskie migające	Narzędzie jest połączone z aplikacją ONE-KEY™.
Światło czerwone migające	Narzędzie znajduje się w bezpiecznym, zablokowanym stanie i można je odblokować za pomocą aplikacji ONE-KEY™.

BATERIE AKUMULATOROWE

Akumulatory, które nie były przez dłuższy czas użytkowane, należy przed użyciem naładować.

W temperaturze powyżej 50°C następuje spadek osiągniętych wkładki akumulatorowej. Unikać długotrwałego wystawienia na oddziaływanie ciepła lub promieni słonecznych (niebezpieczeństwo przegrzania).

Styki ładowarek i wkładek akumulatorowych należy utrzymywać w czystości

Dla zapewnienia optymalnej żywotności akumulatory po użyciu należy naładować do pełnej pojemności.

Dla zapewnienia możliwie długiej żywotności akumulatory należy wyjąć z ładowarki po ich naładowaniu.

W przypadku składowania akumulatorów dłużej aniżeli 30 dni: Przechowywać je w suchym miejscu w temperaturze ok. 27°C. Przechowywać je w stanie naładowanym do ok. 30% - 50%. Ładować je ponownie co 6 miesięcy.

TRANSPORT AKUMULATORÓW LITOWO-JONOWYCH

Akumulatory litowo-jonowe podlegają ustawowemu przepisom dotyczącym transportu towarów niebezpiecznych.

Transport tych akumulatorów winien odbywać się przy przestrzeganiu lokalnych, krajowych i międzynarodowych rozporządzeń i przepisów.

Odbiorcom nie wolno transportować tych akumulatorów po drogach ot tak po prostu.

Komercyjny transport akumulatorów litowo-jonowych przez przedsiębiorstwa spedycyjne podlega przepisom dotyczącym transportu towarów niebezpiecznych. Przygotowania do wysyłki oraz transport mogą być wykonywane wyłącznie przez odpowiednio przeszkolone osoby. Cały proces winien odbywać się pod fachowym nadzorem.

W czasie transportu akumulatorów należy przestrzegać następujących punktów:

Celem uniknięcia zwarcia należy upewnić się, że styki są zabezpieczone i zaizolowane. Zwracać uwagę na to, aby zespół akumulatorów nie mógł się przemieszczać we wnętrzu opakowania. Nie wolno transportować akumulatorów uszkodzonych lub z wyciekającym z elektrolitem. Odnośnie dalszych wskazań należy zwrócić się do swojego przedsiębiorstwa spedycyjnego.



ZABEZPIECZENIE PRZECIĄŻENIOWE AKUMULATORA

W przypadku przeciążenia akumulatora przez bardzo duży pobór prądu, na przykład wskutek ekstremalnie dużych momentów obrotowych, narzędzie ręczne z napędem elektrycznym wibruje przez 5 sekund, miga wskaźnik ładowania i narzędzie samoczynnie wyłącza się.

W celu ponownego włączenia narzędzia należy zwolnić przycisk przełączający, a następnie ponownie go włączyć. Przy ekstremalnych obciążeniach akumulator nagrzewa się za mocno. W takim przypadku wszystkie lampki wskaźnika ładowania migają tak długo, aż akumulator ochłodzi się. Po zgaśnięciu wskaźnika ładowania można kontynuować pracę.

Wówczas należy wetknąć akumulator do ładowarki, aby go ponownie naładować i aktywować.

DODATKOWE WSKAZÓWKI W CZASIE UŻYTKOWANIA

Przy normalnym użytkowaniu kierować się rysunkami.

Wprowadzić spiralę do rury poruszając ją lekko do przodu i do tyłu do momentu usunięcia niedrożności rury.

WSKAZÓWKA: Jeżeli urządzenie blokuje, należy natychmiast puścić przełącznik.

Zwolnienie zablokowanego urządzenia czyszczącego.

1. Obrócić przełącznik „Do przodu/Wył/Do tyłu” do pozycji „Do tyłu” i przekręcić wylot spirali do pozycji „0”.
2. Pociągnąć urządzenie w kierunku wstecznym o kilka centymetrów do tyłu w celu zwolnienia spirali.
3. Zatrzymać narzędzie.
4. Po całkowitym zatrzymaniu narzędzia należy przełączyć przełącznik „Do przodu/Wył/Do tyłu” z powrotem do pozycji „Do przodu”.

ZACHOWAĆ OSTROŻNOŚĆ! Ciągła praca urządzenia w kierunku wstecznym może prowadzić do uszkodzenia spirali i akcesoriów. Jeśli występują trudności z przeprowadzeniem spirali przez przeszkodę lub armaturę, można zastosować następujące metody lub kombinację metod.

1. Mocne pchnięcie spirali, znajdującej się ruchu obrotowym lub nie, może pomóc w przeprowadzeniu spirali przez przeszkodę.
2. Przy zwolnionym ramieniu dźwigni, ręczne obracanie spirali może zmienić ustawienie noża, aby umożliwić łatwiejsze przejście przez armaturę.
3. Uruchomić maszynę do przepychania rur w trybie pracy „Do tyłu” na kilka sekund, jednocześnie pchając spiralę w dół. Czynnność tę wykonywać tylko do momentu aż spirala przejdzie przez przeszkodę. Praca spirali w ruchu „Do tyłu” może spowodować jej uszkodzenie.

Jeśli te opcje nie pomogą, należy rozważyć zastosowanie spirali o mniejszej średnicy lub bardziej elastycznej spirali.

ZAMONTOWAĆ SPIRALĘ

Przy montażu spirali kierować się rysunkami.

OSTRZEŻENIE! Spirala znajduje się pod ciśnieniem i w czasie montażu może nagle wystrzelić, co może prowadzić do skaleczeń. Należy nosić okulary ochronne albo okulary z bocznymi osłonami w celu zminimalizowania ryzyka odniesienia obrażeń.

Zawsze zakładaj rękawice skórzane.

Należy przeczytać instrukcję obsługi. Należy stosować odpowiednie wyposażenie ochronne.

W trakcie stosowania urządzenia do czyszczenia rur mogą mieć Państwo kontakt z chemikaliami, bakteriami lub innymi substancjami żrącymi, toksycznymi czy zakaźnymi.

Po użyciu należy umyć ręce w ciepłej wodzie z mydłem.

UTRZYMANIE I KONSERWACJA

Przed przystąpieniem do jakichkolwiek prac na elektronarzędziu należy wyjąć wkładkę akumulatorową.

Luźną spiralę wytrzeć ściereczką i ponownie wsunąć w bęben.

Przed schowaniem urządzenia do czyszczenia rur należy całkowicie wyjąć spiralę. Oczyszczyć spiralę i luźno zwinąć.

Używać tylko i wyłącznie wyposażenia dodatkowego Milwaukee i części zamiennych Milwaukee. Gdyby trzeba było wymienić części, które nie zostały opisane, należy skontaktować się z przedstawicielem serwisu Milwaukee (patrz wykaz adresów punktów usługowych/gwarancyjnych).

Na życzenie można otrzymać rysunek widoku zespołu rozebranego. Przy zamawianiu należy podać numer oraz typ elektronarzędzia umieszczonego na tabliczce znamionowej. Zamówienia można dokonać albo u lokalnych przedstawicieli serwisu, albo bezpośrednio w Techtronic Industries GmbH, Max-Eyth-Straße 10, 71364 Winnenden, Germany.

DEKLARACJA ZGODNOŚCI CE

Oświadczamy na naszą wyłączną odpowiedzialność, że produkt opisany pod „Dane techniczne” spełnia wszystkie istotne przepisy dyrektywy:

2011/65/UE (RoHS)

2006/42/WE

2014/30/UE

2014/53/UE

i zastosowano następujące zharmonizowane normy

EN 62841-1:2015

EN 62841-3-14:2017

EN 55014-1:2017+A11:2020

EN 55014-2:2015

EN 62479:2010

EN 300 328 V2.2.2

EN 301 489-1 V2.2.3

EN 301 489-17 V3.1.1

EN IEC 63000:2018



Winnenden. 2020-11-17

Alexander Krug / Managing Director

Upelnomocniony do zestawienia danych technicznych

Techtronic Industries GmbH

Max-Eyth-Straße 10, 71364 Winnenden, Germany

SYMBOLE



UWAGA! OSTRZEŻENIE NIEBEZPIECZEŃSTWO!



Przed uruchomieniem elektronarzędzia zapoznać się uważnie z treścią instrukcji.



Podczas pracy należy zawsze nosić okulary ochronne.



Nosić stale rękawice ochronne - najlepiej skórzane!



Przed przystąpieniem do jakichkolwiek prac na elektronarzędziu należy wyjąć wkładkę akumulatorową.



Wyposażenie dodatkowe dostępne osobno.



Nie rozciągać spirali.

Rozciąganie spirali może spowodować skręcanie, zaplątanie się lub zgięcie spirali, co może prowadzić do poważnych obrażeń ciała.



Włączenie automatycznego wysuwania / wsuwania



Wyłączenie automatycznego wysuwania / wsuwania



Obrotanie zgodnie z ruchem wskazówek zegara (do przodu)



Obrotanie przeciwnie do ruchu wskazówek zegara (do tyłu)



Urządzenia elektryczne, baterie/akumulatory nie mogą być usuwane razem z odpadami pochodzącymi z gospodarstw domowych. Urządzenia elektryczne i akumulatory należy gromadzić oddzielnie i w celu usuwania ich do odpadów zgodnie z wymaganiami środowiska naturalnego oddawać do przedsiębiorstwa utylizacyjnego. Proszę zasięgnąć informacji o centrach recyklingowych i punktach zbiorczych u władz lokalnych lub u wyspecjalizowanego dostawcy.



Urządzenie posiada guzikową baterię litową.

n_0 Prędkość bez obciążenia

V Napięcie

— — — Prąd stały



Europejski Certyfikat Zgodności



Brytyjski Certyfikat Zgodności



Ukraiński Certyfikat Zgodności

001



Euroazjatycki Certyfikat Zgodności



Műszaki adatok	M18 FSSM
Szekcionált csatornatisztító gép	
Gyártási szám	4749 26 02... ... 000001-999999
Akkumulátor feszültség	18 V \equiv
Üresjárat fordulatszám n_0	0 - 700 min^{-1}
Bluetooth-frekvenciasáv (frekvenciasávok)	2402-2480 MHz
Jelerősség	1,8 dBm
Bluetooth-verzió	4,0 BT signal mode
Előtölési/visszahúzási sebesség max.	31 cm/s
Csatornatisztító kábel mérete	\varnothing 22 mm (7/8") & \varnothing 32 mm (1 1/4")
Szekcionált csatornatisztító kábel hossza	4,5 m
Csatornatisztító kábel max. hossza	60 m
Ajánlott csőátmérő	\varnothing 50 - 200 mm
Írányítócső/vezetőtömlő hossza	3500 mm
Írányítócső/vezetőtömlő mérete	\varnothing 50 mm
Súly a 01/2014 EPTA-eljárás szerint (lítium-ion akkumulátorral 12,0 Ah)	33,32 kg
Súly akkumulátor, csatornatisztító kábel és vezetőtömlő nélkül.	31,75 kg
Súly akkumulátor nélkül, de vezetőtömlővel együtt	37,55 kg
Üzemeléshez ajánlott környezeti hőmérséklet	-18°C ... +50°C
Ajánlott akkusomagok	M18HB...; M18B...
Ajánlott töltőkészülékek	M12-18...; M1418C6
Zajinformáció	
A közölt értékek megfelelnek az EN 62841 szabványnak. A készülék munkahelyi zajszintje tipikusan:	
Hangnyomás szint (K bizonytalanság=3dB(A))	69,21 dB (A)
Hangteljesítmény szint (K bizonytalanság=3dB(A))	80,21 dB (A)
Hallásvédő eszköz használata ajánlott!	



FIGYELMEZTETÉS

Az ebben a tájékoztatóban megadott zajkibocsátási értéket az EN 62841 szabványosított teszteljárás szerint mérték, és felhasználható a szerszámok egymással történő összehasonlításához. A terhelés előzetes megbecslésére is alkalmas.

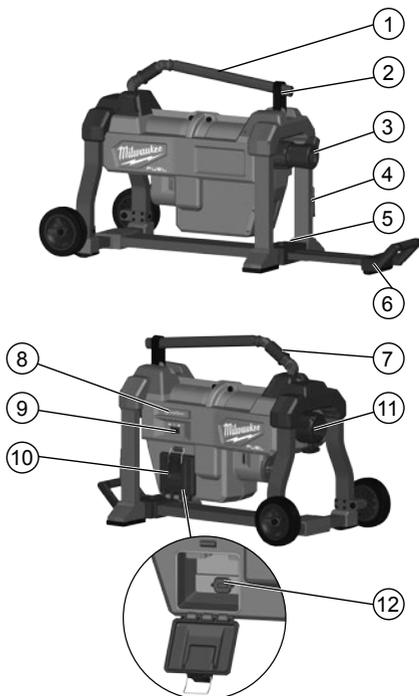
A megadott zajkibocsátási érték a szerszám legfőbb alkalmazásait reprezentálja. Ha a szerszámot azonban más alkalmazásokra vagy eltérő tartozékokkal használja, illetve nem megfelelően tartja karban, úgy a zajkibocsátási érték eltérhet ettől. Ez jelentősen megnövelheti a terhelést a munkavégzés teljes idejére.

A zajterhelés pontos megállapításához azokat az időszakokat is figyelembe kell venni, amikor a szerszám ki van kapcsolva, vagy ugyan megy, de ténylegesen nem használják. Ez jelentősen lecsökkentheti a terhelést a munkavégzés teljes idejére.

A kezelő zajhatás elleni védelme érdekében határozzon meg további biztonsági intézkedéseket, pl. a szerszám és a tartozékok karbantartása, valamint a munkafolyamatok szervezése.

Viseljen hallásvédőt. A zaj hatása hallásvesztést okozhat.

⚠ FIGYELMEZTETÉS! Olvasson el minden, a géppel együtt megkapott biztonsági utalást, utasítást, ábrázolást és adatot. Ha nem tartja be a következő előírásokat, akkor ez áramütéshez, tűzhoz és/vagy súlyos személyi sérülésekhez vezethet. **Kérjük a későbbi használatra gondosan őrizze meg ezeket az előírásokat.**



Eszközleírás

- | | |
|------------------------|----------------------------------|
| ① Emelőkar | ⑧ ONE-KEY™ jelzőlámpa |
| ② Teherhordó kampó | ⑨ Előre/Ki/Vissza |
| ③ Előtölő gallér | ⑩ Akkumulátorfedél |
| ④ Kábelhorog | ⑪ Hátsó vezetőtömlő csatlakozása |
| ⑤ Nyeles kioldógomb | ⑫ ONE-KEY akkumulátorfedél |
| ⑥ Teleszkópos fogantyú | |
| ⑦ Emelőkar galléria | |

▲ CSÓTISZTÍTÓ GÉPEKRE VONATKOZÓ BIZTONSÁGI ÚTMUTATÁSOK

Az eszköz működtetése során mindig használja a hátsó vezetőtömlőt, és ügyeljen arra, hogy a kábel ne érjen a hátsó vezetőtömlő mögé. Ezáltal megelőzheti a kábel felcsapódását, amely összegabalyodást és személyi sérülést okozhat.

A csőtisztító készülék csak a megadott méretű csövekhez szabad használni. Nem megfelelő méretű csőtisztító használata a spirál megtekeredését, megtörését vagy eltörését, és sérüléseket okozhat.

A forgó spirált csak a gyártó által ajánlott kesztyűvel fogja meg. A latexből készült vagy laza viseletű kesztyűket, ill. kendőket a spirál feltekerheti, és súlyos sérüléseket okozhat.

Gondoskodjon róla, hogy a spirál csúcsa ne akadjon be, míg a spirál forog. Ellenkező esetben a spirál túlterhelődhet, és túlzott mértékben megtekeredhet, megtörhet vagy eltörhet, amely súlyos sérüléshez vezethet.

Ha a megtisztítandó lefolyócsó vegyszereket, baktériumokat vagy más mérgező anyagokat, ill. kórokozókat tartalmazhat, akkor használjon a gyártó által javasolt védőkésztyűk közül latex- vagy gumikesztyűt, valamint védőszemüveget, arcvédőt, védőruházatot és légzésvédő maszkot. A csővezetékek vegyszereket, baktériumokat vagy más olyan anyagokat tartalmazhatnak, amelyek mérgezőek vagy fertőzőveszélyesek lehetnek, égési sérüléseket vagy más súlyos sérüléseket okozhatnak.

Tartsa be a higiéniai előírásokat. Ne egyen és ne dohányozzon, miközben a készüléket használja. A csőtisztító készülékek kezelését vagy használatát követően meleg vízzel és szappannal mosson kezet, ill. mossa meg azon egyéb testrészeit, amelyek a cső tartalmával érintkeztek. Így elkerülheti a mérgező vagy fertőző anyagokkal való érintkezésből adódó egészségügyi kockázatokat.

További biztonsági és munkavégzési utasítások

Az eszköz működése közben a kábelhez kesztyűben nyúljon hozzá. Ily módon jobban irányítása alatt tarthatja a kábelt, és megakadályozhatja, hogy a kábel esetleges megcsavarodása, összegabalyodása vagy törése súlyos személyi sérülést idézzen elő.

Használat előtt ellenőrizze a spirált kopás és sérülések tekintetében. Cserélje ki az elkopott vagy sérült spirált a csőtisztító készülék használata előtt.

A spirált ne tekerje el, ne törje meg és ne hajlítsa meg túlzottan. A spirál törése súlyos sérüléseket okozhat.

A készülék használata előtt ellenőrizze a megtisztítandó csövet. Amennyiben lehetséges, határozza meg a hozzáférési pont(ok)at, a cső átmérőjét és hosszát, valamint a fő vezetékektől való távolságát, a dugulás jellegét, továbbá csőtisztító szerek vagy más vegyszerek jelenlétét. Amennyiben a lefolyócsóban vegyszerek találhatók, megfelelő óvintézkedéseket kell tenni. A szükséges információért forduljon a vegyszer gyártójához.

Ne működtesse az eszközt, ha a felhasználó vagy maga az eszköz vízben áll. Az eszköz vízben való működtetése növeli az áramütés kockázatát.

Szükség esetén takarja le a munkaterületet. A lefolyócsótisztítás sok kosszal járhat.

Bizonyosodjon meg arról, hogy a spirál teljesen fel van tekerve. Így elkerülheti a spirál ostorszerű csapását bekapcsoláskor.

A csatornatisztító legfeljebb 60 cm-es távolságra helyezze el a csatorna nyílásától. Ha a csatornatisztítót nem lehet két láb (kb. 60 cm) távolságon belül elhelyezni a csatorna nyílásától, akkor a nyílás méretét meg kell növelni hasonló méretű cső és szerelvények segítségével. Nagyobb távolság esetén a spirál nehezen kontrollálható, megtekeredhet, megtörhet vagy eltörhet.

A spirál be-/ki kapcsolóját egy és ugyanazon személynek kell kezelnie. Ha az eszköz forgása leáll, a felhasználónak ki kell tudnia kapcsolni az eszközt, megakadályozva a kábel esetleges megcsavarodását, összegabalyodását, törését vagy felcsapódását.

A jelen utasításban írt helyzetek kivételével a spirált nem szabad visszafelé forgatni. Az eszköz huzamosabb ideig tartó fordított irányú működtetése a kábel és a tartozékok károsodását idézheti elő.

Mindig megfontoltan járjon el, és legyen körültekintő a szerszámok használata során. Nem lehetséges előre látni minden olyan szituációt, amely veszélyes helyzetet eredményezhet. Ne használja ezt a szerszámot, ha nem értené ezt a használati útmutatót, illetve ha úgy érezné, hogy a munka meghaladja az Ön képességeit; forduljon a Milwaukee Tool munkatársaihoz vagy képzett szakemberhez további információért vagy képzésért.

Ne távolítsa el a címkeket és típusablákat. Ezek a jelzések fontos információkat tartalmaznak. Ha ezek a címkek már nem olvashatók vagy hiányoznak, forduljon a MILWAUKEE ügyfélszolgálatához az ingyenes pótlás érdekében.

FIGYELMEZTETÉS! A homokszórás, fűrészelés, csiszolás, fúrás és más építkezési tevékenységek során rákot, születési rendellenességeket okozó vagy más, reprodukciót károsító hatású vegyi anyagok szabadulhatnak fel. Ilyen anyagok lehetnek például a következők:

- ólombázisú festékből származó ólom
- téglalából, cementből és más kőművesipari termékekből származó kristályos szilícium-dioxid
- vegykezelt faanyagokból származó arzén és króm.

Az ilyen kitétségek kockázata attól függ, hogy Ön milyen gyakorisággal végez ilyen típusú munkát.

Az ilyen vegyi anyagoknak való kitétség csökkentése érdekében: jól szellőző területen és jóváhagyott biztonsági felszerelésekkel dolgozzon, mint például az olyan pormaszkok, amelyeket kifejezetten mikroszkopikus részecskék kiszűrésére fejlesztettek ki.

Használjon védőfelszerelést! Ha a gépen dolgozik, mindig hordjon védőszemüveget! Javasoljuk a védőruházat, úgymint porvédő maszk, védőcipő, erős és csúszásbiztos lábbeli, sisak és hallásvédő használatát.

A munka során keletkező por gyakran egészségre káros, ezért ne kerüljön a szervezetbe! Hordjon e célra alkalmas porvédőmaszkot.

Nem szabad olyan anyagokat megmunkálni, amelyek egészségre veszélyesek (pl. azbesztest).

A betétszerszám elakadásakor azonnal ki kell kapcsolni a készüléket! Addig ne kapcsolja vissza a készüléket, amíg a betétszerszám elakadása fennáll; ennek során nagy ellennyomatéku visszarúgás történhet. Határozza és szüntesse meg a betétszerszám elakadásának okát a biztonsági útmutatások betartása mellett.



Karbantartás, javítás, tisztítás, stb. előtt az akkumulátort ki kell venni a készülékből.

A használt akkumulátort ne dobja tűzbe vagy a háztartási személtbe. Tájékoztódn a szakszerű megsemmisítés helyi lehetőségeiről. Az akkumulátort ne tárolja együtt fém tárgyakkal. (Rövidzárlat veszélye).

Akkumulátor sav folyhat a sérült akkumulátorból extrém terhelés alatt, vagy extrém hő miatt. Ha az akkumulátor sav a bőrére kerül azonnal mossa meg szappanos vízzel. Szembe kerülés esetén folyóvíz alatt tartsa a szemét minimum 10 percig és azonnal forduljon orvoshoz.

A rövidzárlat általi tűz, sérülések vagy termékkárosodások veszélye elkerülésére ne merítse a szerszámot, a cserélhető akkut vagy a töltőkészüléket folyadékba, és gondoskodjon arról, hogy ne hatoljanak folyadékok a készülékekbe és az akkuba. A korrózió hatású vagy vezetőképes folyadékok, mint pl. a sós víz, bizonyos vegyi anyagok, fehérítők vagy fehérítő tartalmú termékek, rövidzárlatot okozhatnak.

Az M18 elnevezésű rendszerhez tartozó akkumulátorokat kizárólag a rendszerhez tartozó töltővel tölts fel. Ne használjon más rendszerbe tartozó töltőt.

Az akkumulátort, töltőt nem szabad megbontani és kizárólag száraz helyen szabad tárolni. Nedvességtől óvni kell.

FIGYELMEZTETÉS

 Az eszköz lítium gombelemeket tartalmaz. Az új vagy használt elem akár 2 órán belül súlyos belső égési sérülést okozhat és halálhoz vezethet, ha lenyelik vagy ha a testbe kerül. Mindig rögzítse az elemtartó fedelét. Ha a fedél nem zár stabilan, akkor állítsa le az eszközt, vegye ki az elemet és tartsa gyermekek által nem hozzáférhető helyen. Azonnal hívjon orvost, ha úgy véli, hogy valaki lenyelte az elemet vagy más módon a testébe került.

RENDELTESSZERŰ HASZNÁLAT

A szekcionált csatornatisztító gép a konyhában, a fürdőszobában és a mosóhelyiségben található másodlagos csatornavezetékek tisztítására használatos eszköz.

ONE-KEY™

A szerszám ONE-KEY funkciójához további információ a mellékelt gyorsindítási útmutatóban vagy az interneten található: <http://www.milwaukeekeetool.com/one-key>.

A ONE-KEY alkalmazás az App Store-ból vagy a Google Play-ből tölthető le. A vizsgálati eredmény teljesíti az EN 301 489-1 / EN 301 489-17 szerinti minimális követelményeinket. Az üzemeltetési útmutatót a felhasználói kézikönyvben biztosítjuk a vevő számára.

ONE-KEY™ jelzőlámpa	
Folyamatos kék	A vezeték nélküli üzemmód aktív, és a ONE-KEY™ alkalmazáson keresztül konfigurálható.
Villogó kék	Az eszköz aktívan kommunikál a ONE-KEY™ alkalmazással.
Villogó piros	Az eszközök biztonsági zárolás alatt állnak, és ezt a zárolást csak a ONE-KEY™ alkalmazás tulajdonosa oldhatja fel.

AKKUK

A hosszabb ideig üzemlen kívül lévő akkumulátort használat előtt ismételen fel kell tölteni.

50°C feletti hőmérsékletnél csökkenhet az akkumulátor teljesítménye. Kerülje ki a túlzottan meleg helyen vagy napon történő hosszabb idejű tárolást.

A töltő és az akkumulátor csatlakozóit mindig tisztán kell tartani. Az optimális élettartam érdekében használat után az akkukat teljesen fel kell tölteni.

A lehetőleg hosszú élettartamhoz az akkukat feltöltés után ki kell venni a töltőkészülékből.

Az akku 30 napot meghaladó tárolása esetén: Az akkut kb. 27 °C-on, száraz helyen kell tárolni. Az akkut kb. 30-50%-os töltöttségi állapotban kell tárolni. Az akkut 6 havonta újra fel kell tölteni.

LÍTIUM-ION AKKUK SZÁLLÍTÁSA

A lítium-ion akku a veszélyes áruk szállítására vonatkozó törvényi rendelkezések hatálya alá tartoznak.

Az ilyen akku szállításának a helyi, országos és nemzetközi előírások és rendelkezések betartása mellett kell történnie.

A fogyasztók minden további nélkül szállíthatják az ilyen akkukat közúton.

A lítium-ion akku szállítványozási vállalatok általi kereskedelmi célú szállítására a veszélyes áruk szállítására vonatkozó rendelkezések érvényesek. A kiszállítás előkészítését és a szállítást kizárólag megfelelő képzettségű személyek végezhetik. A teljes folyamatnak szakmai felügyelet alatt kell történnie.

A következő pontokat kell figyelembe venni akku szállításakor:

Biztosítsa, hogy a rövidzárlatok elkerülése érdekében az érintkezők védve és szigetelve legyenek. Ügyeljen arra, hogy az akkucsomag ne tudjon elcsúszni a csomagolásból. Tilos sérült vagy kifolyt akkukat szállítani. További útmutatásokért forduljon szállítványozási vállalatához.

AZ AKKUMULÁTOR TÚLTERHELÉS ELLENI VÉDELME

Az akku nagyon nagy áramfelhasználása következtében fellépő túlterhelése esetén – pl. rendkívül magas forgatónyomatékok, a fűró megszorulása, hirtelen leállás vagy rövidzárlat miatt – az elektromos szerszám 5 másodpercen keresztül vibrál, a töltéskijelző villog és az elektromos szerszám magától kikapcsol.

Az újbóli bekapcsoláshoz engedje el a nyomókapcsolót, majd kapcsolja be ismét.

Rendkívüli terheléseknél az akku túlságosan felmelegszik. Ebben az esetben a töltéskijelző minden lámpája addig villog, amíg az akku le nem hűl. Ha a töltéskijelző kialszik, utána tovább lehet dolgozni.

Az ismételt feltöltéshez és aktiváláshoz ekkor dugja az akkut a töltőkészülékbe.

TOVÁBBI TIPPEK A HASZNÁLATHOZ

Vegye figyelembe az ábrákat a normál használat érdekében.

A spirál enyhén előre-hátra mozgatva vezesse be a csőbe, míg a dugulás meg nem szűnik.

MEGJEGYZÉS: Ha a szerszám megszorul, a kapcsolót azonnal el kell engedni.

A megszorult csőtisztító kioldása:

1. Állítsa az Előre/Ki/Vissza kapcsolót „Vissza” állásba, és fordítsa el az előtőló gallért 0. fordulati pozícióba.
2. Húzza vissza a szerszámot hátrafelé forgásirányban néhány centimétert, hogy a spirál kioldódjon.
3. Állítsa le az eszközt.
4. Miután az eszköz teljesen leállt, állítsa vissza az Előre/Ki/Vissza kapcsolót „Előre” állásba.

VIGYÁZAT! A szerszám folyamatosan visszafelé forgással történő üzemeltetése a spirál és a tartozékok sérülését okozhatja.

Ha nehéz átjuttatni a kábelt akadályokon vagy más szerelvényeken, az alábbi módszerek vagy kombinációk használhatók.

1. A kábelre gyakorolt, lefelé irányuló, határozott mozdulat a kábel forgatásával vagy anélkül segít átvezetni a kábelt az akadályon.
2. Az emelőkar kioldásával és a kábel kézi elfordításával meg lehet változtatni a kábelvágó irányát, és ezáltal a kábel könnyebben veszi a szerelvény jelentette akadályt.
3. A kábel lenyomásával működtesse a csatornatisztítót REV (Vissza) irányban, néhány másodpercig. Csak akkor végezze a műveletet nagyon sokáig, ha a kábelt elkezdi átvezetni az akadályon. A fordított irányban történő használat kárt tehet a kábelben.

Ha ezek a módszerek nem vezetnek eredményre, használjon kisebb átmérőjű vagy rugalmasabb kábelt.

A SPIRÁL FELSZERELÉSE

A spirál felszereléséhez kövesse az ábrákat.

FIGYELEM! A spirál nyomás alatt áll, és szerelés közben hirtelen szétgurthat, ami sérülésekhez vezethet. A sérülésveszély minimálisra csökkentése érdekében viseljen védőszemüveget vagy oldalvédős szemüveget.

Mindig bőrcsiztyút viseljen.

Olvassa el az üzemeltetési útmutatót. Használjon megfelelő védőfelszerelést.

A csőtisztító használatakor vegyszerekkel, baktériumokkal, illetve más, maró hatású, mérgező vagy fertőző anyagokkal kerülhet érintkezésbe.

Használat után meleg vízzel és szappannal kell kezét mosni.

KARBANTARTÁS

Karbantartás, javítás, tisztítás, stb. előtt az akkumulátort ki kell venni a készülékből.

Törölje le a kihúzott spirált egy kendővel, majd tolja ismét a dobba.

A csőtisztító tárolása előtt a spirált teljesen ki kell húzni. Tisztítsa meg és lazán tekerje fel a spirált.

Csak Milwaukee tartozékokat és Milwaukee pótalkatrészeket szabad használni. Az olyan elemeket, melyek cseréje nincs ismertette, cseréltesse ki Milwaukee szervizzel (lásd Garancia/Ügyfélszolgálat címei kiadványt).

Szükség esetén a készülékek robbantott ábráját - a készülék típusa és azonosító száma alapján a területileg illetékes TTI márkaszerviztől vagy közvetlenül a gyártótól (Techtronic Industries GmbH, Max-Eyth-Straße 10, 71364 Winnenden, Germany) lehet kérni.

CE-AZONOSSÁGI NYILATKOZAT

Kizárólagos felelőségünk alapján kijelentjük, hogy a „Műszaki adatok” fejezetben leírt termék megfelel a irányelvek összes vonatkozó rendelkezésének:

2011/65/EU (RoHS)
2006/42/EK
2014/30/EU
2014/53/EU
harmonizált szabvány és a
EN 62841-1:2015
EN 62841-3-14:2017
EN 55014-1:2017+A11:2020
EN 55014-2:2015
EN 62479:2010
EN 300 328 V2.2.2
EN 301 489-1 V2.2.3
EN 301 489-17 V3.1.1
EN IEC 63000:2018



Winnenden. 2020-11-17

Alexander Krug / Managing Director
Műszaki dokumentáció összeállításra felhatalmazva
Techtronic Industries GmbH
Max-Eyth-Straße 10, 71364 Winnenden, Germany



SZIMBÓLUMOK



FIGYELEM! FIGYELMEZTETÉSI VESZÉLY!



Kérjük alaposan olvassa el a tájékoztatót mielőtt a gépet használja.



Munkavégzés közben ajánlatos védőszemüveget viselni.



Mindig viseljen – lehetőleg bőrből készült – kesztyűt!



Karbantartás, javítás, tisztítás, stb. előtt az akkumulátort ki kell venni a készülékből.



Azokat a tartozékokat, amelyek gyárilag nincsenek a készülékhez mellékelve, külön lehet megrendelni.



Ne terhelje túl a kábeleket.

A túlterhelés a kábelek esetleges megsavardását, összegubancolódását vagy törését idézheti elő és súlyos sérülést okozhat.



Automatikus előtolás/visszahúzás kiválasztása be



Automatikus előtolás/visszahúzás kiválasztása ki



forgás az óramutató járásával megegyező irányban (előre)



forgás az óramutató járásával ellentétes irányban (vissza)



Az elektromos eszközöket, elemeket/akkukat nem szabad a háztartási hulladékkal együtt ártalmatlanítani. Az elektromos eszközöket és akkukat szelektíven kell gyűjteni, és azokat környezetbarát ártalmatlanítás céljából hulladékhasznosító üzemben kell leadni. A helyi hatóságoknál vagy szakkereskedőjénél tájékozódjon a hulladékudvarokról és gyűjtőhelyekről.



Az eszköz lítium gombaelemeket tartalmaz.

n_0 Üresjáratú fordulatszám

V Feszültség

— — — Egyenáram



Európai megfelelőségi jelölés



Egyesült királyságbeli megfelelőségi jelölés



Ukrán megfelelőségi jelölés



Eurázsiai megfelelőségi jelölés

Tehnični podatki	M18 FSSM
Sekcijski stroj za čiščenje odtokov	
Proizvodna številka	4749 26 02... ... 000001-999999
Napetost izmenljivega akumulatorja	18 V \equiv
Število vrtljajev v prostem teku n_0	0 - 700 min ⁻¹
Bluetooth-Frekvenčni pas (Frekvenčni pasovi)	2402-2480 MHz
Radijsko frekvenco	1,8 dBm
Bluetooth-verzija	4,0 BT signal mode
Hitrost vstavljanja/navijanja maks.	31 cm/s
Velikost kabla za čiščenje odtokov	\varnothing 22 mm (7/8") & \varnothing 32 mm (1 1/4")
Dolžina sekcijskega kabla za čiščenje odtokov	4,5 m
Največja dolžina kabla za čiščenje odtokov	60 m
Priporočeni premer cevi	\varnothing 50 - 200 mm
Dolžina vodilne cevi	3500 mm
Velikost vodilne cevi	\varnothing 50 mm
Teža po EPTA-proceduri 01/2014 (z litij-ionsko baterijo 12,0 Ah)	33,32 kg
Teža brez baterije, kabla za odtok in vodilne cevi	31,75 kg
Teža brez baterije, a z vodilno cevjo	37,55 kg
Priporočena temperatura okolice za obratovanje	-18°C ... +50°C
Priporočeni kompleti akumulatorjev	M18HB...; M18B...
Priporočeni polnilniki	M12-18...; M1418C6
Informacije o hrupnosti	
Vrednosti merjenja ugotovljene ustrezno z EN 62841. Raven hrupnosti naprave ovrednotena z A, znaša tipično:	
Nivo zvočnega tlaka (Nevarnost K=3dB(A))	69,21 dB (A)
Višina zvočnega tlaka (Nevarnost K=3dB(A))	80,21 dB (A)
Nosite zaščito za sluh!	



Slu

OPOZORILO

Raven vibracij, navedena v tehničnem listu, je bila izmerjena ustrezno standardiziranemu merilnemu postopku v EN 62841 in se lahko uporabi za primerjavo orodij med seboj. Primerna je tudi za začasno oceno obremenitve.

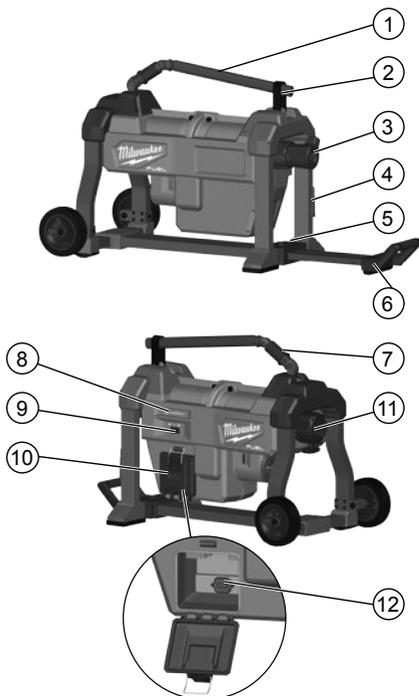
Navedena raven vibracij predstavlja dejanske uporabe orodja. Če pa se orodje uporabi za druge uporabe ali z odstopajočim priborom ali ni zadostno vzdrževano, lahko raven vibracij odstopa. To lahko obremenitev občutno poveča skozi celotno delovno obdobje.

Za natančno oceno obremenitve z vibracijami je treba upoštevati tudi obdobja, v katerih je naprava izklopljena ali sicer dela, vendar se dejansko ne uporablja. To lahko obremenitev občutno zmanjša skozi celotno delovno obdobje.

Določite dodatne varnostne ukrepe za zaščito upravljavca pred učinki vibracij, kot na primer: vzdrževanje električnih orodij in pribora ter organizacija delovnih postopkov.

Nosite zaščito za sluh. Hrup lahko povzroči izgubo sluha.

⚠ OPOZORILO! Preberite vse varnostne napotke, navodila, prikaze in podatke, ki ste jih prejeli skupaj z napravo. Zaradi nespoštovanja spodaj navedenih navodil lahko pride do električnega udara, požara in/ali težkih telesnih poškodb. **Vsa opozorila in napotila shranite, ker jih boste v prihodnje še potrebovali.**



Slovensko

Opis naprave

- | | |
|------------------------------|------------------------------------|
| ① Vzvodna roka | ⑧ Indikator ONE-KEY™ |
| ② Nosilni kavelj | ⑨ Naprej/izklop/obratno |
| ③ Dovodni obroč | ⑩ Vratca za baterijo |
| ④ Kavelj za kabel | ⑪ Priključek za zadnjo vodilno cev |
| ⑤ Gumb za sprostitvev ročaja | ⑫ Predal za baterije ONE-KEY |
| ⑥ Teleskopski ročaj | |
| ⑦ Obroč na vzvodni roki | |

⚠ VARNOSTNA OPOZORILA ČISTILCA CEVI

Med uporabo orodja vedno uporabljajte zadnjo vodilno cev in poskrbite, da se kabel ne izvleče prek zadnje vodilne cevi. To preprečuje sunkovito premikanje kabla, ki lahko povzroči zapletanje in telesne poškodbe.

Čistilec cevi naj se uporablja zgolj za cevi navedenih velikosti. Uporaba čistilca cevi napačne velikosti lahko privede do previjanja, prepogiba ali preloma spirale in poškodb.

Vrtečo se spiralo prijemajte zgolj s strani proizvajalca priporočenimi rokavicami. Rokavice iz lateksa ali ohlapno nameščene rokavice oz. krpe se lahko ovijejo okoli spirale in povzročijo težke poškodbe.

Zagotovite, da se konica spirale ne bo zatikala, medtem ko se spirala vrti. V nasprotnem primeru se spirala lahko preobremeni in se prekomerno previje, prepogne ali prelomi, kar lahko privede do težkih poškodb.

Kadar bi čiščena odtočna cev lahko vsebovala kemikalije, bakterije ali druge toksične snovi oz. bi utegnila vsebovati povzročitelje infekcij, uporabljajte s strani proizvajalca priporočene zaščitne rokavice, rokavice iz lateksa ali gume, kakor tudi zaščitna očala, zaščito obraza, zaščitna oblačila in masko za zaščito dihal. Cevo vodi lahko vsebujejo kemikalije, bakterije ali druge snovi, ki so toksične ali povzročajo infekcije in razjede ali lahko izzovejo druge težke poškodbe.

Upoštevajte higienske predpise. Med uporabo naprave ne jejte in ne kadite. Po delu ali uporabi naprav za čiščenje cevi, je potrebno roke in preostale dele telesa, ki so prišli v stik vsebine cevi zmeraj oprati s toplo vodo in milom. Tako se izognemo zdravstvenim tveganjem zaradi stika s toksičnimi osnovni ali snovmi, ki povzročajo infekcije.

Nadaljna varnostna in delovna opozorila

Med delovanjem orodja držite kabel z roko, na kateri imate rokavico. To zagotavlja boljši nadzor nad kablom in pomaga preprečevati zvijanje, zapletanje ali trganje kabla, kar lahko povzroči hude telesne poškodbe.

Pred uporabo preglejte spiralo glede na sledi obrabe in poškodbe. Obrabljeno ali poškodovano spiralo nadomestite pred uporabo čistilca cevi.

Spirale ne previjete, prepognite ali prekomerno upogibajte. Prelom spirale lahko povzroči težke poškodbe.

Čiščeno cev preglejte pred uporabo naprave. Kolikor je mogoče določite dostopne točke, premer in dolžino cevovoda kakor tudi oddaljenost do glavne napeljave, vrsto zamašitve in prisotnost sredstev za čiščenje cevi ali drugih kemikalij. V kolikor se v odtočni cevi nahajajo kemikalije, je potrebno izvesti ustrezne varnostne ukrepe. Za potrebne informacije se obrnite na proizvajalca kemikalije.

Ne uporabljajte tega orodja, če uporabnik ali orodje stoji v vodi. Uporaba orodja v vodi poveča nevarnost električnega udara.

Delovno območje po potrebi prekrijte. Čiščenje odtočnih cevi je lahko umazano opravilo.

Prepričajte se, da je spirala popolnoma navita. Tako preprečite bicašto udrihanje spirale pri vklopu.

Postavite stroj za čiščenje odtokov na razdaljo največ 60 cm od odprtine odtoka. Če stroja za čiščenje odtokov ni mogoče postaviti na razdaljo največ 60 cm od odprtine odtoka, podaljšajte odprtino odtoka z uporabo podobno velikih cevi in priključnih elementov. Pri večji razdalji je spiralo zelo težko nadzorovati in se lahko previje, prepogne ali prelomi.

Spiralo in stikalo za vklop/izklop naj upravljaja ena in ista oseba. Če se orodje neha vrteti, ga mora uporabnik izklopiti, da prepreči zvijanje, zapletanje, trganje ali sunkovito premikanje kabla.

Z izjemo v teh navodilih navedenih situacij spirale ni dovoljeno vrteti v nasprotno smer. Daljše delovanje orodja v obratni smeri lahko poškoduje kabel in dodatke.

Pri uporabi orodja vedno uporabljajte zdrav razum in bodite previdni. Vseh situacij, ki bi lahko privedle do nevarnega rezultata, ni mogoče predvideti. Tega orodja ne uporabljajte, če ne razumete teh navodil za uporabo ali če menite, da je delo zunaj vaših zmognosti. Za dodatne informacije ali usposabljanje se obrnite na Milwaukee Tool ali usposobljenega strokovnjaka.

Etiket in tipskih tablic ne odstranjujte. Te tablice vsebujejo pomembne informacije. Kadar te oznake niso več berljive ali manjkajo, se obrnite na MILWAUKEE-servisno službo, za prejem brezplačnega nadomestila.

OPOZORILO! Nekaterе vrste prahu, ki nastane zaradi električnega brušenja, žaganja, brušenja, vrtanja in drugih gradbenih dejavnosti, vsebujejo kemikalije, za katere je znano, da povzročajo raka, pirojene okvare ali drugače škodujejo sposobnosti reprodukcije. Nekateri primeri teh kemikalij so:

- svinec iz barve na osnovi svinca
- kristalni silicijev dioksid iz opeke in cementa ter drugih zidanih izdelkov ter
- arzena in kroma iz kemično obdelanega lesa.

Tveganje pri tej izpostavljenosti je različno in odvisno od tega, kako pogosto opravljate to vrsto dela.

Za zmanjšanje izpostavljenosti tem kemikalijam: delajte v dobro prezračevanem prostoru in delajte z odobreno varnostno opremo, kot so maske za zaščito pred prahom, ki so posebej izdelane za filtriranje mikroskopskih delcev.

Uporabite zaščitno opremo. Pri delu s strojem vedno nosite zaščitna očala. Priporočajo se zaščitna oblačila, kot npr. maska za zaščito proti prahu, zaščitne rokavice, trdno in nedrseče obuvalo, čelada in zaščitna za sluh.

Prah, ki nastaja pri delu, je pogosto zdravju škodljiv in naj ne zaide v telo. Nosite ustrezno masko proti prahu.

Obdelava materialov, iz katerih izhaja ogroženost zdravja (npr. azbest), ni dovoljena.

V primeru blokade orodja napravo takoj izklopite! Naprave ponovno ne vklopljajte dokler je orodje blokirano; pri tem bi lahko prišlo do povratnega udara z velikim reakcijskim momentom. Ugotovite in odpravite vzroke blokade orodja ob upoštevanju varnostnih navodil.

Pred vsemi deli na stroji odstranite izmenljivi akumulator.

Izrabiljenih izmenljivih akumulatorjev ne mečite v ogenj ali v gospodinjnske odpadke. Milwaukee nudi okolju prijazno odlaganje starih izmenljivih akumulatorjev; prosimo povprašajte vašega strokovnega trgovca.

Izmenljivih akumulatorjev ne hranite skupaj s kovinskimi predmeti (nevarnost kratkega stika).

Pod ekstremno obremenitvijo ali ob ekstremni temperaturi iz poškodovanega izmenljivega akumulatorja lahko izteka akumulatorska tekočina. Po stiku z akumulatorsko tekočino prizadeto mesto takoj izperite z vodo in milom. Po stiku z očmi takoj najmanj 10 minut dolgo temeljito izpirajte in nemudoma obiščite zdravnika. V izogib, s kratkim stikom povzročene nevarnosti požara, poskodb ali okvar na proizvodu, orodja, izmenljivega akumulatorja ali polnilne naprave ne potaplajte v tekočine in poskrbite, da ne bo prihajalo do vdora tekočin v naprave in akumulatorje. Korozivne ali prevodne tekočine, kot so slana voda, določene kemikalije in belila ali proizvodi, ki le ta vsebujejo, lahko povzročijo kratek stik.

Izmenljive akumulatorje sistema M18 polnite samo s polnilnimi aparati sistema M18. Ne polnite nobenih akumulatorjev iz drugih sistemov.

Izmenljivih akumulatorjev in polnilnih aparatov ne odpirajte in jih hranite samo v suhih prostorih. Zaščitite jih pred mokroto.

OPOZORILO

 Ta naprava ima gumbasto/litijevo baterijo. Nova ali rabljena baterija lahko povzroči hude notranje opekline in povzroči smrt v samo 2 urah, če se pogoltno ali pride v telo na kakšen drug način. Vedno zavarujte pokrov na predelu za baterije. Če se predel ne zapira varno, zaustavite napravo, odstranite baterijo in jo hranite zunaj dosega otrok. Če menite, da je nekdo pogoltnil baterijo ali je prišla v telo na kakšen drug način, takoj poiščite zdravniško pomoč.

UPORABA V SKLADU Z NAMEMBNOSTJO

Sekcijski stroj za čiščenje odtokov je stroj za čiščenje odtokov, ki se uporablja za čiščenje sekundarnih odtoknih cevi, na primer v kuhinjah, kopalnicah in pralnicah.

ONE-KEY™

Več o delovanju ONE-KEY tega orodja najdete na priloženih navodilih za hiter začetek ali obiščite spletno mesto <http://www.milwaukeeool.com/one-key>

Aplikacijo ONE-KEY si lahko snamete na pametni telefon v trgovini App Store ali Google Play. Preizkusni izid izpolnjuje naše minimalne zahteve po EN 301 489-1 / EN 301 489-17. A žakaznikovi dāme prevādzkovē pokyny v uživatel'skej priručke.

Indikator ONE-KEY™	
Sveti modro	Brezžični način je aktiven in pripravljen za konfiguracijo prek aplikacije ONE-KEY™.
Utripa modro	Orodje aktivno komunicira z aplikacijo ONE-KEY™.
Utripa rdeče	Orodje je zaklenjeno zaradi varnosti. Odklene ga lahko lastnik prek aplikacije ONE-KEY™.

AKUMULATORJI

Izmenljive akumulatorje, ki jih daljši čas niste uporabljali, pred uporabo naknadno napolnite.

Temperatura nad 50°C zmanjšuje zmogljivost izmenljivega akumulatorja. Izogibajte se daljšemu segrevanju zaradi sončnih žarkov ali gretja.

Pazite, da ostanete priključni kontakti na polnilnem aparatu in izmenljivem akumulatorju čisti.

za optimalno življenjsko dobo je potrebno akumulatorje po uporabi do konca napolniti.

Za čim daljšo življenjsko dobo naj se akumulatorji po napolnitvi vzamejo ven iz naprave za polnjenje.

Pri skladiščenju akumulatorjev dalj kot 30 dni: Akumulator skladiščiti pri 27°C in na suhem. Akumulator skladiščiti pri 30%-50% stanja polnjenja. Akumulator spet napolniti vsakih 6 mesecev.

TRANSPORT LITIJ-IONSКИH AKUMULATORJEV

Litij-ionski akumulatorji so podvrženi zakonskim določbam transporta nevarnih snovi.

Transport teh akumulatorjev se mora izvajati upoštevajoč lokalne, nacionalne in mednarodne predpise in določbe.

Potrošniki lahko te akumulatorje še nadalje transportirajo po cesti. Komercialni transport litij-ionskih akumulatorjev s strani špediterskih podjetij je potrjen določbam transporta nevarnih snovi. Priprava odpreme in transporta se lahko vrši izključno s strani ustrezno izšolanih oseb. Celoten proces je potrebno strokovno spremljati.

Pri transportu akumulatorjev je potrebno upoštevati sledeče točke: V izogib kratkim stikom zagotovite, da bodo kontakti zaščiteni in izolirani. Bodite pozorni na to, da paket akumulatorja v notranjosti embalaže ne bo mogel zdrsniti. Poškodovanih ali iztekajočih akumulatorjev ni dovoljeno transportirati. Za nadaljnja navodila se obrnite na vaše špeditersko podjetje.

ZAŠČITA PREOBREMENITVE AKUMULATORJA

V primeru preobremenitve akumulatorja zaradi visoke porabe toka, npr. ekstremno visokih vrtilnih momentov, nenadne zaustavitve ali kratkega stika, električno orodje 5 sekund vibrira, prikazovalnik polnjenja utripa, električno orodje pa se samodejno izklopi.

Za ponoven vklop izpustite pritisno stikalo in nato znova vklopite. Pod ekstremnimi obremenitvami se akumulator premočno segreva. V tem primeru utripajo vse lučke prikazovalnika polnjenja dokler se akumulator ne ohladi. Za tem, ko prikazovalnik polnjenja ugasne lahko z delom nadaljujemo.

Za ponovno polnitev in aktiviranje akumulatorja ga je potrebno vstaviti v polnilec.

DODATNI NASVETI ZA UPORABO

Upoštevajte prikaze za normalno uporabo.

Spiralo napeljite v cev z rahlim premikanjem naprej in nazaj, dokler zamašitev ni odstranjena.

OPOZORILO: Kadar orodje blokira, stikalo takoj izpustite.

Sprostitev zablokirane čistilca cevi:

1. Obrnite stikalo Naprej/izklop/obratno v položaj za obratno delovanje in zavrtite dovodni obroč v položaj Vrtenje 0.
2. Orodje potegnite v vzratnem vrtenju nekaj centimetrov nazaj, da sprostite spiralo.
3. Ustavite orodje.
4. Ko se orodje popolnoma ustavi, preklopite stikalo Naprej/izklop/obratno nazaj v položaj za delovanje v smeri naprej.

POZOR! Nprestano obratovanje orodja v vzratni smeri vrtenja lahko privede do poškodbe spirale in pribora.

Če imate težave pri potiskanju kabla skozi sifon ali drug element, lahko uporabite naslednje metode ali kombinacijo metod.

1. Pri potiskanju kabla skozi sifon si lahko pomagate s sunkovitimi potiski navzdol na kabel (z vrtenjem kabla in brez vrtenja kabla).
2. Z ročnim vrtenjem kabla pri sprošeni vzvodni roki lahko spremenite usmerjenost rezila za lažje premikanje skozi element.
3. Zaženite stroj za čiščenje odtokov za nekaj sekund z vrtenjem v obratni smeri in pri tem pritisnite navzdol na kabel. To počnite samo tako dolgo, dokler se kabel ne začne premikati skozi sifon. Zaradi vrtenja v obratni smeri se lahko kabel poškoduje.



Slo

Če te možnosti ne delujejo, razmislite o uporabi manjšega premera ali bolj upogljivega kabla.

MONTAŽA SPIRALE

Upoštevajte prikaze za montažo spirale.

OPOZORILO! Spirala je pod pritiskom in lahko pri montaži nenadoma svigne naprej, kar lahko privede do poškodb. Nosite zaščitna očala ali očala s stransko zaščito, da omejite tveganje poškodb kolikor je le mogoče.

Zmeraj nosite usnjene rokavice.

Preberite navodila za uporabo. Uporabljajte primerno zaščitno opremo.

Pri uporabi čistilca cevi lahko pridete v stik s kemikalijami, bakterijami ali drugimi jedkimi, toksičnimi ali infekcijskimi snovmi.

Po uporabi si roke umijte s toplo vodo in milom.

VZDRŽEVANJE

Pred vsemi deli na stroji odstranite izmenljivi akumulator.

Prostoležečo spiralo obrišite s krpo in ponovno potisnite v boben.

Pred skladičenjem čistilca cevi, spiralo popolnoma izvezite.

Spiralo očistite in rahlo navijte.

Uporabljajte samo Milwaukee pribor in Milwaukee nadomestne dele. Poskrbite, da sestavne dele, katerih zamenjava ni opisana, zamenjajo v Milwaukee servisni službi (upoštevajte brošuro Garancija aslovi servisnih služb).

Po potrebi se lahko pri vaši servisni službi ali direktno pri Techtronic Industries GmbH naroči eksplozijska risba naprave ob navedbi tipa stroja in številke s tipske ploščice Techtronic Industries GmbH, Max-Eyth-Straße 10, 71364 Winnenden, Germany.

CE-IZJAVA O KONFORMNOSTI

S polno odgovornostjo izjavljamo, da izdelek, opisan pod „Tehnični podatki“ izpolnjuje vse ustrezne določbe direktiv: 2011/65/EU (RoHS)

2006/42/ES

2014/30/EU

2014/53/EU

ter da so bili uporabljeni naslednji harmonizirani standardi

EN 62841-1:2015

EN 62841-3-14:2017

EN 55014-1:2017+A11:2020

EN 55014-2:2015

EN 62479:2010

EN 300 328 V2.2.2

EN 301 489-1 V2.2.3

EN 301 489-17 V3.1.1

EN IEC 63000:2018



Winnenden. 2020-11-17

Alexander Krug / Managing Director

Pooblaščen za izdelavo spisov tehnične dokumentacije.

Techtronic Industries GmbH

Max-Eyth-Straße 10, 71364 Winnenden, Germany

SIMBOLI



POZOR! OPOZORILO! NEVARNO!



Prosimo, da pred uporabo pozorno preberete to navodilo za uporabo.



Pri delu s strojem vedno nosite zaščitna očala.



Zmeraj nosite zaščitne rokavice - po možnosti iz usnja!



Pred vsemi deli na stroji odstranite izmenljivi akumulator.



Oprema – ni vsebovana v obsegu dobave, priporočeno dopolnilo iz programa opreme.



Ne preobremenite kablov.

Zaradi preobremenitve kablov lahko pride do zvijanja, zapletanja ali trganja kabla, kar lahko povzroči hude telesne poškodbe.



Samodejno vstavljanje/izbira navijanja vklopljena



Samodejno vstavljanje/izbira navijanja izklopljena



vrtenje v smeri urnega kazalca (naprej)



vrtenje v nasprotni smeri urnega kazalca (obratno)



Električnih naprav, baterij/akumulatorjev ni dovoljeno odstranjevati skupaj z gospodinjstvi odpadki. Električne naprave in akumulatorje je potrebno zbirati ločeno in za okolju prijazno odstranitev, oddati podjetju za reciklažo. Pri krajevnem uradu ali vašem strokovnem prodajalcu se pozanimajte glede reciklažnih dvorišč in zbirnih mest.



Ta naprava ima gumbasto/litijevo baterijo.

n₀

Število vrtljajev v prostem toku

V

Napetost



Enosmerni tok



Evropska oznaka za združljivost



Britanska oznaka za združljivost



Ukrajinska oznaka za združljivost

001



Evrazijska oznaka za združljivost

Slovensko

Tehnički podaci Sekcijski stroj za čišćenje odvoda	M18 FSSM
Broj proizvodnje	4749 26 02... ... 000001-999999
Napon baterije za zamjenu	18 V \equiv
Broj okretaja praznog hoda n_0	0 - 700 min ⁻¹
Bluetooth-pojas frekvencija (pojasevi frekvencija)	2402-2480 MHz
Radiofrekvencijska snaga	1,8 dBm
Bluetooth-Verzija	4,0 BT signal mode
Brzina izvlačenja / uvlačenja max.	31 cm/s
Veličina spirale za odčepljivanje	\varnothing 22 mm (7/8") & \varnothing 32 mm (1 1/4")
Sekcijska dužina spirale za odčepljivanje	4,5 m
Maks. dužina spirale za odčepljivanje	60 m
Preporučeni promjer cijevi	\varnothing 50 - 200 mm
Dužina pilotne cijevi / vodećeg crijeva	3500 mm
Veličina pilotne cijevi / vodećeg crijeva	\varnothing 50 mm
Težina po EPTA-proceduri 01/2014 (s litij-ionskom baterijom 12,0 Ah)	33,32 kg
Težina bez baterije, spirale za odčepljivanje i vodećeg crijeva.	31,75 kg
Težina bez baterije, no s vodećim crijevom	37,55 kg
Preporučena temperatura okoline za pogon	-18°C ... +50°C
Preporučeni akumulatorski paket	M18HB...; M18B...
Preporučeni punjači	M12-18...; M1418C6
Informacije o buci	
Mjerne vrijednosti utvrđene odgovarajuće EN 62841. A-ocijenjeni nivo buke aparata iznosi tipično:	
Nivo pritiska zvuka (Nesigurnost K=3dB(A))	69,21 dB (A)
Nivo učinka zvuka (Nesigurnost K=3dB(A))	80,21 dB (A)
Nositi zaštitu sluha!	



UPOZORENIE

Vrijednost emisije buke navedene u ovoj tiskanici s uputama je mjerena odgovarajuće jednom u EN 62841 normiranom probnom postupku i može se uporabiti za usporedbu alata jednog s drugim. Ona je prikladna i za privremenu procjenu opterećenja.

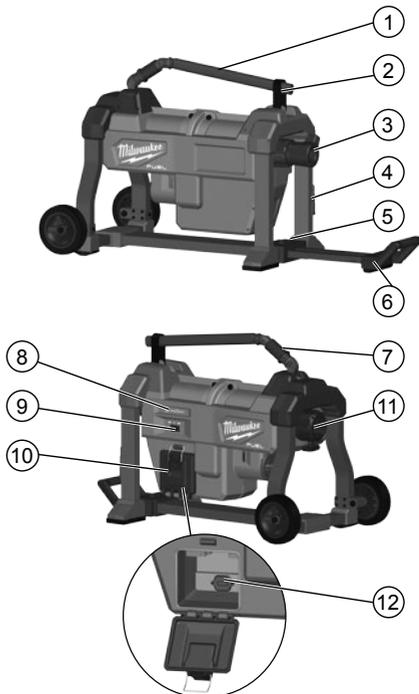
Navedena vrijednost emisije buke prikazuje glavne primjene alata. Ali ako se alat uporabi u druge primjene ili s odstupajućim priborom ili ako se nedovoljno održava, vrijednost emisije buke može odstupati. To može za vrijeme cijelog perioda rada jasno povećati opterećenje.

Za točnu procjenu opterećenja bukom bi se trebala uzeti u obzir i ona vrenama, u kojima je alat isključen ili u stvari radi, ali se faktički ne koristi. To može za vrijeme cijelog perioda rada jasno smanjiti opterećenje.

Utvrđite dodatne sigurnosne mjere za zaštitu poslužioaca od djelovanja buke, kao na primjer: Održavanje alata i pribora i organizacija radnih tokova.

Nosite zaštitu za sluh. Djelovanje buke može uzrokovati gubitak sluha.

⚠ UPOZORENIE! Pročitajte sve sigurnosne upute, napomene, prikaze i podatke koje dobijete uz uređaj. Ako se ne bi pridržavali slijedećih uputa, moglo bi doći do električnog udara, požara i/ili teških ozljeda. **Sačuvajte sve napomene o sigurnosti i upute za buduću primjenu.**



Opis proizvoda

- | | |
|-----------------------------|---|
| ① Poluga | ⑧ Indikator ONE-KEY™ |
| ② Nosiva kuka | ⑨ Rad unaprijed / isključivanje / rad unatrag |
| ③ Obujmica za izvlačenje | ⑩ Poklopac za bateriju |
| ④ Kuka za spiralu | ⑪ Spojnica stražnjeg vodećeg crijeva |
| ⑤ Gumb za otpuštanje ručice | ⑫ ONE-KEY pretinac za baterije |
| ⑥ Teleskopski držak | |
| ⑦ Obujmica poluge | |

▲ SIGURNOSNE UPUTE ZA ČISTAČA CIJEVI

Tijekom rukovanja alatom uvijek se koristite stražnjim vodećim crijevom te osigurajte da se spirala ne proteže duže od stražnjeg vodećeg crijeva. Time se sprječavaju nekontrolirane kretne spirale koje mogu dovesti do zapetljanja i tjelesnih ozljeda.

Čistač cijevi se koristi samo za cijevi sa navedenim veličinama. Uporaba nekog čistača cijevi pogrešne veličine može dovesti do zakretanja, izvijanja ili loma spirale i do ozljeda.

Hvatajte okretajuću spiralu samo s rukavicama preporučanim od strane proizvođača. Rukavice od latexa ili labavo nalijegajuće rukavice odn. marame se mogu omotati oko spirale i prouzročiti teške ozljede.

Uvjerite se, da se za vrijeme okretanja spirale vrh spirale ne zakači. Inače spirala može biti preopterećena i prekomjerno zakrenuta, presavijena ili slomljena, što može dovesti do teških ozljeda.

Ako bi odljeva cijev koja se čisti mogla sadržavati kemikalije, bakterije ili druge toksične supstancije odn. uzročnike infekcije, tada uporabite od proizvođača preporučene zaštitne rukavice od latexa ili gumene rukavice kao i zaštitne naočale, zaštitu lica, zaštitnu odjeću i masku za zaštitu disanja. Cjevovodi mogu sadržavati kemikalije, bakterije ili druge supstancije koje mogu biti toksične ili uzročnici infekcije i koje mogu prouzročiti najedanja ili druge teške ozljede.

Poštujte higijenske propise. Za vrijeme dok koristite ovaj uređaj nemojte jesti i pušiti. Nakon rukovanja ili uporabe uređaja za čišćenje cijevi ruke i ostali dijelovi tijela koji su došli u kontakt sa sadržajem cijevi se moraju uvijek prati toplom vodom i sapunom. Na ovaj način izbjegavate zdravstvene rizike na temelju kontakta s toksičnim tvarima ili tvarima koje su uzročnici infekcija.

Ostale sigurnosne i radne upute

Držite ruku u rukavici na spirali kada god alat radi. Time se osigurava bolja kontrola nad spiralom i sprječava zakretanje, zaplitanje ili lomljenje spirale, što može dovesti do teških tjelesnih ozljeda.

Provjerite spiralu prije uporabe u svezi tragova habanja i oštećenja. Promijenite pohabane ili oštećene spirale prije uporabe čistača cijevi.

Spiralu ne zakrenuti, izvijati, prekomjerno savijati. Lom spirale može prouzročiti teške ozljede.

Inspirirajte cijev koja će se čistiti prije uporabe uređaja. Odredite koliko je moguće pristupne točke, promjer i dužinu cjevovoda kao i udaljenost glavnih vodova, vrstu zapsušenja i postojanje sredstava za čišćenje ili drugih kemikalija. Ako se u odljevanoj cijevi nalaze kemikalije, moraju se donijeti odgovarajuće sigurnosne mjere. Obratite se proizvođaču kemikalije kako bi dobili potrebne informacije.

Nemojte rukovati ovim alatom ako se korisnik ili alat nalaze u vodi. Rukovanje alatom u vodi povećava opasnost od strujnog udara.

Po potrebi prekriti radno područje. Čišćenje odljevnih cijevi može biti jedna prljava stvar.

Uvjerite se da je spirala potpuno namotana. Time izbjegavate bičasto udaranje spirale kod uključivanja.

Postavite spiralu za odčepijvanje na najvećoj udaljenosti od 60 cm od otvora odvoda. Ako se spirala za odčepijvanje ne može postaviti unutar dvije stope (0,60 m) od otvora odvoda, otvor odvoda potrebno je proširiti upotrebom cijevi i elemenata opreme slične veličine. Kod veće udaljenosti spirala se može slabo kontrolirati i može se zakrenuti, izviti ili slomiti.

Spiralu i sklopku Uklj/Isklj mora poslušivati jedna ista osoba. Ako se alat prestane rotirati, korisnik mora biti u stanju isključiti alat kako bi se spriječilo zakretanje, zaplitanje, lomljenje ili nekontrolirano kretanje spirale.

Uz izuzetak situacija navedenih u ovoj uputi, spirala se ne smije okretati unazad. Ako se alat predugo upotrebljava u povratnom načinu rada, može doći do oštećenja spirale i dodatne opreme.

Uvijek postupajte savjesno i oprezno tijekom upotrebe alata. Nije moguće predvidjeti svaku situaciju koja bi mogla imati opasan ishod. Nemojte se koristiti ovim alatom ako ne razumijete ove upute za rad ili ako ste mišljenja da niste sposobni za to; stupite u kontakt s društvom Milwaukee Tool ili educiranim stručnjakom za dodatne informacije ili edukaciju.

Etikete i pločice tipova ne ukloniti. Ove pločice sadrže važne informacije. Ako ove pločice uputa više nisu čitke ili nedostaju, obratite se servisu MILWAUKEE da bi dobili besplatnu zamjenu.

UPOZORENIE! Određena prašina nastala snažnim pjeskarenjem, piljenjem, brušenjem i drugim radnjama sadrži kemikalije koje su poznati uzročnici za rak, nastanak urođenih mana ili druge reproduktivne poteškoće. Određeni primjeri tih kemikalija su sljedeći:

- olovo iz boje na bazi olova
- kristalni silicijev dioksid iz opeka i cementa te drugih zidarskih proizvoda, te
- arsen i krom iz kemijski obrađena drva.

Opasnosti za vas tijekom izloženosti tim kemikalijama variraju ovisno o tome koliko često obavljate ovu vrstu rada.

Kako biste smanjili stupanj izloženosti ovim kemikalijama: radite u dobro prozračenu području i radite s odobrenom zaštitnom opremom kao što su maske za prašinu koje su posebno dizajnirane za filtriranje mikroskopskih čestica.

Upotrebljavati zaštitnu opremu. Kod radova sa strojem uvijek nositi zaštitne naočale. Preporučuje se zaštitna odjeća, kao zaštitna maska protiv prašine, zaštitne rukavice, čvrste i protiv klizanja sigurne cipele, šljem i zaštitu sluha.

Prašina koja nastaje prilikom rada je često nezdrava i ne bi smijela dospjeti u tijelo. Nositi prikladnu zaštitnu masku protiv prašine.

Ne smiju se obrađivati nikakvni materijali, od kojih prijeti opasnost po zdravlje (npr. azbest).

Kod blokiranja alata koji se upotrebljava uređaj molimo odmah isključiti! Uređaj nemojte ponovno uključiti za vrijeme dok je alat koji se upotrebljava blokiran; time može doći do povratnog udara sa visokim reakcijskim momentom. Pronađite i otklonite uzrok blokiranja alata koji se upotrebljava uz poštivanje sigurnosnih uputa.

Prije svih radova na stroju izvaditi bateriju za zamjenu.

Istrošene baterije za zamjenu ne bacati u vatru ili u kućno smeće. Milwaukee nudi mogućnost uklanjanja starih baterija odgovarajuće



okolini. Milwaukee nudi mogućnost uklanjanja starih baterija odgovarajuće okolini; upitajte molimo Vašeg stručnog trgovca. Baterije za zamjenu ne čuvati skupa sa metalnim predmetima (opasnost od kratkog spoja).

Pod ekstremnim opterećenjem ili ekstremne temperature može iz oštećenih baterija iscureti baterijska tekućina. Kod dodira sa baterijskom tekućinom odmah isprati sa vodom i sapunom. Kod kontakta sa očima odmah najmanje 10 minuta temeljno ispirati i odmah potražiti liječnika.

Zbog izbjegavanja opasnosti od požara jednim kratkim spojem, opasnosti od ozljeda ili oštećenja proizvoda, alat, izmjenjivi akumulator ili napravu za punjenje ne uronjavati u tekućine i pobrinite se za to, da u uređaje ili akumulator ne prodiru nikakve tekućine. Korozirajuće ili vodljive tekućine kao slana voda, određene kemikalije i sredstva za bijeljenje ili proizvodi koji sadrže sredstva bijeljenja, mogu prouzročiti kratak spoj.

Baterije sistema M18 puniti samo sa uređajem za punjenje sistema M18. Ne puniti baterije iz drugih sistema.

Baterije za zamjenu i uređaje za punjenje ne otvarati i čuvati ih samo u suhim prostorijama. Čuvati protiv vlage.

UPOZORENIE

 Uređaj sadrži gumbaste litijeve baterije. Nova ili korištena baterija mogu prouzročiti teške unutarnje opekotine i smrt u samo dva sata ako se progutaju ili uđu u tijelo. Uvijek pazite na to da je baterijski pretnac prekriven. Ako nije dobro zatvoren, zaustavite uređaj i uklonite bateriju te ju držite izvan dohvata djece. Ako mislite da je netko progutao bateriju ili da je ona na drugi način ušla u tijelo, zatražite liječnički savjet.

PROPIJANA UPOTREBA

Seckijski stroj za čišćenje odvoda upotrebljava se za čišćenje sekundarnih odvodnih vodova poput onih u kuhinjama, kupaonicama i spremištima.

ONE-KEY™

Kako biste više saznali o ONE-KEY funkcionalnosti ove alatke, pročitajte priloženu uputu za brzi početak ili nas posjetite na internetu na <http://www.milwaukeeool.com/one-key>

Aplikaciju ONE-KEY možete preuzeti na vaš pametni telefon preko App Store ili Google Play. Rezultat ispitivanja ispunjava naše najmanje zahtjeve po EN 301 489-1 / EN 301 489-17. I dostavit ćemo smjernice za uporabu kupcu u uputstvu za uporabu.

Indikator ONE-KEY™	
Trajno plavo	Bežični način rada aktivan je i spreman za konfiguraciju putem aplikacije ONE-KEY™.
Treperi plavo	Alat aktivno komunicira s aplikacijom ONE-KEY™.
Treperi crveno	Alat je zaključan zbog sigurnosnih razloga, a vlasnik ga može otključati putem aplikacije ONE-KEY™.

BATERIJE

Baterije koje duže vremena nisu korištene, prije upotrebe napuniti. Temperatura od preko 50°C smanjuje učinak baterija. Duže zagrijavanje od strane sunca ili grijanja izbjeci.

Priključne kontakte na uređaju za punjenje i baterijama držati čistima.

Za optimalni vijek trajanja se akumulatori poslije upotrebe moraju sasvim napuniti.

Za što moguće duži vijek trajanja, akumulatori se nakon punjenja moraju odstraniti iz punjača.

Kod skladištenja akumulatora duže od 30 dana: Akumulator skladištiti na suhom kod ca. 27°C. Akumulator skladištiti kod ca. 30%-50% stanja punjenja. Akumulator ponovno napuniti svakih 6 mjeseci.

TRANSPORT LITIJSKIH IONSKIH BATERIJA

Litijske-ionske baterije spadaju pod zakonske odredbe u svezi transporta opasne robe.

Prijevoz ovih baterija mora uslijediti uz poštovanje lokalnih, nacionalnih i internacionalnih propisa i odredaba.

Korisnici mogu bez ustručavanja ove baterije transportirati po cestama.

Komercijalni transport litijsko-ionskih baterija od strane transportnih poduzeća spada pod odredbe u transportu opasne robe. Otpremničke priprepe i transport smiju izvoditi isključivo odgovarajuće školovane osobe. Kompletni proces se mora pratiti na stručan način.

Kod transporta baterija se moraju poštivati sljedeće točke:

Uvjerite se da su kontakti zaštićeni i izolirani kako bi se izbjegli kratki spojevi. Pazite na to, da blok baterija unutar pakiranja ne može proklizavati. Oštećene ili iscurjele baterije se ne smiju transportirati. U svezi ostalih uputa obratite se vašem prijevoznom poduzeću.

ZAŠTITA OD PREEPTEREĆENJA AKUMULATORA

Kod preopterećenja akumulatora kroz vrlo visoku potrošnju struje, npr. ekstremno visoki zakretni momenti, električni alat vibrira za vrijeme od 5 sekundi, pokazivač punjenja treperi i električni alat se samostalno isključuje.

Za ponovno uključivanje isпустiti otkidač sklopke i zatim ponovno uključiti.

Pod ekstremnim opterećenjima se akumulator prejako zagrije. U tome slučaju trepere sve lampice pokazivača punjenja, sve dok se akumulator ne ohladi. Poslije gašenja pokazivača punjenja se može nastaviti sa radom.

Akumulator zatim utaknuti u punjač kako bi se ovaj ponovno napunio i zatim aktivirao.

DODATNI SAVJETI ZA UPORABU

Poštivajte slike za normalnu uporabu.

Uvedite spiralu u cijev laganim pokretom naprijed-nazad, sve dok zapušenje nije odstranjeno.

UPUTA: Ako alat blokira, sklopku odmah isпустiti.

Popuštanje jednog blokiranog čistača cijevi:

1. Okrenite prekiđač za rad unaprijed / isključivanje / rad unatrag u položaj za rad unatrag i rotirajte objumicu za izvlačenje u položaj Spin 0 (Okretanje 0).
2. Alat u natražnoj vrtnji za nekoliko centimetara povući nazad kako bi se spirala popustila.
3. Zaustavite alat.
4. Nakon što alat dospije u stanje punog mirovanja, prebacite prekiđač za rad unaprijed / isključivanje / rad unatrag ponovno u položaj za rad unaprijed.

OPREZ! Neprestani rad alata u natražnoj vrtnji može dovesti do oštećenja spirale i pribora.

Ako s teškoćom provlačite spiralu kroz poklopac ili drugi otvor, možete upotrebljavati sljedeće metode ili kombinacije metoda.

1. Snažno guranje spirale prema dolje, kako sa tako i bez rotirajuće spirale, može pomoći provesti spiralu kroz otvor.



2. Kada je poluga otpuštena, ručno rotiranje spirale može promijeniti usmjerenje rezača kako bi mogao jednostavnije proći kroz otvor.
3. Pustite stroj za čišćenje odvoda da radi u povratnoj rotaciji REV na nekoliko sekundi i istovremeno pritisnite spiralu prema dolje. Radite to samo u mjeri potrebnoj da spirala prođe kroz otvor. Puštanje spirale da se vrti unatrag može oštetiti spiralu.

Ako ove metode ne uspiju, razmotrite upotrebu spirale manjeg promjera ili fleksibilniju spiralu.

MONTAŽA SPIRALE

Poštivati slike u svezi montaže spirale.

UPOZORENJE! Spirala stoji pod tlakom i može kod montaže odjednom izbiti, što može dovesti do ozljeda. Nosite zaštitne naočale sa postraničnom zaštitom, da bi se rizik ozljeđivanja sveo na najmanju moguću mjeru.

Nosite uvijek kožne rukavice.

Pročitajte uputu za posluživanje. Uporabite prikladnu zaštitnu opremu.

Kod primjene čistača cijevi možete doći u dodir s kemikalijama, bakterijama i drugim nagrizajućim, toksičnim ili infektivnim supstancijama.

Ruke nakon uporabe čistiti toplom vodom i sapunom.

ODRŽAVANJE

Prije svih radova na stroju izvaditi bateriju za zamjenu.

Slobodno ležeću spiralu obristati jednom krpom i ponovno ugurati u bubanj.

Prije skladištenja čistača cijevi, spiralu sasvim izvući. Spiralu očistiti i labavo namotati.

Primijeniti samo Milwaukee opremu i Milwaukee rezervne dijelove. Sastavne dijelove, čija zamjena nije opisana, dati zamijeniti kod jedne od Milwaukee servisnih službi (poštivati brošuru Garancija/ Adrese servisa).

Po potrebi se može zatražiti crtež eksplozije aparata uz davanje podataka o tipu stroja i desetoznamenkastog broja na pločici snage kod Vaše servisne službe ili direktno kod Techtronic Industries GmbH, Max-Eyth-Straße 10, 71364 Winnenden, Germany.

CE-IZJAVA KONFORMNOSTI

Izjavljujemo pod vlastitom odgovornošću da proizvod opisan u odjeljku „Tehnički podaci“ ispunjava sve potrebne odredbe smjernica:

2011/65/EU (RoHS), 2006/42/EC, 2014/30/EU, 2014/53/EU

i da su korišteni sljedeći usklađeni standardi

EN 62841-1:2015

EN 62841-3-14:2017

EN 55014-1:2017+A11:2020, EN 55014-2:2015

EN 62479:2010

EN 300 328 V2.2.2

EN 301 489-1 V2.2.3

EN 301 489-17 V3.1.1

EN IEC 63000:2018



Winnenden. 2020-11-17

Alexander Krug / Managing Director

Ovlašten za formiranje tehničke dokumentacije.

Techtronic Industries GmbH

Max-Eyth-Straße 10, 71364 Winnenden, Germany

SIMBOLI



PAŽNJA! UPOZORENJE! OPASNOST!



Molimo da pažljivo pročitate uputu o upotrebi prije puštanja u rad.



Kod radova na stroju uvijek nositi zaštitne naočale.



Uvijek nositi zaštitne rukavice - uglavnom kožne!



Prije svih radova na stroju izvaditi bateriju za zamjenu.



Oprema - u opsegu isporuke nije sadržana, preporučena dopuna iz promograma opreme.



Nemojte prekomjerno istezati spirale.

Prekomjerno istezanje spirala može dovesti do zakretanja, zaplitanja ili lomljenja spirale, što može dovesti do teških tjelesnih ozljeda.



Odabir automatskog izvlačenja / uvlačenja uključen



Odabir automatskog izvlačenja / uvlačenja isključen



okretanje u smjeru kazaljke na satu (naprijed)



okretanje suprotno smjeru kazaljke na satu (natrag)



Elektrouređaji, baterije/akumulatori se ne smiju zbrinjavati skupa sa kućnim smećem. Električni uređaji i akumulatori se moraju skupljati odvojeno i predati na zbrinjavanje primjereno okolišu jednom od pogona za iskorišćavanje. Raspitajte se kod mjesnih vlasti ili kod stručnog trgovca u svezi gospodarstva za recikliranje i mjesta skupljanja.



Uređaj sadrži gumbaste litijeve baterije.

n₀

Broj okretaja praznog hoda

V

Napon



Istosmjerna struja



Europski znak suglasnosti



Britanski znak suglasnosti



Ukrajinski znak suglasnosti

001



Euroazijski znak suglasnosti

Hrvatski

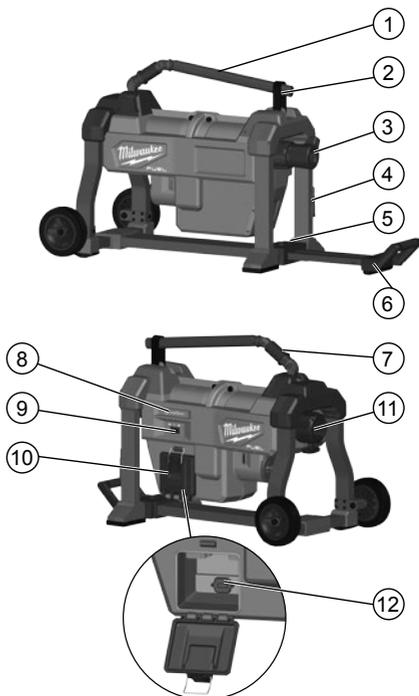
Tehniskie dati	M18 FSSM
Lokālā notekcauruļu tīrīšanas iekārta	
Izlaides numurs	4749 26 02... ... 000001-999999
Akumulātorā spriegums	18 V ⁻⁻⁻
Tukšgaitas apgriezību skaits n_0	0 - 700 min ⁻¹
Bluetooth frekvenču josla (frekvenču joslas)	2402-2480 MHz
Signāla jauda	1,8 dBm
Bluetooth versija	4,0 BT signal mode
Padeve / atvilkšanas ātrums maksimālais	31 cm/s
Notekcauruļu tīrīšanas kabeļa izmērs	ø 22 mm (7/8") & ø 32 mm (1 1/4")
Notekcauruļu tīrīšanas lokālā kabeļa garums	4,5 m
Notekcauruļu tīrīšanas kabeļa maksimālais garums	60 m
Ieteicamais caurules diametrs	ø 50 - 200 mm
Pievadcaurules / virzošās šļūtenes garums	3500 mm
Pievadcaurules / virzošās šļūtenes izmērs	ø 50 mm
Svars atbilstoši EPTA - Procedure 01/2014 (ar litija jonu akumulatoru 12,0 Ah)	33,32 kg
Svars bez akumulatora, notekcauruļu kabeļa un virzošās šļūtenes.	31,75 kg
Svars bez akumulatora, bet ar virzošo šļūteni	37,55 kg
Darbībai ieteicamā apkārtnes temperatūra	-18°C ... +50°C
Ieteicamie akumulatoru komplekti	M18HB...; M18B...
Ieteicamās uzlādes ierīces	M12-18...; M1418C6
Trokšņu informācija	
Vērtības, kas noteiktas saskaņā ar EN 62841. A novērtētās aparātūras skaņas līmenis ir:	
Trokšņa spiediena līmenis (Nedrošība K=3dB(A))	69,21 dB (A)
Trokšņa jaudas līmenis (Nedrošība K=3dB(A))	80,21 dB (A)
Nēsāt trokšņa slāpētāju!	



UZMANĪBU

Šajā piezīmju lapā norādītā trokšņu emisijas vērtība atbilst EN 62841 norādītajā pārbaudes procesā izmērtajai vērtībai un to var izmantot instrumentu savstarpējam salīdzinājumam. Tas ir piemērots arī sākotnējam slodzes novērtējumam. Norādītā trokšņu emisijas vērtība atbilst instrumenta paredzētajam izmantošanas mērķim. Taču trokšņa emisijas vērtība var mainīties, ja instruments tiek izmantots citiem mērķiem, ar neatbilstošiem piederumiem, vai tad, ja nav veikta atbilstoša apkope. Šādi var ievērojami palielināties kopejā darba laika slodze. Lai nodrošinātu precīzu trokšņa slodzes novērtējumu, jāņem vērā arī laiks, kurā instruments ir izslēgts, vai arī darbojas, bet netiek izmantots. Tas var ievērojami samazināt kopejā darba laika slodzi. Veiciet papildu drošības pasākumus lietotāja aizsardzībai pret troksni, piemēram: nodrošinot instrumenta un piederumu apkopi, kā arī organizējot darba procesu. Nēsājiet ausu aizsargus. Trokšņa iedarbība var izraisīt dzirdes zudumu.

⚠ UZMANĪBU! Izlasiet visus drošības norādījumus, instrukcijas, attēlus un datus, ko saņemat kopā ar ierīci. Turpmāk sniegto norādījumu neievērošana var kļūt par cēloni elektriskajam triecienam, ugunsgrēkam un/vai smagam savainojumam. **Pēc izlasīšanas uzglabājiet šos noteikumus turpmākai izmantošanai.**



lerices apraksts

- ① Sviras plecs
- ② Pārvietošanas āķis
- ③ Padeves ieliktnis
- ④ Kabeļa āķis
- ⑤ Roktura atlaišanas poga
- ⑥ Teleskopiskais rokturis
- ⑦ Sviras pleca ieliktnis
- ⑧ ONE-KEY™ indikators
- ⑨ Uz priekšu/“Izslēgts”/“Atpa kalgaitā”
- ⑩ Akumulatora nodalījuma vāciņš
- ⑪ Aizmugurējās virzošās caurules savienojums
- ⑫ ONE-KEY akumulatora nodalījuma durtiņas

▲ DROŠĪBAS NORĀDES LIETOJOT CAURUĻU TĪRĪTĀJU

Strādājot ar iekārtu, vienmēr lietojiet aizmugurējo virzošo slūteni, un pārliecinieties, ka kabelis nav garāks par aizmugurējo virzošo slūteni. Tādējādi nenotiks kabeļa patvaļīga kustība, kuras dēļ kabelis varētu sapīties un radīt traumas lietotājam.

Cauruļu tīrīšanas iekārtu drīkst izmantot tikai tādām caurulēm, kuru izmērs atbilst iekārtas specifikācijai. Izmantojot cauruļu tīrīšanas iekārtu nepiemērota izmēra caurulēm, spirālē var sapīties, ielocīties vai pārlūst, tādējādi radot nopietnus ievainojumus.

Pieskarties rotoļošanai spirālei drīkst tikai ar ražotāja ieteiktajiem cimdium. Lateksa un brīvi pieguļoši cimdi vai dvieļi var aptīties ap spirāli, tādējādi radot nopietnus ievainojumus.

Griežoties spirālei, jāgriežas arī spirālēs galam. Pretējā gadījumā spirāle var tikt pārslodota un sagriezties pārāk daudz, salocīties vai nolūst, tādējādi radot nopietnus ievainojumus.

Ja tīrīšanai pakļaujama iekārtā caurulē var atrasties ķīmiskā vielas, baktērijas vai citas toksiskas vielas un infekcijas ierosinātāji, tad zem ražotāja ieteiktajiem aizsargcimdium valkājiet arī lateksa vai gumijas cimdus, kā arī lietojiet aizsargbrilles, sejas sargu, aizsargājošu apģērbu un elpošanas masku. Cauruļvados var atrasties ķīmiskā vielas, baktērijas vai citas vielas, kas ir toksiskas vai ierosina infekciju un var radīt kairinājumu vai citus nopietnus ievainojumus.

Ievērojiet higiēnas prasības. Iekārtas lietošanas laikā aizliegts ēst un smēķēt. Pēc saskares ar cauruļu tīrīšanas iekārtu vai tās lietošanas, izmantojot siltu ūdeni un ziepes, rūpīgi nomazgājiet rokas un pārējās ķermeņa daļas, kas nonāca saskarē ar cauruļu saturu. Tādējādi iespējams izvairīties no iespējamām veselības problēmām, kas var rasties saskaroties ar toksiskām vai infekciju ierosinošām vielām.

Citas drošības un darba instrukcijas

Iekārtas darbošanās laikā vienmēr turiet kabeli ar cimdium. Tas palīdzēs labāk kontrolēt kabeli un izvairīties no tā sagriešanās, samezģošanās un saplīšanas, kas varētu radīt nopietnas traumas lietotājam.

Pirms izmantošanas pārbaudiet, vai spirālē nav nolietojusies un tai nav radušies defekti. Pirms cauruļu tīrīšanas iekārtas izmantošanas nomainiet nolietoto vai bojāto spirāli.

Spirāli aizliegts sapīt, aizlikt vai pārlieku locīt. Spirālei plīstot, var tikt radīti nopietni ievainojumi.

Pirms iekārtas izmantošanas pārbaudiet tīrāmo cauruļu. Ja vien iespējams, nosakiet caurules pieejas punktu (-s), diametru un garumu, kā arī attālumu līdz galvenajām caurulēm, aizsērējuma veidu, kā arī cauruļu tīrīšanas līdzekļu un citu ķīmiskā vielu klātbūtni caurulēs. Gadījumā, ja notekcaurulē atrodas ķīmiskā vielas, jāveic atbilstoši drošības pasākumi. Lai iegūtu nepieciešamo informāciju, vērsieties pie attiecīgo ķīmiskā vielu ražotāja.

Nelietojiet iekārtu, ja tā vai jūs pats atrodaties ūdenī.

Iekārtas izmantošana ūdenī palielina elektrošoka risku.

Nepieciešamības gadījumā nosedziet darba vietu.

Notekcauruļu tīrīšana var izvērsties ļoti netīra.

Pārliecinieties, lai spirālē būtu pilnībā uzlīta. Tādējādi iespējams novērst spirāles cirtienveida darbību, ieslēdzot iekārtu.

Novietojiet notekcauruļu tīrīšanas iekārtu ne vairāk kā 60 cm attālumā no notekcaurules atveres. Ja notekcauruļu tīrīšanas iekārtu nevar novietot divu pēdu (aptuveni 60 cm) attālumā no notekcaurules atveres, atvere jāpagarina, izmantojot līdzīga izmēra cauruļu un ftingus. Ja attālums būs lielāks, spirāli būs daudz grūtāk kontrolēt un tā var sapīties, salocīties vai salūzt.

Spirāli un ieslēgšanas/izslēgšanas pogu drīkst kontrolēt tikai viena un tā pati persona. Ja iekārtā pārstāj rotēt, lietotājam tā jāizslēdz, lai izvairītos no kabeļa sagriešanās, samezģošanās, sapīšanās vai patvaļīgas kustības.

Izņemot šajā instrukcijā minētos gadījumus, spirāli nedrīkst griezt pretējā virzienā. Iekārtas ilgstoša darbināšana atpakaļgaitā var izraisīt kabeļa un piederumu bojājumus.

Vienmēr rikojieties apdomīgi un uzmanieties, kad izmantojat instrumentus. Nav iespējams paredzēt jebkuru situāciju, kas var izraisīt bīstamu rezultātu. Neizmantojiet šo instrumentu, ja neizprotat tā lietošanas instrukcijas vai jūtat, ka darbs pārsniedz jūsu spējas; sazinieties ar Milwaukee Tool vai apmācītu speciālistu, lai saņemtu papildinformāciju vai apmācību.

Aizliegts noņemt etiķetes un tipa plāksnītes. Tās satur svarīgu informāciju. Ja šīs norādes vairs nav salasāmas vai tās ir pazudušas, vērsieties savā MILWAUKEE klientu atbalsta dienestā, lai bez maksas saņemtu jaunas.

UZMANĪBU! Daži putekļi, ko rada slīpēšana, zāģēšana, urbšana un citi būvdarbi, satur ķīmiskās vielas, kas izraisa vēzi, iedzimtus defektus vai kaite reproduktīvajai veselībai. Daži šo ķīmisko vielu piemēri:

- svins no svina bāzes krāsas
- kristāla silīcijs no kriegēļiem un cementa, kā arī citiem mūrnīcības produktiem, un
- arsēns un hroms no ķīmiski apstrādātās koksnes.

Jūs riski no šīs ekspozīcijas ir dažādi atkarībā no tā, cik bieži veicat šāda veida darbu.

Lai samazinātu jūsu ekspozīciju pret šīm ķīmiskajām vielām: strādājiet labi vēdinātās vietās un ar atbilstoši aizsarglīdzekļiem, kā putekļu maskas, kas ir īpaši paredzētas, lai izfiltrētu mikroskopiskās daļiņas.

Jāizmanto aizsargapriekojumi. Strādājot ar mašīnu, vienmēr jānēsā aizsargbrilles. Ieteicams nēsāt aizsargāpģērbu, kā piemēram, aizsargmasku, aizsargcimdus, kurpes no stingra un neslidīga materiāla, ķiveri un ausu aizsargus.

Putekļi, kas rodas darba gaitā, bieži irkaitīgi veselībai un tiem nevajadzētu nokļūt organismā. Jānēsā piemērota maska, kas pasargā no putekļiem.

Nedrīkst apstrādāt materiālus, kas rada draudus veselībai (piemēram, azbestu).

Ja izmantojamais darba rīks tiek bloķēts, nekavējoties izslēgt ierīci! Neieslēdziet ierīci, kamēr izmantojamais darba rīks ir bloķēts; var rasties atsitēns ar augstu griezes momentu. Noskaidrojiet un novērsiet izmantojamā darba rīka bloķēšanas iemeslu, ievērojot visas drošības norādes.

Pirms mašīnai veikt jebkāda veida apkopes darbus, ir jāizņem arī akumulators.



Lat

Izmantotus akumulatorus nedrīkst mest ugunī vai parastajos atkritumos. Firma Milwaukee piedāvā iespēju vecos akumulatorus savākt apkārtnē vidi saudzējošā veidā; jautājiet specializētā veikalā. Akumulatorus nav ieteicams glabāt kopā ar metāla priekšmetiem (iespējams isslēgums).

Pie ārkārtas slodzes un ārkārtas temperatūrām no bojātā akumulatora var iztect akumulatora šķidrums. Ja nonākat saskarsmē ar akumulatora šķidrumu, saskarsmes vieta nekavējoties jānomazgā ar ūdeni un ziepēm. Ja šķidrums nonācis acīs, acis vismaz 10 min. skalot un nekavējoties konsultēties ar ārstu.

Lai novērstu issavienojuma izraisītu aizdegšanās, savainojumu vai produkta bojājuma risku, neiegremdējiet instrumentu, maināmo akumulatoru vai uzlādes ierīci šķidrumos un rūpējieties par to, lai ierīcēs un akumulatoros neieklejtu šķidrums. Koroziju izraisa arī vadītspējīgi šķidrumi, piemēram, sālsūdens, noteiktas ķīmikālijas, balinātāji vai produkti, kas satur balinātājus, var izraisīt issavienojumu.

M18 sistēmas akumulatorus lādēt tikai ar M18 sistēmas lādētājiem. Nedrīkst lādēt citus akumulatorus no citām sistēmām.

Akumulatorus un lādētājus nedrīkst taisīt vajā un tie jāuzglabā sausās telpās.

UZMANĪBU



Šai ierīci ir pogas/monētas tipa litija baterija. Ja jauna vai lietota baterija tiek norīta vai nonāk ķermenī, tā ar izraisīt smagus iekšējus apdegumus un nāvi ātrāk nekā 2 stundu laikā. Vienmēr nostipriniet baterijas nodalījuma vāciņu. Ja tas droši neaizveras, apturiet ierīci, izņemiet bateriju un noglabāiet bērniem nepieejamā vietā. Ja domājat, ka baterijas ir norītas vai citādi nonākušas ķermenī, nekavējoties meklējiet medicīnisku palīdzību.

NOTEIKUMIEM ATBILSTOŠS IZMANTOJUMS

Lokālo noteikumu tīrīšanas iekārtu var izmantot, lai tīrītu sekundārās noteikmaurules, piemēram, virtuvēs, vannas istabās un saimniecības telpās.

ONE-KEY™

Lai uzzinātu vairāk par šā instrumenta ONE-KEY funkciju, izlasiet pievienoto ātrās palāides instrukciju vai apmeklējiet mūs internetā <http://www.milwaukeeetool.com/one-key>.

ONE-KEY lietotni savā viedtālrunī varat lejupielādēt no App Store vai Google Play. Pārbaudes rezultāts izpilda mūsu minimālās prasības atbilstoši standartam EN 301 489-1 / EN 301 489-17. Lietošanas instrukcijas klientam ir sniegtas lietotāja rokasgrāmatā.

ONE-KEY™ indikators	
Pastāvīgi zils	Bezvadu režīms ir aktīvs, un to var konfigurēt ONE-KEY™ lietotnē.
Mirgojošs zils	Iekārta aktīvi komunicē ar ONE-KEY™ lietotni.
Mirgojošs sarkans	Iekārta ir bloķēta drošībai, un īpašnieks to var atbloķēt ONE-KEY™ lietotnē.

AKUMULĀTORI

Akumulātori, kas ilgāku laiku nav izmantoti, pirms lietošanas jāuzlādē.

Pie temperatūras, kas pārsniedz 50°C, akumulatoru darbība tiek negatīvi ietekmēta. Vajag izvairīties no ilgākas saules un karstuma iedarbības.

Lādētāja un akumulatoru pievienojuma kontakti jāuztur tīri.

Lai baterijas darba ilgums būtu optimāls, pēc iekārtas izmantošanas tā jāuzlādē.

Lai akumulatori kalpotu pēc iespējas ilgāku laiku, tos pēc uzlādes ieteicams atvienot no lādētāj ierīces.

Akumulatora uzglabāšana ilgāk kā 30 dienas: uzglabāt akumulatoru pie aptuveni 27°C un sausā vietā. Uzglabāt akumulatoru uzlādes stāvoklī aptuveni pie 30%-50%. Uzlādēt akumulatoru visus 6 mēnešus no jauna.

LITĪJA JONU AKUMULATORU TRANSPORTĒŠANA

Uz litija jonu akumulatoriem attiecas noteikumi par bīstamo kravu pārvadāšanu.

Šo akumulatoru transportēšana jāveic saskaņā ar vietējiem, valsts un starptautiskajiem normatīvajiem aktiem un noteikumiem.

Patērētāja darbības, pārvadājot šos akumulatorus pa autoceļiem, nav reglamentētas.

Uz litija jonu akumulatoru komerciālu transportēšanu, ko veic ekspedīcijas uzņēmums, attiecas bīstamo kravu pārvadāšanas noteikumi. Sagatavošanas darbus un transportēšanu drīkst veikt tikai atbilstoši apmācīts personāls. Viss process jāveda profesionāli. Veicot akumulatoru transportēšanu, jāievēro:

Pārļiecinieties, ka kontakti ir aizsargāti un izolēti, lai izvairītos no issavienojumiem. Pārļiecinieties, ka akumulatorus iepakojumā nevar pasildēt. Bojātus vai tekošus akumulatorus nedrīkst transportēt. Plašāku informāciju Jūs varat saņemt no ekspedīcijas uzņēmuma.

AKUMULATORA AIZSARDZĪBA PRET PĀRSLOGOJUMU

Akumulatoru pārslogojuma gadījumos, esot ļoti lielam elektroenerģijas patēriņam, piem., ārkārtīgi augsts griezes moments, pēkšņa apstāšanās vai issavienojums, elektriskais darbarīks 5 sekundes vibrē, uzlādes indikators mirgo, un elektriskais darbarīks pats izslēdzas.

Lai to atkal ieslēgtu, atlaidiet ieslēgšanas pogu un tad to ieslēdziet no jauna.

Esot ārkārtīgi augstam noslogojumam, akumulators sakarst pārāk daudz. Šādā gadījumā visas uzlādes indikatora lampiņas mirgo tik ilgi, kamēr akumulators ir atdzisis. Darbu varat turpināt, kad uzlādes indikators vairs nedeg.

Akumulatoru var ievietot lādētājā, lai to atkal uzlādētu un aktivizētu.

PAPILDU PADOMI IEKĀRTAS LIETOŠANĀ

Ievērojiet vizuālās norādes par iekārtas lietošanu.

Ievadiet spirāli caurulē ar vieglām kustībām uz priekšu un atpakaļ, līdz aizsērējums ir likvidēts.

NORĀDE: Ja iekārta nobloķējas, nekavējoties atlaidiet slēdzi.

Nobloķējušās cauruļu tīrīšanas iekārtas atbrīvošana:

1. Ieslēdziet „uz priekšu”/”izslēgt”/”atpakaļgaitā” slēdzi atpakaļgaitas pozīcijā un pagrieziet padeves ieliktni uz Spin 0 (griešanās 0).
2. Pavelciet iekārta dažus centimetrus pretējā griešanās virzienā, lai atbrīvotu spirāli.
3. Apturiet iekārta.
4. Kad iekārta ir pilnībā apstājusies, ieslēdziet „uz priekšu”/”izslēgt”/”atpakaļgaitā” slēdzi pozīcijā „uz priekšu”.

UZMANĪG! Ilgstoša iekārtas darbināšana pretējā griešanās virzienā var sabojāt spirāli un papildpiederumus.

Ja kabeli ir grūti izvilkēt cauri aizsprostojumam vai citam fittingam, var izmantot šādas metodes vai metožu kombinācijas.

1. Lai palīdzētu izvilkēt kabeli cauri aizsprostojumam, veiciet asus, pa kabeli uz leju vērstus grūdienus brīžos, kad kabelis gan rotē, gan nerotē.



2. Atlaižot sviras plecu un pagriežot kabeli ar roku, iespējams mainīt griezēja orientāciju, tādējādi ļaujot kabelim vieglāk iziet cauri fittingam.
3. Darbiniet notekcauruļu tīrītāju REV (atpakaļgaitas) rotācijas režīmā pāris sekundes, tajā pašā laikā piespiežot kabeli. Dariet to tikai tik ilgi, kamēr kabelis iziet cauri aizsprostojumam. Kabeļa darbināšana atpakaļgaitas režīmā var to sabojāt.

Ja šīs metodes nepalīdz, izmantojiet mazāka diametra vai elastīgāku kabeli.

SPIRĀLES MONTĀŽA

Veicot spirāles montāžu, ievērojiet vizuālās norādes.

BRĪDINĀJUMS! Spirāle ir nospriegta un montāžas laikā tā var spēji izlidot ārā, radot ievainojumus. Lai samazinātu savainošanās risku cik vien iespējams, lietojiet aizsargbrilles vai brilles ar sānu aizsargu.

Vienmēr izmantojiet ādas cimdus.

Izlasiet lietošanas instrukciju. Izmantojiet piemērotu drošības ekipējumu.

Lietojot spirāli, iespējams nonākt saskarē ar ķīmiskām, bakteriālām vai citām kodīgām, toksiskām vai inficējošām vielām.

Pēc lietošanas nomazgāj rokas ar siltu ūdeni un ziepēm.

APKOPE

Pirms mašīnai veikt jebkāda veida apkopes darbus, ir jāizņem ārā akumulators.

Noslaukiet brīvi stāvošo spirāli ar drānu un atkal iebidiet trumulī.

Pirms cauruļu tīrīšanas iekārtas uzglabāšanas pilnībā izvelciet spirāli. Spirāli notīriet un valģi uztiņiet.

Izmantojiet tikai firmu Milwaukee piederumus un firmas Milwaukee rezerves daļas. Lieciet nomaiņai detaļas, kuru nomaīņa nav aprakstīta, kādā no firmu Milwaukee klientu apkalpošanas servisiem. (Skat. brošūru „Garantija/klientu apkalpošanas serviss“.)

Ja nepieciešams, klientu apkalpošanas servisā vai tieši pie firmas Techtronic Industries GmbH, Max-Eyth-Straße 10, 71364 Winnenden, Germany, var pieprasīt instrumenta numurs, kas norādīts uz jaudas paneļa.

ATBILSTĪBA CE NORMĀM

Mēs ar pilnu atbildību paziņojam, ka izstrādājums, kas raksturots sadaļā „Tehniskie dati”, atbilst visām attiecīgajām prasībām direktīvās:

2011/65/ES (RoHS), 2006/42/EK, 2014/30/ES, 2014/53/EU un ir piemēroti šādi saskaņotie standarti EN 62841-1:2015

EN 62841-3-14:2017

EN 55014-1:2017+A11:2020

EN 55014-2:2015

EN 62479:2010

EN 300 328 V2.2.2

EN 301 489-1 V2.2.3

EN 301 489-17 V3.1.1

EN IEC 63000:2018



Winnenden. 2020-11-17

Alexander Krug

Alexander Krug / Managing Director
Pilnvarotais tehniskās dokumentācijas sastādīšanā.

Techtronic Industries GmbH
Max-Eyth-Straße 10, 71364 Winnenden, Germany

SIMBOLI



UZMANĪBU! BĪSTAMI!



Pirms sākt lietot instrumentu, lūdz, izlasiet lietošanas pamācību.



Strādājot ar mašīnu, vienmēr jānēsā aizsargbrilles.



Vienmēr izmantojiet cimdus - vēlamās ādas!



Pirms mašīnai veikt jebkāda veida apkopes darbus, ir jāizņem ārā akumulators.



Piederumi - standartapriekojumā neietvertas, bet ieteicamās papildus komplektācijas detaļas no piederumu programmas.



Nepārslogojiet kabeļus.

Kabeļu pārslogošana var izraisīt to sagriešanos, samezģlošanos vai saplīšanu, kas var radīt nopietnas traumas lietotājam.



Automātiskā padeve / atvilkšanas opcija ieslēgta



Automātiskā padeve / atvilkšanas opcija izslēgta



griešanās pulksteņrādītāju kustības virzienā (uz priekšu)



griešanās pretēji pulksteņrādītāju kustības virzienam / atpakaļgaitā)



Elektriskus aparātus, baterijas/akumulatorus nedrīkst izmantot kopā ar mājāsaimniecības atkritumiem. Elektriski aparāti un akumulatori ir jāsavāc atsevišķi un jānodod atkritumu pārstrādes uzņēmumā videi saudzīgai utilizācijai. Jautājiet vietējā iestādē vai savam specializētajam tirgotājam, kur atrodas atkritumu pārstrādes uzņēmumi vai savākšanas punkti.



Šai ierīcei ir pogas/monētas tipa litija baterija.

n₀

Tukšgaitas apgriezienu skaits

V

Voltāža

Līdzstrāva



Eiropas atbilstības zīme



Lielbritānijas atbilstības zīme



Ukrainas atbilstības zīme

001



Eirāzijas atbilstības zīme

Latviski

Techniniai duomenys	M18 FSSM
Nuotekų vamzdinių mašina su sekcijinio tipo lynais	
Produkto numeris	4749 26 02... ... 000001-999999
Keičiamo akumuliatoriaus įtampa	18 V \equiv
Sūkių skaičius laisva eiga n_0	0 - 700 min ⁻¹
„Bluetooth“ radijo dažnių juosta (radijo dažnių juostos)	2402-2480 MHz
radijo dažnių galia	1,8 dBm
„Bluetooth“ versija	4,0 BT signal mode
Tiekimo / ištraukimo greitis maks.	31 cm/s
Kanalizacijos valymo kabelio ilgis	ø 22 mm (7/8") & ø 32 mm (1 1/4")
Kanalizacijos valymo sekcijinio kabelio ilgis	4,5 m
Didžiausias kanalizacijos valymo kabelio ilgis	60 m
Rekomenduojamas vamzdžio diametras	ø 50 - 200 mm
Matavimo vamzdelis / nukreipiamosios žarnos ilgis	3500 mm
Matavimo vamzdelis / nukreipiamosios žarnos dydis	ø 50 mm
Prietaiso svoris įvertintas pagal EPTA 01/2014 tyrimų metodiką (su „Li-Ion“ baterija 12,0 Ah)	33,32 kg
Svoris be baterijos, kanalizacijos kabelio ir nukreipiamosios žarnos.	31,75 kg
Svoris be baterijos, su nukreipiamąja žarna	37,55 kg
Rekomenduojama aplinkos temperatūra eksploatuojant	-18°C ... +50°C
Rekomenduojami akumuliatoriai	M18HB...; M18B...
Rekomenduojami įkrovikliai	M12-18...; M1418C6
Informacija apie keliamą triukšmą	
Vertės matuotos pagal EN 62841. Įvertintas A įrenginio keliamo triukšmo lygis dažniausiai sudaro:	
Garso slėgio lygis (Paklaida K=3dB(A))	69,21 dB (A)
Garso galios lygis (Paklaida K=3dB(A))	80,21 dB (A)
Nešioti klausos apsaugines priemones!	



DĖMESIO

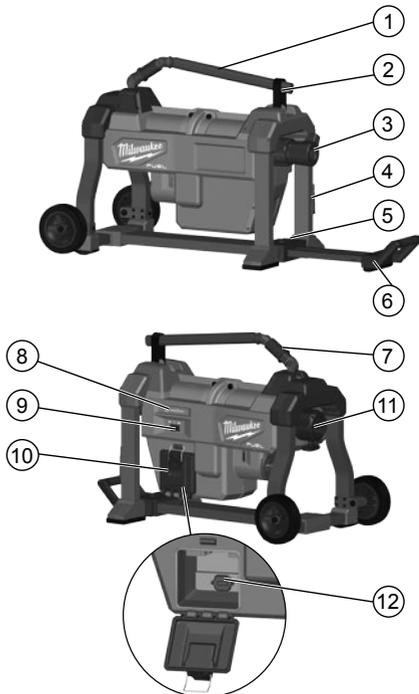
Šioje atmintinėje nurodyta skleidžiamo triukšmo vertė išmatuota laikantis EN 62841 standarte numatytos bandymo procedūros ir gali būti naudojama lyginant įrankius tarpusavyje. Ji tinka ir preliminariam apkrovos įvertinimui.

Nurodyta skleidžiamo triukšmo vertė būdinga pagrindiniams įrankio naudojimui atvejams. Tačiau jei įrankis naudojamas kitokiais būdais arba su kitokiais priedais arba jo techninė priežiūra yra nepakankama, skleidžiamo triukšmo vertė gali būti kitokia. Tai per visą darbinį laikotarpį gali smarkiai padidinti apkrovą.

Norint tiksliai nustatyti triukšmo sukeliamą apkrovą reikėtų įvertinti ir laiką, kai įrankis yra išjungtas arba nors ir veikia, bet faktiškai nėra naudojamas. Per visą darbinį laikotarpį tai gali smarkiai sumažinti apkrovą.

Kad operatorių apsaugotumėte nuo triukšmo poveikio, nustatykite papildomas saugumo priemones, pvz., susijusias su įrankio ir priedų technine priežiūra ir darbo procesų organizavimu. Nešiokite klausos apsaugos priemones. Dėl didelio triukšmo poveikio gali būti pažeidžiama klausos.

⚠ DĖMESIO! Perskaitykite visas saugos nuorodas, instrukcijas, iliustracijas ir duomenis, kuriuos gaunate su prietaisu. Jei nepaisysite toliau pateiktų nuorodų, gali kilti elektros smūgio, gaisro ir /arba sunkių sužalojimų pavojus. **Išsaugokite šias saugos nuorodas ir reikalavimus, kad ir ateityje galėtumėte jais pasinaudoti.**



Jrenginio aprašymas

- | | |
|-------------------------------|---|
| ① Svirties rankena | ⑦ Svirties rankenos žiedas |
| ② Kablyukas nešiojimui | ⑧ ONE-KEY™ rodiklis |
| ③ Tiekimo žiedas | ⑨ Pirmyn / išjungti / atgal |
| ④ Kabelio kablys | ⑩ Baterijos dangtelis |
| ⑤ Rankenos atleidimo mygtukas | ⑪ Baterijos dangtelis |
| ⑥ Teleskopinė rankena | ⑫ VIENO MYGTUKO akumuliatoriaus dangtelis |

⚠ VAMZDŽIŲ VALYMO ĮRENGINIŲ SAUGOS INSTRUKCIJOS

Visada naudokite įrenginio priekinę nukreipiamąją žarną prieš tai įsitikinę, ar kabelis neišsikiša toliau nei priekinė nukreipiamoji žarna. Tai apsaugo nuo kabelio judėjimo, kurio metu jis gali susisukti ir sukelti pavojų sveikatai.

Vamzdzlių valymo prietaisą galima naudoti tik nurodyto dydžio vamzdžiams valyti. Naudojant netinkamo dydžio vamzdzlių valymo prietaisą, spirалė gali persisukti, įtrūkti ar sulūžti ir sukelti sužeidimus.

Sukamąją spirалę suimkite tik mūvėdami gamintojo rekomenduojamas pirštines. Pirštines iš latekso arba laisvai gulinčios pirštines ar audinys gali apsvynioti aplink spirалę ir stipriai sužeisti.

Kol spirалė sukasi stebėkite, kad jos galas niekur neužsikabintų. Kitaip spirалė gali būti perkrauta ir gali persisukti, įtrūkti ar sulūžti, todėl galima sunkiai susižeisti.

Jei valomame nuotekų vamzdyje galėtų būti chemikalų, bakterijų ar kitų toksinių medžiagų ar infekcijų sukėlėjų, mūvėkite gamintojo rekomenduojamas apsaugines pirštines, latekso ar gumines pirštines bei dėvėkite apsauginius akinius, veido apsaugas, apsauginius drabužius ir respiratorijų. Vamzdynuose gali būti chemikalų, bakterijų arba kitokių medžiagų, kurios gali būti toksiškos ar sukelti infekcijas ir nudegimus arba kitokius sunkius sužeidimus.

Laikykites higienos reikalavimų. Naudodami prietaisą nevalgykite ir nerūkykite. Pasinaudojus vamzdzlių valymo prietaisais visada būtina šiltu vandeniu ir muilu nusiplauti rankas ir kitas kūno dalis, kurios lietsis su vamzdzlių turiniu. Taip išvengsite sveikatos sutrikdymo dėl kontakto su toksinėmis arba infekcijoms sukeliančiomis medžiagomis.

Kiti saugumo ir darbo nurodymai

Pirštine apsaugota ranka prilaikykite įjungto prietaiso kabelį. Tai padeda išlaikyti kabelio kontrolę, apsaugo nuo jo persikreipimo, susisukimo ar nutūkimo dėl kurio gali iškilti rimtų pavojų sveikatai.

Prieš naudodami patikrinkite spirалę, ar ji nėra susidėvėjusi ir neturi pažeidimų. Prieš naudodami pakeiskite susidėvėjusią ar pažeistą spyruoklę.

Nepersukite, neįlaužkite ar nesulenkite per stipriai spirалės. Spirалės lūžimas gali sukelti stiprių sužeidimų.

Prieš pradėdami naudoti prietaisą patikrinkite valytiną vamzdį. Jei įmanoma, nustatykite vamzdžio priegios tašką (-us), skersmenį ir ilgį bei atstumą iki pagrindinio kanalizacijos vamzdžio, vamzdžio kamščio pobūdį ir vamzdzlių valymo priemonių ar kitų chemikalų buvimą. Jei nuotekų vamzdyje yra chemikalų, būtina imtis atitinkamų saugumo priemonių. Norėdami gauti reikalingos informacijos apie chemikalą, kreipkitės į jo gamintoją.

Nenaudokite įrenginio, jei jis ar naudotojas stovi vandenyje. Naudojant įrenginį vandenyje padidėja elektros šoko rizika.

Esant poreikiui uždenkite darbo vietą. Nuotekų vamzdzlių valymas gali būti purvinas darbas.

Įsitikinkite, kad spirалė visiškai suvyniota. Taip išvengsite spirалės plakimosi ją įjungiant.

Pastatykite kanalizacijos nuotekų įrenginį ne didesniu kaip 60 cm atstumu nuo šulinio angos. Jei kanalizacijos nuotekų įrenginys negali būti pastatytas 60 cm atstumu nuo šulinio angos, kanalizacijos atidarymo anga turi būti pailginta naudojant panašų vamzdį ar kitą armatūrą. Esant didesniai atstumui spirалę sunku kontroliuoti ir ji gali persisukti, įtrūkti ar sulūžti.

Valdyti spirалę ir ją įjungti ar išjungti turi tas pats asmuo. Jei įrenginys nustoja veikti, naudotojas turi jį išjungti tam, kad apsisaugotų nuo kabelio persikreipimo, susisukimo, nutūkimo ar judėjimo.

Spirалės negalima sukti į priešingą pusę, išskyrus išimtines situacijas, nurodytas šioje instrukcijoje. Ilgą laiką operuojant įrenginį atbuline eiga galimas laido ar kitų priekų žalos pavojus.

Naudodami šį įrenginį, remkitės racionalumu ir elkitės atsargiai. Neįmanoma numatyti visų galimų situacijų, kurios gali sukelti pavojingų pasekmių. Nenaudokite šio įrenginio, jei naudojimo instrukcijos nėra aiškios arba manote, kad darbas neatitinka jūsų pajėgumo; dėl papildomos informacijos ar mokymų susisiekite su „Milwaukee Tool“ arba šios srities profesionalu.

Nepašalinkite etikečių ir duomenų plokštelių. Šiose plokštelėse pateikiama svarbios informacijos. Jei jos tapo neįskaitomos ar jų nebėra, kreipkitės į MILWAUKEE klientų aptarnavimo skyrių ir nemokamai gausite naujas.

DĖMESIO! Kai kurios dulksės sukeltos elektrinio šlifavimo, pjovimo, šlifavimo, gręžimo ir kitų statybos veiklų, turi chemikalų, galinčių sukelti vėžį, apsigimimus ar kitą reprodukcinę žalą. Kai kurie šių chemikalų pavyzdžiai yra:

- švinas iš švino pagrindu pagamintų daiktų
- kristalinis silicis iš plytų ir cemento, ir kitų mūro gaminių; bei
- arsenas ir chromas iš chemiškai apdorotos medienos.

Rizika susijusi su šių chemikalų poveikiu priklauso nuo to, kaip dažnai susiduriama su tokio pobūdžio darbu.

Kad sumažintumėte šių chemikalų keliamą poveikį, dirbkite gerai vėdinamoje patalpoje su saugos reikalavimus atitinkančia įranga, pavyzdžiui, dėvėkite respiratorių, kuris pritaikytas filtruoti mikroskopines dalelytes.

Dėvėkite apsaugines priemones. Dirbdami su mašina visada užsidėkite apsauginius akinius. Rekomenduotina dėvėti apsaugines priemones: apsaugos nuo dulkių respiratorių, apsaugines pirštines, kietus batus neslidžiais padais, šalmą ir klausos apsaugos priemones.

Darbo metu susidarancios dulksės yra dažnai kenksmingos sveikatai ir todėl turėtų nepatekti į organizmą. Dėvėti tinkamą apsauginę kaukę nuo dulkių.

Negalima dirbti medžiagų, dėl kurių galimi sveikatos pažeidimai (pvz., asbesto).

Blokuojant įstatomąjį įrankį būtina išjungti prietaisą! Neįjunkite prietaiso, kol įstatomasis įrankis yra užblokuotas; galimas grįžtamasis smūgis su dideliu sukimo momentu. Atsivėlgdami į saugumo nurodymus, nustatykite ir pašalinkite įstatomojo įrankio blokavimo priežastį.

Prieš atlikdami bet kokius darbus įrenginyje, išimkite keičiamą akumuliatorių.

Sunaudotų keičiamą akumuliatorių nedeginkite ir nemeskite į buitines atliekas. „Milwaukee“ siūlo tausojantį aplinką sudėvėtų keičiamų akumuliatorių tvarkymą, apie tai prekybos atstovai.



Liet

Keičiamų akumuliatorių nelaikykite kartu su metaliniais daiktais (trumpoju jungimo pavojus).

Ekstremalių apkrovų arba ekstremalios temperatūros poveikyje iš keičiamų akumuliatorių gali ištekėti akumuliatoriaus skystis. Išsitiesus akumuliatoriaus skysčiu, tuoj pat nuplaukite vandeniu su muilu. Patekus į akis, tuoj pat ne trumpiau kaip 10 minučių gausiai skalaukite vandeniu ir tuoj pat kreipkitės į gydytoją.

Siekdami išvengti trumpoju jungimo sukkeliamą gaisro pavojaus, sužalojimų arba produkto pažeidimų, neikiškite įrankio, keičiamo akumuliatoriaus arba įkroviklio į skysčius ir pasirūpinkite, kad į prietaisus arba akumuliatorius nepatektų jokių skysčių. Koroziją sukkeliantys arba laidūs skysčiai, pvz., sūrus vanduo, tam tikri chemikalai ir balikliai arba produktai, kurių sudėtyje yra baliklių, gali sukelti trumpąjį jungimą.

Keičiamus M18 sistemos akumuliatorius kraukite tik „M18“ sistemos įkrovikliais. Nekraukite kitų sistemų akumuliatorių.

Keičiamų akumuliatorių ir įkroviklių nelaikykite atvirai. Laikykite tik sausose vietose. Saugokite nuo drėgmės.

DĖMESIO

 Įrenginyje yra mygtuko / tabletės tipo ličio maitinimo elementas. Prarytas ar kaip nors kitaip patekęs į organizmą naujas arba naudotas maitinimo elementas per 2 valandas gali sukelti sunkių vidinių nudegimų ar mirtį. Visada pritvirtinkite maitinimo elemento skyriaus dangtį. Jei dangtis neužsidaro, išjunkite įrenginį, išimkite maitinimo elementą ir padėkite jį vaikams nepasiekiamoje vietoje. Jei manote, kad koks nors asmuo galėjo praryti maitinimo elementą arba jis kaip nors kitaip pateko į organizmą, nedelsdami kreipkitės į gydytoją.

NAUDOJIMAS PAGAL PASKIRTĮ

Nuotekų vamzdžių mašina su sekcijinio tipo lynais yra kanalizacijos valymo mašina, pritaikyta virtuvių, vonios kambarių, buitinių patalpų kanalizacijos linijų valymui.

ONE-KEY™

Kad daugiau sužinotumėte apie šio įrankio ONE-KEY funkcionalumą, perskaitykite pridėdamą greitai pasirengimo darbui instrukciją arba aplankykite mus internete, adresu <http://www.milwaukeeool.com/one-key>.

Jūs galite iš „App Store“ arba „Google Play“ į savo išmanųjį telefoną atsisųsti ONE-KEY programėlę. Bandymų rezultatai atitinka mūsų minimalius reikalavimus pagal EN 301 489-1 / EN 301 489-17. Naudojimo patarimų klientui bus pateikiama naudotojo vadove.

ONE-KEY™ rodiklis	
Nepertraukiami deganti lemputė	Belaidys ryšys yra aktyvus ir pritaikytas ONE-KEY™ išmaniajai programėlei.
Mirksinti mėlyna lemputė	Įrenginys susietas su ONE-KEY™ išmaniaja programėle.
Mirksinti raudona lemputė	Įrenginys apsaugotas užraktu, naudotojas gali jį atrakinti ONE-KEY™ išmaniaja programėle.

AKUMULIATORIAI

Ilgesnį laiką nenaudotus keičiamus akumuliatorius prieš naudojimą įkraukite.

Aukštesnė nei 50°C temperatūra mažina keičiamų akumuliatorių galią. Venkite ilgesnio saulės ar šilumos šaltinių poveikio.

Įkroviklio ir keičiamo akumuliatoriaus jungiamieji kontaktai visada turi būti švarūs.

Kad prietaisas kuo ilgiau veiktų, pasinaudoję juo, iki galo įkraukite akumuliatorius.

Siekiant užtikrinti kuo ilgesnį baterijos tarnavimo laiką, reikėtų ją po atlikto įkrovimo iškart išimti iš įkroviklio.

Bateriją laikant ilgiau nei 30 dienų, būtina atkreipti dėmesį į šias nuorodas: bateriją laikyti sausose aplinkose, esant apie 27 °C temperatūrai. Baterijos įkrovimo lygis turi būti nuo 30% iki 50%. Baterija pakartotinai turi būti įkraunama kas 6 mėnesius.

LIČIO JONŲ AKUMULIATORIŲ PERVEŽIMAS

Ličio jonų akumuliatoriams taikomos įstatyminės nuostatos dėl pavojingų krovinių pervežimų.

Šiuos akumuliatorius pervežti būtina laikantis vietinių, nacionalinių ir tarptautinių direktyvų ir nuostatų.

Naudotojai šiuos akumuliatorius gali naudoti savo transporte be jokių kitų sąlygų.

Už komercinį ličio jonų akumuliatorių pervežimą atsako ekspedicijos įmonė pagal nuostatas dėl pavojingų krovinių pervežimo. Pasiruošimo išsiųsti ir pervežimo darbus gali atlikti tik atitinkamai išmokyti asmenys. Visas procesas privalo būti prižiūrimas.

Pervežant akumuliatorius būtina laikytis šių punktų:

Siekiant išvengti trumpųjų jungimų, įsitikinkite, kad kontaktai yra apsaugoti ir izoliuoti. Atkreipkite dėmesį, kad akumuliatorius pakuotės viduje neslidinėtu. Draudžiama pervežti pažeistus arba tekančius akumuliatorius. Dėl detalesnių nurodymų kreipkitės į savo ekspedicijos įmonę.

APSAUGA NUO AKUMULIATORIAUS PERKROVOS

Esant akumuliatoriaus perkrovai dėl pernelyg didelio srovės suvartojimo, pvz.: itin didelių apsučių, staigus sustabdymo ar trumpoju jungimo, elektrinis įrankis vibruoja 5 sekundes, signalinis įkrovros rodmuo pradeda mirksėti ir elektrinis įrankis automatiškai išsijungia.

Norint įrankį pakartotinai įjungti, reikia atleisti jungiklį ir vėl jį įjungti.

Esant ekstremalioms apkrovoms akumuliatorius per stipriai įkaista. Tokiu atveju visos įkrovros lemputės mirksi taip ilgai, kol akumuliatorius atvėsta. Užgesus įkrovros rodmenims įrankiu galima naudotis toliau.

Tada akumuliatorių reikia įkišti į įkroviklį, kad jis įsikrautų ir veiktų.

KITI PATARIMAI, KAIP NAUDOTI PRIETAISĄ

Atkreipkite dėmesį į schemas apie įprastą naudojimą.

Įveskite spirale į vamzdį ir judinkite ją lengvais judesiais pirmyn ir atgal, kol kamštis pasišalins.

PATARIMAS: jei įsijungia įrankio blokavimo funkcija, iškart paleiskite jungiklį.

Užblokuoto vamzdžių valymo prietaiso atblokavimas:

1. Nustatykite mygtuką pirmyn / išjungti / atgal į padėtį „atgal“ ir atsukite rodyklę į 0 padėtį.
2. Patraukite įrankį kelis centimetrus atgal spiralei sukantis priešinga kryptimi, kad spirale vėl laisvai judėtų.
3. Sustabdykite įrankį.
4. Įrankiui visiškai sustojus, perjunkite mygtuką pirmyn / išjungti / atgal į padėtį „pirmyn“.

ĮSPEJIMAS! Nuolat įjungiant prietaisą atgaline eiga, gali būti pažeista spirale ir kitos dalys.

Toliau išvardinti metodai ar jų kombinacijos gali būti naudojamos kilus sunkumams perkirant kabelį per drenažo vamzdį ar kitą įrangą.



1. Staigūs žemyn nukreipti kabelio stūmimai, tiek naudojant sukamuosius judesius, tiek ir be jų, padeda kabeliui judėti gilyn drenažo vamzdžiais.
2. Atlaisvinus svirties rankeną, pasukus kabelį ranka, galima pakeisti pjautuvo kryptį, taip suteikiant lengvesnio prisitaikymo prie įrangos.
3. Kelioms sekundėms palikite kanalizacijos valymo kabelį nustatytą atgalinėje padėtyje, tuo pat metu jį stumdami žemyn. Darykite tai iki tol, kol perkisite kabelį per drenažo vamzdį. Operuojant kabelį atbuline eiga galima jį pažeisti.

Jei tai nepadaeda, pabandykite naudoti lankstesnį ar mažesnio skersmens kabelį.

SPIRALĖS MONTAVIMAS

Atkreipkite dėmesį į spiralės montavimo schemas.

PERSPĖJIMAS! Spiralė yra suspaudžiama ir ją montuojant gali išsokti, todėl galima susižeisti. Užsidėkite apsauginius akinius arba akinius su šoninėmis apsaugomis, kad kiek įmanoma sumažintumėte riziką susižeisti.

Visada mūvėkite odines pirštines.

Perskaitykite naudojimo instrukciją. Naudokite tinkamas apsaugos priemones.

Naudodami spiralę galite liestis su cheminėmis medžiagomis, bakterijomis arba kitomis esdinančiomis, toksiškomis ar infekcinėmis medžiagomis.

Po darbo rankas nusiplauti šiltu vandeniu ir muilu.

TECHNINIS APTARNAVIMAS

Prieš atlikdami bet kokius darbus įrenginyje, išimkite keičiamą akumuliatorių.

Išorinę spiralę nuvalykite skudurėliu ir vėl įdėkite į būgną.

Prieš sandėliuojant vamzdžių valymo prietaisą, visiškai ištraukite spiralę. Nuvalykite ir laisvai suvyniokite spiralę.

Naudokite tik „Milwaukee“ priedus ir „Milwaukee“ atsargines dalis. Dalis, kurių keitimas neaprašytas, leidžiama keisti tik „Milwaukee“ klientų aptarnavimo skyriams (žr. garantiją/klientų aptarnavimo skyrių adresus brošiūroje).

Jei reikia, nurodant įrenginio tipą bei specifikacijų lentelėje esantį numerį, iš klientų aptarnavimo skyriaus arba tiesiai iš Techtronic Industries GmbH, Max-Eyth-Straße 10, 71364 Winnenden, Germany, galima užsisakyti prietaiso surinkimo brėžinius.

CE ATITIKTIES PAREIŠKIMAS

Prisiimdami visą atsakomybę pareiškiame, kad gaminyje, aprašytas „Techniniuose duomenyse“, atitinka taikomus reikalavimus, išdėstytus direktyvose:

2011/65/ES (RoHS), 2006/42/EB, 2014/30/ES, 2014/53/EU

ir buvo taikyti šie darnieji standartai

EN 62841-1:2015, EN 62841-3-14:2017

EN 55014-1:2017+A11:2020, EN 55014-2:2015

EN 62479:2010

EN 300 328 V2.2.2

EN 301 489-1 V2.2.3, EN 301 489-17 V3.1.1

EN IEC 63000:2018



Winnenden. 2020-11-17

Alexander Krug / Managing Director
Įgaliojotas parengti techninius dokumentus.

Lietuviškai

Techtronic Industries GmbH
Max-Eyth-Straße 10, 71364 Winnenden, Germany

SIMBOLIAI



DĖMESIO! ĮSPĖJIMAS! PAVOJUS!



Prieš pradėdami dirbti su prietaisu, atidžiai perskaitykite jo naudojimo instrukciją.



Dirbdami su įrenginiu visada nešiokite apsauginius akinius.



Visada mūvėkite apsaugines pirštines, pirmenybė teikiama odinėms!



Prieš atlikdami bet kokius darbus įrenginyje, išimkite keičiamą akumuliatorių.



Priedas – neįeina į tiekimo komplektaciją, rekomenduojamas papildymas iš priedų asortimento.



Neperkraukite kabelių.

Perkrauti kabeliai gali sukelti persikreipimo, susisukimo ar nutrūkimo, dėl kurio gali iškilti rimtų pavojų sveikatai.



Automatinis tiekimo / ištraukimo pasirinkimas yra įjungtas



Automatinis tiekimo / ištraukimo pasirinkimas yra išjungtas



sukimas pagal laikrodžio rodyklę (pirmyn)



sukimas prieš laikrodžio rodyklę / atgal)



Elektros prietaisų, baterijų/akumuliatorių šalinti kartu su buitinėmis atliekomis negalima. Elektros prietaisus ir akumuliatorius reikia surinkti atskirai ir atiduoti perdirbimo įmonei, kad būtų pašalinti aplinkai saugiu būdu. Vietos valdžios institucijose arba specializuotose prekybos vietose pasidomėkite apie perdirbimo ir surinkimo centrus.



Įrenginyje yra mygtuko / tabletės tipo ličio maitinimo elementas.

n₀

Sūkių skaičius laisva eiga

V

Įtampa

— — —

Nuolatinė srovė

CE

Europos atitikties ženklas

UK CA

Britanijos atitikties ženklas

U

Ukrainos atitikties ženklas

001 EAC

Eurazijos atitikties ženklas

Tehnilised andmed	M18 FSSM
Kanalisatsioonitorude puhastusmasin	
Tootmisnumber	4749 26 02... ... 000001-999999
Vahetatava aku pinge	18 V \equiv
Pöörlemiskiirus tühijoosul n_0	0 - 700 min ⁻¹
Bluetoothi sagedusriba (sagedusribad)	2402-2480 MHz
Saatevõimsus	1,8 dBm
Bluetoothiga versioon	4,0 BT signal mode
Etteande-/tagasitõmbekiirus max	31 cm/s
Puhastuspiraali suurus	ø 22 mm (7/8") & ø 32 mm (1 1/4")
Puhastuspiraali sektsiooni pikkus	4,5 m
Puhastuspiraali max pikkus	60 m
Toru soovituslik läbimõõt	ø 50 - 200 mm
Piloottoru/juhtvooliku pikkus	3500 mm
Piloottoru/juhtvooliku suurus	ø 50 mm
Kaal vastavalt EPTA-protseduurile 01/2014 (liitumioonakuga 12,0 Ah)	33,32 kg
Kaal ilma akuta, puhastuspiraalita ja juhtvoolikut.	31,75 kg
Kaal ilma akuta, kuid koos juhtvoolikuga	37,55 kg
Soovituslik keskkonna temperatuur töötamiseks	-18°C ... +50°C
Soovituslikud akupakid	M18HB...; M18B...
Soovituslik laadija	M12-18...; M1418C6
Müra andmed	
Mööteväärtused on kindlaks tehtud vastavalt normile EN 62841. Seadme tüüpiline hinnanguline (müratase:	
Helirõhutase (Määramatus $K=3dB(A)$)	69,21 dB (A)
Helivõimsuse tase (Määramatus $K=3dB(A)$)	80,21 dB (A)
Kandke kaitseks kõrvaklappe!	



TÄHELEPANU

Selles infolehes esitatud müraemissiooni väärtus on mõõdetud vastavalt katsemeetodi standardile EN62841 ja seda saab kasutada tööriistade omavaheliseks võrdlemiseks. See sobib ka eelnevas koormuse hindamiseks.

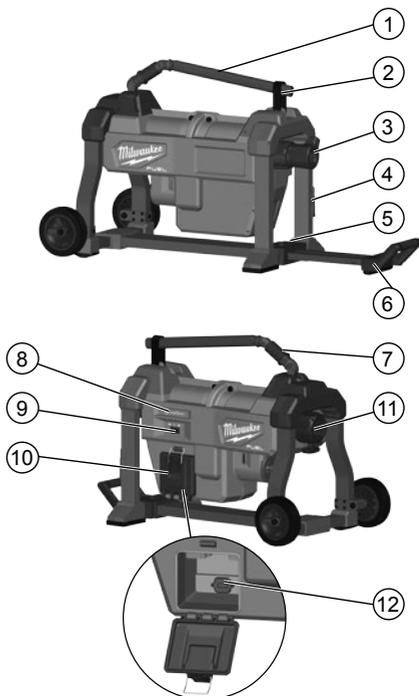
Esitatud müraemissiooni väärtus tähistab tööriista kasutamist peamistel rakendusosaladel. Kui aga tööriista kasutatakse muudel eesmärkidel või koos teiste tarvikutega või kui see on halvasti hooldatud, võib müra väärtus erineda. See võib märkimisväärselt suurendada koormust kogu tööperioodi jooksul.

Mürakoormuse täpseks hindamiseks tuleks arvesse võtta ka aega, mil tööriist on välja lülitatud või küll sisse lülitatud, kuid mitte tegelikus kasutuses. See võib märkimisväärselt vähendada koormust kogu tööperioodi jooksul.

Võtke kasutusele täiendavad ohtutusabinõud operaatori kaitsmiseks müra mõjude eest, nagu näiteks: tööriista ja lisaseadmete hooldus ning tööprotsesside korraldamine.

Kandke kaitseks kõrvaklappe. Müra toime võib põhjustada kuulmiskadu.

⚠ TÄHELEPANU! Lugege kõik seadmega kaasas olevad ohutusjuhised, juhendid, joonised ja andmed läbi. Järgnevalt toodud juhiste eiramise tagajärjeks võib olla elektrilöökoht, tulekahju ja/või rasked vigastused. **Hoidke kõik ohutusnõuded ja juhised edasiseks kasutamiseks hoolikalt alles.**



Seedme kirjeldus

- | | |
|-----------------------|--------------------------------|
| ① Hoob | ⑧ ONE-KEY™ näidik |
| ② Kandekonks | ⑨ Edasi/välja/tagasi |
| ③ Etteandekrae | ⑩ Akukate |
| ④ Kaablikonks | ⑪ Juhtvooliku tagumine ühendus |
| ⑤ Pideme vabastusnupp | ⑫ ONE-KEY akukate |
| ⑥ Teleskoopide | |
| ⑦ Hoovakrae | |

▲ TORUPUHASTAJA OHUTUSJUHISED

Kasutage masina kasutamise ajal alati tagumist juhtvoolikut ning jälgige, et kaabel ei ulatuks üle tagumise juhtvooliku. See takistab spiraali visklemist, mis võib põhjustada kinnijäämist ja vigastusi.

Torupuhastajat tuleb kasutada vaid antud suurusega torude puhul. Vale suurusega torupuhastaja kasutamine võib põhjustada spiraali väändumist, painutamist või purunemist ja tekitada vigastusi.

Haarake pöörlevast spiraalist kinni vaid tootja soovitatud kinnastega. Lateksist või lödvalt käes istuvad kindad või lapid võivad spiraali ümber keerduda ja põhjustada raskeid vigastusi.

Veenduge, et spiraali ots ei jääks spiraali pöörlemise ajal kinni. Vastasel juhul võib spiraal saada ülekoormuse ja liigselt väänduda, painduda või puruneda, mis võib põhjustada tõsisid vigastusi.

Kui puhastatav äravoolutoru võib sisaldada kemikaale, baktereid vms toksilisi aineid või nakkusetekitajaid, siis kasutage tootja soovitatud kaitsekinna lateks- või kummikindaid ning kaitseprille, näokaitset, kaitseriietust ja respiraatorit. Torustikud võivad sisaldada kemikaale, baktereid või muid aineid, mis võivad olla mürgised või nakkusohhtlikud ning põhjustada põletusi või muid raskeid vigastusi.

Järgige hügieenialaseid ettekirjutusi. Ärge sööge ega suits-etage seedme kasutamise ajal. Pärast torupuhastusseadmetega ümberkäimist või nende kasutamist tuleb käed jm toru sisuga kokku puutunud kehasaad alati sooja vee ja seebiga puhtaks pesta. Nii väldite toksiliste või nakkusohhtlike ainetega kokkupuutest tulenevaid tervisriske.

Edasised ohutus- ja tööjuhised

Hoidke masina töö ajal alati kindaga spiraalist kinni. See võimaldab spiraali paremini kontrolli all hoida ning aitab takistada spiraali väändumist, murdumist ja katkiminekut, mis võib kaasa tuua raske kehavigastuse.

Kontrollige spiraali enne kasutamist kulumisjälgede ja kahjustuste osas. Vahetage kulunud või kahjustatud spiraal enne torupuhastaja kasutamist välja.

Ärge väänake, painutage ega pöörake spiraali ülemäära. Spiraali purunemine võib põhjustada raskeid vigastusi.

Kontrollige puhastatavat toru enne seadme kasutamist. Määrake nii palju kui võimalik ligipääsuohut-/kohad, toruühenduse läbimõõt ja pikkus ning vahekaugus peatorudest, ummistuse liik ja torupuhastusvahendite või muude kemikaalide olemasolu. Kui äravoolutoru sisaldab kemikaale, tuleb tarvitusele võtta vastavad ohutusmeetmed. Vajaliku teabe hankimiseks pöörduge kemikaalitootja poole.

Ärge kasutage seda masinat, kui masin või operaator peab vees seisma. Masina kasutamine vees suurendab elektrilöögi ohtu.

Vajadusel katke tööpiirkond kinni. Äravoolutorude puhastamine võib tekitada mustust.

Veenduge, et spiraal on täielikult sisse tõmmatud. Nii väldite spiraali visklemist seadme sisselülitamisel.

Pange puhastusspiraal äravooluavast kuni 60 cm kaugusele. Kui puhastusspiraali ei saa paigutada 60 cm kaugusele äravooluavast, tuleb äravooluava pikendada, kasutades sarnase suurusega toru ja liitmikke. Suurema vahemaa korral on spiraal raskesti kontrollitav ning võib väänduda, painduda või puruneda.

Spiraali ja sisse-välja-lülitit peab kasutama üks ja sama inimene. Kui masin lõpetab pöörlemise, peab kasutaja saama masina välja lülitada, et puhastusspiraal ei väänduks, murduks, puruneks ega viskleks.

Spiraali ei tohi pöörata tagurpidi suunas, v.a selles kasutusjuhendis nimetatud olukordades. Masinal pikka aega tagurpidi töötada laskmine võib põhjustada kaabli ja tarvikutel kahjustusi.

Kasutage tööriista õigesti kasutamise alati ratsionaalselt mõtlemit ja olge ettevaatlik. Kõiki ohhtlikke olukordi ei ole võimalik ette näha. Ärge kasutage seda tööriista, kui te ei saa kasutusjuhendist aru või kui tunnete, et töö ületab teie võimeid; lisateabe saamiseks või koolitusele osalemiseks pöörduge Milwaukee Tooli poole.

Ärge eemaldage etikette ja tüübisilte. Neil siltidel seisab oluline teave. Kui sildid pole enam loetavad või need puuduvad, siis võtke tasuta asendusillette saamiseks ühendust MILWAUKEE klienditeenindusega.

TÄHELEPANU! Elektrilise poleerimise, saagimise, lihvimise, puurimise ja muude ehitustööde käigus tekkinud tolmu võib sisaldada kemikaale, mis põhjustavad vähi, sünnidefekte või muud reproduktiivkahju. Sellised kemikaalid on näiteks järgmised:

- pliipõhises väris sisalduv plii;
- tellistes, tsemendis ja muudes müüritoodetes sisalduv kristalliline räändioksiid;
- keemilistel töödeldud puidus sisalduv arseen ja kroom.

Nende kemikaalidega kokkupuutumisega kaasnev risk sõltub sellest, kui tihti seda laadi tööd teete.

Nende kemikaalidega kokkupuutumise riski vähendamiseks töotage hea ventilatsiooniga kohas ning kasutage heakskiidetud isikukaitsevahendeid, näiteks mikroskoopilisi osakesi filtreerivad tolumumaskid.

Kasutada kaitsevarustust. Masinaga töötamisel kanda alati kaitseprille. Kaitseriietusena soovatakse kasutada tolumaski kaitsekindaid, kinniseid ja libisemisvastase tallaga jalanõusid, kiivrit ja kuulmisteede kaitset.

Töö ajal tekkinud tolmu on sageli tervistkahjustav ning ei tohiks sisse hingata organismi. Kanda sobivat kaitsemaski.

Töödelda ei tohi materjale, millest lähtub oht tervisele (nt asbest). Palun lülitage seade rakendustööriista blokeerimise korral kohe välja! Ärge lülitage seadet sisse tagasi, kuni rakendustööriist on blokeeritud; seejuures võib kõrge reaktsioonimomendiga tagasilöökk tekkida. Tehke ohutusjuhiseid arvesse võttes kindlaks ja kõrvaldage rakendustööriista blokeerimise põhjus.

Enne kõiki töid masina kallal võtke vahetatav aku välja.

Ärge visake tarvitatud vahetatavaid akusid tulle ega olmeprügisse. Milwaukee pakub vanade akude keskkonnahoidlikku käitlust; palun küsige oma erialasel tarnijalt.

Ärge säilitage vahetatavaid akusid koos metallsemetega (lühiseht).

Äärmuslikul koormusel või äärmuslikul temperatuuril võib kahjustatud vahetatavat akust akudevõlke välja voolata. Akudevõlkega kokkupuutumise korral peske kohe vee ja seebiga. Silma sattumise

korral loputage kiiresti põhjalikult vähemalt 10 minutit ning pöörduge viivitamatult arsti poole.

Lühisest põhjustatud tuleohtu, vigastuste või toote kahjustuste vältimiseks ärge kastke tööriista, vahetusakut ega laadimiseadet vedelikku ning jälgige, et vedelikke ei tungiks seadmetesse ega akusse. Korrodeeruvad või elektrit juhtivad vedelikud, nagu soolvesi, teatud kemikaalid ja pleegitusained või pleegitusaineid sisaldavad tooted, võivad põhjustada lühist.

Laadige süsteemi M18 vahetatavaid akusid ainult süsteemi M18 laadijatega. Ärge laadige nendega teiste süsteemide akusid. Ärge avage vahetatavaid akusid ega laadijaid ning ladustage neid ainult kuivades ruumides. Kaitske niiskuse eest.



TÄHELEPANU



See seade sisaldab nõopatareid (liitumpatarei). Uus või kasutatud patarei võib põhjustada raskeid sisemisi põletusi ja surma vaid 2 tunniga pärast allaneelamist või organismi sattumist. Kinnitage alati akupesa kate. Kui see ei sulgu turvaliselt, seisake seade, eemaldage patarei ja hoidke seda lastele kättesaamatuks. Kui kahtlustate, et keegi on patarei alla neelanud või see on muul viisil organismi sisenenud, pöörduge kohe arsti poole.

KASUTAMINE VASTAVALT OTSTARBELE

Kanalisatsioonitorude puhastusmasin on äravoolude puhastusmasin, mida kasutatakse sekundaarsete äravoolutorude puhastamiseks, mida võib leida köögist, vannitoast ja tehnilistest ruumidest.

ONE-KEY™

Lisateabe saamiseks selle tööriista ONE-KEY funktsionaalsuse kohta lugege lisatud lühikasutusjuhend läbi või külastage internetis meie kodulehte <http://www.milwaukeeetool.com/one-key>

ONE-KEY rakenduse saate App Store või Google Play kaudu oma nutitelefonile alla laadida. Katsetulemus täidab meie miinimum-nõudeid EN 301 489-1 / EN 301 489-17 järgi. Klient saab kasutusjuhiseid lugeda kasutusjuhendist.

ONE-KEY™ näidid	
Pidev sinine	Juhtmevaba režiim on aktiivne ning ONE-KEY™ rakenduse kaudu seadistamiseks valmis.
Vilkuv sinine	Masin suhtleb aktiivselt ONE-KEY™ rakendusega.
Vilkuv punane	Masinal on aktiveeritud turvaväljalülitus ning omanik saab luku avada ONE-KEY™ rakenduse kaudu.

AKUD

Pikemat aega mittekasutatud akusid laadige veel enne kasutamist. Temperatuur üle 50 °C vähendab vahetatava aku töövoimet. Vältige pikemat soojenemist päikese või kütteseadme mõjul.

Hoidke laadija ja vahetatava aku ühenduskontaktid puhtad. Optimaalse patarei eluea tagamiseks, pärast kasutamist lae patareiplokk täielikult.

Akad tuleks võimalikult pika kasutusea saavutamiseks pärast täislaadimist laadijast võtta.

Aku ladustamisel üle 30 päeva: Ladustage akut kuivas kohas u 27°C juures. Ladustage akut u 30-50% laetusesisundis. Laadige aku iga 6 kuu tagant täis.

LIITIUMIOONAKUDE TRANSPORTIMINE

Liitiumioonakud on allutatud ohtlike ainete transportimisega seonduvatele õigusaktidele.

Nende akude transportimine peab toimuma kohalikest, siseriiklikest ja rahvusvahelistest eeskirjadest ning määrustest kinni pidades.

Tarbijad tohivad neid akusid edasiste piiranguteta tänaval transportida.

Liitiumioonakude komertstransport ekspedeerimisettevõtete kaudu on allutatud ohtlike ainete transportimisega seonduvatele õigusaktidele. Tarne-ettevalmistusj ja transporti tohivad teostada eranditult vastavalt koolitatud isikud. Kogu protsessi tuleb asjatundlikult jälgida.

Akude transportimisel tuleb järgida järgmisi punkte:

Tehke kindlaks, et kontaktid on lühiste vältimiseks kaitsitud ja isoleeritud. Pöörake tähelepanu sellele, et akupakk ei saaks pakendis nihkuda. Kahjustatud või välja voolanud akusid ei tohi kasutada. Pöörduge edasiste juhiste saamiseks ekspedeerimisettevõtte poole.

AKU KOORMUSKAITSE

Aku ülekoormamisel kõrge voolutarbimisega, nt puuri blokeerumisel, lühise tekkimisel või ülikõrgetel pööretel, vibreerib elektritööriist 5 sekundit, laadimistuli vilgub ja tööriist lülitub automaatselt välja.

Uuesti sisse lülitamiseks tuleb päästik esmalt vabastada ning seejärel uuesti alla suruda.

Ülisuurel koormusel võib aku kuumeneda kõrgete temperatuurideni. Sellisel juhul vilguvad kõik laadimistulukesed kuni aku jahtumiseni. Peale laadimistulukeste kustumist võite tööd jätkata.

Aku tuleb laadimiseks ja taasaktiveerimiseks sisestada laadimisseadmesse.

LISAJUHISEID KASUTAMISEKS

Jälgige pilte tavakasutuse kohta.

Juhtige spiraal kergete edasi-tagasiliiugutustega torusse, kuni ummistus on kõrvaldatud.

MÄRKUS: Kui tööriist blokeerub, tuleb lukk kohe vabastada.

Blokeerunud torupuhastaja vabastamine:

1. Lülitage edasi-/välja-/tagurpidilüliti tagurpidiasendisse ja keerake etteandekrae pöörlemisele O.
2. Spiraali vabastamiseks tõmmake tööriista mõne sentimeetri võrra tagurpidi suunas tagasi.
3. Seisake masin.
4. Kui masin on täielikult seisma jäänud, lülitage edasi-/välja-/tagurpidilüliti tagasi edasiasendisse.

ETTEVAATUST! Tööriista kasutus edaspidirežiimis tagurpidi suunaga pööretel võib spiraali ja tarvikut kahjustada.

Kui spiraali on raske äravoolu või muusse liitmikku suruda, võib kasutada järgmisi meetodeid või nende kombinatsioone.

1. Spiraali järsk lükkamine nii koos kui ka ilma spiraali pööramiseta võib aidata spiraali läbi äravoolu suruda.
2. Vabastatud hoovaga kaabli keeramine võib muuta lõikuri suunda, et see liitmikuga paremini sobituks.
3. Lase puhastusmasinal mitu sekundit tagurpidisuunas töötada, lükates spiraali samal ajal alla. Seda tuleks teha ainult nii kaua, et puhastusspiraali läbi äravoolu läheks. Puhastusspiraali käitamine tagurpidisuunas võib spiraali kahjustada.

Kui need meetodid ei toimi, kasutage väiksema läbimõõduga või paindumavamaid spiraale.



Est

SPIIRAALI MONTEERIMINE

Spiraali monteerimisel järgige pilte.

HOIATUS! Spiraal on surve all ja võib monteerimisel äkitselt tagasilöögi anda, mis võib põhjustada vigastusi. Kandke kaitseprille või küljekaitsetega prille, et hoida vigastusohu võimalikult väike.

Kandke alati nahkkindaid.

Lugege kasutusjuhendit. Kasutage sobivat kaitsevarustust.

Torupuhastaja kasutamisel võite kokku puutuda kemikaalide, bakterite või muude söövitavate, mürgiste või nakkusohulike ainetega.

Puhastage käed kasutuse järel sooja vee ja seebiga.

HOOLDUS

Enne kõiki töid masina kallal võtke vahetatav aku välja.

Puhastage vabalt olev spiraal lapiga ja lükake uuesti trumliisse.

Enne torupuhastaja hoivulepanemist tõmmake spiraal täielikult välja. Puhastage spiraal ja kerige kergelt kokku.

Kasutage ainult Milwaukee tarvikuid ja Milwaukee tagavaraosi. Detailid, mille väljavahetamist pole kirjeldatud, laske välja vahetada Milwaukee klienditeeninduspunktis (vaadake brošüüri garantii / klienditeeninduste aadressid).

Vajaduse korral võite tellida seadme läbilõikejoonise, näidates ära masina tüüpi ja andmesildil oleva numbriga. Selleks pöörduge klienditeeninduspunkti või otse: Techtronic Industries GmbH, Max-Eyth-Straße 10, 71364 Winnenden, Germany.

EÜ VASTAVUSAVALDUS

Kinnitame oma ainuvastutusele, et „Tehniliste andmete“ all kirjeldatud toode vastab direktiivide kõigile asjakohastele sätetele:

2011/65/EU (RoHS)

2006/42/EÜ

2014/30/EU

2014/53/EU

ning täidetud on järgmiste ühtlustatud standardite nõuded.

EN 62841-1:2015

EN 62841-3-14:2017

EN 55014-1:2017+A11:2020

EN 55014-2:2015

EN 62479:2010

EN 300 328 V2.2.2

EN 301 489-1 V2.2.3

EN 301 489-17 V3.1.1

EN IEC 63000:2018



Winnenden. 2020-11-17

Alexander Krug / Managing Director
On volitatud koostama tehnilist dokumentatsiooni.
Techtronic Industries GmbH
Max-Eyth-Straße 10, 71364 Winnenden, Germany

SÜMBOLID



ETTEVAATUST! TÄHELEPANU! OHUD!



Palun lugege enne käikulaskmist kasutamisyhendamise juhendit hoolikalt läbi.



Masinaga töötades kandke alati kaitseprille.



Kandke alati kaitsekindaid – eelistatavalt nahast!



Enne kõiki töid masina kallal võtke vahetatav aku välja.



Tarvikud - ei kuulu tarne komplekti, soovitatav täiendus on saadaval tarvikute programmis.



Ärge koormake spiraale üle.

Spiraali ülekoormamine võib põhjustada spiraali väändumist, murdumist või purunemist ning kaasa tuua raskeid vigastusi.



Automaatse etteandemärgi/tagasitõmbe valik sees



Automaatse etteandemärgi/tagasitõmbe valik väljas



päripäeva kerimine (edasi)



vastupäeva kerimine (tagurpidi)



Elektriseadmeid, patareisid/akusid ei tohi utiliseerida koos majapidamisprügiga. Elektriseadmed ja akud tuleb eraldi kokku koguda ning kõrvaldada keskkonnasõbralikul moel töötlemiskeskusesse. Küsige infot jäätmekäitlusjaamade ja kogumispunktide kohta oma kohalike ametnike või edasimüüja käest.



See seade sisaldab nööppatareisid (liitiumpatarei).

n_0

Pöörlemiskiirus tühijooksul

V

Voltaaž



Alalisvool



Euroopa vastavusmärk



Ühendkuningriigi vastavusmärk



Ukraina vastavusmärk



Euraasia vastavusmärk

Технические данные	M18 FSSM
Машина для прочистки канализации секционного типа	
Серийный номер изделия	4749 26 02... ... 000001-999999
Вольтаж аккумулятора	18 V ⁻⁻⁻
Число оборотов без нагрузки n_0	0 - 700 min ⁻¹
Диапазон частот Bluetooth (диапазоны частот)	2402-2480 MHz
мощность радиоионлучения	1,8 dBm
Версия Bluetooth	4,0 BT signal mode
Скорость подачи/отвода макс.	31 cm/s
Размер провода очистителя канализации	ø 22 mm (7/8") & ø 32 mm (1 1/4")
Длина секционного провода очистителя канализации	4,5 m
Макс. длина провода очистителя канализации	60 m
Рекомендованный диаметр трубы	ø 50 - 200 mm
Длина направляющей трубы/направляющего шланга	3500 mm
Размер направляющей трубы/направляющего шланга	ø 50 mm
Вес согласно процедуре EPTA 01/2014 (с литий-ионным аккумулятором 12,0 Ah)	33,32 kg
Масса без аккумулятора, дренажного провода и направляющего шланга.	31,75 kg
Масса без аккумулятора, но с направляющим шлангом	37,55 kg
Температура окружающей среды, рекомендованная для эксплуатации	-18°C ... +50°C
Рекомендованные аккумуляторные блоки	M18HB...; M18B...
Рекомендованные зарядные устройства	M12-18...; M1418C6
Информация по шумам	
Значения замерялись в соответствии со стандартом EN 62841. Уровень шума прибора, определенный по показателю A, обычно составляет:	
Уровень звукового давления (Небезопасность K=3dB(A))	69,21 dB (A)
Уровень звуковой мощности (Небезопасность K=3dB(A))	80,21 dB (A)
Пользуйтесь приспособлениями для защиты слуха.	



ВНИМАНИЕ

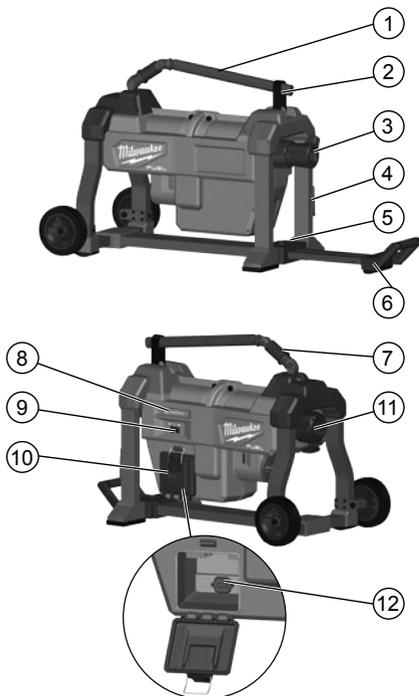
Указанное в данном техпаспорте значение уровня шума измерено в соответствии с методикой испытаний согласно стандарту EN 62841 и может быть использовано для сравнения инструментов друг с другом. Оно также подходит для предварительной оценки нагрузки.

Указанное значение уровня шума отражает основные области применения инструмента. Однако если инструмент будет применяться для других целей или с другими принадлежностями, либо за ним не будет осуществляться достаточный уход, значение уровня шума может отличаться. Это может значительно повысить нагрузку на весь период работы.

Для более точной оценки шумовой нагрузки необходимо также учитывать время, в которое инструмент отключен либо работает, но фактически не используется. Это может значительно снизить нагрузку на весь период работы. Примите дополнительные меры безопасности для защиты пользователя инструмента от воздействия шума, например: техобслуживание инструмента и принадлежностей, а также организация рабочих процессов.

Используйте наушники! Воздействие шума может привести к потере слуха.

⚠ ВНИМАНИЕ! Ознакомьтесь с правилами техники безопасности, техническими регламентами, изображениями и данными, прилагаемыми к устройству. При несоблюдении нижеприведенных указаний возможно поражение электротоком, возникновение пожара и/или получение серьезных травм. **Сохраняйте эти инструкции и указания для будущего использования.**



Описание устройства

- | | |
|------------------------------|---|
| ① Рукоятка рычага | ⑧ Индикатор ONE-KEY™ |
| ② Крюк для переноса | ⑨ Вперед/выкл./назад |
| ③ Подающая манжета | ⑩ Крышка аккумуляторного отсека |
| ④ Крюк для провода | ⑪ Соединение заднего направляющего шланга |
| ⑤ Кнопка высвобождения ручки | ⑫ Крышка аккумуляторного отсека ONE-KEY |
| ⑥ Телескопическая ручка | |
| ⑦ Манжета рукоятки рычага | |

ПРАВИЛА ТЕХНИКИ БЕЗОПАСНОСТИ ПРИ ОЧИСТКЕ ТРУБ

При работе с инструментом обязательно используйте задний направляющий шланг и следите за тем, чтобы провод не выходил за пределы заднего направляющего шланга. Это позволит избежать провисания провода, которое может привести к запутыванию и травмам.

Устройство для очистки труб предназначено только для труб указанного размера. Использование устройства для очистки труб не подходящего размера может привести к скручиванию, перегибу или излому спирали и к тяжелым травмам.

Держать вращающуюся спираль разрешается только в перчатках, рекомендованных производителем. Латексные или свободно сидящие перчатки, а также салфетки могут намотаться на спираль и привести к тяжелым травмам.

Следите за тем, чтобы острие спирали не зацепилось при вращении спирали. В противном случае возможна перегрузка спирали, ее чрезмерное скручивание, перегиб или излом, что опасно тяжелыми травмами.

Если в выпускной трубе, подлежащей очистке, предполагается наличие химикатов, бактерий или токсичных субстанций, например, возбудителей инфекций, под рекомендованные производителем защитные перчатки наденьте латексные или резиновые перчатки, а также защитные очки, защитный щиток для лица, защитную одежду и респиратор. Трубопроводы могут содержать химикаты, бактерии и другие субстанции, которые могут быть токсичными или заразными и вызывать раздражение или тяжелые повреждения.

Следите за выполнением правил гигиены. Не следует курить и принимать пищу во время пользования прибором. После использования устройства для очистки труб необходимо тщательно вымыть руки и другие части тела, имевшие контакт с содержимым труб, теплой водой с мылом. Это позволит избежать рисков для здоровья в результате контакта с токсичными веществами и возбудителями инфекций.

Дополнительные указания по безопасности и работе

В течение всего периода работы инструмента придерживайте провод рукой в перчатке. Таким образом вы будете лучше контролировать провод и не допустите его скручивания, сгибания и разрывов, что может привести к серьезным травмам.

Перед применением проверьте спираль на наличие следов износа и повреждения. Замените изношенную или поврежденную спираль, прежде чем использовать устройство для очистки труб.

Не допускайте скручивания, перегиба и чрезмерного сгибания спирали. Излом спирали может привести к тяжелым травмам.

Перед использованием устройства проверьте трубу, подлежащую очистке. Определите точку(и) доступа, диаметр и длину трубопровода настолько это возможно, а также удаление от основных трубопроводов, вид засора и наличие средств для очистки труб и других химикатов. Если в выпускной трубе содержится химикаты, следует принять соответствующие меры безопасности. Обратитесь к производителю химикатов для получения необходимой информации.

Не работайте с инструментом, если инструмент или вы сами находитесь в воде. Эксплуатация инструмента в воде повышает риск поражения электротоком.

Накройте рабочую зону при необходимости. Очистка выпускных труб - обычно очень грязная работа.

Убедитесь, что спираль полностью намотана. Это позволит избежать хлестообразного удара при включении.

Очиститель канализации должен находиться на расстоянии не более 60 см от дренажного отверстия. Если очиститель канализации невозможно разместить в пределах 60 см от дренажного отверстия, это дренажное отверстие необходимо удлинить при помощи трубы и фитингов аналогичного размера. При большем удалении нельзя обеспечить должный контроль спирали, что может привести к ее скручиванию, перегибу или излому.

Спираль и выключатель должны быть в управлении одного человека. Если инструмент прекратил вращение, его необходимо выключить во избежание скручивания, сгибания, провисания и разрыва кабеля.

За исключением ситуаций, приведенных в данной инструкции, спираль не следует вращать в обратном направлении. Обратный ход инструмента на протяжении длительного времени может привести к повреждению провода и деталей инструмента.

Всегда соблюдайте общепринятые правила разумного поведения и будьте осторожны при работе с инструментами. Невозможно предвидеть все ситуации, которые могут привести к опасным последствиям. Не используйте инструмент, если вам непонятны эти инструкции по эксплуатации или если вы считаете, что работа выходит за рамки ваших способностей; свяжитесь с Milwaukee Tool или с квалифицированным специалистом для получения дополнительной информации или проведения инструктажа.

Не удаляйте этикетки и фирменные щитки. Они содержат важную информацию. Если текст на указательных табличках становится нечитабельным или отсутствует, обратитесь в службу поддержки MILWAUKEE для бесплатной замены табличек.

ВНИМАНИЕ! Пыль, которая возникает при шлифовании, пилении, сверлении и других строительных работах, может содержать химические вещества, вызывающие онкологические заболевания, пороки развития или нарушения репродуктивной системы. Некоторые примеры таких химических веществ указаны ниже.

- Свинец из красок, содержащих свинец
- Кристаллический диоксид кремния из кирпичей, цемента и других материалов для кладки стен
- Мышьяк и хром из химически обработанных пиломатериалов

Риск поражения этими химикатами зависит от частоты выполнения подобных работ.

Для уменьшения риска поражения этими химикатами работайте в хорошо вентилируемых помещениях и используйте одобренное защитное оборудование, например респираторы, которые специально предназначены для фильтрации микроскопических частиц.

Пользоваться средствами защиты. Работать с инструментом всегда в защитных очках. Рекомендуется спецодежда: пылезастыжная маска, защитные перчатки, прочная и нескользящая обувь, каска и наушники.

Пыль, возникающая при работе данным инструментом, может нанести вред здоровью. Не следует допускать её попадания в организм. Надевайте противопылевой респиратор.

Запрещается обрабатывать материалы, которые могут нанести вред здоровью (напр., асбест).

При блокировании используемого инструмента немедленно выключить прибор! Не включайте прибор до тех пор, пока используемый инструмент заблокирован, в противном случае может возникнуть отдача с высоким реактивным моментом. Определите и устраните причину блокирования используемого инструмента с учетом указаний по безопасности.

Выньте аккумулятор из машины перед проведением с ней каких-либо манипуляций.

Не выбрасывайте использованные аккумуляторы вместе с домашним мусором и не сжигайте их. Дистрибьюторы компании Milwaukee предлагают восстановление старых аккумуляторов, чтобы защитить окружающую среду.

Не храните аккумуляторы вместе с металлическими предметами во избежание короткого замыкания.

Аккумуляторная батарея может быть повреждена и дать течь под воздействием чрезмерных температур или повышенной нагрузки. В случае контакта с аккумуляторной кислотой немедленно промойте место контакта мылом и водой. В случае попадания кислоты в глаза промойте глаза в течение 10 минут и немедленно обратитесь за медицинской помощью.

Для предотвращения опасности пожара в результате короткого замыкания, травм и повреждения изделия не опускайте инструмент, сменный аккумулятор или зарядное устройство в жидкости и не допускайте попадания жидкостей внутрь устройств или аккумуляторов. Коррозионные и проводящие жидкости, такие как соленый раствор, определенные химикаты, отбеливающие средства или содержащие их продукты, могут привести к короткому замыканию.

Для зарядки аккумуляторов модели M18 используйте только зарядным устройством M18. Не заряжайте аккумуляторы других систем.

Никогда не вскрывайте аккумуляторы или зарядные устройства и храните их только в сухих помещениях. Следите, чтобы они всегда были сухими.



ВНИМАНИЕ



Устройство использует кнопочный/плоский круглый литиевый аккумулятор. Новый или использованный аккумулятор может вызвать сильные внутренние ожоги и привести к смерти в течение 2 часов в случае проглатывания или попадания в организм. Всегда закрепляйте крышку аккумуляторного отсека. Если она не закрывается надежно, остановите устройство, извлеките аккумулятор и храните его в недоступном для детей месте. Если вы считаете, что человек проглотил аккумулятор или что аккумулятор иным образом попал в организм, обратитесь за экстренной медицинской помощью.

ИСПОЛЬЗОВАНИЕ

Машина для прочистки канализации секционного типа представляет собой аппарат для очистки вспомогательных дренажных труб, в том числе находящихся на кухне, ванных комнатах и подсобных помещениях.

ONE-KEY™

Для получения более подробной информации о функциях ONE-KEY данного инструмента прочтите прилагаемое краткое руководство или посетите наш сайт в Интернете по адресу <http://www.milwaukeeetool.com/one-key>

Вы можете загрузить приложение ONE-KEY на свой смартфон через App Store или Google Play. Результат испытания соответствует нашим минимальным требованиям согласно EN 301 489-1 / EN 301 489-17. Мы предоставим заказчику инструкции по эксплуатации в руководстве пользователя.

Индикатор ONE-KEY™	
Немигающий синий	Включен беспроводной режим, инструмент готов к настройке конфигурации через приложение ONE-KEY™.
Мигающий синий	Инструмент поддерживает связь с приложением ONE-KEY™.
Мигающий красный	Инструмент надежно заблокирован и может быть разблокирован владельцем с помощью приложения ONE-KEY™.



АККУМУЛЯТОР

Перед использованием аккумулятора, которым не пользовались некоторое время, его необходимо зарядить.

Температура свыше 50°C снижает работоспособность аккумуляторов. Избегайте продолжительного нагрева или прямого солнечного света (риск перегрева).

Контакты зарядного устройства и аккумуляторов должны содержаться в чистоте.

Для обеспечения оптимального срока службы аккумулятора необходимо полностью заряжать после использования прибора.

Для достижения максимально возможного срока службы аккумуляторы после зарядки следует вынимать из зарядного устройства.

При хранении аккумулятора более 30 дней: Храните аккумулятор при 27°C в сухом месте. Храните аккумулятор с зарядом примерно 30% - 50%. Каждые 6 месяцев аккумулятор следует заряжать.

ТРАНСПОРТИРОВКА ЛИТИЙ-ИОННЫХ АККУМУЛЯТОРОВ

Литий-ионные аккумуляторы в соответствии с предписаниями закона транспортируются как опасные грузы.

Транспортировка этих аккумуляторов должна осуществляться с соблюдением местных, национальных и международных предписаний и положений.

Эти аккумуляторы могут перевозиться по улице потребителем без дальнейших обязательств.

При коммерческой транспортировке литий-ионных аккумуляторов экспедиторскими компаниями действуют положения, касающиеся транспортировки опасных грузов. Подготовка к отправке и транспортировка должны производиться исключительно специально обученными лицами. Весь процесс должен находиться под контролем специалиста.

При транспортировке аккумуляторов необходимо соблюдать следующие пункты:

Убедитесь, что контакты защищены и изолированы во избежание короткого замыкания. Следите за тем, чтобы аккумуляторный блок не соскользнул внутри упаковки. Транспортировка поврежденных или протекающих аккумуляторов запрещена. За дополнительными указаниями обратитесь к своему экспедитору.

ЗАЩИТА АККУМУЛЯТОРА ОТ ПЕРЕГРУЗКИ

В случае перегрузки аккумулятора по причине слишком большого потребления электроэнергии, при экстремально большом крутящем моменте, внезапной остановке или коротком замыкании, электроприбор вибрирует в течение 5 секунд, загорается индикатор заряда аккумулятора и электроприбор автоматически выключается. Для повторного включения следует отжать кнопку включения и потом снова включить.

При слишком высоких нагрузках аккумулятор перегревается. В этом случае загораются все лампы индикатора заряда аккумулятора. Когда аккумулятор остынет и лампы погаснут – можно продолжат

Чтобы снова зарядить и активировать аккумулятор, подключите его к зарядному устройству.

ДОПОЛНИТЕЛЬНЫЕ СОВЕТЫ ПО ЭКСПЛУАТАЦИИ

При эксплуатации руководствуйтесь рисунками.

Вводите спираль в трубу поступательными движениями вперед-назад, пока засор не будет ликвидирован.

УКАЗАНИЕ: при блокировке инструмента немедленно отпустите выключатель.

Для разблокирования устройства:

1. Приведите переключатель «Вперед/выкл./назад» в положение «Назад» и поверните подающую манжету в положение вращения «0».
2. Потяните инструмент на несколько сантиметров с обратным вращением спирали, чтобы освободить ее.
3. Остановите работу инструмента.
4. Дождавшись полной остановки инструмента, верните переключатель «Вперед/выкл./назад» в положение «Вперед».

ОСТОРОЖНО! Постоянная эксплуатация инструмента в режиме обратного вращения может привести к повреждению спирали и принадлежностей.

Если вам сложно провести провод через сифон или другой фитинг, вы можете применить один из описанных ниже методов или их комбинацию.

1. Провод будет легче провести через сифон, если резко толкать его по направлению вниз, с вращением или без.
2. Если отпустить рычаг и вращать провод вручную, это может изменить направление резака и упростить его прохождение через фитинг.
3. Дайте очистителю канализации поработать в **ОБРАТНОМ** направлении в течение нескольких секунд и одновременно с этим толкайте провод вниз. Делайте это лишь до тех пор,

пока не направите провод в сифон. Перемещение провода в обратном направлении может повредить его.

Если эти методы не работают, попробуйте использовать провод меньшего диаметра или с большей гибкостью.

МОНТАЖ СПИРАЛИ

Принимайте во внимание рисунки при монтаже спирали.

ПРЕДУПРЕЖДЕНИЕ! Спираль находится под натяжением и во время монтажа может неожиданно выскочить, что опасно травмами. Надевайте защитные очки или очки с боковой защитой, чтобы минимизировать опасность травм.

Всегда носите кожаные перчатки.

Прочтите инструкцию по эксплуатации. Используйте специальные защитные средства.

При использовании устройства для очистки труб на вас могут попадать химикаты, бактерии или другие едкие, токсичные или инфекционные вещества.

После использования вымыть руки теплой водой с мылом.

ОБСЛУЖИВАНИЕ

Выньте аккумулятор из машины перед проведением с ней каких-либо манипуляций.

Вынутую спираль протереть тряпкой и снова вставить в барабан.

Перед хранением устройства для очистки труб полностью вынуть спираль. Почистить спираль и смотать ее неплотно.

Пользуйтесь аксессуарами и запасными частями Milwaukee.

В случае возникновения необходимости в замене, которая не была описана, обращайтесь в один из сервисных центров по обслуживанию электроинструментов Milwaukee (см. список сервисных организаций).

При необходимости может быть заказан чертеж инструмента с трехмерным изображением деталей. Пожалуйста, укажите номер и тип инструмента и закажите чертеж у Ваших местных агентов или непосредственно у Techtronic Industries GmbH, Max-Eyth-Straße 10, 71364 Winnenden, Germany.

ДЕКЛАРАЦИЯ О СООТВЕТСТВИИ СТАНДАРТАМ ЕС

Мы несем исключительную ответственность за то, что изделие, описанное в разделе «Техническая информация» соответствует всем применимым положениям директив:

2011/65/EU (RoHS)

2006/42/EC

2014/30/EU

2014/53/EU

а также следующим согласованным стандартам

EN 62841-1:2015

EN 62841-3-14:2017

EN 55014-1:2017+A11:2020

EN 55014-2:2015

EN 62479:2010

EN 300 328 V2.2.2

EN 301 489-1 V2.2.3

EN 301 489-17 V3.1.1

EN IEC 63000:2018



Winnenden. 2020-11-17

Alexander Krug / Managing Director

Уполномочен на составление технической документации.

Techtronic Industries GmbH

Max-Eyth-Straße 10, 71364 Winnenden, Germany



Электроприборы, батареи/аккумуляторы запрещено утилизировать вместе с бытовым мусором. Электрические приборы и аккумуляторы следует собирать отдельно и сдавать в специализированную компанию для утилизации в соответствии с нормами охраны окружающей среды. Получите в местных органах власти или у вашего специализированного дилера сведения о центрах вторичной переработки и пунктах сбора.



Устройство использует кнопочный/плоский круглый литиевый аккумулятор.

n₀

Число оборотов без нагрузки

V

Напряжение



Постоянный ток



Европейский знак соответствия



Британский знак соответствия



Украинский знак соответствия



Евразийский знак соответствия

СИМВОЛЫ



ВНИМАНИЕ! ПРЕДУПРЕЖДЕНИЕ! ОПАСНОСТЬ!



Пожалуйста, внимательно прочтите инструкцию по использованию перед началом любых операций с инструментом.



При работе с инструментом всегда надевайте защитные очки.



Всегда носите защитные перчатки, предпочтительно кожаные!



Выньте аккумулятор из машины перед проведением с ней каких-либо манипуляций.



Принадлежности - В стандартную комплектацию не входит, поставляется в качестве дополнительной принадлежности.



Не подвергайте провода чрезмерной нагрузке.

Чрезмерная нагрузка может привести к скручиванию, сгибанию или разрыву провода и вызвать серьезную травму.



Выбор автоматической подачи/обратного хода вкл.



Выбор автоматической подачи/обратного хода выкл.



вращение по часовой стрелке (вперед)



вращение против часовой стрелки (назад)

Русский

Технически данни	M18 FSSM
Машина за почистване на канали със спирала	
Производствен номер	4749 26 02... ... 000001-999999
Напрежение на акумулатора	18 V \equiv
Обороти на празен ход n_0	0 - 700 min ⁻¹
Честотен обхват (честотни обхвати) на Bluetooth	2402-2480 MHz
Радиочестотна мощност	1,8 dBm
Версия на Bluetooth	4,0 BT signal mode
Скорост на подаване/прибиране на спиралата макс.	31 cm/s
Диаметър на спиралата	\varnothing 22 mm (7/8") & \varnothing 32 mm (1 1/4")
Дължина на спиралата	4,5 m
Максимална дължина на спиралата	60 m
Препоръчителен диаметър на тръбата	\varnothing 50 - 200 mm
Дължина на направляващата тръба/направляващия маркуч	3500 mm
Диаметър на направляващата тръба/направляващия маркуч	\varnothing 50 mm
Тегло съгласно процедурата ЕРТА 01/2014 (слитиевойонна батерия 12,0 Ah)	33,32 kg
Тегло без батерията, спиралата и направляващия маркуч.	31,75 kg
Тегло без батерията, но с направляващия маркуч	37,55 kg
Препоръчителна температура на околната среда при експлоатация	-18°C ... +50°C
Препоръчителни акумулаторни батерии	M18HB...; M18B...
Препоръчителни зарядни устройства	M12-18...; M1418C6
Информация за шума	
Измерените стойности са получени съобразно EN 62841. Оцененото с А ниво на шума на уреда е съответно:	
Равнище на звуковото налягане (Несигурност K=3dB(A))	69,21 dB (A)
Равнище на мощността на звука (Несигурност K=3dB(A))	80,21 dB (A)
Да се носи предпазно средство за слуха!	



ВНИМАНИЕ

Посочената в тази информационна брошура стойност на шумовите емисии е измерена чрез метод на изпитване, стандартизиран в EN 62841, и може да се използва за сравнение на инструменти помежду им. Тя е подходяща и за предварителна оценка на натоварването.

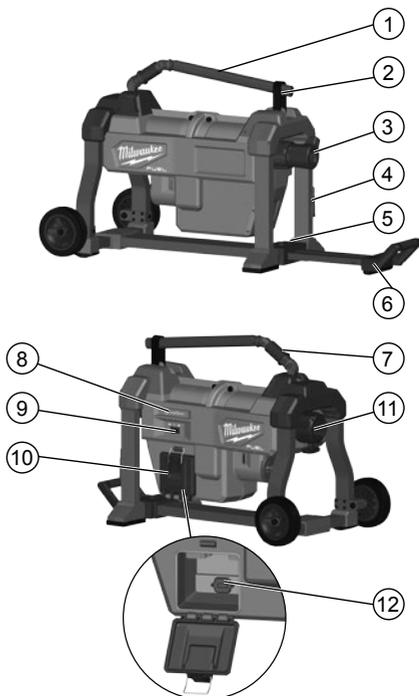
Посочената стойност на шумовите емисии представлява основните приложения на инструмента. Ако обаче инструментът се използва за други приложения или с други принадлежности, или е недостатъчно поддържан технически, стойността на шумовите емисии може да се отклонява. Това може чувствително да увеличи натоварването по време на целия работен цикъл.

За точна оценка на шумовото натоварване трябва да се вземат предвид и времената, когато инструментът е изключен или работи, но всъщност не се използва. Това може чувствително да намали натоварването по време на целия работен цикъл.

Определете допълнителни мерки за защита на оператора от шумовото въздействие, като например: техническа поддръжка на инструмента и на принадлежностите и организация на работните процеси.

Носете средство за защита на слуха. Шумът може да доведе до загуба на слуха.

⚠ ВНИМАНИЕ! Прочетете всички указания за безопасност, инструкции, изображения и техническите данни, които получавате с уреда. Ако не спазвате следните указания, това може да доведе до токов удар, пожар и/или тежки наранявания. **Запазете всички указания и инструкции за безопасност за бъдещето.**



Описание на устройството

- | | |
|--------------------------------------|--|
| ① Лостово рамо | ⑦ Маншет на лостовото рамо |
| ② Кука за носене | ⑧ Индикатор ONE-KEY™ |
| ③ Подаващ пръстен | ⑨ Напред/изкл./назад |
| ④ Кука за спиралата | ⑩ Капак на батерията |
| ⑤ Бутон за освобождаване на дръжката | ⑪ Муфта за свързване на направляващия маркуч |
| ⑥ Телескопична дръжка | ⑫ Капак за батерията ONE-KEY |

▲ УКАЗАНИЯ ЗА БЕЗОПАСНОСТ ЗА ИНСТРУМЕНТИ ЗА ПОЧИСТВАНЕ НА ТРЪБИ

Когато работите с машината, винаги използвайте разположение отзад направляващ маркуч и внимавайте спиралата да не се развива повече от маркуча. Това предотвратява камшичен удар от спиралата, който може да доведе до заплтането ѝ и да причини наранявания.

Инструментът за почистване на тръби трябва да се използва само за тръби с посочените размери. Използването на инструмент за почистване на тръби с неправилен размер може да доведе до усукване, прегъване или пречупване на спиралата и до наранявания.

Хващайте въртящата се спирала само с препоръчаните от производителя ръкавици. Латексовите или хлабавите ръкавици, респ. кърпи, могат да се навият около спиралата и да предизвикат тежки наранявания.

Уверете се, че върхът на спиралата не се заклепва, докато спиралата се върти. В противен случай спиралата може да се претовари и да се усуче прекомерно, огъне или пречупи, което да доведе до тежки наранявания.

Когато е вероятно отходната тръба, която ще се почиства, да съдържа химикали, бактерии или други токсични вещества, респ. причинители на инфекции, използвайте латексови или гумени ръкавици от препоръчаните от производителя, както и защитни очила, защита за лицето, защитно облекло и дихателна маска. Тръбопроводите могат да съдържат химикали, бактерии или други вещества, които са токсични или предизвикват инфекции и изгаряния, или могат да причинят тежки наранявания.

Спазвайте хигиенните предписания. Не се хранете и не пушете, докато използвате уреда. След боравене с или употреба на уреди за почистване на тръби, ръцете и останалите части на тялото, които са били в контакт със съдържанието на тръбите, винаги трябва да се измият с топла вода и сапун. Така ще избегнете рисковете за здравето поради контакта с токсични или предизвикващи инфекции вещества.

Допълнителни указания за работа и безопасност
Докато машината работи, дръжте спиралата с ръкавица на ръката. Така ще можете по-добре да я направлявате и да предотвратявате усукване, прегъване или скъсване на спиралата, което може да причини тежки наранявания.

Преди употреба проверете спиралата за следи от износване и повреди. Преди работа с инструмента за почистване на тръби заменете износената или повредена спирала.

Не усуквайте, не пречупвайте и не огъвайте прекомерно спиралата. Счупването на спиралата може да причини тежки наранявания.

Преди използване на уреда проверявайте тръбата, която ще почиствате. Доколкото е възможно, определете точката/точките за достъп, диаметъра и дължината на тръбопровода, както и разстоянието до основните тръбопроводи, вида на запущването и наличието на средства за почистване на тръби или други химикали. Ако в отходната тръба се намират химикали, трябва да се вземат съответните мерки за безопасност. Свържете се с производителя на химикалите, за да получите необходимата информация.

Не използвайте машината, ако тя или операторът се намира във вода. Използването на машината във вода повишава риска от електрически удар.

При необходимост покривайте работната зона.

При почистването на отходни тръби може да се получат замърсявания наоколо.

Уверете се, че спиралата е напълно размотана. Така ще избегнете ударите от спиралата при включване.

Поставяйте почистващата машина на разстояние не повече от 60 см от отвора на канала. Ако машината не може да бъде поставена на разстояние до 60 см от отвора на канала, отворът трябва да бъде удължен с помощта на тръба със сходен размер и преходници. При по-голямо разстояние спиралата не може да се контролира добре и може да се усуче, прегъне или пречупи.

Спиралата и бутонът за включване/изключване трябва да се обслужват от едно и също лице. Ако въртенето спре, операторът трябва да може да изключи машината, за да предотврати усукване, прегъване, счупване или камшичен удар на спиралата.

С изключение на ситуациите, посочени в тази инструкция, спиралата не бива да се върти наобратно. Ако машината работи продължително време на обратен ход, това може да повреди спиралата и приспособленията.

Винаги проявявайте здрав разум и бъдете внимателни, когато използвате инструменти. Невъзможно е да се предвиди всяка ситуация, която може да доведе до опасни последици. Не използвайте този инструмент, ако не разбирате настоящите указания за експлоатация или Ви се струва, че задачата е отвъд Вашите способности; свържете се с „Инструменти Milwaukee“ или обучен професионалист за допълнителна информация и обучение.

Не сваляйте етикетите и типовите табелки. Тези табелки съдържат важна информация. Ако указателните табелки вече не са четливи или липсват, свържете се с клиентския сервиз на MILWAUKEE, за да получите безплатни резервни табелки.

ВНИМАНИЕ! Някои видове прах, отделили се при използването на електрически инструменти за шкурене, рязане, шлифоване и други строителни дейности, съдържат химикали, за които е известно, че причиняват рак, вродени дефекти и други възпроизводствени проблеми. Примерите за такива химикали включват:

- олово от бои на оловна основа,
 - кварцов прах от тухли, цимент и други зидарски продукти, както и
 - арсеник и хром от обработен с химикали дървен материал.
- Рискът за Вас от излагане на въздействието на тези химикали варира в зависимост от честотата на вършене на такъв тип работа.

За да намалите излагането си на въздействието от тези химикали, работете на добре проветрени места, използвайте



одобрени средства за защита, като например маски за прах, които са специално проектирани да филтрират микроскопични частици.

Да се използват предпазни средства. При работа с машината винаги носете предпазни очила. Препоръчват се защитно облекло и прахозащитна маска, защитни ръкавици, здрави и нехлъзгащи се обувки, каска и предпазни средства за слуха.

Прахът, който се образува при работа, често е вреден за здравето и не бива да попада в тялото. Да се носи подходяща прахозащитна маска.

Не е разрешена обработката на материали, които представляват опасност за здравето (напр. азбест).

Ако използваният инструмент блокира, изключете веднага уреда! Не включвайте уреда отново, докато използваният инструмент е блокиран; това би могло да доведе до откат с висока реактивна сила. Открийте и отстранете причината за блокирането на използвания инструмент имайки в предвид инструкциите за безопасност.

Преди започване на каквито е да работи по машината извадете акумулатора.

Не изхвърляйте изхабените акумулатори в огъня или в при битовите отпадъци. Milwaukee предлага екологосъобразно събиране на старите акумулатори; моля попитайте Вашия специализиран търговец.

Не съхранявайте акумулаторите заедно с метални предмети (опасност от късо съединение).

При екстремно натоварване или екстремна температура от повредени акумулатори може да изтече батерийна течност. При допир с такава течност веднага измийте с вода и сапун. При контакт с очите веднага изплаквайте старателно най-малко 10 минути и незабавно потърсете лекар.

За да избегнете опасността от пожар, предизвикана от късо съединение, както и нараняванията и повредите на продукта, не потапяйте инструмента, сменяемата акумулаторна батерия или зарядното устройство в течности и се погрижете в уредите и акумулаторните батерии да не попадат течности. Течностите, предизвикващи корозия или провеждащи електричество, като солена вода, определени химикали, изелващи вещества или продукти, съдържачи изелващи вещества, могат да предизвикат късо съединение.

Акумулатори от системата M18 да се зареждат само със зарядни устройства от системата M18 laden. Да не се зареждат акумулатори от други системи.

Не отваряйте акумулатори и зарядни устройства и ги съхранявайте само в сухи помещения. Пазете ги от влага.



ВНИМАНИЕ



Това устройство се запазва с клетъчна литиева батерия от тип копче. Както новите, така и използваните батерии могат да причинят тежки вътрешни изгаряния и доведат до смърт за не повече от 2 часа след поглъщане или попадане в тялото. Винаги проверявайте дали капачето на батерията е добре затворено. Ако не се затваря добре, спрете устройството, извадете батерията и я дръжте далече от деца. Ако мислите, че някой може да е погълнал батерията или че тя е попаднала в тялото по друг начин, потърсете незабавна медицинска помощ.

ИЗПОЛЗВАНЕ ПО ПРЕДНАЗНАЧЕНИЕ

Тази машина за почистване на канали със спирала се използва за почистване на второстепенни канализационни тръбопроводи като тези, които се намират в кухняте, баните и сервизните помещения.

ONE-KEY™

За да научите повече за ONE KEY функционалността на този инструмент, прочетете приложеното ръководство за бърз старт или ни посетете в интернет на <http://www.milwaukeeool.com/one-key>

Можете да изтеглите ONE KEY приложението на Вашия смартфон от App Store или Google Play. Резултатът от изпитванията отговаря на нашите минимални изисквания съгласно EN 301 489-1 / EN 301 489-17. На клиента ще бъдат предоставени указания за експлоатация в ръководството за употреба.

Индикатор ONE-KEY™	
Постоянно синьо	Безжичният режим е активен и машината е готова за конфигуриране чрез приложението ONE-KEY™.
Мигащо синьо	Машината комуникира с приложението ONE-KEY™.
Мигащо червено	Машината е заключена с оглед на безопасността и може да бъде отключена от оператора чрез приложението ONE-KEY™.

АКУМУЛАТОРИ

Акумулатори, които не са ползвани по-дълго време, преди употреба да се дозаредят.

Температура над 50°C намалява мощността на акумулатора. Да се избягва по-продължително нагряване на слънце или от отопление.

Поддържайте чисти присъединителните контакти на зарядното устройство и на акумулатора.

За оптимална продължителност на живот след употреба батериите трябва да се заредят напълно.

За възможно по-дълга продължителност на живот батериите трябва да се изваждат от уреда след зареждане.

При съхранение на батериите за повече от 30 дни: съхранявайте батерията при прибл. 27°C и на сухо място. Съхранявайте батерията при 30 до 50 % от заряда. Зареждайте батерията на всеки 6 месеца.

ПРЕВОЗ НА ЛИТИЕВО-ЙОННИ БАТЕРИИ

Литиево-йонните батерии са предмет на законовите разпоредби за превоз на опасни товари.

Превозът на тези батерии трябва да се извършва в съответствие с местните, националните и международните разпоредби и регламенти.

Потребителите могат да превозват тези батерии по пътя без допълнителни изисквания.

Превозът на литиево-йонни батерии от транспортни компании е предмет на законовите разпоредби за превоз на опасни товари. Подготовката на превоза и самият превоз трябва да се извършват само от обучени лица. Целият процес трябва да е под професионален надзор.

Спазвайте следните изисквания при превоз на батерии:

Уверете се, че контактите са защитени и изолирани, за да се избегне късо съединение. Уверете се, че няма опасност от разместване на батерията в опаковката. Не превозвайте повредени батерии или такива с течове. Обърнете се към Вашата транспортна компания за допълнителни инструкции.

ЗАЩИТА ОТ ПРЕТОВАРВАНЕ НА БАТЕРИЯТА

При претоварване на батерията вследствие на голямо потребление на енергия, например изключително високи въртящи моменти, , внезапно спиране или късо съединение, електрическият инструмент вибрира в продължение на 5 секунди, мига индикаторът за зареждане и електрическият инструмент се изключва сам.

За да го включите повторно, освободете превключвателя и след това включете уреда.

При екстремни натоварвания батерията се нагрява значително. В този случай всички светлини на индикатора за зареждане мигат дотогава, докато батерията се охлади. След изгасване на индикатора за зареждане можете да продължите работата с уреда.

Тогава акумулаторът да се включи към зарядното устройство, за да се дозарежда и активира.

ДОПЪЛНИТЕЛНИ СЪВЕТИ ЗА УПОТРЕБАТА

Съблюдавайте изображенията за нормалната употреба.

Вкарвайте спиралата с леко движение напред-назад в тръбата, докато запущването бъде отстранено.

УКАЗАНИЕ: Ако инструментът блокира, веднага пуснете превключвателя.

Освобождаване на блокиран уред за почистване на тръби:

1. Преместете превключвателя за управление (напред/изключен/назад) в позиция „назад“ и завъртете подаващия пръстен на степен 0.
2. Изтеглете инструмента няколко сантиметра назад, за да освободите спиралата.
3. Спрете машината.
4. Когато машината спре напълно, преместете превключвателя отново в позиция „напред“.

ВНИМАНИЕ! Продължаване на използването на инструмента при въртене назад може да причини повреда на спиралата и принадлежностите.

Ако спиралата не може да премине през сифона или през друг фитинг, можете да използвате следните методи или комбинация от методи.

1. Тласкайте спиралата рязко надолу, както докато се върти и когато не се върти — това може да й помогне да премине през сифона.
2. Освободете лостовото рамо и въртете спиралата на ръка, за да смените посоката на накрайника, за да може по-лесно да премине през фитинга.
3. Включете машината на „заден ход“ за няколко секунди, докато натискате спиралата надолу. Правете това само докато спиралата премине през сифона. Движението на спиралата назад може да я повреди.

Ако тези варианти не помогнат, опитайте със спирала с по-малък диаметър или с по-гъвкава такава.

МОНТИРАНЕ НА СПИРАЛАТА

Съблюдавайте изображенията за монтажа на спиралата.

ПРЕДУПРЕЖДЕНИЕ! Спиралата е под налягане и при монтаж може внезапно да изскочи, което да доведе до наранявания. Носете предпазни очила или очила със странична защита, за да ограничите максимално опасността от нараняване.

Винаги носете кожени ръкавици.

Прочетете ръководството за експлоатация. Използвайте подходящи предпазни средства.

При работа с уреда за почистване на тръби можете да влезете в съприкосновение с химикали, бактерии или други агресивни, токсични или инфекциозни субстанции.

След използване винаги измивайте ръцете с топла вода и сапун.

ПОДДРЪЖКА

Преди започване на каквито и да е работи по машината извадете акумулатора.

Избършете освободената спирала с парцал и отново я вкарвайте в барабана.

Преди прибиране на инструмента за почистване на тръби, изтеглете спиралата изцяло навън. Почистете спиралата и я навийте свободно.

Да се използват само аксесоари на Milwaukee и резервни части на Milwaukee. Елементи, чията подмяна не е описана, да се дадат за подмяна в сервиз на Milwaukee (вижте брошурата „Гаранция и адреси на сервиси“).

При необходимост можете да поискате за уреда от Вашия сервиз или директно от Techtronic Industries GmbH, Max-Eyth-Straße 10, 71364 Winnenden, Germany, чертеж за в случай на експлозия, като посочите типа на машината и номер върху заводската табелка.

СЕ - ДЕКЛАРАЦИЯ ЗА СЪОТВЕТСТВИЕ

Ние декларираме, изцяло на наша отговорност, че продуктът, описан в „Технически данни“, съответства на всички необходими изисквания на директивите:

2011/65/EC (RoHS)

2006/42/EO

2014/30/EC

2014/53/EU

и че са използвани следните хармонизирани стандарти

EN 62841-1:2015

EN 62841-3-14:2017

EN 55014-1:2017+A11:2020

EN 55014-2:2015

EN 62479:2010

EN 300 328 V2.2.2

EN 301 489-1 V2.2.3

EN 301 489-17 V3.1.1

EN IEC 63000:2018



Winnenden. 2020-11-17

Alexander Krug / Managing Director

Упълномощен за съставяне на техническата документация
Techtronic Industries GmbH
Max-Eyth-Straße 10, 71364 Winnenden, Germany

СИМВОЛИ



ВНИМАНИЕ! ПРЕДУПРЕЖДЕНИЕ! ОПАСНОСТ



Преди пускане на уреда в действие моля прочетете внимателно инструкцията за използване.



При работа с машината винаги носете предпазни очила.



Винаги носете защитни ръкавици, за предпочитане кожени!



Преди започване на каквито е да работи по машината извадете акумулатора.



Акcesoари - Не се съдържат в обема на доставката, препоръчвано допълнение от програмата за акcesoари.



Не пренапрягайте спиралата.
Пренапрягането може да причини усукване, прегъване или счупване на спиралата, а то да причини тежки наранявания.



Автоматично подаване/прибиране — включено



Автоматично подаване/прибиране — изключено



въртене по посока на часовниковата стрелка (напред)



въртене по посока обратно на часовниковата стрелка (назад)



Електрическите уреди, батерии/акумулаторни батерии не трябва да се изхвърлят заедно с битовите отпадъци. Електрическите уреди и акумулаторни батерии трябва да се събират отделно и да се предават на службите за рециклиране на отпадъците според изискванията за опазване на околната среда. Информирайте се при местните служби или при местните специализирани търговци относно местата за събиране и центровете за рециклиране на отпадъци.



Това устройство се захранва с клетъчна литиева батерия от тип копче.

n₀

Обороти на празен ход

V

Напрежение



Постоянен ток



Европейски знак за съответствие



Британски знак за съответствие



Украински знак за съответствие

001



Евро-азиатски знак за съответствие

Date tehnice	M18 FSSM
Mașină de desfumat conducte cu cablu spiralat	
Număr producție	4749 26 02... ... 000001-999999
Tensiune acumulator	18 V ==
Viteza de mers în gol n_0	0 - 700 min ⁻¹
Bandă de frecvență Bluetooth (benzi de frecvență)	2402-2480 MHz
Puterea de radiofrecvență	1,8 dBm
Versiune Bluetooth	4,0 BT signal mode
Viteză de avans/retragere max.	31 cm/s
Dimensiunea cablului spiralat pentru mașina de desfumat conducte	ø 22 mm (7/8") & ø 32 mm (1 1/4")
Lungimea cablului spiralat pentru mașina de desfumat conducte	4,5 m
Lungimea maximă a cablului spiralat pentru mașina de desfumat conducte	60 m
Diametrul recomandat al conductei	ø 50 - 200 mm
Lungime tub pilot/furtun de ghidaj	3500 mm
Dimensiune tub pilot/furtun de ghidaj	ø 50 mm
Greutatea conform „EPTA procedure 01/2014” (cu baterie Li-ion 12,0 Ah)	33,32 kg
Greutate fără baterie, cablu de curățare și furtun de ghidaj.	31,75 kg
Greutate cu baterie, dar cu furtun de ghidaj	37,55 kg
Temperatură ambientală recomandată pentru funcționare	-18°C ... +50°C
Seturi de baterii recomandate	M18HB...; M18B...
Încărcător de baterii recomandat	M12-18...; M1418C6
Informație privind zgomotul	
Valori măsurate determinate conform EN 62841. Nivelul de zgomot evaluat cu A al aparatului este tipic de:	
Nivelul presiunii sonore (Nesiguranță K=3dB(A))	69,21 dB (A)
Nivelul sunetului (Nesiguranță K=3dB(A))	80,21 dB (A)
Purtați căști de protecție	



AVERTISMENT

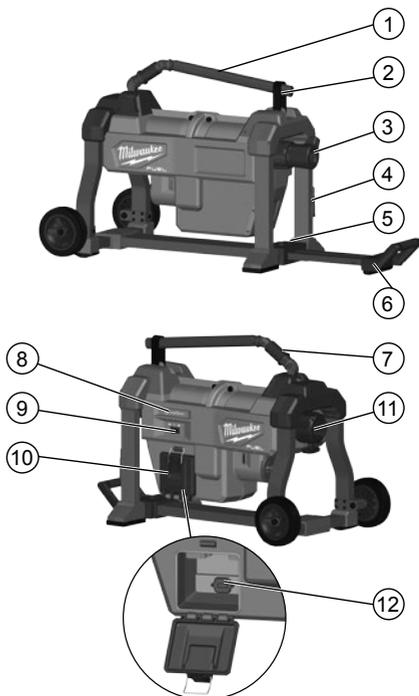
Valoarea emisiei sonore indicată în această fișă tehnică a fost măsurată conform unei proceduri de testare normale în EN 62841 și poate fi utilizată pentru compararea sculelor. Aceasta este adecvată și pentru o evaluare preliminară a solicitării.

Valoarea indicată a emisiilor sonore este dată pentru aplicațiile principale ale sculei. Aceasta poate să difere în cazul în care scula este utilizată pentru alte aplicații, cu accesorii diferite sau dacă este întreținută insuficient. Aceste situații pot determina creșterea semnificativă a solicitării pe parcursul timpului de lucru. Pentru o evaluare exactă a solicitării din cauza zgomotului trebuie luate în considerare inclusiv intervalele de timp în care scula este oprită, sau dacă este în funcțiune, însă nu este utilizată în mod efectiv. Aceste situații pot să reducă în mod considerabil solicitarea pe parcursul timpului de lucru.

Stabiliți măsuri de siguranță suplimentare pentru protejarea operatorului față de zgomotul produs, de ex.: întreținerea sculei și a accesoriilor și organizarea proceselor de lucru.

Purtați aparatoare de urechi. Expunerea la zgomot poate duce la pierderea auzului.

⚠️ AVERTISMENT! Citiți toate instrucțiunile de securitate, recomandările, reprezentările grafice și datele pe care le primiți livrate împreună cu aparatul. În cazul în care nu veți respecta următoarele instrucțiuni, se poate ajunge la electrocutare, incendii și/sau răni grave. **Păstrați toate indicațiile de avertizare și instrucțiunile în vederea utilizărilor viitoare.**



Descrierea dispozitivului

- | | |
|-------------------------------------|--|
| ① Brațul părghieii | ⑧ Indicator ONE-KEY™ |
| ② Cărlig pentru transport | ⑨ Înainte/oprit/revers |
| ③ Manșon de alimentare | ⑩ Capacul bateriei |
| ④ Cărlig pentru cablu | ⑪ Racord pentru furtunul de ghidaj din spate |
| ⑤ Buton pentru eliberarea mânerului | ⑫ Capac pentru baterie ONE-KEY |
| ⑥ Mâner telescopic | |
| ⑦ Manșonul brațului părghieii | |

⚠️ INDICAȚII DE SIGURANȚĂ PENTRU DISPOZITIVUL DE CURĂȚAT ȚEVI

Utilizați întotdeauna furtunul de ghidaj din spate în timpul funcționării dispozitivului și asigurați-vă că cablul nu se extinde dincolo de furtunul de ghidaj din spate. Aceasta previne biciuirea cablului, ceea ce poate duce la împiedicare și vătămări personale.

Dispozitivul de curățat țevi trebuie utilizat numai pentru țevile cu dimensiune adecvată poate produce răsucirea, îndoirea sau ruperea spiralei și poate provoca răni.

Apucați spirala în rotație numai cu mânușile recomandate de producător. Mânușile din latex sau mânușile largi, resp. articolele de stofă se pot înfășura în jurul spiralei și pot provoca răni grave.

Cât timp spirala se rotește asigurați-vă că aceasta nu se prinde de ceva și se blochează. În caz contrar, spirala poate fi suprasolicitată, se poate răsuci excesiv în gol, îndoii sau rupe, ceea ce poate provoca răni.

Dacă țeava de scurgere de curățat poate conține substanțe chimice, bacterii sau alte substanțe toxice, resp. agenți infecțioși, atunci utilizați mânușile de protecție din latex sau cauciuc recomandate de producător, precum și ochelari de protecție, masca de protecție a feței, îmbrăcămintea de protecție și masca de protecție a respirației recomandate de acesta. Conductele pot să conțină substanțe chimice, bacterii sau alte substanțe care pot fi toxice sau pot provoca infecții, iritații sau alte răni grave.

Respectați normele de igienă. Nu mâncați și nu fumați în timpul utilizării aparatului. După manipularea sau utilizarea dispozitivelor de curățat țevi, mâinile și alte părți ale corpului care au intrat în contact cu conținutul țevii trebuie spălate întotdeauna cu apă caldă și săpun. Astfel preveniți riscurile de îmbolnăvire din cauza contactului cu substanțele toxice sau infecțioase.

Instrucțiuni suplimentare de siguranță și de lucru

Țineți o mână cu mânășă pe cablu ori de câte ori dispozitivul este în funcțiune. Prin aceasta se asigură un control mai bun al cablului și se previne răsucirea, îndoirea sau ruperea cablului, situații care pot duce la vătămări personale grave.

Înainte de utilizare, verificați spirala referitor la urme de uzură și deteriorări. Înlocuiți spirala uzată sau deteriorată înainte de utilizarea dispozitivului de curățat țevi.

Nu răsuciți, nu îndoiiți și nu curbați excesiv spirala. Ruperea spiralei poate provoca răni grave.

Inspectați țeava de curățat înainte de utilizarea aparatului. În măsura în care este posibil, stabiliți punctele de acces, diametrul și lungimea conductei, precum și distanța față de conductele principale, tipul obturației și prezența detergenților pentru țevi

sau a altor substanțe chimice. În cazul în care în țeava de scurgere se găsesc substanțe chimice, trebuie luate măsuri de siguranță corespunzătoare. Adresați-vă producătorului substanțelor chimice respective în vederea obținerii informațiilor necesare.

Nu operați acest dispozitiv dacă utilizatorul sau dispozitivul stă în apă. Operarea dispozitivului în timp ce se află în apă crește riscul de electrocutare.

Dacă este necesar, acoperiți zona de lucru. Curățarea țevilor de scurgere poate să producă murdărie.

Asigurați-vă că spirala este complet înfășurată. Astfel evitați lovitura ca de bici a spiralei la pornire.

Așezați mașina de desfundat conducte la o distanță de cel mult 60 cm față de deschiderea de conducte. Dacă mașina de desfundat conducte nu poate fi amplasată la șazeci de centimetri față de deschiderea de conducte, aceasta va trebui extinsă folosind o conductă de dimensiuni similare și fittinguri. În cazul unei distanțe mai mari, spirala poate fi doar cu greu controlată și este posibilă răsucirea, îndoirea sau ruperea acesteia.

Spirala și comutatorul pentru pornire/oprire trebuie operate de aceeași persoană. Dacă dispozitivul încetează să se rotească, utilizatorul trebuie să poată opri dispozitivul pentru a preveni răsucirea, îndoirea, ruperea sau biciuirea cablului.

Cu excepția situațiilor precizate în acest manual, spirala nu trebuie rotită înapoi. Operarea dispozitivului în sens invers timp îndelungat poate provoca deteriorarea cablului și a accesoriilor.

Bazați-vă întotdeauna pe simțul practic și fiți precauți la utilizarea dispozitivelor. Nu este posibilă anticiparea fiecărei situații care poate avea un rezultat periculos. Nu utilizați acest dispozitiv dacă nu înțelegeți aceste instrucțiuni de operare sau dacă simțiți că lucrarea vă depășește aptitudinea; contactați Milwaukee Tool sau un profesionist instruit pentru informații suplimentare sau instruire.

Nu înlăturați etichetele și plăcuțele de fabricație. Aceste plăcuțe conțin informații importante. Dacă aceste plăcuțe indicatoare devin ilizibile sau dacă lipsesc, adresați-vă serviciului pentru clienți MILWAUKEE pentru a le înlocui gratuit.

AVERTISMENT! Unele pulberi generate prin abraziune, tăiere, șlefuire, găurire și alte activități de construcție conțin substanțe chimice cunoscute ca provocând cancer, defecte congenitale sau alte daune asupra reproducerii. Câteva exemple de astfel de substanțe chimice sunt:

- plumbul din vopseaua pe bază de plumb
- cristalele de siliciu din cărămizi și ciment și din alte produse din zidărie și
- arsenicul și cromul din cheresteaua tratată chimic.

Riscul cauzat asupra dvs. de aceste expuneri variază în funcție de cât de des faceți acest tip de activitate.

Pentru a vă reduce expunerea la aceste substanțe chimice: lucrați într-o zonă bine ventilată și lucrați cu echipamente de siguranță aprobate, cum ar fi măștile de praf special concepute pentru a filtra particulele microscopice.

Folosiți echipament de protecție. Purtați întotdeauna ochelari de protecție când lucrați cu mașina. Se recomandă utilizarea hainelor de protecție ca de ex. Măști contra prafului, mânuși de protecție, încălțăminte stabilă nealunecoasă, cască și apăratoare de urechi.

Praful care apare când se lucrează cu această sculă poate fi dăunător sănătății și prin urmare nu trebuie să atingă corpul.

Purtați o mască de protecție corespunzătoare împotriva prafului. Nu se admite prelucrarea unui material care poate pune în pericol sănătatea operatorului (de exemplu azbestul).

La blocarea sculei demontabile vă rugăm să deconectați imediat aparatul! Nu conectați aparatul atâta timp cât scula demontabilă este blocată; dacă o faceți, s-ar putea să se producă un recul cu un cuplu mare de reacție. Găsiți și remediați cauza de blocare a sculei demontabile respectând indicațiile pentru siguranță.

Îndepărtați acumulatorul înainte de începerea lucrului pe mașina Nu aruncați acumulatorii uzați la containerul de reziduri menajere și nu îi ardeți. Milwaukee Distributors se oferă să recupereze acumulatorii vechi pentru protecția mediului înconjurător.

Nu depozitați acumulatorul împreună cu obiecte metalice (risc de scurtcircuit)

Acidul se poate scurge din acumulatorii deteriorați la încălziri sau temperaturi extreme. În caz de contact cu acidul din acumulator, spălați imediat cu apă și săpun. În caz de contact cu ochii, clătiți cu atenție timp de cel puțin 10 minute și apelați imediat la îngrijire medicală.

Pentru a reduce pericolul unui incendiu și evitarea rănilor sau deteriorarea produsului în urma unui scurtcircuit nu imersați scula, acumulatorul de schimb sau încărcătorul în lichide și asigurați-vă să nu pătrundă lichide în aparate și acumulatori. Lichidele corosive sau cu conductibilitate, precum apa sărată, anumite substanțe chimice și înalbitorii sau produse ce conțin înalbitori, pot provoca un scurtcircuit.

Folosiți numai încărcătoare System M18 pentru încărcarea acumulatorilor System M18. Nu folosiți acumulatori din alte sisteme.

Nu deschideți niciodată acumulatorii și încărcătoarele și pastrați-le numai în încăperi uscate. Pastrați-le întotdeauna uscate.

AVERTISMENT

 Această sculă conține o baterie rotundă specializată tip litiu. O baterie nouă sau folosită poate cauza arsuri interne severe și poate provoca chiar decesul chiar și în 2 ore dacă este înghițită sau dacă intră în corp. Asigurați mereu capacul de pe compartimentul cu baterii. Dacă nu se închide în mod sigur, opriți dispozitivul, îndepărtați bateria și nu o lăsați la îndemâna copiilor. Dacă suspectați că cineva a înghițit o baterie sau că aceasta a intrat în corp prin alte modalități, apelați de urgență la un medic.

CONDIȚII DE UTILIZARE SPECIFICATE

Mașina de desfundat conducte cu cablu spiralat este o mașină pentru desfundarea scurgerilor folosită pentru curățarea conductelor de scurgere secundare, cum ar fi cele din bucătării, băi și spații utilitare.

ONE-KEY™

Pentru a afla mai multe despre funcționalitatea ONE-KEY a acestei scule, vă rugăm să citiți Manualul atașat sau să ne vizitați site-ul pe <http://www.milwaukeekeetool.com/one-key>

Puteți descărca aplicația ONE-KEY de pe App Store sau Google Play pe Smartphone-ul dvs. Rezultatul verificării satisface cerințele noastre minime în conformitate cu EN 301 489-1 / EN 301 489-17. Vom transmite clientului ghidul operațional integrat în Manualul de utilizare.

Indicator ONE-KEY™	
Albastru permanent	Modul wireless este activ și este gata de a fi configurat prin intermediul aplicației ONE-KEY™.
Albastru intermitent	Dispozitivul comunică activ cu aplicația ONE-KEY™.

Roșu intermitent	Dispozitivul este în blocare de siguranță și poate fi deblocat de către proprietar prin aplicația ONE-KEY™.
------------------	---

ACUMULATORI

Acumulatorii care nu au fost utilizați o perioadă de timp trebuie reîncărcați înainte de utilizare

Temperatura mai mare de 50°C (122°F) reduce performanța acumulatorului. Evitați expunerea prelungită la căldură sau radiație solară (risc de supraîncălzire)

Contactele încărcătoarelor și acumulatorilor trebuie păstrate curate.

În scopul optimizării duratei de funcționare, bateriile trebuie reîncărcate complet după utilizare.

Pentru o durată de viață cât mai lungă, acumulatorii ar trebui scoși din încărcător după încărcare.

La depozitarea acumulatorilor mai mult de 30 zile: Acumulatorii se depozitează la ca. 27°C și la loc uscat. Acumulatorii se depozitează la nivelul de încărcare de ca. 30%-50%. Acumulatorii se încarcă din nou la fiecare 6 luni.

TRANSPORTUL ACUMULATORILOR CU IONI DE LITIU

Acumulatorii cu ioni de litiu cad sub incidența prescripțiilor legale pentru transportul de mărfuri periculoase.

Transportul acestor acumulatori trebuie să se efectueze cu respectarea prescripțiilor și reglementărilor pe plan local, național și internațional.

Consumatorii le este permis transportul rutier nerestricționat al acestui tip de acumulatori.

Transportul comercial al acumulatorilor cu ioni de litiu prin intermediul firmelor de expediție și transport este supus reglementărilor transportului de mărfuri periculoase. Pregătirile pentru expediție și transportul au voie să fie efectuate numai de către personal instruit corespunzător. Întregul proces trebuie asistat în mod competent.

Următoarele puncte trebuie avute în vedere la transportul acumulatorilor:

Pentru a se evita scurtcircuite, asigurați-vă de faptul că sunt protejate și izolate contactele. Aveți grijă ca pachetul de acumulatori să nu poată aluneca în altă poziție în interiorul ambalajului său. Este interzis transportarea unor acumulatori deteriorați sau care pierd lichid. Pentru indicații suplimentare adresați-vă firmei de expediție și transport cu care colaborați.

PROTECȚIE SUPRAÎNCĂRCARE ACUMULATOR

În cazul unei suprasolicitări a acumulatorului datorită unui consum excesiv de curent electric, de ex. datorită unor momente de turație extrem de înalte, a unei opriri subite sau a unui scurt circuit, scula electrică trepidează timp de 5 secunde, indicația stării de încărcare pâlpâie și scula electrică se deconectează de la sine. Pentru reconectare dați drumul intrerupătorului și conectați din nou.

În cazul unor sarcini extreme, acumulatorul se încinge prea tare. În acest caz toate lămpile indicației stării de încărcare pâlpâie până când acumulatorul s-a răcit. După ce indicația stării de încărcare s-a stins se poate lucra mai departe.

Pentru a-l reîncărca și activa, puneți acumulatorul în în aparatul de încărcare.

INDICAȚII SUPLEMENTARE ÎN VEDEREA UTILIZĂRII

Respectați imaginile pentru utilizarea normală.

Introduceți spirala în țevă printr-o mișcare ușoară înainte și înapoi, până când obturația este eliminată.

INDICAȚIE: Dacă scula se blochează, eliberați imediat comutatorul.



Ro

Eliberarea unui dispozitiv de curățat țevi blocat:

1. Rotiți comutatorul înainte/oprit/revers în poziția inversă și rotiți manșonul de alimentare la Spin 0.
2. Trageți scula înapoi câțiva centimetri, în sensul de rotație de înapoiere, pentru a elibera spirala.
3. Opriti dispozitivul.
4. După ce dispozitivul s-a oprit complet, comutați la loc comutatorul înainte/oprit/revers în poziția înainte.

ATENȚIE! Exploatarea continuă a sculei în sensul de rotație de înapoiere poate determina o deteriorare a spiralei și a accesoriilor.

Dacă este dificil să treceți cablul printr-un sifon sau un alt fitting, se pot utiliza următoarele metode sau o combinație de metode.

1. Mișcările de împingere direct în jos ale cablului, atât cu rotirea, cât și fără rotirea cablului, pot ajuta la trecerea cablului printr-un sifon.
2. Cu brațul părghieii eliberat, rotirea cablului cu mâna poate schimba orientarea cablului spiralat pentru a-i permite să treacă mai ușor prin fitting.
3. Operați mașina de desfudat conducte în rotație în REVERS timp de câteva secunde, în timp ce apăsați în jos cablul. Faceți acest lucru doar până când cablul pornește prin sifon. Operarea cablului în revers poate deteriora cablul.

Dacă această opțiune nu dă rezultate, încercați să utilizați un cablu cu diametrul mai mic sau un cablu mai flexibil.

MONTAREA SPIRALEI

Respectați imaginile pentru montarea spiralei.

AVERTIZARE! Spirala este tensionată și poate sări brusc înainte la montaj, ceea ce poate provoca rănirea. Purtați ochelari de protecție sau ochelari cu protecție laterală, pentru a menține riscul de rănire la un nivel cât mai scăzut posibil.

Purtați întotdeauna mănuși din piele.

Citiți instrucțiunile de utilizare. Folosiți echipament de protecție adecvat.

La utilizarea unui produs de curățare a țevilor puteți veni în contact cu chimicale, bacterii sau alte substanțe iritante, toxice sau infecțioase.

După utilizare spălați mâinile cu apă și săpun.

INTREȚINERE

Îndepărtați acumulatorul înainte de începerea lucrului pe mașina. Ștergeți spirala expusă cu o lavetă și introduceți-o la loc în tambur. Înainte de a depozita dispozitivul de curățat țevi, scoateți spirala complet în afară. Curățați spirala și infășurați-o fără să o tensionați. Utilizați numai accesorii și piese de schimb Milwaukee. Dacă unele din componente care nu au fost descrise trebuie înlocuite, vă rugăm contactați unul din agenții de service Milwaukee (vezi lista noastră pentru service / garanți).

Dacă este necesară, se poate comanda o imagine descompusă a sculei. Vă rugăm menționați numărul art. Precum și tipul mașinii tipărit pe etichetă și comandați desenul la agenții de service locali sau direct la Techtronic Industries GmbH, Max-Eyth-Straße 10, 71364 Winnenden, Germany.

DECLARAȚIE DE CONFORMITATE

Declarăm pe propria răspundere că produsul descris în capitolul „Date tehnice” îndeplinește toate cerințele relevante ale directivelor:

2011/65/UE (RoHS)

2006/42/CE

2014/30/UE

2014/53/UE

și au fost utilizate următoarele standarde armonizate
EN 62841-1:2015

EN 62841-3-14:2017

EN 55014-1:2017+A11:2020

EN 55014-2:2015

EN 62479:2010

EN 300 328 V2.2.2

EN 301 489-1 V2.2.3

EN 301 489-17 V3.1.1

EN IEC 63000:2018



Winnenden. 2020-11-17

Alexander Krug / Managing Director

Împuternicit să elaboreze documentația tehnică.

Techtronic Industries GmbH

Max-Eyth-Straße 10, 71364 Winnenden, Germany

SIMBOLURI



PERICOL! AVERTIZARE! ATENȚIE!



Va rugăm citiți cu atenție instrucțiunile înainte de pornirea mașinii



Purtați întotdeauna ochelari de protecție când utilizați mașina.



Purtați întotdeauna mănuși de protecție – de preferință din piele!



Îndepărtați acumulatorul înainte de începerea lucrului pe mașina



Accesoriu - Nu este inclus în echipamentul standard, disponibil ca accesoriu



Nu suprasolicitați cablurile.

Cablurile suprasolicitate pot cauza răsuciri, îndoiri sau ruperi de cablu, ceea ce poate duce la vătămări personale grave.



Selectare auto-alimentare/retragere pornită



Selectare auto-alimentare/retragere oprită



rotire în sens orar (înainte)



rotire în sens antiorar (revers)



Aparatele electrice, bateriile/acumulatorii nu se elimină împreună cu deșeurile menajere. Aparatele electrice și acumulatorii se colectează separat și se predau la un centru de reciclare, în vederea eliminării ecologice. Informați-vă de la autoritățile locale sau de la comercianții acreditați în legătură cu centrele de reciclare și de colectare.



Această sculă conține o baterie rotundă specializată tip litiu.

n_o Viteza de mers în gol

V Tensiune



Curent continuu



Marcă de conformitate europeană



Marcă de conformitate britanică



Marcă de conformitate ucraineană



Marcă de conformitate eurasiatică

Технички податоци	M18 FSSM
Склоплива машина за одводни канали	
Производен број	4749 26 02... ... 000001-999999
Волтажа на батеријата	18 V ⁻⁻⁻
Брзина без оптоварување n_0	0 - 700 min ⁻¹
Фреквентна лента (фреквентни ленти) за блутут	2402-2480 MHz
моќност на предавателот	1,8 dBm
Верзија блутут	4,0 BT signal mode
Брзина на довод / повлекување макс.	31 cm/s
Големина на кабел на чистач за одвод	ø 22 mm (7/8") & ø 32 mm (1 1/4")
Должина на кабел на склоплив чистач за одвод	4,5 m
Макс. должина на кабел на чистач за одвод	60 m
Препорачан дијаметар на цевка	ø 50 - 200 mm
Должина на водечка цевка/водечко црево	3500 mm
Големина на водечка цевка/водечко црево	ø 50 mm
Тежина според ЕПТА-процедурата 01/2014 (со литиум-јонска батерија 12,0 Ah)	33,32 kg
Тежина без акумулатор, кабел за одвод и водечко црево.	31,75 kg
Тежина без акумулатор, но со водечко црево	37,55 kg
Препорачана температура на околината за работа	-18°C ... +50°C
Препорачани комплети акумулаторски батерии	M18HB...; M18B...
Препорачани полначи	M12-18...; M1418C6
Информации за бучавата	
Измерените вредности се одредени согласно стандардот EN 62841. A-оценетото ниво на бучава на апаратот типично изнесува:	
Ниво на звучен притисок. (Несигурност K=3dB(A))	69,21 dB (A)
Ниво на јачина на звук. (Несигурност K=3dB(A))	80,21 dB (A)
Носете штитник за уши.	



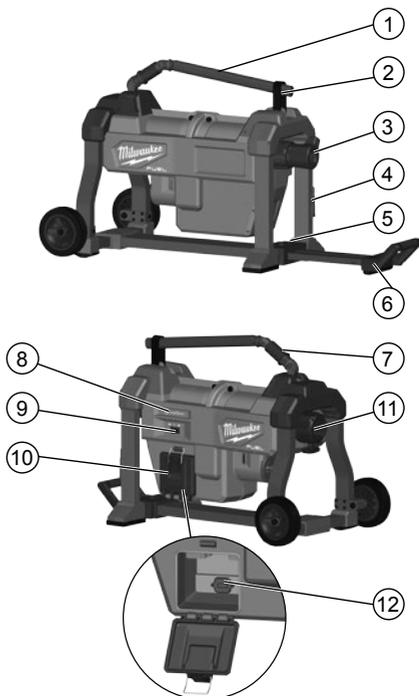
ПРЕДУПРЕДУВАЊЕ

Вредноста на емисија на бучава дадена во овој проспект е измерена според методот на тестирање стандардизиран во EN 62841 и може да се користи за споредување алатки една со друга. Исто така вредноста е соодветна за прелиминарна проценка на оптоварувањето со бучава.

Наведената вредност за емисија на бучава се однесува на главните употреби на алатката. Меѓутоа, ако алатката се користи за други намени или со поинакви додатоци или слабо се одржува, вредноста на емисијата на бучава може да отстапува. Ова може значително да го зголеми оптоварувањето со бучава во текот на целиот работен период. За точна проценка на оптоварувањето со бучава треба да се земат предвид и периодите кога алатката е исклучена, или работи, но всушност не се употребува. Ова може значително да го намали оптоварувањето во текот на целиот работен период. Дефинирајте дополнителни безбедносни мерки за заштита на операторот од ефектите од бучавата, како што се: одржување на алатката и додатоците и организирање на работните процеси.

Носете штитник за уши. Влијанието на бука може да предизвика губење на сетилото за слух.

⚠ ПРЕДУПРЕДУВАЊЕ! Прочитајте ги сите безбедносни напомени, упатства, цртежи и податоци, коишто ги добивате заедно со уредот. Доколку не ги почитувате следните упатства, може да дојде до електричен удар, до пожар и/или до тежки повреди. **Сочувајте ги сите безбедносни упатства и инструкции за во иднина.**



Опис на уредот

- | | |
|---------------------------------------|-------------------------------------|
| ① Крак на лост | ⑧ ONE-KEY™ индикатор |
| ② Кука за носење | ⑨ Нанапред/Исклучи/
Наназад |
| ③ Доводен прстен | ⑩ Врата за акумулатор |
| ④ Кука за кабелот | ⑪ Задна спојка за водечко
црево |
| ⑤ Копче за ослободување
на рачката | ⑫ Вратичка за батеријата
ONE KEY |
| ⑥ Телескопска рачка | |
| ⑦ Прстен на крак на лост | |

▲ БЕЗБЕДНОСНИ НАПОМЕНИ ЗА ЧИСТЕЊЕ НА ЦЕВКАТА

Секогаш користете го задното водечко црево додека го користите алатот и осигурајте се кабелот да не се истегнува над задното водечко црево. Ова спречува да не дојде до камшикување на кабелот што може да доведе до заплеткување и телесна повреда.

Чистачот на цевки е наменет само за цевки со дадена големина. Употребата на чистач на цевки со погрешна големина може да доведе до извртување, виткање или кршење на спиралата или до повреди.

Спиралата што се врти треба да се фати само со ракавиците кои се препорачани од страна на производителот. Ракавици од латекс, широки ракавици или крпи може да се намотаат околу спиралата и да предизвикаат тешки повреди.

Осигурајте се дека врвот на спиралата не се заквачува додека се спиралата се врти. Во спротивно спиралата може да биде преоптоварена и да се врти прекумерно, да се свитка или да се скрши, што може да доведе до тешки повреди.

Ако издувната цевка што треба да се исчисти содржи хемикалии, бактерии или други токсични супстанции на пр. предизвикувачи на инфекции, тогаш користете латекс или гумени ракавици и заштитни очила, штитник за лице, заштитна облека и респиратор, препорачани од производителот. Цевките може да содржат хемикалии, бактерии или други супстанции, кои може да бидат токсични или да предизвикаат инфекции, кои пак може да доведат до повреди со киселина или до други тешки повреди.

Придржувајте се до добрата хигиенска пракса. Додека ракувате со алатката, немојте да ја дедете или да пушите. По ракувањето односно по чистењето на цевката, рацете или другите делови од телото кои дошле во контакт со содржината на цевката, треба секогаш да се измијат со топла вода и сапун. Ве молиме да избегнувате ризици по здравјето врз основа на контакт со токсични или материи што може да предизвикаат инфекции.

Останати безбедносни и работни упатства

Носете ракавици на кабелот кога работи алатот. Тоа овозможува подобра контрола на кабелот и помага да се спречи виткање, свиткување или прекршување на кабелот и може да доведе до сериозна телесна повреда.

Пред употребата, проверете дали на спиралите постојат траги од абеење или оштетување. Заменете ја изабената или оштетената спирала пред употреба на чистачот на цевки.

Спиралата да не се извртува или прекумерно да се витка. Кршењето на спиралата може да предизвика тешки повреди.

Прегледајте ја цевката што треба да се чисти пред употребата на уредот. Утврдете ги, доколку е можно,

пристапните точки, дијаметри и должини на цевките како и оддалеченоста на главните водови, видот на заткување и присуството за средства за чистење на цевки и други хемикалии. Доколку во издувната цевка се наоѓаат хемикалии, потребно е да се преземат потребни безбедносни мерки. Обратете се до производителот на хемикалијата, за да добиете соодветни информации.

Не го користете алатот ако корисникот на алатот стои во вода. Користењето на алатот во вода го зголемува ризикот од електричен удар.

Доколку е потребно, ве молиме да ја заштитите работната површина. Чистењето на издувните цевки може да биде нечиста работа.

Осигурајте се дека спиралата е целосно намотана. На тој начин ќе го спречите удирањето на спиралата што потсетува на бичување при вклучувањето на алатката.

Ставете го чистачот за одводот на растојание не поголемо од 60 см од отворот за одвод. Ако чистачот за одводот не може да се постави во рамки на 60 см од отворот за одвод, тогаш отворот за одвод ќе треба да се продолжи користејќи цевка и приклучоци со слична големина. Во случај на поголемо растојание спиралата може тешко да се контролира и може да дојде до нејзино извртување, виткање или кршење.

Со спиралата и со копчето за вклучување/исклучување треба да ракува едно исто лице. Ако алатот престане да се врти, корисникот мора да може да го исклучи алатот за да спречи виткање, свиткување, кршење или камшикување на кабелот.

Со исклучот на ситуациите, наведени во упатството за употреба, спиралата не може да се врти наназад. Работењето на алатот во обратна насока одреден продолжен период може да предизвика штета на кабелот и на додаточите.

Секогаш постапувајте со здрав разум и бидете внимателни кога користите алати. Не е возможно да се предвиди секоја ситуација која може да доведе до опасен исход. Немојте да го користите алатот ако не ги разбирате упатствата за работа или ако мислите дека не сте способни да ја вршите работата; за дополнителни информации или обука, контактирајте го Milwaukee Tool или обучен професионалец.

Немојте да ги отстранувате етикетите и плочките со упатства. Овие плочки содржат важни информации. Ако плочките повеќе не се читливи или недостигаат, обратете се до сервисната служба на MILWAUKEE, за да добиете замена на истите.

ПРЕДУПРЕДУВАЊЕ! Некои прашилки настанати со електрично шмирглање, сецење, брусење, дупчење и други градежни активности содржат хемикалии коишто предизвикуваат рак, вродени дефекти или други репродуктивни нарушувања. Некои примери за вакви хемикалии се:

- олово од боја на база на олово
- кристален силикат од цигли и цемент и други ѕидарски производи и
- арсеник и хром од хемиски третирана дрвена граѓа.

Ризикот од овие изложувања варира во зависност од тоа колку често го вршите овој тип работа.

За да ја намалите изложеноста на овие хемикалии: работете во добро проветрено место и работете со одобрена заштитна опрема како на пример маски за прашина коишто се специјално наменети за филтрирање на микроскопски честички.

Употребувајте заштитна опрема. При работа со машината постојано носете заштитни очила. Се препорачува заштитна



Mak

облека како: маска за заштита од прашина, заштитни ракавици, цврсти чевли што не се лизгаат, кацига и заштита за уши.

Пршината која се создава при користење на овој алат може да биде штетна по здравјето. Не ја вдишувајте. Носете соодветна заштитна маска.

Не смеат да бидат обработувани материјали кои што можат да го заргозат здравјето (на пр. азбест).

Доколку употребуваното орудие се блокира, молиме веднаш да се исклучи апаратот! Не го вклучувајте апаратот повторно додека употребуваното орудие е блокирано; притоа би можело да дојде до повратен удар со висок момент на реакција. Испитајте и отстранете ја причината за блокирањето на употребеното орудие имајќи ги во предвид напомените за безбедност.

Извадете го батерискиот склоп пред отпочнување на каков и да е зафат врз машината.

Не ги оставајте искористените батерии во домашниот отпад и не горете ги. Дистрибутерите на Милвоки ги собираат старите батерии, со што ја штитат нашата околина.

Не ги чувајте батериите заедно со метални предмети (ризик од краток спој).

Киселината од оштетените батериите може да истече при екстреман напон или температури. Доколку дојдете во контакт со исатата, измијте се веднаш со сапун и вода. Во случај на контакт со очите плакнете ги убаво најмалку 10 минути и задолжително одете на лекар.

За да избегнете опасноста од пожар, од наранувања или од оштетувања на производот, коишто ги создава краток спој, не ја потопувајте во течност алатката, заменливата батерија или полначот и пазете во уредите и во батериите да не проникнуваат течности. Корозивни или електроспроводливи течности, како солена вода, одредени хемикалии, избелувачки препарати или производи кои содржат избелувачки супстанции, можат да предизвикаат краток спој.

Користете исклучиво Систем M18 за полнење на батерии од M18 систем. Не користете батерии од друг систем.

Не ги отворајте насилно батериите и полначите, и чувајте ги само на суво место. Чувајте ги постојано суви.

ПРЕДУПРЕДУВАЊЕ

 Овој уред содржи една копча литумска батерија. Доколку се голтне, или доколку влезе во телото, нова или стара батерија може да предизвика тешки внатрешни изгореници и да доведе до смрт за помалку од два часа. Секогаш обезбедувајте го поклопецот на батеријата. Доколку не се затвора добро, запрете го уредот, извадете ја батеријата и држете ја понастрана од деца. Ако мислите дека батеријата била голтната или дека влегла во телото, веднаш побарајте лекарска помош.

СПЕЦИФИЦИРАНИ УСЛОВИ НА УПОТРЕБА

Склопливата машина за одводни канали е машина за чистење на одводот која се користи за чистење на секундарни одводни линии, како што ги има во кујните, купатилата и помошните простории.

ONE-KEY™

За да дознаете повеќе за ONE-KEY функционалноста на овој алат, прочитајте го приложеното Упатство за брз старт или посетете нè на интернет на <http://www.milwaukeeetool.com/one-key>.

Апликацијата ONE-KEY можете да ја симнете на Вашиот смартфон преку App Store или Google Play. Резултатот од инспекцијата ги исполнува нашите минимални барања според EN 301 489-1 / EN 301 489-17. Во прирачникот за корисници на муштериите ќе им дадеме упатство за ракување.

ONE-KEY™ индикатор	
Непрекинато сино	Безичниот режим е активен и подготвен да се конфигурира преку апликацијата ONE-KEY™.
Трепкаво сино	Алатот активно комуницира со апликацијата ONE-KEY™.
Трепкаво црвено	Алатот е во безбедно заклучување и може да го отклучи сопственикот преку апликацијата ONE-KEY™.

БАТЕРИИ

Батериите кои не биле користени подолго време треба да се наполнат пред употреба.

Температура повисока од 50°C (122°F) го намалуваат траењето на батериите. Избегнувајте подолго изложување на батериите на високи температури или сонце (ризик од прегревање).

Клемите на полначот и батериите мора да бидат чисти.

За оптимален работен век батериите мора да се наполнат целосно по употреба.

За можно подолг век на траење, апаратите после нивното полнење треба да бидат извадени од апаратот за полнење на батериите.

Во случај на складирање на батеријата подолго од 30 дена: Акумулаторот да се чува на температура од приближно 27°C и на суво место. Акумулаторот да се складира на приближно 30%-50% од состојбата на наполнетост. Акумулаторот повторно да се наполни на секои 6 месеци.

ТРАНСПОРТ НА ЛИТИУМ-ЈОНСКИ БАТЕРИИ

Литуим-јонските батерии подлежат на законските одредби за транспорт на опасни материи.

Транспортот на овие батерии мора да се врши согласно локалните, националните и меѓународните прописи и одредби.

Потрошувачите на овие батерии може да вршат непречен патен транспорт на истите.

Комерцијалниот транспорт на литуим-јонски батерии од страна на шпедитерски претпријатија подлежат на одредбите за транспорт на опасни материи. Подготовките за шпедиција и транспорт треба да ги вршат исклучиво соодветно обучени лица. Целокупниот процес треба да биде стручно надгледуван.

При транспортот на батерии треба да се внимава на следното: Осигурајте се дека контактите се заштитени и изолирани, а сето тоа со цел да се избегнат кратки споеви. Внимавајте да не дојде до измествување на батериите во нивната амбалажа. Забранет е транспорт на оштетени или протечени литуим-јонски батерии. За понатамошни инструкции обратете се до Вашето шпедитерско претпријатие.

ЗАШТИТА ОД ПРЕОПТЕРЕТУВАЊЕ НА БАТЕРИЈАТА

При преоптеретување на батеријата како резултат на мошне висока потрошувачка на струја, на пример екстремно високи вртежни моменти, ненадејно стопирање или краток спој, електро-алатот вибрира 5 секунди, приказот за полнење трепка и електро-алатот самостојно се исклучува. За повторно вклучување ослободете го притискачот на прекинувачот, а потоа повторно вклучете. Во случај на екстремни оптоварувања батеријата се загрева премногу. Во таков случај трепкаат сите ламбички од приказот за полнење сè додека батеријата не се излади. По гаснење на приказот за полнење може да се продолжи со работа. Тогаш ставете ја батеријата во уредот за полнење за повторно да ја напоните и активирате.

ДОПОЛНИТЕЛНИ СОВЕТИ ЗА УПОТРЕБА

Обрнете внимание на илустрациите за нормална употреба. Повлечете ја спиралата во цевката со лесно придвижување напред-назад, се додека не се отстрани затнувањето.

УПАТСТВО: Кога алатката ќе се блокира, веднаш да се пушти прекинувачот

Ослободување на блокиран чистач на цевки:

1. Ставете го прекинувачот за наанапред/исклучи/нааназад на позицијата за нааназад, а потоа завртете го доводниот прстен на 0 вртење.
2. Алатката се привржува во правец нааназад и се повлекува неколку сантиметри, за да се ослободи спиралата.
3. Запрете го алатот.
4. По целосното запирање на алатот, вратете го прекинувачот за наанапред/исклучи/нааназад на позицијата за наанапред.

ВНИМАНИЕ! Непрекинато работење на алатката може да доведе до оштетување на спиралата и на приборот.

Ако е тешко да се помине со кабелот низ сифон или друг приклучок, може да се користат следните методи или комбинација на методи.

1. Остри надолни убоди на кабелот, заедно со и без вртење на кабелот, може да му помогнат на кабелот да помине низ сифонот.
2. Со ослободен крак на лостот, вртејќи го рачно кабелот може да се промени ориентацијата на секачот за да се овозможи многу полесно заклучување на приклучокот.
3. Вклучете го чистачот за одвод со вртење нааназад неколку секунди додека притискате надолу на кабелот. Правете го ова само доволно долго за да помине кабелот низ сифонот. Вртењето на кабелот нааназад може да го оштети кабелот.

Ако овие опции не работат, користете помал дијаметар или поеластичен кабел.

МОНТИРАЊЕ НА СПИРАЛАТА

За монтирање на спиралата обрнете внимание на илустрациите.

ОПОМЕНА! Спиралата е под притисок и при монтажата може да излета неочекувано, што може да доведе до повреди. Носете заштитни очила или очила со странична заштита, со цел опасноста од повреди да биде на најниско можно ниво.

Секогаш носете кожни ракавици.

Прочитајте го упатството за употреба. Користете соодветна заштитна опрема.

При употребата на чистачот на цевки може да дојдете во контакт со хемикалии, бактерии или други нагривувачки, токсични или заразни супстанции.

По употребата рацете да се измијат со топла вода и сапун.

ОДРЖУВАЊЕ

Извадете го батерискиот склоп пред отпочнување на каков и да е зафат врз машината.

Спиралата да се избрише со крпа и повторно да вметне во барабанот.

Пред да се складира чистачот на цевки, спиралата целосно да се извади. Спиралата да се исчисти и пополека да се намота.

Користете само Milwaukee додаточи и резервни делови. Доколку некои од компонентите кои не се опишани треба да бидат заменети, Ве молиме контактирајте ги сервисните агенти на Milwaukee (консултирајте ја листата на адреси).

Доколку е потребно можно е да биде набавен детален приказ на алатот. Ве молиме наведете го бројот на артиклот како и типот на машина кој е отпечатан на етикетата и порачајте ја скицата кај локалниот застапник или директно кај: Techtronic Industries GmbH, Max-Eyth-Straße 10, 71364 Winnenden, Germany.

ЕУ-ДЕКЛАРАЦИЈА ЗА СООБРАЗНОСТ

Под целосна лична одговорност изјавуваме дека производот опишан во „Технички податоци“ е во сообразност со сите релевантни прописи од директивите:

2011/65/EU (RoHS)

2006/42/EC

2014/30/EU

2014/53/EU

и дека се применети следните хармонизирани стандарди

EN 62841-1:2015

EN 62841-3-14:2017

EN 55014-1:2017+A11:2020

EN 55014-2:2015

EN 62479:2010

EN 300 328 V2.2.2

EN 301 489-1 V2.2.3

EN 301 489-17 V3.1.1

EN IEC 63000:2018



Winnenden. 2020-11-17

Alexander Krug / Managing Director

Ополномоштен за составување на техничката документација.

Techtronic Industries GmbH

Max-Eyth-Straße 10, 71364 Winnenden, Germany

СИМБОЛИ



ВНИМАНИЕ! ПРЕДУПРЕДУВАЊЕ! ОПАСНОСТ!



Ве молиме пред да ја стартувате машината обрнете внимание на упатствата за употреба.



Секогаш при користење на машината носете ракавици.



Секогаш да се носат заштитни ракавици – првенствено од кожа!



Извадете го батерискиот склоп пред отпочнување на каков и да е зафат врз машината.



Дополнителна опрема - Не е вклучена во стандардната, а достапна е како додаток.



Не ги преоптоварувајте каблите.

Преоптоварувањето на каблите може да предизвика виткање, свиткување или прекршување на кабелот и може да доведе до сериозна телесна повреда.



Автоматски довод / избор на повлекување вклучено



Автоматски довод / избор на повлекување исклучено



вртење на десно (нанапред)



вртење на лево /наназад)



Електричните апарати и батериите што се полнат не смеат да се фрлат заедно со домашниот отпад. Електричните апарати и батериите треба да се собираат одделно и да се однесат во соодветниот погон заради нивно фрлање во склад со начелата за заштита на околината. Информирајте се кај Вашите местни служби или кај специјализираниот трговски претставник, каде има такви погони за рециклажа и собирни станици.



Овој уред содржи една копчеста литиумска батерија.

n₀ Брзина без оптоварување

V Напон

--- Истосмерна струја



Европска ознака за сообразност



Британска ознака за сообразност



Украинска ознака за сообразност

001



Евроазиска ознака за сообразност

Технічні характеристики	M18 FSSM
Секційна машина для очищення дренажних труб	
Номер виробу	4749 26 02... ... 000001-999999
Напруга знімної акумуляторної батареї	18 V \equiv
Кількість обертів холостого ходу n_0	0 - 700 min ⁻¹
Діапазон частот Bluetooth (діапазони частот)	2402-2480 MHz
потужність радіовипромінювання	1,8 dBm
Версія Bluetooth	4,0 BT signal mode
Швидкість подачі/втягування макс.	31 cm/s
Розмір тросу для очищення дренажних труб	\varnothing 22 mm (7/8") & \varnothing 32 mm (1 1/4")
Довжина секційного троса для очищення дренажних труб	4,5 m
Макс. довжина троса для очищення дренажних труб	60 m
Рекомендований діаметр труби	\varnothing 50 - 200 mm
Довжина прямого шланга/напрямної трубки	3500 mm
Розмір прямого шланга/напрямної трубки	\varnothing 50 mm
Вага згідно з процедурою ЕРТА 01/2014 (з літій-іонним акумулятором 12,0 Ah)	33,32 kg
Вага без акумулятора, троса для очищення дренажних труб та прямого шланга.	31,75 kg
Вага без акумулятора, але з прямим шлангом	37,55 kg
Температура навколишнього середовища, рекомендована для експлуатації	-18°C ... +50°C
Рекомендовані акумулятори	M18HB...; M18B...
Рекомендовані зарядні пристрої	M12-18...; M1418C6
Інформація про шум	
Виміряні значення визначені згідно з EN 62841. Рівень шуму „А“ приладу становить в типовому випадку:	
Рівень звукового тиску (похибка К = 3 дБ(А))	69,21 dB (A)
Рівень звукової потужності (похибка К = 3 дБ(А))	80,21 dB (A)
Використовувати засоби захисту органів слуху!	



ПОПЕРЕДЖЕННЯ

Рівень шуму, вказаний в цьому технічному бюлетені, вимірювався згідно з методом перевірки, нормованим стандартом EN 62841, і може використовуватися для порівняння інструментів. Він призначений також для попередньої оцінки навантаження.

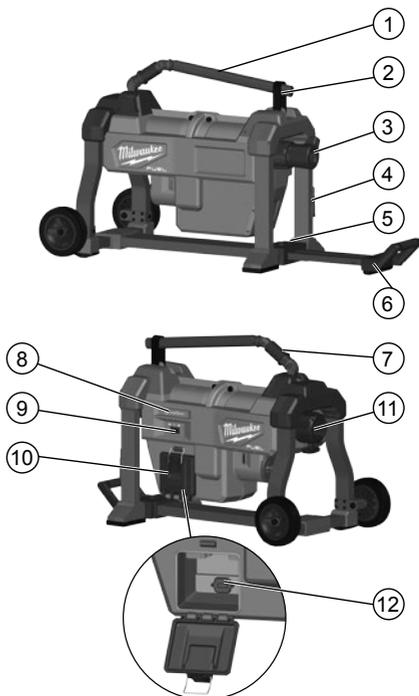
Вказаний рівень шуму відповідає основним сферам використання інструменту. Однак якщо інструмент використовується для інших застосувань або з різними приладами або незадовільно обслуговується, рівень шуму може відрізнятись. Це може значно підвищити навантаження за весь період роботи.

Для точної оцінки навантаження від шуму необхідно також враховувати час, коли інструмент вимкнений або увімкнений, але фактично не використовується. Це може значно знизити навантаження за весь період роботи.

Визначте додаткові заходи безпеки для захисту оператора від дії шуму, наприклад: технічне обслуговування інструменту і приладдя та організація робочих процесів.

Користуйтеся засобами захисту органів слуху. Вплив шуму може спричинити втрату слуху.

⚠ ПОПЕРЕДЖЕННЯ! Ознайомтеся з усіма вказівками щодо техніки безпеки, інструкціями, ілюстраціями та відомостями, що було надано разом із приладом. Недотримання наведених далі інструкцій може спричинити ураження електричним струмом, пожежу та/або тяжкі травми. **Зберігайте всі вказівки з техніки безпеки та інструкції на майбутнє.**



Опис пристрою

- | | |
|---------------------------------|--|
| ① Рукотка важеля | ⑧ Індикатор ONE-KEY™ |
| ② Гачок для перенесення | ⑨ Передній хід/вимкнено/
зворотний хід |
| ③ Обруч подачі | ⑩ Кришка акумулятора |
| ④ Гачок троса | ⑪ З'єднання заднього
напрямого шланга |
| ⑤ Кнопка розблокування
ручки | ⑫ Кришка акумуляторного
відсіку ONE-KEY |
| ⑥ Телескопічна ручка | |
| ⑦ Обруч рукоятки важеля | |

ВКАЗІВКИ З ТЕХНІКИ БЕЗПЕКИ ПІД ЧАС ЧИЩЕННЯ ТРУБ

Під час роботи інструмента завжди використовуйте задній напрямний шланг і стежте за тим, щоб трос не виходив за межі заднього прямого шланга. Таким чином, ви можете запобігти намотуванню троса, яке може спричинити заплутування та призвести до тілесних ушкоджень.

Пристрій для чищення труб призначений тільки для труб вказаного розміру. Використання пристрою для чищення труб не відповідного розміру може привести до скручування, перегину або зламу спіралі та до важких травм.

Тримати спіраль, що обертається, дозволяється тільки в рукавичках, рекомендованих виробником. Латексні або вільно сидять рукавички, а також серветки можуть намотатися на спіраль і привести до важких травм.

Переконайтеся, що вістря спіралі не зачіпляється при обертанні спіралі. Це загрожує перевантаженням спіралі, її надмірним скручуванням, перегиним або зламом та як наслідок - важкими травмами.

Якщо у випускній трубі, що підлягає очищенню, передбачається наявність хімікатів, бактерій або токсичних субстанцій, наприклад збудників інфекції, під рекомендовані виробником захисні рукавички надіньте латексні або гумові рукавички, а також захисні окуляри, захисний щиток для обличчя, захисний одяг та респіратор. Трубопроводи можуть містити хімікати, бактерії та інші субстанції, які можуть бути токсичними або заразними і викликати роздратування або важкі ушкодження.

Виконуйте правила гігієни. Не слід палити та приймати їжу під час користування пристроєм. Після використання пристрою для чищення труб необхідно ретельно вмити руки та інші частини тіла, що мали контакт з вмістом труб, теплою водою з милом. Це дозволить уникнути ризиків для здоров'я в результаті контакту з токсичними речовинами і збудниками інфекції.

Додаткові інструкції з техніки безпеки та експлуатації Коли інструмент працює, тримайте трос рукою в рукавиці. Таким чином, ви можете краще контролювати трос і запобігти його скручуванню, згинанню або розриву, що може призвести до серйозних травм.

Перед застосуванням перевірте спіраль на наявність слідів зносу й пошкоджень. Замініть зношену або пошкоджену спіраль, перш ніж користатися пристроєм для чищення труб.

Не допускайте скручування, перегину та надмірного згинання спіралі. Злам спіралі може привести до важких травм.

Перед використанням пристрою перевірте трубу, що підлягає очищенню. Визначте точку(и) доступу, діаметр і довжину трубопроводу наскільки це можливо, а також відстань до основних трубопроводів, вид засмічення і наявність засобів для очищення труб і інших хімікатів. Якщо у випускній трубі містяться хімікати, слід вжити відповідні заходи безпеки. Зверніться до виробника хімікатів для отримання необхідної інформації.

Не користуйтеся цим інструментом, якщо користувач або інструмент стоїть у воді. Робота з інструментом під час знаходження у воді збільшує ризик ураження електричним струмом.

Накрийте робочу зону при необхідності. Очищення випускних труб - звичайні дуже брудна робота.

Переконайтеся, що спіраль повністю намотана. Це дозволить уникнути хлестоподібного удару при вклученні.

Розміщуйте очищувач дренажних труб на відстані не більше 60 см від зливного отвору. Якщо очищувач дренажних труб не можна розмістити на відстані 60 см від зливного отвору, зливний отвір необхідно подовжити за допомогою труби та фітінгів аналогічного розміру. При більшій відстані не можна забезпечити належний контроль над спіраллю, що може привести до її скручування, перегину або зламу.

Спіраль і вимикач мають бути в управлінні однієї людини. Якщо інструмент припиняє обертатися, то користувач повинен мати можливість вимкнути інструмент, щоб уникнути скручування, згинання, розриву або намотування троса.

За винятком ситуацій, приведених в цій інструкції, спіраль не слід обертати у зворотному напрямі. Тривала експлуатація інструмента у зворотному напрямку обертання може призвести до пошкодження троса та приладдя.

Завжди керуйтеся загальними правилами раціональної поведінки та будьте обережні під час роботи з інструментами. Неможливо передбачити всі ситуації, які можуть мати небезпечні наслідки. Не використовуйте інструмент, якщо ви не розумієте ці інструкції з експлуатації або якщо ви вважаєте, що ваші здібності недостатні для виконання роботи; зверніться в компанію Milwaukee Tool або до досвідченого спеціаліста для отримання додаткової інформації чи проведення інструктажу.

Не видаляйте етикетки та фірмові щітки. Вони містять важливу інформацію. Якщо текст на вказівних табличках стає нечитабельним або відсутній, зверніться до служби підтримки MILWAUKEE для безкоштовної заміни табличок.

ПОПЕРЕДЖЕННЯ! Пил, що виникає під час механічного шліфування, пиляння, свердління та інших будівельних робіт, може містити хімічні речовини, які викликають рак, порушення репродуктивної функції та інші розлади репродуктивної системи. Деякі приклади таких хімічних речовин указано нижче.

- Свинець із фарб, які містять свинець
- Кристалічний діоксид кремнію з цеглин і цементу та інших матеріалів для стінобудування
- Миш'як і хром із хімічно оброблених лісоматеріалів.

Ризик ураження цими хімікатами залежить від частоти виконання робіт цього типу.

Для зниження ризику ураження цими хімікатами: працюйте у добре вентильованих приміщеннях, використовуйте затверджене захисне спорядження, наприклад респіратори, спеціально призначені для фільтрації мікроскопічних частинок. Використовуйте індивідуальні засоби захисту. Під час роботи з машиною завжди носіть захисні окуляри. Радимо

використовувати захисний одяг, як наприклад маску для захисту від пилу, захисні рукавиці, міңце та нековзне взуття, каску та засоби захисту органів слуху.

Пил, що утворюється під час роботи, часто буває шкідливим для здоров'я; він не повинен потрапляти в організм. Носити відповідну маску для захисту від пилу.

Не можна обробляти матеріали, небезпечні для здоров'я (наприклад, азбест).

При блокуванні вставного інструменту негайно вимкнути прилад! Не виймайте прилад, якщо вставний інструмент заблокований; при цьому може виникати віддача з високим зворотнім моментом. Визначити та усунути причину блокування вставного інструменту з урахуванням вказівок з техніки безпеки.

Перед будь-якими роботами на приладі вийняти змінну акумуляторну батарею.

Відпрацьовані знімні акумуляторні батареї не можна кидати у вогонь або викидати з побутовими відходами. Milwaukee пропонує утилізацію старих знімних акумуляторних батарей, безпечну для довкілля; зверніться до свого дилера.

Не зберігати знімні акумуляторні батареї разом з металевими предметами (небезпека короткого замикання).

При екстремальному навантаженні або при екстремальній температурі з пошкодженої змінної акумуляторної батареї може витікати електроліт. При потрапленні електроліту на шкіру його негайно необхідно змити водою з милом. При потрапленні в очі їх необхідно негайно ретельно промити, щонайменше 10 хвилин, та негайно звернутися до лікаря.

Для запобігання небезпеці пожежі в результаті короткого замикання, травмам і пошкодженню виробів не занурюйте інструмент, змінний акумулятор або зарядний пристрій у рідину і не допускайте потраплення рідини всередину пристроїв або акумуляторів. Корозійні і струмопровідні рідини, такі як солоний розчин, певні хімікати, вибілювальні засоби або продукти, що їх містять, можуть призвести до короткого замикання.

Знімні акумуляторні батареї системи M18 заряджати лише зарядними пристроями системи M18. Не заряджати акумуляторні батареї інших систем.

Не відкривати знімні акумуляторні батареї і зарядні пристрої та зберігати їх лише в сухих приміщеннях. Берегти від вологи.



ПОПЕРЕДЖЕННЯ



Пристрій використовує кнопковий/плаский круглий літійовий акумулятор. Новий або використаний акумулятор може спричинити сильні внутрішні опіки та призвести до смерті протягом 2 годин у разі проковтування чи потраплення в організм. Завжди закріплюйте кришку акумуляторного відсіку. Якщо вона не закривається надійно, зупиніть пристрій, вийміть акумулятор і зберігайте його в недоступному для дітей місці. Якщо ви вважаєте, що людина проковтнула акумулятор чи що акумулятор іншим шляхом потрапив в організм, зверніться за терміновою медичною допомогою.

ВИКОРИСТАННЯ ЗА ПРИЗНАЧЕННЯМ

Секційна машина для очищення дренажних труб — це машина, що використовується для очищення допоміжних зливних трубопроводів, наприклад, у кухнях, ванних кімнатах і господарських приміщеннях.

ONE-KEY™

Додаткову інформацію щодо функції ONE-KEY цього інструмента див. в наданому короткому посібнику щодо початку роботи або на нашому інтернет-сайті <http://www.milwaukeekeetool.com/one-key>.

Можна завантажити застосунок ONE-KEY через App Store або Google Play на ваш смартфон. Результат випробування відповідає нашим мінімальним вимогам згідно з EN 301 489-1 / EN 301 489-17. Ми надамо замовнику інструкції з експлуатації в посібнику користувача.

Індикатор ONE-KEY™	
Горить синім	Режим бездротового зв'язку активний і готовий до налаштування конфігурації за допомогою програми ONE-KEY™.
Блимає синім	Інструмент здійснює обмін даними з програмою ONE-KEY™.
Блимає червоним	Інструмент заблоковано з міркувань безпеки; власник може розблокувати його за допомогою програми ONE-KEY™.



АКУМУЛЯТОРНІ БАТАРЕЇ

Знімну акумуляторну батарею, що не використовувалася тривалий час, перед використанням необхідно підзарядити.

Температура понад 50 °C зменшує потужність змінної акумуляторної батареї. Уникати тривалого нагрівання сонячними променями або системою обігріву.

З'єднувальні контакти зарядного пристрою та знімної акумуляторної батареї повинні бути чистими.

Для забезпечення оптимального строку експлуатації акумуляторні батареї після використання необхідно повністю зарядити.

Для забезпечення максимального можливого терміну експлуатації акумуляторні батареї після зарядки необхідно виймати з зарядного пристрою.

При зберіганні акумуляторної батареї понад 30 днів: Зберігати акумуляторну батарею при температурі приблизно 27 °C в сухому місці. Зберігати акумуляторну батарею в стані зарядки приблизно 30-50 %. Кожні 6 місяців знову заряджати акумуляторну батарею.

ТРАНСПОРТУВАННЯ ЛІТІЙ-ІОННИХ АКУМУЛЯТОРНИХ БАТАРЕЙ

Літій-іонні акумуляторні батареї підпадають під заборону перевезення небезпечних вантажів.

Транспортування таких акумуляторних батарей повинно відбуватися із дотриманням місцевих, національних та міжнародних приписів та положень.

споживачі можуть без проблем транспортувати ці акумуляторні батареї по вулиці.

Комерційне транспортування літій-іонних акумуляторних батарей експедиторськими компаніями підпадає під положення про транспортування небезпечних вантажів. Підготовку до відправлення та транспортування можуть здійснювати виключно особи, які пройшли відповідне навчання. Весь процес повинні контролювати кваліфіковані фахівці.

При транспортуванні акумуляторних батарей необхідно дотримуватись зазначених далі пунктів:

Переконайтеся в тому, що контакти захищені та ізольовані, щоб запобігти короткому замиканню. Слідкуйте за тим, щоб акумуляторна батарея не переміщувалася всередині упаковки. Пошкоджені акумуляторні батареї, або акумуляторні батареї, що потекли, не можна транспортувати. Для отримання подальших вказівок звертайтеся до своєї експедиторської компанії.

ЗАХИСТ АКУМУЛЯТОРНОЇ БАТАРЕЇ ВІД ПЕРЕВАНТАЖЕННЯ

У випадку перевантаження акумуляторної батареї внаслідок дуже високого споживання струму, наприклад, надмірно високого крутильного моменту, раптової зупинки або короткого замикання, електроінструмент відриває 5 секунд, індикатор заряду блимає, електроінструмент самостійно вимикається.

Для повторного увімкнення відпустити кнопку вимикача і знов увімкнути.

При надмірних навантаженнях акумуляторна батарея сильно перегрівається. В цьому випадку всі лампочки індикатора заряду блимають, доки акумуляторна батарея не охолоне. Можна продовжити роботу після того, як індикатор заряду згасне.

Вставити акумуляторну батарею в зарядний пристрій, щоб знову зарядити та активувати її.

ДОДАТКОВІ ПОРАДИ ЩОДО ЕКСПЛУАТАЦІЇ

Під час експлуатації користуйтеся малюнками.

Вводьте спіраль в трубу поступово, рухаючи вперед-назад, поки засмічення не буде ліквідоване.

ВКАЗІВКА: при блокуванні інструменту негайно відпустіть вимикач.

Для розблокування пристрою:

1. За допомогою перемикача переднього ходу/вимкнення/зворотного ходу встановіть інструмент у положення зворотного ходу та поверніть обруч подачі в нульове положення.
2. Потягніть інструмент на декілька сантиметрів із зворотним обертанням спіралі, щоб звільнити її.
3. Зупиніть інструмент.
4. Після повної зупинки інструмента встановіть переднього ходу/вимкнення/зворотного ходу в положення переднього ходу.

ОБЕРЕЖНО! Постійна експлуатація інструменту в режимі зворотного обертання може привести до пошкодження спіралі і приладдя.

Якщо вам важко вставити трос через сифон або інший фітинг, ви можете використати такі способи або комбінацію таких способів.

1. Ви можете спробувати протягнути трос через сифон, різко потягнувши трос униз під час обертання троса або в стані спокою.
2. Відпустивши рукоятку важеля, обертайте трос вручну, щоб змінити орієнтацію різака, що може допомогти йому легше пройти через фітинг.
3. Запустіть очищувач дренажних труб у **ЗВОРОТНОМУ** напрямку на декілька секунд, одночасно натискаючи на трос. Не робіть це довше, ніж необхідно для того, щоб трос пройшов через сифон. Запуск у зворотному напрямку може пошкодити трос.

Якщо ці способи не дадуть бажаного ефекту, спробуйте використати трос меншого діаметру або гнучкіший трос.

МОНТАЖ СПІРАЛІ

Користуйтеся малюнками під час монтажу спіралі.

ПОПЕРЕДЖЕННЯ! Спіраль знаходиться під натягом і під час монтажу може несподівано вискочити, що небезпечно травмами. Надягайте захисні окуляри або окуляри з бічним захистом, щоб мінімізувати ризик травми.

Завжди носіть шкіряні рукавички.

Прочитайте інструкцію з експлуатації. Використовуйте належні засоби захисту.

При використанні пристрою для чищення труб на вас можуть потрапити хімікати, бактерії або інші рідкі, токсичні або інфекційні речовини.

Після використання вимити руки теплою водою з милом.

ОБСЛУГОВУВАННЯ

Перед будь-якими роботами на приладі вийняти змінну акумуляторну батарею.

Вийняту спіраль протерти ганчіркою та знову вставити в барабан.

Перед зберіганням пристрою для чищення труб повністю витягнути спіраль. Почистити спіраль та згорнути її нещільно.

Використовувати тільки комплектуючі та запчастини Milwaukee. Деталі, заміна яких не описується, замінювати тільки в відділі обслуговування клієнтів Milwaukee (зверніть увагу на брошуру „Гарантія / адреси сервісних центрів“).

У разі необхідності можна запросити креслення з зображенням вузлів машини в перспективному вигляді, для цього потрібно звернутися в ваш відділ обслуговування клієнтів або безпосередньо в Techtronic Industries GmbH, Max-Eyth-SträÙe 10, 71364 Winnenden, Німеччина, та вказати тип машини та шестизначний номер на фірмовій табличці з даними машини.

СЕРТИФІКАТ ВІДПОВІДНОСТІ ВИМОГАМ ЄС

Ми заявляємо на власну відповідальність, що виріб, описаний в „Технічних даних“, відповідає всім застосовним положенням директиви:

2011/65/EU (RoHS)

2006/42/EC

2014/30/EU

2014/53/EU

та наступним гармонізованим нормативним документам:

EN 62841-1:2015

EN 62841-3-14:2017

EN 55014-1:2017+A11:2020

EN 55014-2:2015

EN 62479:2010

EN 300 328 V2.2.2

EN 301 489-1 V2.2.3

EN 301 489-17 V3.1.1

EN IEC 63000:2018



Winnenden. 2020-11-17

Alexander Krug / Managing Director

Уповноважений із складання технічної документації.

Techtronic Industries GmbH

Max-Eyth-Straße 10, 71364 Winnenden, Germany

СИМВОЛИ



УВАГА! ПОПЕРЕДЖЕННЯ! НЕБЕЗПЕЧНО!



Уважно прочитайте інструкцію з експлуатації перед введенням приладу в дію.



Під час роботи з машиною завжди носити захисні окуляри.



Завжди носіть захисні рукавички, найкраще шкіряні!



Перед будь-якими роботами на приладі вийняти змінну акумуляторну батарею.



Комплектуючі – не входять в обсяг постачання, рекомендовані доповнення з програми комплектуючих.



Не надавайте троси впливу надмірного навантаження.

Надмірне навантаження на трос може спричинити скручування, згинання або розрив троса й призвести до серйозних травм.



Автоматичну подачу/втягування увімкнено



Автоматичну подачу/втягування вимкнено



обертання за годинниковою стрілкою (вперед)



обертання проти годинникової стрілки (у зворотному напрямі)



Електроприлади, батареї/акумулятори заборонено утилізувати разом з побутовим сміттям. Електричні прилади і акумулятори слід збирати окремо і здавати в спеціалізовану компанію для утилізації відповідно до норм охорони довкілля. Зверніться до місцевих органів або до вашого дилера, щоб отримати адреси пунктів вторинної переробки та пунктів прийому.



Пристрій використовує кнопковий/плаский круглий літєвий акумулятор.

n_0

Кількість обертів холостого ходу

V

Напруга



Постійний струм



Європейський знак відповідності



Британський знак відповідності



Український знак відповідності



Євроазіатський знак відповідності

الرموز

تشغيل الكابل في الاتجاه العكسي يمكن أن يلحق الضرر بالكابل.

إذا لم تُجدي هذه الخيارات نفعاً، فيمكثك استخدام كابل بقطر أصغر أو بمرونة أكبر.

⚠ تنبيه! تحذيراً خطراً



👉 يرجى قراءة التعليمات بعناية قبل بدء تشغيل الجهاز.



👓 ارتد دائماً نظارات الوقاية عند استخدام الجهاز.



🧤 قم بزع الحارون تماماً قبل حفظ جهاز تنظيف الماسير. نظف الحارون وقم بلفه بشكل غير محكم



⚠ انزع البطارية قبل التعامل مع الجهاز.



🔧 الملحق - ليس مدرجاً كمعدة قياسية، متوفر كملحق.



🔧 لا تقم بزيادة التحميل على الكابلات.

🔧 إذ أن زيادة التحميل على الكابلات قد تتسبب في تعرض الكابل للالتواء أو الثني أو القطع وقد تؤدي إلى إصابة جسدية.



🔧 تشغيل اختيار التغذية/السحب الأوتوماتيكي



🔧 إيقاف اختيار التغذية/السحب الأوتوماتيكي



🔄 الدوران في اتجاه عقارب الساعة (الاتجاه الأمامي)



🔄 الدوران عكس اتجاه عقارب الساعة (الاتجاه العكسي)



⚠ يحظر التخلص من الأجهزة الكهربائية والبطاريات/البطاريات القابلة للشحن في القمامة المنزلية. يجب جمع الأجهزة الكهربائية والبطاريات القابلة للشحن منفصلة وتسليمها للتخلص منها بشكل لا يضر بالبيئة لدى شركة إعادة استغلال الرجاء الاستفسار لدى الهيئات المحلية أو لدى التجار المتخصصين عن مواقع إعادة الاستغلال ومواقع الجمع.



🔋 يحتوي هذا الجهاز على بطارية من خلايا الليثيوم على شكل عملة معدنية/زرار.



⚡ أقصى سرعة دون وجود حمل n_0

V الجهد الكهربائي

⚡ التيار المستمر

CE علامة التوافق الأوروبية



UK CA علامة التوافق البريطانية



🇺🇦 علامة التوافق الأوكرانية



001 EAC علامة التوافق الأوروبية الآسيوية



تركيب الحارون

يتعين مراعاة الصور الخاصة بتركيب الحارون.

تحذير! الحارون يوجد تحت ضغط وقد يدور فجأة بشكل سريع عند التركيب، الأمر الذي يمكن أن يؤدي إلى الإصابة. قم بارتداء نظارة واقية أو نظارة مزودة بواقى جانبي، لكي تحدد بقدر الإمكان من مخاطر الإصابة.

ارتدي دائماً قفازات من الجلد.

اقرأ دليل الاستخدام. استخدم أدوات وقاية مناسبة.

في حالة استخدام منظف الماسير قد تُلامس الكيماويات أو الكنتريا أو أي مركبات كأيونية أو سامة أو معدية.

بعد الاستخدام قم بتنظيف الأيدي بالماء الدافئ والصابون.

الصيانة

انزع البطارية قبل التعامل مع الجهاز.

قم بمسح الحارون الموضوع بشكل غير محكم بخزفة ثم أدخله في الأسطوانة مرة أخرى.

استخدم فقط ملحقات ميلوكي وكذلك قطع غيار ميلوكي. إذا كانت المكونات التي يجب تغييرها غير مذكورة، يرجى الاتصال بأحد عملاء صيانة ميلوكي (انظر قائمة عناوين الضمان/الصيانة الخاصة بنا).

عند الحاجة يمكن طلب رمز انفجار الجهاز بعد ذكر طراز الآلة والرقم السداسي المذكور على بطاقة طاقة الآلة لدى جهة خدمة العملاء أو مباشرة لدى شركة

Techtronic Industries GmbH
Max-Eyth-Straße 10
71364 Winnenden
ألمانيا

إعلان المطابقة - الاتحاد الأوروبي

نعلن تحت مسؤوليتنا وحدنا أن المنتج المعين تحت اسم „البيانات الفنية“ يستوفي جميع الأحكام ذات الصلة ضمن التوجيهات:

2011/65/EU (RoHS), 2006/42/EG

2014/30/EU, 2014/53/EU

والمعايير المتسقة التالية

EN 62841-1:2015

EN 62841-3-14:2017

EN 55014-1:2017+A11:2020

EN 55014-2:2015

EN 62479:2010

EN 300 328 V2.2.2

EN 301 489-1 V2.2.3

EN 301 489-17 V3.1.1

EN IEC 63000:2018

Winnenden, 2020-11-17



Alexander Krug

Alexander Krug / Managing Director

معتمدة للمطابقة مع الملف الفني

Techtronic Industries GmbH
Max-Eyth-Straße 10, 71364 Winnenden,
Germany

للحصول على أطول عمر ممكن للبطارية، انزع البطارية من الشاحن بمجرد شحنها تماما.

لتخزين البطارية أكثر من 30 يوم: خزن البطارية بحيث تكون درجة الحرارة أقل من 27° سليزيوس وبعيدا عن أي رطوبة خزن البطارية مشحونة بنسبة تتراوح بين % 50-30 اشحن البطارية كالمعتاد، وذلك كل ستة أشهر من التخزين.

نقل بطاريات الليثيوم

تخضع بطاريات الليثيوم أيون لشروط قوانين نقل السلع الخطرة.

ويجب نقل هذه البطاريات وفقاً للأحكام والقوانين المحلية والوطنية والدولية.

يمكن للمستخدم نقل البطاريات برأ دون الخضوع لشروط أخرى.

يخضع النقل التجاري لبطاريات الليثيوم أيون عن طريق الغير إلى قوانين نقل السلع الخطرة. يتعين أن يقوم أفراد مدربون جيداً بالإعداد لعملية النقل والقيام بها بصحبة خبراء مثلهم.

متى تُنقل البطاريات:

عند التأكد من حماية أطراف توصيل البطارية وعزلها تجنباً لحدوث قصر بالدائرة. عند التأكد من حماية حزمة البطارية من الحركة داخل صندوق التعبئة. يُرجى عدم نقل البطاريات التي بها تشققات أو تسريبات. يُرجى البحث مع شركة الشحن عن نصيحة أخرى

حماية البطارية

في حالات العزم العالي، أو إعاقة الحركة أو التوقف المفاجئ أو القصور في الدائرة الكهربائية الذي ينتج عنه سحب لعدد كبير من التيار الكهربائي، ستصدر الأداة نبذبات لمدة 5 ثوان، وسيضيء مقياس الوقود ثم تتوقف عن العمل. لإعادة الضغط، حرر الزناد.

في الظروف القصوى للعمل، قد ترتفع درجة الحرارة الداخلية للبطارية ارتفاعاً شديداً. إذا حدث ذلك، سيضيء مقياس الوقود حتى تنخفض درجة حرارة البطارية. بعد انطفاء الأضواء، يمكنك متابعة العمل.

ضع البطارية على الشاحن للشحن ثم أعد ضبطها.

نصائح إضافية للاستخدام

الرجاء مراعاة الصور للاستعمال العادي.

أدخل الحلزون في الماسورة من خلال حركة خفيفة للأمام وللخلف حتى يتم إزالة الإندساد.

إرشاد: إذا حدثت عرقلة في الأداة، أترك الزر على الفور.

إزالة عرقلة منظف المواشير:

1. أدر مفتاح "الاتجاه الأمامي/الإيقاف/الاتجاه العكسي" إلى وضع الاتجاه العكسي وقم بتدوير رقبعة التغذية إلى وضع الدوران 0.

2. اسحب الأداة في وضع الدوران العكسي بعض السنتيمترات إلى الخلف، لكي تحرر الحلزون.

3. أوقف الأداة.

4. بعد التوقف التام للأداة، قم بارجاع مفتاح "الاتجاه الأمامي/الإيقاف/الاتجاه العكسي" إلى وضع الاتجاه الأمامي.

تحذيراً! تشغيل المستمر للأداة في الدوران إلى الخلف يمكن أن يؤدي إلى الإضرار بالحلزون والمستلزمات.

إذا كان من الصعب إنفاذ الكابل عبر منفذ صرف أو قطعة تركيبية أخرى، فيمكن استخدام الطرق التالية أو مجموعة الطرق التالية.

1. دفعات الإنزال القوية، سواء مع أو بدون تدوير الكابل، يمكن أن تساعد في إنفاذ الكابل عبر منفذ الصرف.

2. بينما ذراع الرفع محرر، فإن تدوير الكابل باليد يمكن أن يغير اتجاه القاطعة بما يسمح لها بالنفاد بمزيد من السهولة عبر القطعة التركيبية.

3. قم بتشغيل منظف المصرف في اتجاه الدوران العكسي REV مع الضغط لأسفل على الكابل. قم بتنفيذ ذلك فقط لما يكفي لبدء إنفاذ الكابل عبر منفذ الصرف. حيث إن

حالة ملامسة حامض البطارية اغسل يديك فوراً بالماء والصابون. في حالة ملامسة السائل للعينين اشطفهما جيداً لمدة 10 دقائق على الأقل واطلب العناية الطبية فوراً. تحذيراً لتجنب أخطار الحريق أو الإصابة أو الإضرار بالمنتج التي تنجم عن تماس الكهربائي، لا تغمر الأداة أو البطارية القابلة للاستبدال أو جهاز الشحن في السوائل وأحرص على أن لا تصل السوائل إلى داخل الجهاز والبطارية. السوائل المؤدية للتآكل أو الموصلة للتيار الكهربائي، مثل الماء المالح ومركبات كيميائية معينة ومواد التبييض أو المنظفات التي تشتمل على مواد تبيض، يمكن أن تؤدي إلى حدوث ماس كهربائي.

استخدم فقط شواحن System M18 لشحن بطاريات System M18. لا تستخدم بطاريات من أنظمة أخرى. لا تلم أبداً بفتح قفل البطارية والشواحن ولا تخزينهم إلا في غرف جافة. وحافظ عليها جاف طوال الوقت.

تحذير

يحتوي هذا الجهاز على بطارية من خلايا الليثيوم على شكل عملة معدنية/أزرار. قد تسبب البطارية الجديدة أو المستخدمة في حرائق داخلية عديدة وتؤدي إلى الوفاة في أقل من ساعتين في حالة بلعها أو دخولها الجسم. احرص على تثبيت الغطاء بمقصورة البطارية دوماً. وفي حالة عدم إغلاقه بإحكام، أوقف الجهاز، وأزل البطارية واحتفظ بها بعيداً عن متناول الأطفال. إذا كنت تعتقد أن شخصاً ما قد بلع البطارية أو أنها دخلت إلى الجسم، فاطلب العناية الطبية القوية.

شروط الاستخدام المحددة

ماكينة الصرف المقطعية هي ماكينة تنظيف للمصارف تُستخدم لتنظيف خطوط الصرف الثانوية، مثل تلك الموجودة في المطابخ والحمامات وغرف الخدمات.

ONE-KEY™

لمعرفة المزيد حول عمل خاصية "المفتاح الواحد" المزودة بها هذه الماكينة، اقرأ الدليل المختصر المرفق أو تفضل بزيارة موقع الإنترنت <http://www.milwaukeeool.com/one-key>

يمكنك تحميل تطبيق "المفتاح الواحد" عن طريق App Store على هاتفك الذكي. نتائج الفحص تلي أقل متطلباتنا تبعاً للمعايير EN 301 489-1 / EN 301 489-1. وسنقدم إرشادات التشغيل للعميل في دليل المستخدم.

ONE-KEY™ شؤم	
تبات قرزاً	زهاج و لاعف يكلس الالاطمن لال قيبطت قيرط ن عئيهي مثل ق ONE-KEY™.
ضامو قرزاً	عم ل اعف لكش ب هل ص تم ءا دال ق ONE-KEY™ قيبطت
ضامو مرجأ	ل فقل ال نيمات ع رضو ف ءا دال ل بق ن م اءا ف ق ريرحت ن كم يو قيبطت قيرط ن ع لكال مال ق ONE-KEY™.

البطاريات

يجب إعادة شحن البطارية غير المستخدمة لفترة قبل الاستخدام.

تقلل درجات الحرارة التي تتجاوز 50°سليزيوس (122°فهرنهايت) من أداء البطارية. تجنب التعرض الزائد للحرارة أو أشعة الشمس (خطر التسخين)..

يجب الحفاظ على محتويات الشواحن والبطاريات نظيفة. للحصول على فترة استخدام مثالية، يجب شحن البطاريات تماماً، بعد الاستخدام.

وصف الجهاز

- ① ذراع الرفع
 - ② خطاف الحمل
 - ③ رقبة التغذية
 - ④ خطاف الكابل
 - ⑤ زر تحرير المقبض
 - ⑥ المقبض التليسيكوبي
 - ⑦ رقبة ذراع الرفع
- ⑧ مؤشر ONE-KEY™
 - ⑨ الاتجاه الأمامي/الإيقاف/الاتجاه العكسي
 - ⑩ باب حجيرة البطارية
 - ⑪ وصلة خرطوم التوجيه الخلفي
 - ⑫ باب البطارية ONE-KEY

قم بتغطية موضع العمل إذا استدعى الأمر. قد يكون تنظيف مواشير الصرّف أمراً يحيط به ثلوثات.

تأكد من أن الحلزون، ملفوف تماماً. بهذا تتجنب الضربات المشابهة للضربات السيّاط الناجمة عن للحلزون عند التشغيل.

ضع منظف المصريف على مسافة لا تزيد على 60 سم من فتحة المصريف. إذا تعذر وضع منظف المصريف في نطاق قدمن من فتحة المصريف، فسوف يلزم تمديد فتحة المصريف باستخدام ماسورة وحقن مشابه وقطع تركيبية. ة الماسورة. في حالة البعد الأكبر لا يمكن التحكم في الحلزون بشكل جيد وقد يحدث به التواء أو الانحناء أو انكسار.

الحلزون وزر التشغيل والإيقاف يجب استعمالهم من شخص واحد فقط. إذا توقفت الآداة عن الدوران، فيجب أن يكون بمقدور المستخدم إيقاف الآداة لمنع تعرض الكابل للالتواء أو التشنج أو القطع أو الارتداد السوي.

باستثناء المواقف المذكورة في دليل الاستخدام هذا يحظر إذ يمكن أن يتسبب تشغيل الآداة في الاتجاه العكسي لفترات طويلة في حدوث تلفيات بالكابل والملحقات.

استخدم حكمة السليم على الأمور دائماً وتوخ الحذر عند استخدام الأدوات. لا يمكن التنبؤ بكل موقف قد يؤدي إلى نتيجة خطيرة. لا تستخدم هذه الآداة إذا لم تفهم إرشادات التشغيل تلك أو كنت تشعر أن العمل أكبر من قدراتك، تواصل مع Milwaukee Tool أو مع محترف مدرب للحصول على المزيد من المعلومات أو التدريب.

يحظر نزع لافتة الطراز والبطاقة الملصقة. هذه البطاقات تتضمن معلومات هامة. إذا أصبحت هذه البطاقات غير مقروءة أو غير متوافرة يرجى التوجه إلى خدمة العملاء بشركة MILWAUKEE للحصول على بديل مجاني.

تحذير! يحتوي بعض الغبار الذي يصنعه الترميل الآلي، والنشر، والتجليخ، والحفر، وأعمال الإنشاء الأخرى على مواد كيميائية من المعروف أنها تسبب السرطان، أو تشوهات الولادة، أو الأضرار الانجابية الأخرى. من الأمثلة على تلك المواد الكيميائية:

- الرصاص الناتج عن الطلاء المصنوع من الرصاص
- السيليكا البلورية الناتجة عن القرميد والأسمنت ومنتجات البناء الأخرى،

- الزرنيخ والكروم الناتجين عن الخشب المعالج كيميائياً.

ويتراوح نطاق الخطر الذي تتعرض له جراء التعرض لتلك المواد، وفقاً لمدى تكرارية قيامك بهذا النوع من العمل. لتقليل التعرض لذلك المواد الكيميائية: اعمل في منطقة تهوية جيدة، وامل بمعدات سلامة معتمدة، مثل أقنعة الغبار المصممة خصيصاً لفترات الزخينات المجهرية.

استخدم معدة الوقاية. ارتد دائماً نظارة الوقاية عند العمل بالآلة. ينصح باستخدام الملابس الواقية مثل الكمامات الواقية من الغبار، والقفازات، والأحذية القوية غير المنزلقة، والخوذات، وواقبات الأذن.

قد تكون الأتربة الناتجة عن استخدام هذه الآلة ضارة بالصحة. لا تستنشق هذه الأتربة. ارتد قناعاً واقياً من الأتربة مناسباً. لا يجوز استخدام مواد ينجم عنها أضرار على الصحة (حزير صخري).

الرجاء إيقاف تشغيل الجهاز على الفور في حالة عرقلة أداة الاستعمال! لا تقم بتشغيل الجهاز مرة أخرى، طالما أن الأداة المستعملة زالت في حالة عرقلة، حيث يمكن أن يحدث هنا ارتداد عكسي مصحوب بقوة رد فعل عالية. قم بإيقاف وإزالة أسباب عرقلة أداة الاستعمال مع مراعاة تعليمات الأمان.

انزع البطارية قبل التعامل مع الجهاز. لا تتخلص من البطاريات المستعملة مع النفايات المنزلية أو بحرقها. يقدم موزع ميلوكي خدمة استعادة البطاريات القديمة لحماية البيئة.

لا تقم بتخزين البطارية مع الأشياء المعدنية (خطر قصر الدائرة)...

قد يتسرب حامض البطارية من البطاريات التالفة في ظروف الحمل الزائد بدرجة كبيرة أو في درجات الحرارة الشديدة. في

⚠️ تعليمات الأمان الخاصة بمنظف المواشير

أحرص دائماً على استخدام خرطوم التوجيه الخلفي أثناء تشغيل الآداة، وتأكد أن الكابل لا يمتد إلى ما بعد خرطوم التوجيه الخلفي. حيث يمنع ذلك تعرض الكابل للارتداد السوي وهو ما قد يؤدي إلى حدوث تشابك وإصابات جسدية.

يستخدم منظف المواشير في المواشير المذكور أحج الإصابة. مهما فقط. إن استخدام منظف المواشير بحجم خطأ يمكن أن يؤدي إلى التواء أو انحناء أو إنكسار الحلزون وإلى أمسك الحلزون الدائن بالقفازات المنصوح به من الشركة المنتجة فقط. الق في إصابات حادة. فازات اللاتكس أو القفازات الغير المنصوح أو الفوط يمكن أن تلتف حول الحلزون وتتسبب

تأكد من أن ذروة الحلزون غير متشابكة طالما أن الحلزون يؤدي إلى إصابات حادة. يدور. عدا ذلك قد يتم تحميل الحلزون بجهد أعلى من المقرر ويدور بشكل أسرع من المقرر أو ينحني أو يكسر، الأمر الذي يمكن أن

إذا كان من المحتمل أن ماسورة الصرّف التي يجب تنظيفها تحتوي على مواد كيميائية أو وكتيا أو أي مركبات سمية أخرى أو جراثيم مسببة للعدوى، فبتعين عليك استخدام قفازات الوقاية المنصوح بها من الشركة المنتجة من اللاتكس أو الكوتشوك وكذلك نظارة واقية وواق للوهد وملابس واقية وقناع واق للتنفيس. ق إصابات أخرى حادة. تحتوي خطوط المواشير على كيميائيات أو بكتريا أو مركبات أخرى تكون سمية أو مسببة للعدوى وقد تؤدي إلى حروق كيميائية أو

الرجاء مراعاة تعليمات النظافة. يحظر تناول الطعام والتدخين أثناء استخدام الجهاز. بعد التعامل مع أجهزة تنظيف المواشير أو استخدامها يجب غسل اليدين وأي أعضاء أخرى في الجسم حدث لها تلامس مع محتوي المواشير بالماء أو المسببة للعدوى. لساخن والصابون. بهذا تتجنب المخاطر الصحية التي تنجم عن ملامسة المواد السامة

إرشادات أمان وعمل إضافية

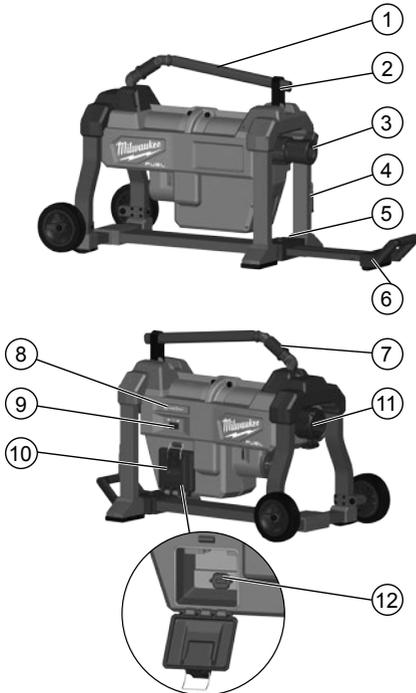
أحرص على مسك الكابل بيدك المحمية بقفازات أثناء تشغيل الآداة. حيث يتيح ذلك تحكماً أفضل في الكابل ويساعد في منع حدوث التواء أو ثني أو قطع للكابل وهو ما قد يؤدي إلى إصابات جسدية خطيرة.

قم بفحص الحلزون قبل الاستعمال عما إذا كان به آثار تهاك أو أضرار. قم با. استبدال الحلزون التهاك أو الذي به ضرر قبل استخدام منظف المواشير.

لا تقم بإجراء التواء أو انحناء بشكل أكثر من اللازم للحلزون. إن إنكسار الحلزون يمكن أن يؤدي إلى إصابات حادة. قم بمعاينة الماسورة التي يجب تنظيفها في بل استخدام الجهاز. قم بتحديد نقاط الدخول بقدر الإمكان، والقطر وطول الماسورة وكذلك البعد عن الماسورة الرئيسية، ونوع الإنسداد ووسائل تنظيف المواشير المتوافرة أو الكيمائيات الأخرى. إذا كان هناك كيميائيات في مواشير الصرّف، يجب اتخاذ الإجراءات الأمنية اللازمة. توجه إلى الشركة المنتجة للكيميائيات للحصول على المعلومات اللازمة.

لا تقم بتشغيل هذه الآداة في حالة تواجد المستخدم أو الآداة في الماء. حيث أن تشغيل الآداة أثناء التواجد في الماء يزيد من خطر الصدمة الكهربائية.

M18 FSSM	البيانات الفنية ماكينة الصرف المقطعية
4749 26 02... ... 000001-999999	إنتاج عدد
18 V ==	فولطية البطارية
0 - 700 min ⁻¹	أقصى سرعة دون وجود حمل n ₀
2402-2480 MHz	نطاق تردد البلوتوث (نطاقات التردد)
1,8 dBm	قدرة التردد الراديوي
4,0 BT signal mode	إصدار - البلوتوث
31 cm/s	سرعة التغذية/ السحب الحد الأقصى
∅ 22 mm (7/8") & ∅ 32 mm (1 1/4")	حجم كابل مُنظف المصريف
4,5 m	طول الكابيل المقطعي لمُنظف المصريف
60 m	الطول الأقصى لكابيل مُنظف المصريف
∅ 50 - 200 mm	قطر الماسورة الموصى به
3500 mm	طول الأنبوب الدليلي/خرطوم التوجيه
∅ 50 mm	حجم الأنبوب الدليلي/خرطوم التوجيه
33,32 kg	الوزن وفقاً لنهج EPTA رقم 01/2014 (مع بطارية أيونات الليثيوم 12,0 Ah)
31,75 kg	الوزن بدون البطارية، كابل المصريف وخرطوم التوجيه.
37,55 kg	الوزن بدون البطارية ولكن مع خرطوم التوجيه
-18°C ... +50°C	درجة حرارة البيئة المحيطة المُنصوح بها من أجل التشغيل
M18HB...; M18B...	البطاريات المُنصوح بها
M12-18...; M1418C6	جهاز الشحن المُنصوح به
معلومات الضوضاء	
القيم التي تم قياسها محددة وفقاً للمعايير الأوروبية EN 62841 مستويات ضوضاء الجهاز، ترجيحاً بشكل نموذجي كالتالي:	
69,21 dB (A)	مستوى ضغط الصوت (الارتياح في القياس = 3 ديسيبل (أ))
80,21 dB (A)	مستوى شدة الصوت (الارتياح في القياس = 3 ديسيبل (أ))
	ارتد وأقيات الأذن!



تحذير
إن قيمة الضجيج المنبعث المذكورة في هذا المنشور تطابق المعايير التي تم قياسها في عملية اختبار أجريت تبعاً للمعايير الأوروبية EN62841 ويمكن استخدامها لمقارنة أدوات العمل مع بعضها البعض. وهي مناسبة أيضاً للتقدير المؤقت لمدى التحمل.

القيمة المذكورة للضجيج المنبعث تعبر عن الضجيج الناجم من الاستخدامات الرئيسية للأداة. ولكن على أي حال إذا استخدمت الأداة في استخدامات أخرى أو مع مستلزمات مخالفة أو إذا لم يتم صيانتها بشكل كافي فقد تختلف قيمة الضجيج المنبعث. هذا يمكن أن يؤدي إلى ارتفاع مدى التحمل بشكل واضح في سائر وقت العمل.
للتقدير الدقيق لمعدل تحمل الضجيج ينبغي أيضاً مراعاة الأوقات التي يتم فيها إيقاف عمل الأداة أو التي تعمل فيها الأداة ولكن لا يتم استخدامها بالفعل. هذا يمكن أن يؤدي إلى انخفاض مدى التحمل بشكل واضح في سائر وقت العمل.
حدد إجراءات وقاية إضافية لحماية المستخدم من تأثير الضوضاء مثل: صيانة الأداة والمستلزمات وتنظيم مسارات العمل.

ارتد وأقيات الأذن. ارتد قد يسبب التعرض للضوضاء إلى فقدان السمع.

تحذير! اقرأ جميع تعليمات السلامة والإرشادات والنشرو والبيانات المرفقة مع الجهاز. قد يؤدي عدم مراعاة التعليمات المدرجة أدناه إلى التعرض للإصابة بصدمة كهربية أو الحريق و/أو إصابة خطيرة. **احتفظ بجميع التنبيهات والتعليمات للرغوع إليها مستقبلاً.**

Copyright 2021
Techtronic Industries GmbH
Max-Eyth-Straße 10
71364 Winnenden
Germany
+49 (0) 7195-12-0
www.milwaukeeetool.eu

Techtronic Industries (UK) Ltd
Fieldhouse Lane
Marlow Bucks SL7 1HZ
UK



**EAC UK
CA**

(01.21)

4931 4254 03