

GEDORE

TOOLS FOR LIFE

Hydraulic Zylinder 10 t



KL-0040-2200



0040-2200e140424_g.docx

GEDORE Automotive GmbH

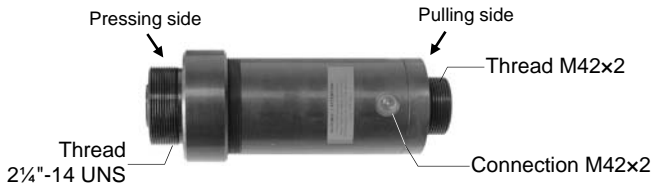
Breslauer Straße 41
78166 Donaueschingen

Postfach 1329
78154 Donaueschingen - GERMANY

Tel.: +49 (0) 771 / 8 32 23-0
Fax: +49 (0) 771 / 8 32 23-90

E-Mail: info@gedore-automotive.com
Internet: gedore-automotive.com

KL-0040-2200



Note: A hydraulic pump e.g. **KL-0215-35 M22**, **KL-0215-37 M22** will be required to drive the Hydraulic Cylinder **KL-0040-2200**.

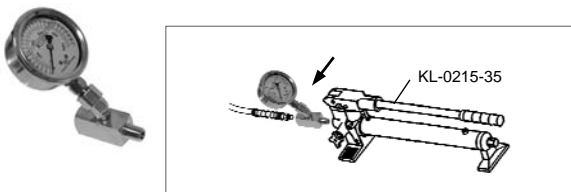
Accessories: Hydraulic Adaptors for Hydraulic Cylinder



Accessories: Hydraulic Connectors



Accessories: Pressure Gauge



Accessories: KL-0040-2290 Safety belt



KL-0040-2200 Hydraulic Cylinder 10 t

Application

Due to its special design, the Hydraulic Cylinder **KL-0040-2200** may be used to perform pulling or pressing functions according to the type of Spindle chosen as an accessory.

Warnings and Notes

- Work on vehicles should only be performed by qualified personnel observing the vehicle-manufacturer's safety instructions and provisions.
- The vehicle manufacturer's data apply to all works done on the vehicle.
- Before putting the tool into operation check visually that it is not damaged in anyway.

Attention

- Secure the tool by means of the safety tether **KL-0040-2290** to prevent it falling down.
- Keep all parts of your body away from the line along which the hydraulic cylinder extends or retracts.
- Working with hydraulic tools calls for specific safety precautions to be observed.

Accessories

Adaptors

If an existing Hydraulic Pump is to be used to power Hydraulic Cylinder **KL-0040-2200**, it should be noted that Hydraulic Cylinder **KL-0040-2200** is supplied with 3/8"NPT Connector coupling. It is likely that an adaptor will be required to connect the existing Pump to Hydraulic Cylinder **KL-0040-2200** (see Table below).

Part No:	Description
KL-0040-2520	Adaptor 3/8"NPT to 1/4"NPT (eg. KLANN, Longus, Rodcraft)
KL-0040-2521	Adaptor 3/8" NPT to M16x1.5 (eg. Matra)
KL-0040-2522	Adaptor 3/8" NPT to M18x1.5 (eg. Weber)
KL-0040-2523	Adaptor 3/8" NPT to G1/4" (eg. Nike)

Note: Hydraulic Cylinders from Blackhawk, Car Bench, Celette, Enerpac, OTC and Yale have 3/8"NPT-couplings

Couplings (for KL-0215-35 or -37)

Part No:	Description
KL-0215-321	Coupling Hose side 1/4" NPT
KL-0215-322	Coupling Cylinder side 1/4" NPT

KL-0040-2229 Pressure Gauge

The Pressure Gauge can be connected between the Hydraulic Pump and the Hose so that the hydraulic pressure can be controlled during operation.

The pressure gauge is fitted with an additional tonne scale, which was made to suit our Hydraulic Cylinder **KL-0040-2200**.
(e.g. for KL-0215-35)

Measuring Range	1000 bar
Manometer Ø mm	71 mm
Connection thread	1/4" NPT

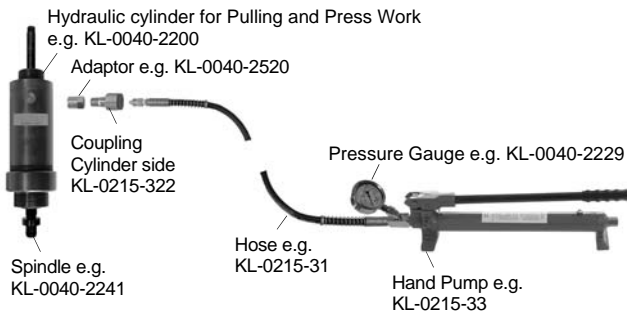
KL-0040-2228 Pressure Gauge

As **KL-0040-2229** but with connection thread 3/8"NPT
(e.g. for KL-0215-37)

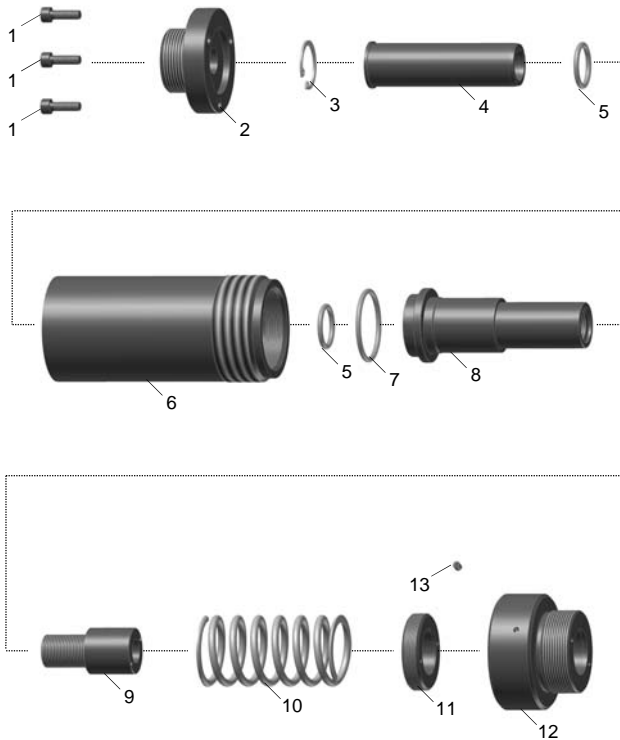
KL-0040-2290 Safety belt

By using the safety belt **KL-0040-2290** on the vehicle and on the Hydraulic Cylinder **KL-0040-2200**, the latter is prevented from falling off.

Hydraulic drive:



Spare Parts: KL-0040-2200 Hydraulic Cylinder



Accessories: KL-0215-35 M22 Hydraulic Hand Pump



Note: For further Hydraulic Pumps, e.g. KL-0215-37 M25 (Hydraulic Foot Pump) see KLANN main catalogue.

Technical Data:

KL-0040-2200 Hydraulic Cylinder

Maximum force:	105,8 kN (10 t)
Maximum stroke:	45 mm
Maximum Volume of Oil:	75,91 cm ³
Piston Area:	15,11 cm ²
Piston Thread:	M16/Ø 16,5
Retaining Thread Pressure Side:	2 ¼"-14 UNS
Retaining Thread Puller Side:	M42x2
Cylinder Outer Diameter:	69 mm
Overall Length Retracted:	217,5 mm
Overall Length Extended:	262,5 mm
Hydraulic Fluid Connection:	3/8"NPT
Weight:	4,65 kg
Hydraulic Oil	HLP 46 or HLPD 46

Spare Parts:

KL-0040-2200 Hydraulic Cylinder

Pos.	Part No.	Description	Qty.
	KL-0040-2200	Hydraulic Cylinder 10 t	1
<i>consists of:</i>			
1	KL-0040-2211	Screw M6 x 20	3
2	KL-0040-2205	Adaptor	1
3	KL-0040-2209	Circlip I26	1
4	KL-0040-2203	Inner tube	1
5	KL-0040-2207	Sealing Ø24	2
6	KL-0040-2201	Housing	1
7	KL-0040-2208	Sealing Ø42	1
8	KL-0040-2202	Piston	1
9	KL-0040-2212	Screw case M16 long	1
10	KL-0040-2206	Pressure Spring	1
11	KL-0040-2210	Ring nut	1
12	KL-0040-2204	Thread Ring 2 3/4"-16 UN / 2 ¼"-14 UNS	1
13	KL-0040-2214	Threaded pin	1

Accessories:

KL-0215-35 M22 Hydraulic Hand Pump

The Hydraulic Hand Pump **KL-0215-35 M22** may be used in conjunction with Hydraulic Cylinder (17 t) **KL-0040-2200** to operate a variety of KLANN Pulling and Pressing tools.

Note:

Hydraulic pressure and the necessary force can be checked while operating the pump at pressure gauge **KL-0040-2229**, (supplied with the tool set) and additional drum-type scale matched to our **KL-0040-2200** hydraulic cylinder (17 t).

Specification: (KL-0215-35 M22)

Part No.	Description	Qty.
KL-0215-35 M22	Hydraulic Hand Pump	1
<i>consists of:</i>		
KL-0215-33	Hydraulic Hand Pump (without Hose)	1
KL-0215-31	Hydraulic Hose 1,8 m with hose-side connector	1
KL-0215-322	Cylinder-side connector 1/4"NPT	1
KL-0040-2520	Adaptor 3/8"NPT to 1/4"NPT	1
KL-0040-2229	Pressure Gauge	1

Weight:7,5 kg
Max. Pressure: 700 bar

GEDORE

WERKZEUGE FÜRS LEBEN

GEDORE Automotive GmbH

Breslauer Strasse 41
78166 Donaueschingen

Postfach 1329
78154 Donaueschingen - GERMANY

Tel.: +49 (0) 771 / 8 32 23-0
Fax: +49 (0) 771 / 8 32 23-90

E-Mail: info@gedore-automotive.com
Internet: www.gedore.com