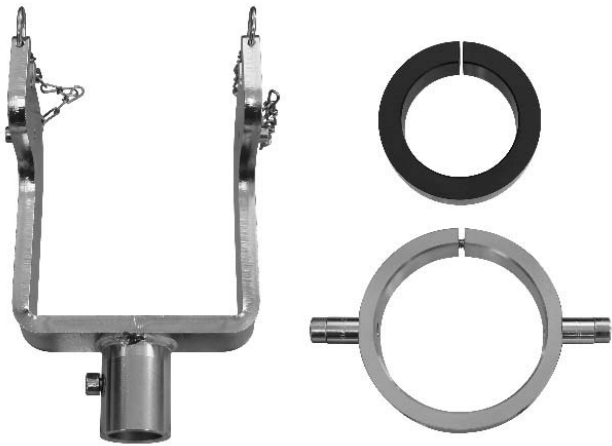


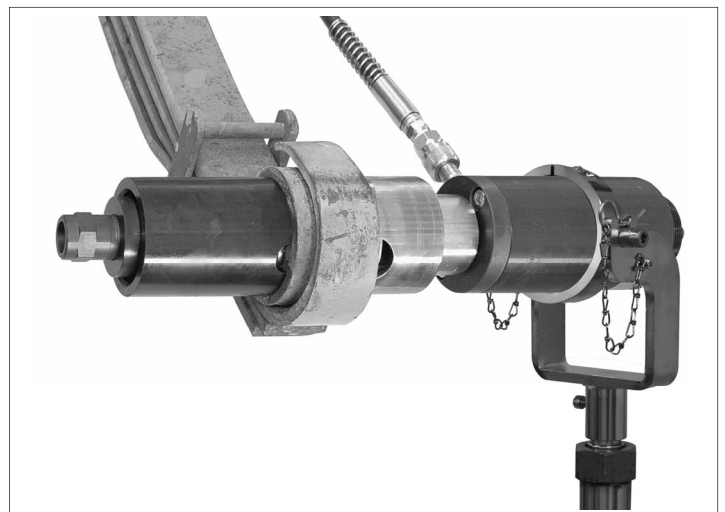
GEDORE

TOOLS FOR LIFE

Retaining Device for Hydraulic Cylinder KL-0040-2800



KL-0040-288



0040-288e140901.docx

GEDORE Automotive GmbH

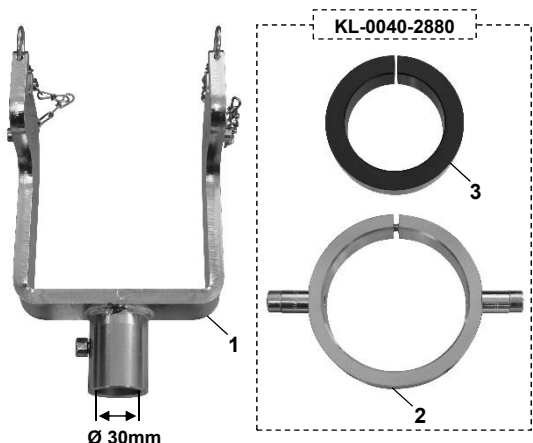
Breslauer Straße 41
78166 Donaueschingen

Postfach 1329
78154 Donaueschingen - GERMANY

Phone: +49 (0) 771 / 8 32 23-0
Fax: +49 (0) 771 / 8 32 23-90

Email: info@gedore-automotive.com
Internet: www.gedore-automotive.com

KL-0040-288



KL-0040-288 - Retaining Device for Hydraulic Cylinder KL-0040-2800

Field of Application

The **KL-0040-288** retaining device is used in conjunction with a transmission jack (plunger Ø of 30mm), thus enabling easy and trouble-free working with all those GEDORE Automotive tools that are driven by the **KL-0040-2800** hydraulic cylinder.

Technical Data

Retaining Bore Ø: 30mm

Example of Use:



Warnings and Notes

- Any work on vehicles should only be performed by qualified specialist personnel observing and complying with the directions, provisions, and safety regulations specified by the vehicle manufacturer!

Scope of Delivery

Pos.	Part No.	Description	Qty
-	KL-0040-288	Retaining Device for Hydraulic Cylinder	1
<i>composed of:</i>			
-	KL-0040-2880	Clamp/Adaptor Ring Set	1
1	KL-0040-2580 A	Retaining Device without Clamp Ring	1

Pos.	Part No.	Description	Qty
-	KL-0040-2880	Clamp/Adaptor Ring Set	1
<i>composed of:</i>			
2	KL-0040-2881	Clamp Ring for Hydraulic Cylinder KL-0040-2800	1
3	KL-0040-2882	Adaptor Ring for KL-0040-2855	1

Accessories:

KL-0040-2571 - Adaptor Sleeve, Ø 25mm



KL-0040-2588 - Adaptor Sleeve, VW, Ø 36mm



Accessories

KL-0040-2571 - Adaptor Sleeve, Ø 25mm

This adaptor is needed to use the retaining device **KL-0040-288** in conjunction with a transmission jack having a plunger with Ø of 25 mm.

KL-0040-2588 - Adaptor Sleeve, VW, Ø 36mm

This adaptor is needed to use the retaining devices **KL-0040-258 A** and **KL-0040-288**, or the **KL-0145-120** supporting with a VW transmission jack having a plunger with Ø of 36mm.