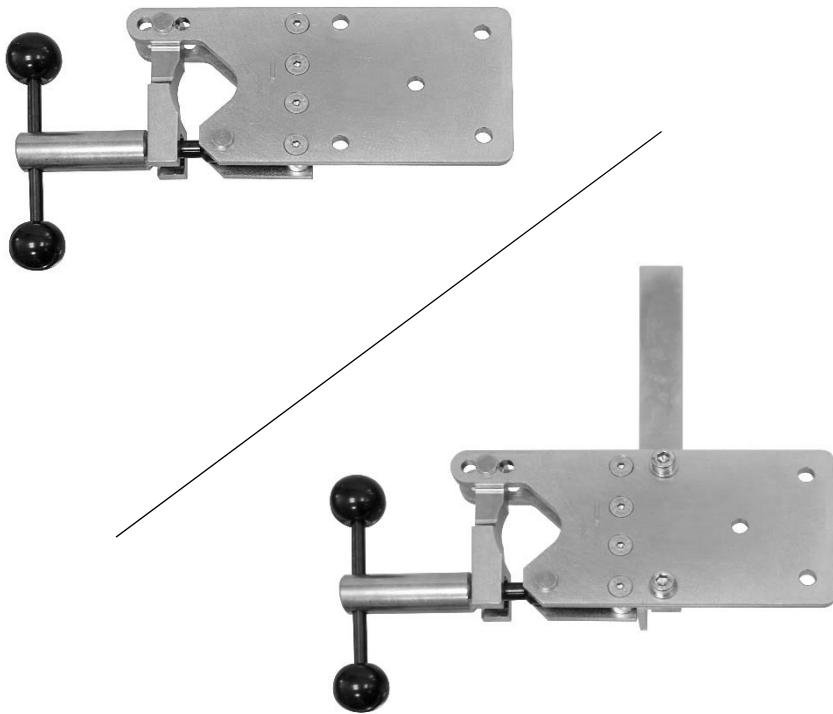


# GEDORE

TOOLS FOR LIFE

## Holding Fixture for Suspension Struts



**KL-0055-50 A**  
**KL-0055-502**  
**KL-0055-60**



0055-50Ae170520

**GEDORE Automotive GmbH**

Breslauer Straße 41  
78166 Donaueschingen

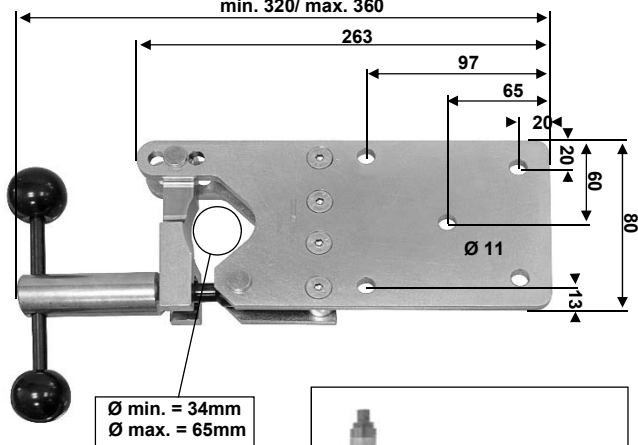
Postfach 1329  
78154 Donaueschingen - GERMANY

Phone.: +49 (0) 771 / 8 32 23-0  
Fax: +49 (0) 771 / 8 32 23-90

Email: [info@gedore-automotive.com](mailto:info@gedore-automotive.com)  
Internet: [www.gedore-automotive.com](http://www.gedore-automotive.com)

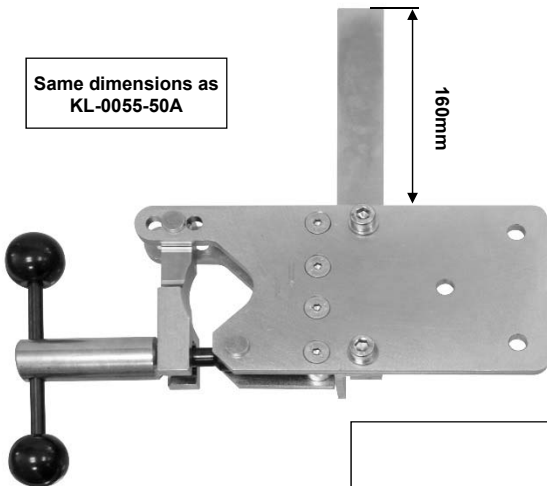
### KL-0055-50 A – Specifications in mm

min. 320/ max. 360



### KL-0055-60

Same dimensions as  
KL-0055-50A



### KL-0055-50 A Holding Fixture for Suspension Struts (without clamping bar)

(German Utility Model)

Suitable for MacPherson suspension struts, shock absorbers and steering gears.

#### Field of Application

It is strongly ADVISED AGAINST clamping MacPherson struts, shock absorbers and steering gears directly in a vice for servicing or repair work! (Risk of deformation!)

The holding fixture allows MacPherson struts, shock absorbers and steering gears to be held safely and securely, without any risk of damage, while repairs are being carried out.

Simple mounting - the holding fixture can easily be attached to a workbench via the mounting holes provided.

#### Scope of Delivery

Part No.	Description	Qty
<b>KL-0055-50 A</b>	<b>Holding Fixture for Suspension Struts</b>	<b>1</b>
<i>composed of:</i>		
<b>KL-0055-501 A</b>	<b>Holding Fixture for Suspension Struts</b>	<b>1</b>
KL-0042-0007	Threaded Rod	1
KL-0042-0008	Ball Knob, Ø 40mm, M10	2
Part No.	Description	Qty
<b>KL-0055-501 A</b>	<b>Holding Fixture for Suspension Struts</b>	<b>1</b>
<i>composed of:</i>		
KL-0055-6001	Base Plate, long	1
KL-0055-5002	Base Plate, short	1
KL-0055-5003	Spacer Sleeve	4
KL-0055-5004	Clamping Bar	1
KL-0055-5005	Locking Pin	2
KL-0055-5006	Countersunk Screw, M8x35mm	4
KL-0055-0005	Clamping Piece	1
KL-0055-0006	Threaded Bolt	1
KL-0055-0011	Retaining Ring, Ø 8mm	1

#### Accessory for KL-0055-50 A

#### KL-0055-502 Clamping Bar for Vice

The KL-0055-502 clamping bar allows the holding fixture KL-0055-50 A to be clamped in any standard vice.

Part No.	Description	Qty
<b>KL-0055-502</b>	<b>Clamping Bar for Vice</b>	<b>1</b>
<i>composed of:</i>		
KL-0055-6008	Steel Angle	1
KL-0055-6009	Spacer Bar	1
KL-0153-2004	Plain Washer, Ø 10mm	4
KL-1283-1118	Cheese Head Screw, M10x30mm	2
KL-0049-1003	Hex Nut, M10	2

### KL-0055-60 Holding Fixture for Suspension Struts

(with Clamping Bar) (German Utility Model)

Same composition as KL-0055-50 A and additionally includes the KL-0055-502 clamping bar for vice.



#### Warnings and Notes

- Any work on vehicles should only be performed by qualified specialist personnel observing and complying with the directions, provisions, and safety regulations specified by the vehicle manufacturer!
- Always refer to the vehicle manufacturer's data and instructions as only these apply to all work that is carried out on the vehicle.
- All vehicle-specific data stated herein are supplied under reserve and without commitment.