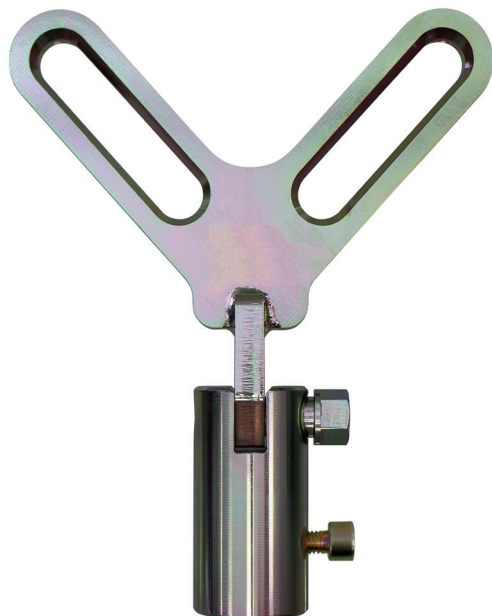
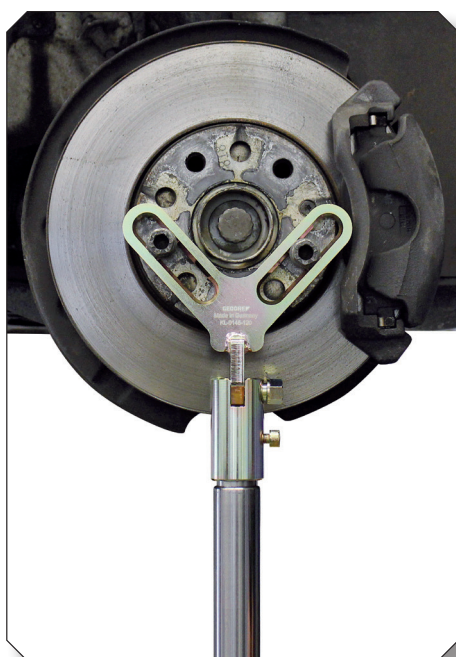




KL-0145-120 A Support Device



Operating instructions EN
⚠ Read and understand before use!



www.gedore-automotive.com



GEDORE Automotive GmbH

Breslauer Straße 41
78166 - Donaueschingen
Postfach 1329
78154 Donaueschingen - GERMANY

☎ +49 (0) 771 / 8 32 23-0
☎ +49 (0) 771 / 8 32 23-90
✉ info.gam@gedore.com
🌐 gedore-automotive.com

GEDORE TOOLS, INC.

Only for USA, Canada & Mexico / Sólo para EE.UU., Canadá y México
Seulement pour les USA, le Canada et le Mexique
7187 Bryhawke Circle, Suite 700
North Charleston, SC 29418, USA

☎ +1-843 / 225 50 15
☎ +1-843 / 225 50 20
✉ info@gedoretools.com
🌐 gedore.com

Version 12/2022

0145-120A_EN221006.indd



ENGLISH

EN

EN

Address of the manufacturer

GEDORE Automotive GmbH

Breslauer Straße 41 // 78166 Donaueschingen - GERMANY

☎ +49 (0)771/83223-71 // ✉ info.gam@gedore.com

Imprint

In the course of improvement and adaptation to the state of the art, we reserve the right to make changes with regard to appearance, dimensions, weights and properties, and performance.

This does not imply any claim to correction or subsequent delivery of already delivered products. Deletions can be made at any time without any legal claim arising.

Instructions for use and safety are not binding. They never substitute for any legal or trade association regulations.

We do not accept any liability for printing errors.

Any reproduction, in whole or in part, requires the prior written consent of **GEDORE Automotive GmbH**.

All rights reserved worldwide.

© Copyright by **GEDORE Automotive GmbH** Donaueschingen (GERMANY)

We refer to our general terms and conditions, which can be found in the imprint at:

www.gedore-automotive.com



CONTENTS

1. READ AND UNDERSTAND FOR YOUR SAFETY	4
1.1 Target group.....	4
1.2 Obligations of the owner.....	4
1.3 Intended use	4
1.4 Reasonably foreseeable misuse	4
1.5 Work environment	4
1.6 Personal protective equipment.....	5
1.7 Labelling of the warnings.....	5
1.8 Basic warnings	5
1.9 Basic safety instructions	6
2. PRODUCT DESCRIPTION	7
2.1 KL-0145-120 A - Support device	7
2.2 Scope of delivery / spare parts overview	7
2.3 Specifications.....	7
2.4 Accessories	7
3. PREPARATION	8
3.1 Checking the scope of delivery	8
3.2 Preparing the support device.....	8
4. TYPICAL APPLICATION	9
5. CARE / STORAGE	10
6. REPAIR	10
7. ENVIRONMENTALLY FRIENDLY DISPOSAL	10
8. EC DECLARATION OF CONFORMITY / UK DECLARATION OF CONFORMITY	11

1. READ AND UNDERSTAND FOR YOUR SAFETY



Read and understand these operating instructions **before** using the support device and observe all safety and warning instructions. Misuse can result in **DEATH** or **SEVERE INJURIES** ! These operating instructions are an integral part of the engine transverse strut. Keep them at a safe place for future reference, and always pass them on to subsequent users of the engine transverse strut. The engine transverse strut complies with the recognised rules of technology as well as the relevant safety regulations.

1.1 Target group

These operating instructions are **exclusively** intended for skilled personnel in specialised motor vehicle workshops!

The support device **may only be** used by skilled personnel in specialised motor vehicle workshops who are familiar with the basic regulations on work safety and accident prevention!

✔ **Never** allow unauthorised, inexperienced persons, minors and children, or persons with limited physical, sensory, and mental abilities to use the the support device!

1.2 Obligations of the owner

Pursuant to the German Ordinance on Industrial Safety and Health (*BetrSichV*), employers are obliged to provide their employees with safe work equipment in accordance with the recognised rules of technology and the relevant safety regulations!

✔ The owner of the support device **must** ensure that **only** trained personnel in specialised vehicle workshops use the engine transverse strut.

✔ The owner of the support device **must** ensure that the operating instructions are available to the user and that the user has completely read and understood the instructions **before** using the support device!

✔ The owner of the support device **must** ensure that the user is familiar with the basic regulations on work safety and accident prevention, and that personal protective equipment is available to him!

1.3 Intended use

The support device ...

✔ **may only be** used to support and fix a wheel suspension, for example, when removing and installing the suspension strut or when replacing the axle suspension arms!

✔ **may only be** used with a gearbox lifting jack which has been approved in accordance with the **EC Machinery Directive 2006/42/EC**!

✔ **may only** be used up to a **max. load of 300 kg!**

✔ **may only** be used with **GEDORE Automotive** genuine spare parts and accessories!

✔ **may only** be used in the way described in these operating instructions!

⚠ Any other use can result in **DEATH** or **SEVERE INJURIES** !

1.4 Reasonably foreseeable misuse

The support device ...

✔ **must never** be used for lifting the vehicle or other loads than those intended for it!

✔ **must never** be used with any other drive than that intended for it!

✔ **must never** be used with a bridged, modified, or removed safety device!

✔ **must never** be modified, converted, or used for other purposes without authorisation!

⚠ Use the engine transverse strut **always** as intended. Any other use can result in **DEATH** or in **SEVERE INJURIES**!

1.5 Work environment

For your safety, **only** use the support device in a safe working environment.

✔ The workplace **must** be clean and tidy.

✔ The workplace **must** be sufficiently large and illuminated.

✔ The workplace **must** be on a solid and non-skidding floor.

✔ The workplace **must** be safeguarded against access of unauthorised persons.

✔ The workplace **must** have a room temperature between -10°C and +40°C.

1.6 Personal protective equipment

For your safety, **always** wear personal protective equipment when using the support device! The support device can bring about mechanical hazards, such as crushing, cutting, and shock injuries.



Always wear **EYE PROTECTION** (see DIN EN 166, OSHA 29 CFR 1910.133, ANSI Z87) when using the support device for engine transverse strut to protect yourself against parts or particles flying about!

When using the support device, flinging parts or particles can cause **SEVERE INJURIES** to your **eyes!**



Always wear **PROTECTIVE GLOVES** (e.g. DIN EN 388, OSHA 29 CFR 1910.138, ANSI 105) when using the engine transverse strut to protect yourself against sharp edges and crushing between parts!

When working with the support device, sharp edges and crushing between parts can cause **SEVERE INJURIES** to your **hands!**



Always wear **SAFETY SHOES** (for example to DIN EN ISO 20345, OSHA 29 CFR 1910.136, ANSI Z41) when using the support device to protect yourself against dropping parts!

When working with the support device, dropping parts can cause **SEVERE INJURIES** to your **feet and toes!**

EN

1.7 Labelling of the warnings

Warnings warn of potential **hazards**. **Always** observe these warnings to avoid **DEATH** or **INJURIES!**

For better differentiation, warnings in these operating instructions are classified as follows:	
Warning sign	Meaning
	Indicates a hazardous situation which, if not avoided, could cause DEATH or SEVERE INJURIES .
	Indicates a hazardous situation which, if not avoided, could cause MODERATE or MINOR INJURIES .
	Indicates a situation which, if not avoided, can cause damage to the tool or an object in its vicinity.
	Note on important information and useful tips.

1.8 Basic warnings

WARNING - Danger to life from MISUSE

MISUSE can cause the support device to slip, break, and thus drop or be hurled about. This can cause **DEATH** or **SEVERE INJURIES!**

- When using the support device, flinging parts or particles can cause **SEVERE INJURIES** to your **eyes!**
- When working with the support device, sharp edges and crushing between parts can cause **SEVERE INJURIES** to your **hands!**
- When working with the support device, dropping parts can cause **SEVERE INJURIES** to your **feet and toes!**
- Read and understand these operating instructions **before using** the support device and observe all safety and warning instructions for **safe use!**
- Always** work with the support device in accordance with the basic regulations on work safety and accident prevention!
- Only** use the support device as intended and described in these operating instructions!
- Always** observe the vehicle-specific application procedures in the vehicle manufacturer's repair guide!
- Never** use the support device if it is damaged or has loose parts or unauthorised modifications!
- Never** use the support device with any other drive than intended!
- Never** lift/lower the vehicle with a second lifting device while using the support device on the vehicle. Put other lifting equipment out of operation and secure it against unintentional restart!
- The support device may only be used with a gearbox lifting jack which has been approved in accordance with the *EC Machinery Directive 2006/42/EC!*
- Always** observe the safety regulations for the respective gearbox lifting device.
- Always** wear your personal protective equipment (*safety goggles, protective gloves, safety shoes*) during work!
- Never** beat the support device with a hammer or anything similar!

⚠ WARNING - Danger to life from OVERLOAD

OVERLOAD can cause the support device to slip, break, and thus drop or be hurled about. This can cause **DEATH** or **SEVERE INJURIES!**

- ✔ **Never** exceed the **maximum loading capacity** of the support device and the gearbox lifting jack!
- ✔ **Never** use the support device for lifting a vehicle!
- ✔ **Never** use the support device if it is damaged or has loose parts or unauthorised modifications!
- ✔ **Always** wear your personal protective equipment (*safety goggles, protective gloves, safety shoes*) during work!

⚠ WARNING - Danger of injury from DROPPING

The support device and the vehicle may **CRASH DOWN** when being used. This can cause **DEATH** or **SEVERE INJURIES!**

- ✔ **Always** make sure that the support device is securely attached to the gearbox lifting jack!
- ✔ **Always** secure the support device with two wheel bolts or wheel nuts to the wheel hub!
- ✔ **Never** leave the support device unattended in loaded condition on the vehicle!
- ✔ **Never** lift/lower the vehicle with a second lifting device while using the support device on the vehicle. Put other lifting equipment out of operation and secure it against unintentional restart!
- ✔ **Always** check the stability of the support device and the gearbox lifting jack before use!
- ✔ **Always** wear your personal protective equipment (*safety goggles, protective gloves, safety shoes*) during work!

ATTENTION - Risk of DAMAGE

The vehicle can be **DAMAGED**.

- ✔ **Always** observe the vehicle-specific application procedures in the vehicle manufacturer's repair guide!
- ✔ **Never** clamp the support device in a vice.

1.9 Basic safety instructions

For your own safety, **always** observe the following safety precautions when using the the support device in order to avoid injuries and material damage caused by misuse or unsafe handling.

- ✔ Read and understand these operating instructions **before using** the support device and observe all safety and warning instructions for **safe use!**
- ✔ **Always** observe the vehicle-specific application procedures in the vehicle manufacturer's repair guide!
- ✔ **Always** work with the support device in accordance with the basic regulations on work safety and accident prevention!
- ✔ **Never** use the support device when you are tired or under the influence of alcohol, drugs, or medication!
- ✔ **Before each use**, check the support device **carefully** for damage, loose parts, or unauthorised modifications. **Never** use it if you notice any such deficiencies!
- ✔ Use **only genuine GEDORE Automotive** spare parts and accessories!
- ✔ **Before using** the support device, make sure that **no** unauthorised persons are in the immediate environment!
- ✔ **Always** observe the **max. loading capacity** when using the support device, and **never** exceed it!
- ✔ **Never** use the support device with any other drive than intended!
- ✔ **Never** lift/lower the vehicle with a second lifting device while using the support device on the vehicle. Put other lifting equipment out of operation and secure it against unintentional restart!
- ✔ **Always** wear your personal protective equipment (*safety goggles, protective gloves, safety shoes*) during work!
- ✔ Interrupt your work **immediately** if you are unsure about using the support device, and contact **GEDORE Automotive GmbH if necessary!**
- ✔ For safety reasons, stop using the support device if any damage is detected on it! Professional inspection and repair may only be carried out by specially trained personnel from **GEDORE Automotive GmbH!**
- ✔ **Always** use the support device as intended; non-compliance will invalidate any warranty claim and may significantly reduce its durability.

2. PRODUCT DESCRIPTION

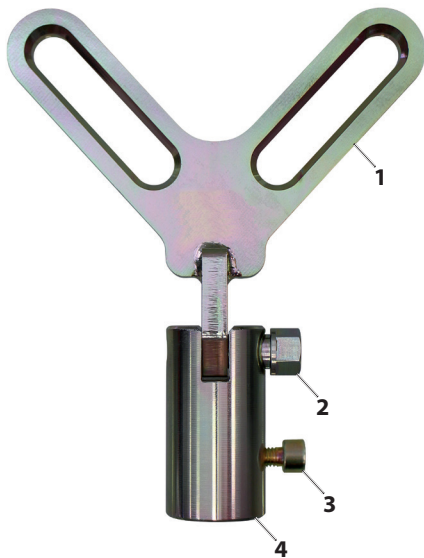
2.1 KL-0145-120 A - Support device

Universally fitting for wheel hubs with a hole circle diameter of 5x130mm, 5x120mm, 5x112mm, 5x100mm and many others.

A loose or sagging wheel suspension can damage the brake hose, the vehicle level sensor, cable connections, and the drive shaft.

The support device, in combination with a gearbox lifting jack, enables the wheel suspension to be properly supported and fixed; for example, when removing and installing the suspension strut or replacing the axle suspension arms. The support is provided by the wheel hub and thus ensures a reliable hold in the respective position.

Due to its special design, the support device is adjustable in the camber angle. This allows the wheel suspension to be lowered and raised precisely at different angles.



2.2 Scope of delivery/single parts overview

Item	Part no.	Description	Qty.
1	KL-0145-1201	Wheel hub fork	1
2	KL-0145-1203 A	Clamping screw	1
3	KL-0043-5914	Locking screw	1
4	KL-0145-1202 A	Sleeve	1

2.4 Accessories

KL-0040-2571

Adapter reception sleeve

Required when using a gear jack with 25mm mounting diameter.



KL-0040-2588

Adapter reception sleeve for VW

Required when using a gear jack with 35 mm mounting diameter.



2.3 Specifications

Maximum load capacity: 300kg

Reception diameter 30mm

Overall height: 205mm

Tilt angle: +/- 45°

3. PREPARATION

⚠ WARNING

Misuse or **overloading** the adapter reception sleeve can cause it to slip, break, and thus drop or fling around. This can cause **DEATH** or **SEVERE INJURIES!**

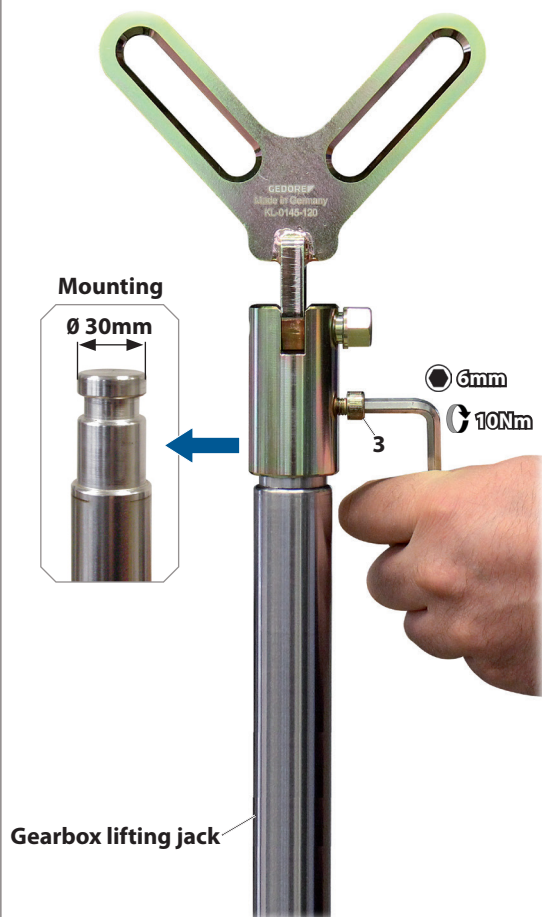
- ✔ **Prior to using** the support device, read and understand **all** safety instructions and warnings listed in **Chapter 1**, and **always observe them for safe use!**
- ✔ Use the support device **as intended** and **always** carry out maintenance and repair work in compliance with the regulations on occupational safety and accident prevention as well as the vehicle manufacturer's instructions!
- ✔ **Before each use**, check the support device **carefully** for damage, loose parts, or unauthorised modifications. **Never** use it if you notice any such deficiencies!
- ✔ **Always** wear your personal protective equipment (for example safety goggles, protective gloves, safety shoes) when working!

3.1 Checking the scope of delivery

Prior to preparing or using the support device, check that all parts of the scope of delivery are available (see chapter 2.), and follow the instructions below.

3.2 Preparing the support device

📷 1: Preparing the support device ...



⚠ WARNING

If an **unauthorised** gearbox lifting jack is used, the support device and heavy parts may crash down or be thrown around. This can cause **DEATH** or **SEVERE INJURIES!**

- ✔ The support device may only be used with a gearbox lifting jack which has been approved in accordance with the *EC Machinery Directive 2006/42/EC!*
- ✔ **Always** observe the safety instructions of the gearbox lifting jack as well!

⚠ CAUTION

The support device may crash down. This can cause **MEDIUM** or **MINOR** injuries!

- ✔ The support device must **always be fully** seated on the gearbox jack pick-up journal and secured by means of the locking screw [3]!
- ✔ **Only** use a gearbox lifting jack with a reception for **30mm** diameter or a combination with a suitable **GEDORE-Automotive** adapter sleeve!

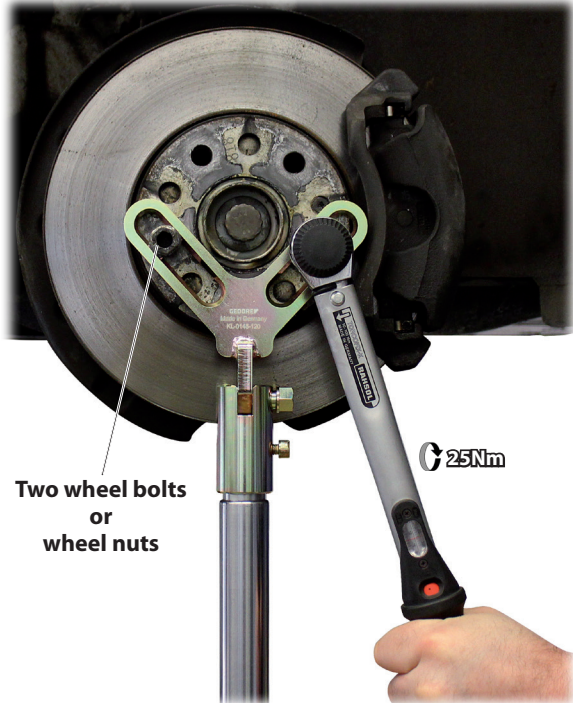
1. Place the support device on a suitable gear lifting jack as shown, and tighten the locking screw [3] clockwise to **10Nm**.

❗ For gearbox jacks with **25mm** or **35mm** receiving diameter, matching adapter sleeves can be found in **chapter 2.4**.

4. TYPICAL APPLICATION

This typical application example describes how to support and fix a wheel suspension using the support device in combination with a gearbox lifting jack.

📷2: Screw the support device to the wheel hub using 2 wheel bolts or wheel nuts.



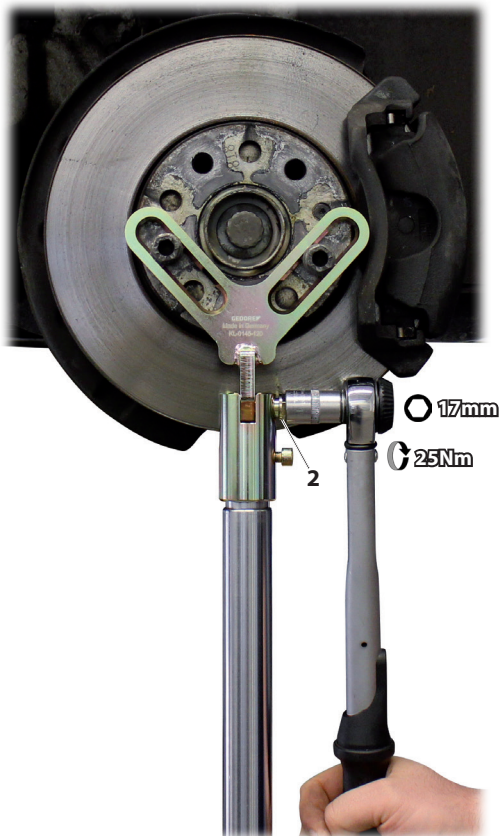
⚠️ WARNING

If the support device is **not adequately** fastened to the wheel hub, it may slip or break, causing parts to drop or be thrown around. This can cause **DEATH** or **SEVERE INJURIES!**

➤ **Always** fix the support device to the wheel hub with **two** wheel bolts or wheel nuts!

1. Screw the support device to the wheel hub using **two** wheel bolts or wheel nuts as shown in and tighten them to **25Nm**.

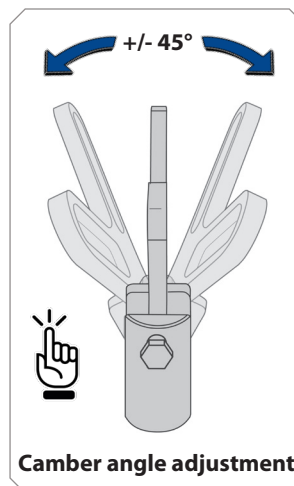
📷3: Clamp the camber angle adjustment to the support device.



⚠️ CAUTION

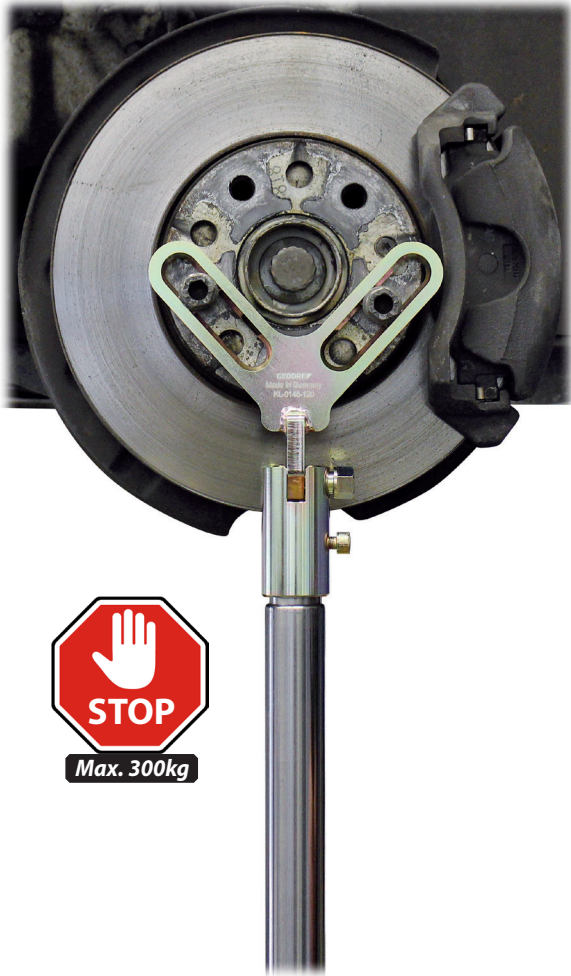
If the camber angle adjustment is **insufficiently** fastened, the support device may abruptly fold to the side during the work. This can cause **MEDIUM** or **LIGHT INJURIES** to your hands!

➤ The camber angle adjustment must be correctly clamped **before** starting work!



2. Fix the camber angle adjustment to the support device by tightening the clamping screw [2] clockwise with **25Nm**.

4: Perform the work carefully on the wheel suspension in accordance with the manufacturer's specifications.



⚠ WARNING

High forces can act when lifting the wheel suspension. This can cause the support device to break and parts to drop or be thrown around. This can cause **DEATH** or **SEVERE INJURIES!**

- ▶ **Never** exceed the **maximum loading capacity** of the support device and the gearbox lifting jack!
- ▶ **Never** use the support device for lifting a vehicle!
- ▶ **Never** lift/lower the vehicle with a second lifting device while using the support device on the vehicle. Put other lifting equipment out of operation and secure it against unintentional restart!
- ▶ **Always** work with the support device in accordance with the basic regulations on work safety and accident prevention!

3. Use the support device with caution and perform the work on the vehicle according to the manufacturer's instructions.

5. CARE / STORAGE

CAUTION

Improper care and storage can damage the support device. Therefore, **never** immerse the support device in water, solvents, or other cleaning liquids. After use, clean all parts **only** with a dry and clean cleaning cloth. To protect against corrosion, rub all metal parts with a tool care oil or wax. Store the support device and the operating instructions at a dry and clean place.

6. REPAIR

⚠ WARNING

If damage to the support device is detected, do no longer use it for safety reasons! Professional inspection and repair may only be carried out by specially trained experts from **GEDORE Automotive GmbH**. Improper repair can result in **DEATH** or **SEVERE INJURIES**.

7. ENVIRONMENTALLY COMPLIANT DISPOSAL

Dispose of the support device and the packaging material in an environmentally compatible way in accordance with the legal requirements. If necessary, ask your local authorities about environmentally friendly disposal options.

8. EC DECLARATION OF CONFORMITY / UK DECLARATION OF CONFORMITY**EC DECLARATION OF CONFORMITY (Translation)**

in accordance with EC Directive 2006/42/EC, Annex II A

Name and address of the manufacturer

GEDORE Automotive GmbH
Breslauer Straße 41
78166 Donaueschingen, GERMANY

We hereby declare that the product described below

Designation: Supporting Device

Series / Type: KL-0145-120 A

complies with all relevant provisions of the *Machinery Directive 2006/42/EC*.

The declaration loses its validity if the product is converted or modified without our consent.

Applied harmonised EN standards:

EN ISO 12100:2010 - *Safety of machinery - General principles for design - Risk assessment and risk reduction*

Other technical standards and specifications applied:

EN IEC/IEEE 82079-1:2020 - *Preparation of information for use (instructions for use) of products - Part 1: Principles and general requirements*

Authorised representative of GEDORE Automotive GmbH for the compilation of all technical documents:

Head of product development, Breslauer Straße 41, 78166 Donaueschingen, GERMANY

Donaueschingen, 26 October 2022



i.V. Michael Wehler, Head of Global Business Development, GEDORE Automotive GmbH

UK DECLARATION OF CONFORMITY (Original UK Declaration of conformity)

in terms of The Supply of Machinery (Safety) Regulations 2008, Annex II 1A

Name and address of manufacturer

GEDORE Automotive GmbH
Breslauer Straße 41
78166 Donaueschingen, GERMANY

We hereby declare that the product described below

Designation: Supporting Device

Series / Type: KL-0145-120 A

conforms to all relevant provisions of the Supply of Machinery (Safety) Regulations 2008.

The declaration loses its validity if the product is converted or modified without our consent.

Designated (GB) or harmonised (NI) standards applied:

EN ISO 12100:2010 - *Safety of machinery - General principles for design - Risk assessment and risk reduction*

Other technical standards and specifications applied:

EN IEC/IEEE 82079-1:2020 - *Preparation of information for use (instructions for use) of products - Part 1: Principles and general requirements*

Authorised representative for compiling the technical documents:

GEDORE Torque Ltd. / Tannery Ln, Gosden Common / Guildford GU5 0AJ, United Kingdom

Donaueschingen, 26 October 2022



i.A. Michael Wehler, Head of Global Business Development, GEDORE Automotive GmbH

GEDORE-Werkzeugfabrik GmbH & Co. KG

Remscheider Straße 149
42899 - Remscheid
Postfach 120361
47873 Remscheid
GERMANY

Vertrieb DEUTSCHLAND

☎ +49 (0) 2191 / 596-0
☎ +49 (0) 2191 / 596-230
✉ info@gedore.com
🌐 www.gedore.com

Sales INTERNATIONAL

☎ +49 (0) 2191 / 596-910
☎ +49 (0) 2191 / 596-911
✉ info@gedore.com
🌐 www.gedore.com

GEDORE TOOLS, INC.

Only for USA, Canada & Mexico
Sólo para EE.UU., Canadá y México
Seulement pour les USA, le Canada et le Mexique
7187 Bryhawke Circle, Suite 700, North Charleston, SC 29418, USA

☎ +1-843 / 225 50 15
☎ +1-843 / 225 50 20
✉ info@gedoretools.com
🌐 www.gedoretools.com

Worldwide GEDORE service centers and offices are listed on the Internet at: www.gedore.com

GEDORE Automotive GmbH

Breslauer Straße 41
78166 - Donaueschingen
Postfach 1329
78154 Donaueschingen
GERMANY

Vertrieb DEUTSCHLAND

☎ +49 (0) 771 / 8 32 23-0
☎ +49 (0) 771 / 8 32 23-90
✉ info.gam@gedore.com
🌐 gedore-automotive.com



www.gedore-automotive.com