

GEDORE

TOOLS FOR LIFE

Ball Joint Extractor



KL-0164-2
KL-0164-3



0164-2e110104_g.docx

GEDORE Automotive GmbH

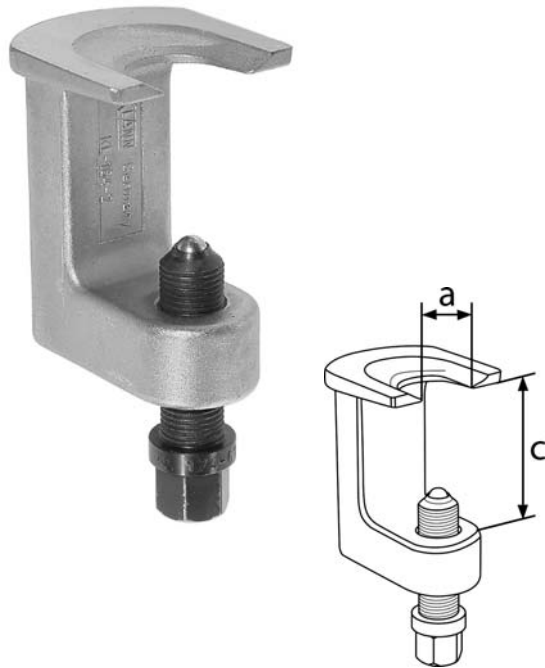
Breslauer Straße 41
78166 Donaueschingen

Postfach 1329
78154 Donaueschingen - GERMANY

Tel.: +49 (0) 771 / 8 32 23-0
Fax: +49 (0) 771 / 8 32 23-90

E-Mail: info@gedore-automotive.com
Internet: www.gedore-automotive.com

KL-0164-2 / KL-0164-3



KL-0164-2 Ball Joint Extractor

Ideal for use in narrow space conditions like on Audi, VW, BMW, Ford, Mercedes A-Class (W168), C-Class (W202), E-Class (W2109), M-Class (W163), SLK (R170), Opel/Vauxhall etc.

Field of Application:

Designed to extract the ball joint pivot pin out of the steering arm, steering knuckle, stabilizer etc . Required for extracting the suspension ball joint pivot pin out of the steering knuckle.

Technical Data:

Dimension a: 23 mm
Dimension c: 55 mm
Weight:..... 900 g

Application example: KL-0164-2



KL-0164-3 Ball Joint Extractor

Suitable for front axle on Audi A4, A6 and A8 as well as VW Passat, Mercedes W203 etc.

Field of Application:

Designed to extract the suspension ball joint pivot pin out of the steering knuckle.

Technical Data:

Dimension a: 28 mm
Dimension c: 55 mm
Weight:..... 900 g

Application example: KL-0164-3



Warnings and Notes

- Any work on vehicles should only be performed by qualified personnel observing and complying with the directions, provisions, and safety regulations issued by the vehicle manufacturer.
- Only the vehicle manufacturer's data apply to all work done on the vehicle.
- All specific vehicle data stated herein are supplied under reserve and without commitment.