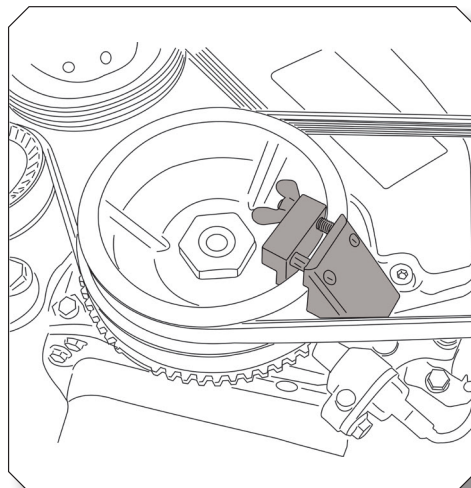




## KL-0183-70 K /-71 K /-710 K Tool Kits for Elastic Belts



**Product information** EN  
 ⚠ Read and understand before use!



[www.gedore-automotive.com](http://www.gedore-automotive.com)



**GEDORE Automotive GmbH**

Breslauer Straße 41  
 78166 - Donaueschingen  
 Postfach 1329  
 78154 Donaueschingen - GERMANY

☎ +49 (0) 771 / 8 32 23-0  
 ☎ +49 (0) 771 / 8 32 23-90  
 ✉ info.gam@gedore.com  
 🌐 gedore-automotive.com

**GEDORE TOOLS, INC.**

Only for USA, Canada & Mexico / Sólo para EE.UU., Canadá y México  
 Seulement pour les USA, le Canada et le Mexique  
 7187 Bryhawke Circle, Suite 700  
 North Charleston, SC 29418, USA

☎ +1-843 / 225 50 15  
 ☎ +1-843 / 225 50 20  
 ✉ info@gedoretools.com  
 🌐 gedore.com

Version 03/2023

0183-71K\_70K\_EN230237.indd

## Product description

### KL-0183-70 K /-71 K /-710 K - Tool kits for elastic belts

**Universal fit. Especially suitable for BMW, Ford, Mazda, Volvo, etc.**

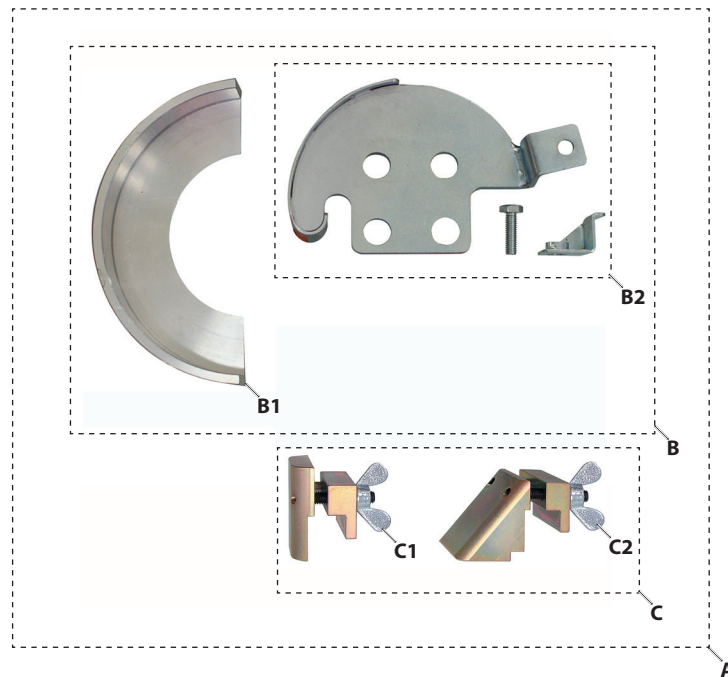
Required for a simple and quick removal and installation of the elastic V-ribbed belts. Without this tool, professional removal and installation is almost impossible, as the belt guide does not have a clamping element and therefore it is not possible to relieve the belt.

#### Single pulley: (KL-0183-70)

The belt is fitted via the crankshaft pulley, e.g. on: BMW 1series (E81, E87), 3 series (E46, E90, E91, E92, E93), 5 series (E60, E61), 6 series (E63, E64), 7 series (E65, E66), X3 (E83), X5 (E53, E70), X6 (E71, E72); Chrysler Voyager III (RG); Citroën C2 (JM), C3 (FC, HB), C4 (LC, LA, UA, UD), Jumper; Dacia Logan / MCV; Fiat Doblo (119, 223), Ducato (244), Fiorino, Linea, Palio (178BX), Stilo (192), Strada (178E); Ford Fiesta V (JH, JD), Focus II / C-Max (DA, DAW), Fusion (JU); Mazda 2 (DY), 3 (BK12, BK14), 5 (CR19); Peugeot 206 CC (2D), 207 (WA, WC, WD), 307 (3A/C, 3E, 3H), Boxer; Renault Logan (LS); Škoda Fabia; Volvo C30 (533), S40 II (MS), V50 (MV); VW Polo (9N).

#### Double pulley: (KL-0183-710)

The belt is fitted via the water pump pulley, e.g. on: Ford Focus II / C-Max (DA, DAW); Volvo C30 (533), S40 II (MS), V50 (MV). (Engine code: ASDA, ASDB, HWDA, HWDB, SHDA, SHDB, SHDC, HXDA, HXDB, SIDA, B4164 S3)



### Scope of supply/single parts overview

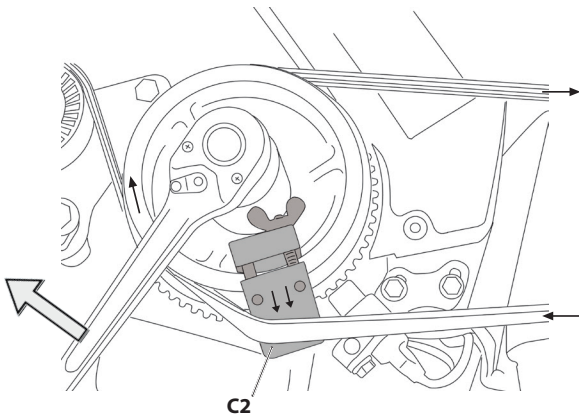
Item	Part no.	Description	Qty.
A	KL-0183-71 K	Tool set for elastic belts	1
B	KL-0183-710 K	Tool kit double pulley	1
B1	KL-0183-712	Belt holding tool	1
B2	KL-0183-711 A	Belt mounting tool	1
C	KL-0183-70 K	Tool kit single pulley	1
C1	KL-0183-702	Belt mounting tool	1
C2	KL-0183-701	Belt disassembly tool	1

**i** KL-0183-70 K in plastic case - KL-0183-7090  
 KL-0183-71 K in plastic case - KL-0183-7190  
 KL-0183-710 K in plastic case - KL-0183-7190

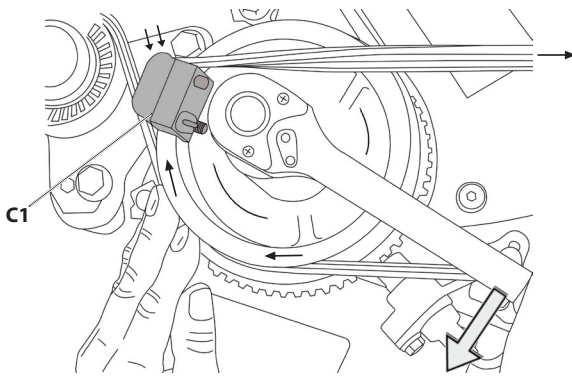
### ⚠ Safety instructions and regulations

- **Before using** the special tools, read and understand all safety instructions and **follow** them for **safe use**!
- Use the special tools **as intended, and** always perform maintenance tasks and repairs in compliance with the regulations on occupational safety and accident prevention and with the instructions by the vehicle manufacturer!
- **Prior to each use**, check the special tools **carefully** for damage, loose parts or unauthorised modifications. **Never** use it if you notice any such deficiencies!
- **Always** wear your personal protective equipment (for example safety goggles, protective gloves, safety shoes) when working!

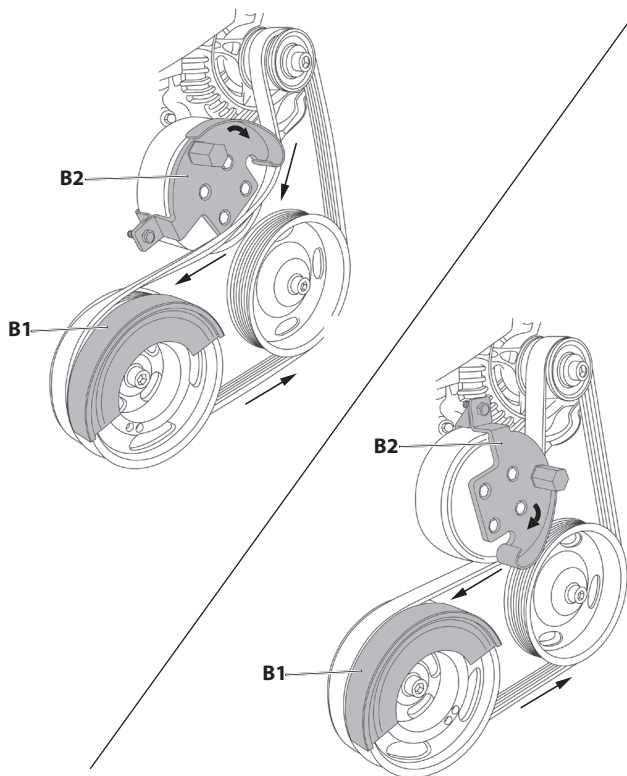
**📷 1:** Belt disassembly using the belt disassembly tool



**📷 2:** Belt installation using the belt mounting tool



**📷 3:** Belt installation using the holding tool and belt mounting tool



## Typical application

### Disassembly and installation of V-ribbed belts using the tool kit for single pulley - KL-0183-70:

#### Belt removal:

1. Mount the belt disassembly tool [C2] to the crankshaft pulley, as shown in 📷 1.
2. Manually turn the crankshaft using the reversible ratchet and the socket spanner and remove the V-ribbed belt.

#### Belt installation:

1. Mount the belt mounting tool [C1] to the crankshaft pulley, as shown in 📷 2.
2. Manually turn the crankshaft using the reversible ratchet and the socket spanner and pull the V-ribbed belt onto the crankshaft pulley.

### Disassembly and installation of V-ribbed belts using the tool kit for double pulley - KL-0183-710:

#### Belt installation:

1. Mount the belt holding tool [B1] to the crankshaft pulley, as shown in 📷 3.
2. Mount the belt mounting tool [B2] to the water pump pulley and fix with holding clamps, as shown in 📷 3.
3. Manually turn the belt mounting tool [B2] using a reversible ratchet with suitable socket spanner and pull the V-ribbed belt onto the pulley using the belt mounting tool [B2]. 📷 3

## Specifications

For engine type: ..... Petrol

Weight: ..... 1.3kg

## GEDORE-Werkzeugfabrik GmbH & Co. KG

Remscheider Straße 149  
42899 - Remscheid  
Postfach 120361  
47873 Remscheid  
GERMANY

### Vertrieb DEUTSCHLAND

☎ +49 (0) 2191 / 596-0  
☎ +49 (0) 2191 / 596-230  
✉ info@gedore.com  
🌐 www.gedore.com

### Sales INTERNATIONAL

☎ +49 (0) 2191 / 596-910  
☎ +49 (0) 2191 / 596-911  
✉ info@gedore.com  
🌐 www.gedore.com

## GEDORE TOOLS, INC.

Only for USA, Canada & Mexico  
Sólo para EE.UU., Canadá y México  
Seulement pour les USA, le Canada et le Mexique  
7187 Bryhawke Circle, Suite 700, North Charleston, SC 29418, USA

☎ +1-843 / 225 50 15  
☎ +1-843 / 225 50 20  
✉ info@gedoretools.com  
🌐 www.gedoretools.com

Worldwide GEDORE service centers and offices are listed on the Internet at: [www.gedore.com](http://www.gedore.com)

## GEDORE Automotive GmbH

Breslauer Straße 41  
78166 - Donaueschingen  
Postfach 1329  
78154 Donaueschingen  
GERMANY

### Vertrieb DEUTSCHLAND

☎ +49 (0) 771 / 8 32 23-0  
☎ +49 (0) 771 / 8 32 23-90  
✉ info.gam@gedore.com  
🌐 gedore-automotive.com



[www.gedore-automotive.com](http://www.gedore-automotive.com)