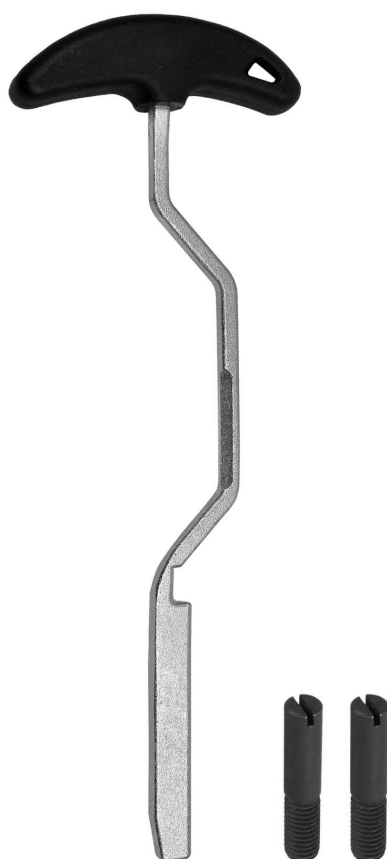




11/2018

Assembly Lever, with Guide Pins



KL-0243-10

EN

www.gedore-automotive.com

GEDORE Automotive GmbH

Breslauer Straße 41
78166 - Donaueschingen
Postfach 1329
78154 Donaueschingen - GERMANY

T +49 (0) 771 / 8 32 23-0
F +49 (0) 771 / 8 32 23-90
info.gam@gedore.com
www.gedore-automotive.com

GEDORE TOOLS, INC.

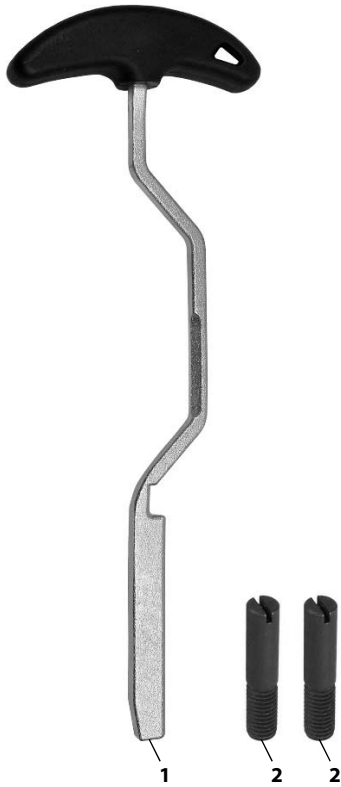
Only for USA, Canada & Mexico
Sólo para EE.UU., Canadá y México
Seulement pour les USA, le Canada et le Mexique

7187 Bryhawke Circle, Suite 700
North Charleston, SC 29418, USA
Phone +1-843 / 225 50 15
Fax +1-843 / 225 50 20
info@gedoretools.com

GEDORE WELTWEIT / GEDORE WORLDWIDE

Weltweite GEDORE Servicestellen / Niederlassungen finden Sie im Internet unter: www.gedore.com
Worldwide GEDORE service centers / offices are listed on the Internet at: www.gedore.com

KL-0243-10



KL-0243-10 Assembly Lever, with Guide Pins

Applicable to VW-Audi, SEAT and ŠKODA vehicles equipped with a transversely mounted 7-speed double-clutch gearbox OAM; such as Audi A3 (8P); VW Polo (6R, 6C), Golf (1K), Golf Plus (1KP), Touran (1T), Eos (1F), Passat (3C), Passat CC (35), Scirocco (13); SEAT Ibiza V (KJ), Toledo (5P); ŠKODA Fabia (5P), Octavia (1Z) etc.

Field of Application

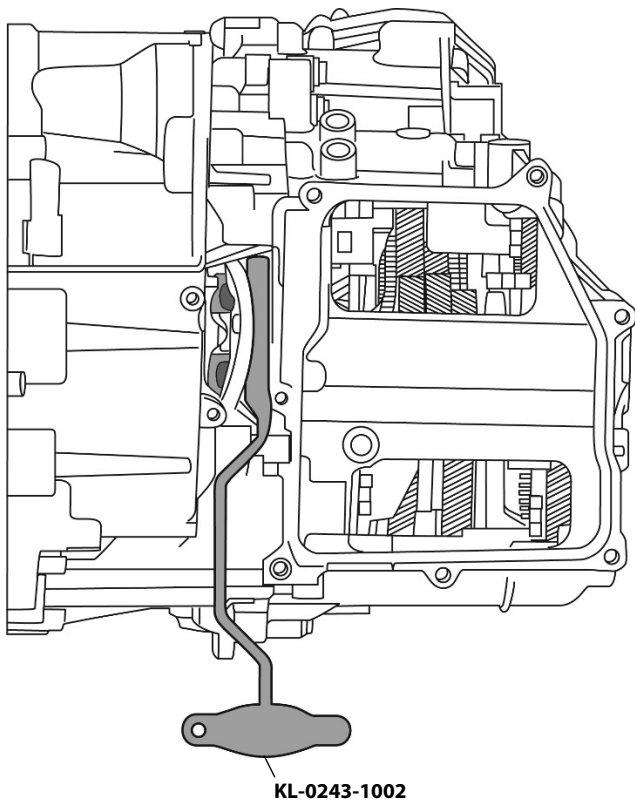
Required to pre-load and lock the clutch engagement levers when removing and installing the mechatronic unit on a (DSG) double-clutch gear box OAM.

The guide pins supplied with the kit ensure straight mounting of the mechatronic unit.

Scope of Delivery

Pos.	Part No.	Description	Qty
-	KL-0243-10	Assembly Lever, with Guide Pins	1
<i>composed of:</i>			
1	KL-0243-1002	Assembly Lever (for Plungers)	1
2	KL-0243-1001	Guide Pin	2

Example of use:



⚠ Warnings and Notes

- Before each use, visually check the tool to make sure that it is not damaged.
- Always refer to the vehicle manufacturer's data and instructions as only these apply to all work to be carried out on the vehicle.
- All vehicle-specific data stated herein are supplied under reserve and without commitment.