

GEDORE

TOOLS FOR LIFE

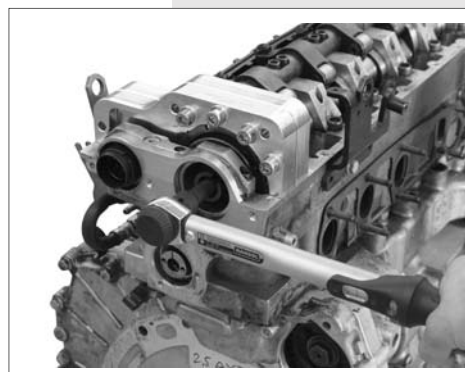
Locking Tool Set, VW 2.5 TDI



KL-0280-29 KA

KL-0280-290 K

KL-0280-270 K



www.gedore-automotive.com

GEDORE Automotive GmbH

Breslauer Straße 41 Postfach 1329
78166 Donaueschingen 78154 Donaueschingen - GERMANY

+49 (0) 771 / 8 32 23-0
+49 (0) 771 / 8 32 23-90

info@gedore-automotive.com
www.gedore-automotive.com



0280-29KAe171120

KL-0280-29 KA



VW

KL-0280-29 KA Locking Tool Set, VW 2.5 TDI

Suitable for use on VW 2.5 TDI engines as found in:
VW Touareg, Transporter T5.

Engine codes: AXD, AXE, BAC, BLJ, BLK, BNZ, BPC, BPD, BPE

Very useful tool set for the locking/positioning of camshaft and crankshaft. Includes all the tools required to pre-load and lock the gear train when adjusting the valve timing as well as a special tool for turning the crankshaft.

An indispensable tool set when performing an engine repair.

Scope of Delivery: (see table *Scope of Delivery 1 and 2*)

KL-0280-290 K Upgrade Kit, VW 4.9 / 5.0 TDI, for KL-0280-29 KA

Applicable to VW 4.9 and 5.0 TDI Pumpe-Düse (unit injector) engines as found in: VW Phaeton and Touareg etc.

Engine codes: AJS, AYH, BKW, BLE, BWF, CBWA

The KL-0280-290 K upgrade kit is designed to be used in conjunction with the locking tool set KL-0280-29 KA so as to widen the application range to cover also the VW Phaeton and Touareg 4.9 and 5.0 TDI engines.

The combination of these tool sets provides you with all the tools required for turning the crankshaft and for the locking/positioning of camshaft and crankshaft. It also includes tools to pre-load and lock the gear train when adjusting the valve timing.

Scope of Delivery: (see table *Scope of Delivery 3*)

KL-0280-270 K Upgrade Kit, VW 2.5 TDI, for KL-0280-27 KA to form KL-0280-29 KA

The KL-0280-270 K upgrade kit includes all the tools required to pre-load and lock the gear train when adjusting the valve timing. In conjunction with the KL-0280-27 KA tool set, the kit covers the same applications as the KL-0280-29 KA locking tool set.

Scope of Delivery: (see table *Scope of Delivery 1*)

KL-0280-290 K



KL-0280-270 K

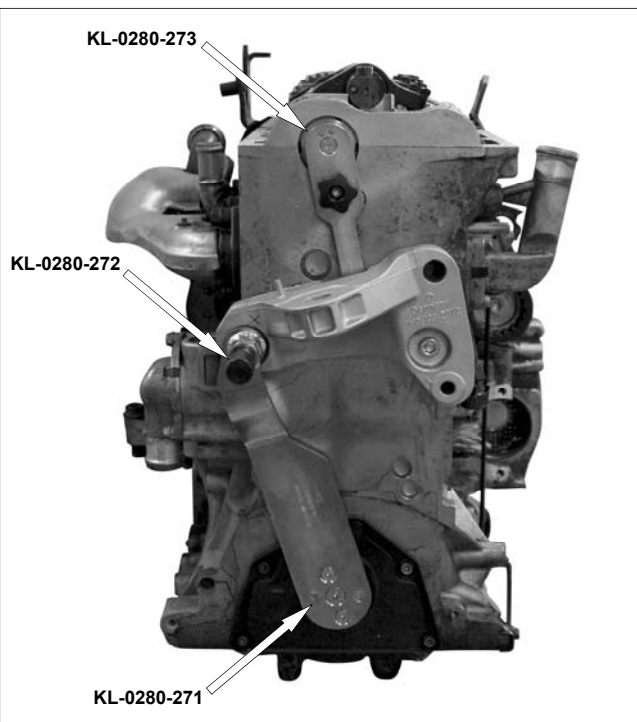


Scope of Delivery 1: KL-0280-29 KA + KL-0280-270 K





Part No./Description	Qty	Image	Cross Reference OEM Tool No.
KL-0280-291 Retaining Tool For locking the camshaft gear when removing the play from the cam gear train. Necessary when loosening/tightening the camshaft gear bolt.	1		T10199/1 ^{*A}
KL-0280-292 Retaining Tool For locking the camshaft gear.	1		T10199 ^{*A}
KL-0280-293 Adjustment Tool For pre-loading the camshaft compensation gear. Necessary when tightening the camshaft compensation gear bolt.	1		T10234 ^{*A}
KL-4031-3516 Screwdriver Bit Socket, XZN-M16 For loosening/tightening the camshaft gear bolt.	1		T10198 ^{*A}
KL-4031-3110 Screwdriver Bit Socket, XZN-M10 For loosening/tightening the camshaft compensation gear bolt.	1		-

*A Alternative Tool

Example of use:



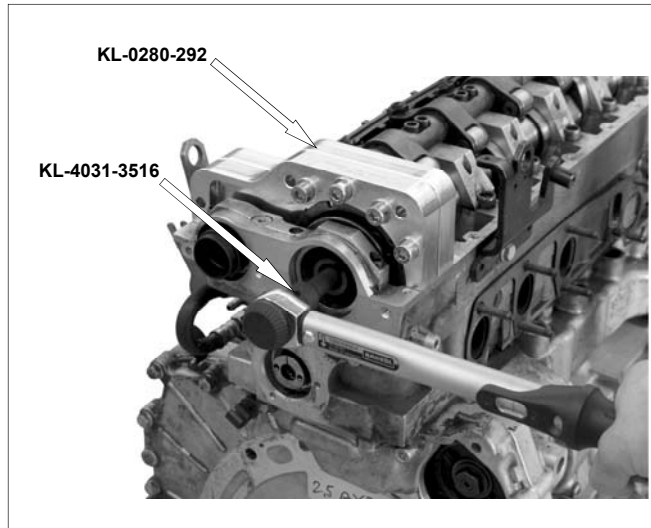
Scope of Delivery 2: KL-0280-29 KA

Part No./Description	Qty	Image	Cross Reference OEM Tool No.
KL-0280-271 Locking Tool for Crankshaft For locking the crankshaft.* * (use only in conjunction with KL-0280-272)	1		T10226 ^{*A}
KL-0280-272 Locking Pin, Ø 16mm, Ø 10.3mm For securing the KL-0280-271 locking tool.	1		
KL-0280-273 Locking Tool for Camshaft For locking the camshaft.	1		T10193 ^{*A}
KL-0284-823 Special Crankshaft Tool For turning the crankshaft.	1		T10225 ^{*E}
KL-0280-2990 Plastic Storage Case	1		

^{*A} Alternative Tool

^{*E} Equivalent Tool

Example of use:



Scope of Delivery 3: KL-0280-290 K

Part No./Description	Qty	Image	Cross Reference OEM Tool No.
KL-0280-2901 Locking Tool for Camshaft For locking the camshaft.	1		T10194* ^E
KL-0280-2902 Locking Tool for Crankshaft For locking the crankshaft.	1		T10195* ^E
KL-0280-2903 Guide Pin Set For installing the gear train assembly.	1		T10200* ^E
KL-4990-1107 Plastic Storage Case	1	Warnings and Notes	
		<ul style="list-style-type: none"> Do not attempt to start the engine whilst tools of the KL-0280-29 KA / KL-0280-290 K / KL-0280-270 K locking tool sets are still mounted. All vehicle-specific data stated herein are supplied under reserve and without commitment. Any work on vehicles should only be performed by qualified specialist personnel observing and complying with the directions, provisions, and safety regulations specified by the vehicle manufacturer. Always refer to the vehicle manufacturer's data and instructions as only these apply to all work that is carried out on the vehicle. 	

*^E Equivalent tool