



KL-0280-702 K

Locking Tool Set, VW 1.2-2.0 TDI



Product information EN
⚠ Read and understand before use!

www.gedore-automotive.com



GEDORE Automotive GmbH

Breslauer Straße 41
78166 - Donaueschingen
Postfach 1329
78154 Donaueschingen - GERMANY

☎ +49 (0) 771 / 8 32 23-0
☎ +49 (0) 771 / 8 32 23-90
✉ info.gam@gedore.com
🌐 gedore-automotive.com

GEDORE TOOLS, INC.

Only for USA, Canada & Mexico / Sólo para EE.UU., Canadá y México
Seulement pour les USA, le Canada et le Mexique
7187 Bryhawke Circle, Suite 700
North Charleston, SC 29418, USA

☎ +1-843 / 225 50 15
☎ +1-843 / 225 50 20
✉ info@gedoretools.com
🌐 gedore.com

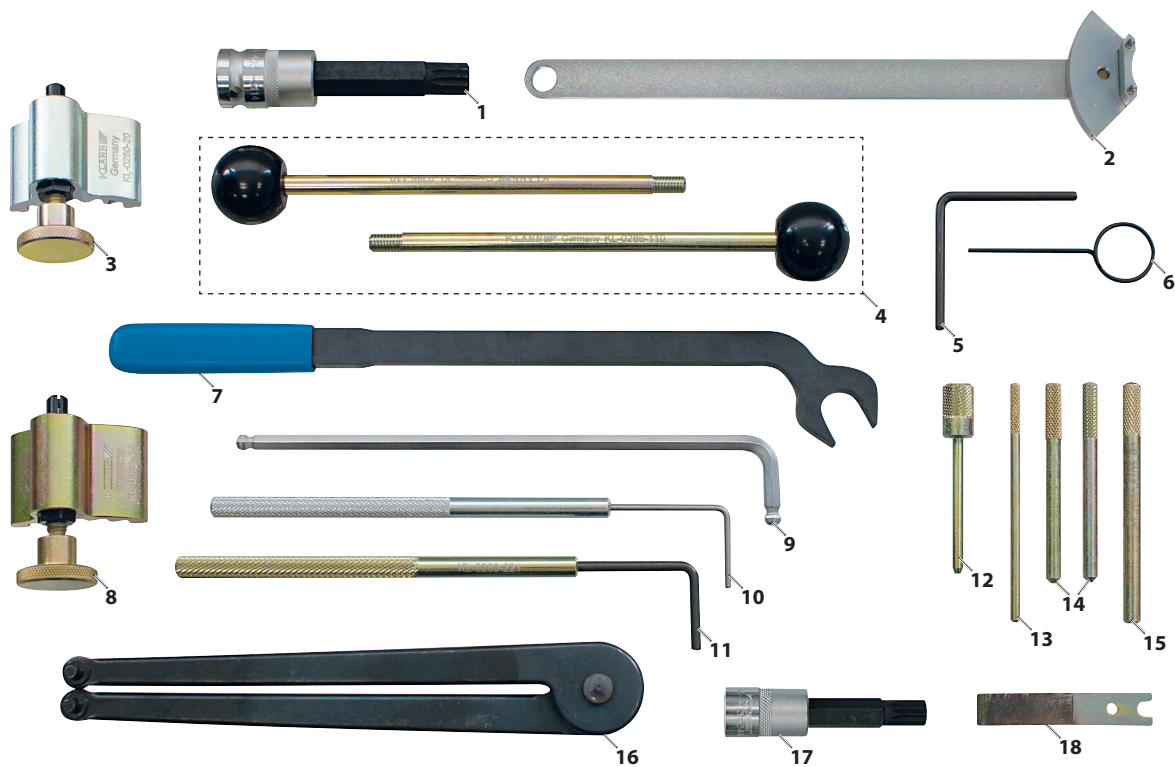
Version 3 - 04/2022

Product description

KL-0280-702 K - Locking tool set, VW 1.2-2.0 TDI

Applicable to VW-Audi, Seat, Škoda and Ford vehicles equipped either with a 1.2, 1.4, 1.6, 1.9 or 2.0 Common Rail or Pumpe-Düse (unit injector) Diesel engine. Engines fitted to: VW Beetle, Caddy, Crafter, Fox, Golf, Jetta, Lupo, Passat, Polo, Scirocco, Sharan, Tiguan, Touran, Transporter T5; Audi A1, A2, A3, A4, A5, Q5, A6, TT; Seat Alhambra, Altea, Arosa, Exeo, Ibiza, Leon, Toledo; Škoda Fabia, Fabia II, Octavia II, Roomster, Superb, Superb II, Yeti and Ford Galaxy etc. (Engine codes: AJM, AMF, ANU, ANY, ARL, ASZ, ASZ1, ATD, ATL, AUY, AVB, AVF, AVQ, AWX, AXB, AXC, AXR, AYZ, AZV, BAY, BDJ, BDJ, BGW, BHC, BHW, BJB, BKC, BKD, BKE, BKP, BLB, BLS, BLT, BMA, BMM, BMN, BMP, BMR, BMS, BMT, BNA, BNM, BNV, BPW, BPX, BPZ, BRB, BRC, BRD, BRE, BRF, BRM, BRR, BRS, BRT, BRU, BSS, BST, BSU, BSV, BSW, BTB, BUK, BUY, BUZ, BVA, BVA, BVE, BVF, BVG, BVH, BVK, BWB, BWV, BXE, BXF, BXJ, CAAA, CAAB, CAAC, CAGA, CAGB, CAGC, CAHA, CAHB, CAYA, CAYB, CAYC, CAYD, CAYE, CBAA, CBAB, CBAC, CBBA, CBBB, CBDA, CBD, CBD, CBDC, CCHA, CDBA, CDCA, CEGA, CFCA, CFFA, CFFB, CFFD, CFFE, CFGB, CFHA, CFHB, CFHC, CFHD, CFHE, CFHF, CFJA, CFWA, CGLA, CGLB, CGLC, CGLD, CJAA, CJCA, CJC, CKTB, CKTC, CKUB, CKUC, CLCA, CLCB, CLJA, CLLA, CMEA)


Designed for the locking/positioning of engine shafts such as camshaft, injection pump shaft and crankshaft. The kit also includes tools to lock/position and adjust the timing belt tensioner. An indispensable tool set when replacing a timing belt or performing an engine repair.

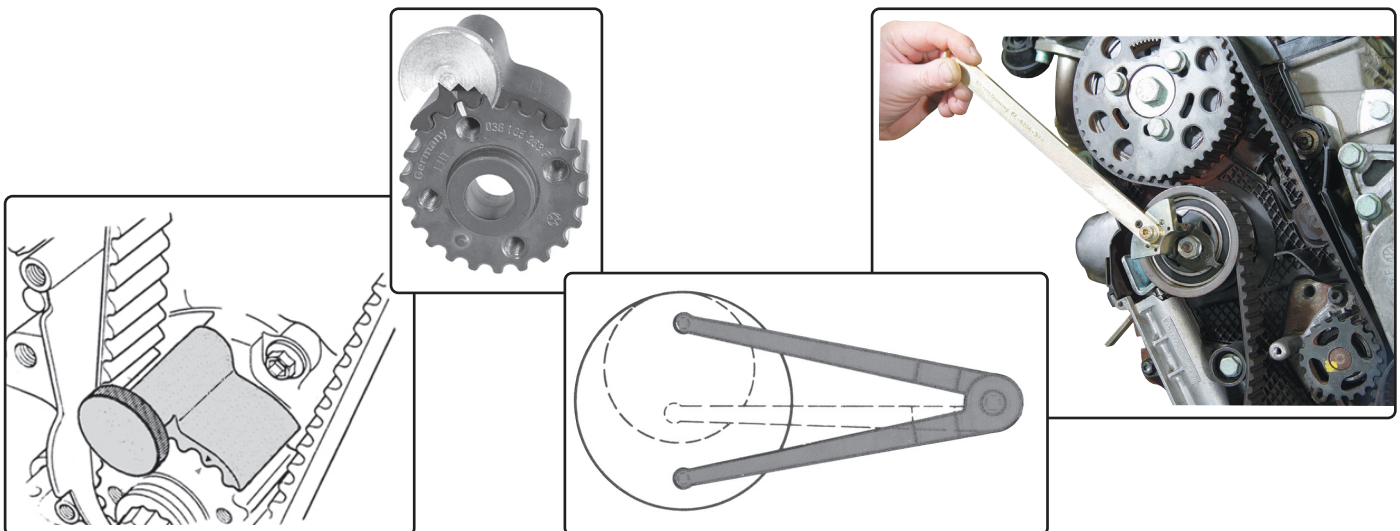


⚠ Safety instructions and regulations!

- **Before using** the special tool, read and understand **all** warning and safety instructions and **follow** them for **safe use!**
- Work on electrical installations may **only** be carried out by appropriately **qualified personnel!**
- **Always** observe and adhere to **all** safety rules and regulations when working on electrical installations!
- Use the special tool **as intended**, and **always** carry out maintenance and repair work in compliance with the regulations on occupational safety and accident prevention as well as the vehicle manufacturer's instructions!
- **Before each use**, check the special tool **carefully** for damage, loose parts, or unauthorised modifications. **Never** use it if you notice any such deficiencies!
- **Always** wear your personal protective equipment (such as safety goggles, protective gloves, safety shoes) during work!

Scope of delivery/Component overview

Pos.	Part No.	Description	Qty	Alternative Tool No.
1	R62701419	Screw driver bit socket, XZN-M14, 100mm	1	T10061
2	KL-0284-91 A	Adjustment tool for timing belt tensioner, 240mm	1	3387 // 303-1053 // Matra V.159 // MB995207 // MP-1-302 // T10020 // T100200 // T20197 // U-30009 // U-30009A // VAG3387 // 608 42 00
3	KL-0280-20 A	Locking tool	1	2588-110 // 8949 // T10100
4	KL-0286-11	Guide pin set	1	3369 // 3411 // T10093 // T10228 // T20070 // T30092
5	KL-0280-222	Locking pin (angled), Ø 4mm	1	T10060 // T10060A // T20167
6	KL-0180-3024	Retaining pin, Ø 2.4mm	1	09919-58320 // 303-1054 // Drill Ø 3mm // KM-955 // KM-955-1 // KM-955-10 // T10115
7	KL-0284-92	Tensioner pulley spanner (waf 16mm)	1	T10241//T20126
8	KL-0280-19 A	Locking tool	1	2588-1 // 23-059 // 310-085 // MB995209 // T10050 // 608 94 75 // 608 94 85
9	KL-0280-2202 A	Special hexagon socket key, (waf) 6mm	1	Allen key 6mm, angled // T10264
10	KL-0280-2201 A	Locking tool (angled), Ø 2.5mm	1	1026 // T10265
11	KL-0280-221	Locking pin (angled), Ø 4mm	1	T40098
12	KL-0280-2501	Locking pin, Ø 4.4mm	1	3204 // T10060 // T20167
13	KL-0280-6101	Locking pin, Ø 4mm	1	Drill Ø 4mm
14	KL-1480-16	Locking pin (long), Ø 6mm	2	3359 // Drill Ø 6mm // MB995206 // MP-1-301 // T20102 // U-40074 // 430 13 50
15	KL-0280-6102	Locking pin, Ø 7mm	1	Drill Ø 7mm
16	KL-0149-131	Pin-type face spanner, Ø 14-100mm, pin Ø 5mm	1	3212 // 400 0238 10
17	KL-4031-3610	Screw driver bit socket, XZN-M10	1	T10385
18	KL-0280-16	Holding tool	1	23-058 // 310-08 // T10008 // 608 41 60
 KL-0280-702 K in Plastic storage case - KL-0280-7029				



GEDORE-Werkzeugfabrik GmbH & Co. KG

Remscheider Straße 149
42899 - Remscheid
Postfach 120361
47873 Remscheid
GERMANY

Vertrieb DEUTSCHLAND

☎ +49 (0) 2191 / 596-0
☎ +49 (0) 2191 / 596-230
✉ info@gedore.com
🌐 www.gedore.com

Sales INTERNATIONAL

☎ +49 (0) 2191 / 596-910
☎ +49 (0) 2191 / 596-911
✉ info@gedore.com
🌐 www.gedore.com

GEDORE TOOLS, INC.

Only for USA, Canada & Mexico
Sólo para EE.UU., Canadá y México
Seulement pour les USA, le Canada et le Mexique
7187 Bryhawke Circle, Suite 700, North Charleston, SC 29418, USA

☎ +1-843 / 225 50 15
☎ +1-843 / 225 50 20
✉ info@gedoretools.com
🌐 www.gedoretools.com

Worldwide GEDORE service centers and offices are listed on the Internet at: www.gedore.com

GEDORE Automotive GmbH

Breslauer Straße 41
78166 - Donaueschingen
Postfach 1329
78154 Donaueschingen
GERMANY

Vertrieb DEUTSCHLAND

☎ +49 (0) 771 / 8 32 23-0
☎ +49 (0) 771 / 8 32 23-90
✉ info.gam@gedore.com
🌐 gedore-automotive.com



www.gedore-automotive.com