

GEDORE

TOOLS FOR LIFE

Fuel Filter Cap Installation Tool



KL-0289-10



0289-10e160902.docx

GEDORE Automotive GmbH

Breslauer Straße 41
78166 Donaueschingen

Postfach 1329
78154 Donaueschingen - GERMANY

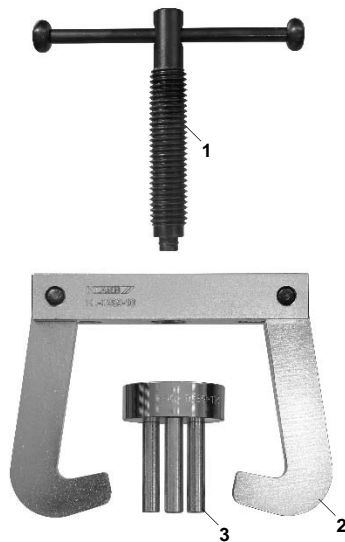
Phone: +49 (0) 771 / 8 32 23-0
Fax: +49 (0) 771 / 8 32 23-90

Email: info@gedore-automotive.com
Internet: www.gedore-automotive.com

KL-0289-10



Scope of Delivery:



Example of Use:



KL-0289-10 - Fuel Filter Cap Installation Tool

Suitable for the VW-Audi, Seat and Škoda Diesel vehicles equipped with a UFI fuel filter unit.

Field of Application

This very useful tool allows for the torsion-free mounting of the fuel filter cap on the fuel filter housing; necessary, for example, after changing the fuel filter cartridge.

The fuel filter cap installation tool is designed to press the fuel filter cap evenly and in a torsion-free manner into the seal seat of the fuel filter housing. Then, the fuel filter cap can be fixed according to the manufacturer's instructions.

Note: If a fuel filter cap is inserted into the seal seat of the fuel filter housing without the use of our special installation tool but by means of the fastening screws, there is a risk that the fuel filter cap is subjected to torsional stress during installation which could lead to leakage in the fuel filter unit.

Scope of Delivery

Pos.	Part No.	Description	Qty
-	KL-0289-10	Fuel Filter Cap Installation Tool	1
<i>Composed of:</i>			
1	KL-0289-102	Spindle with T-Handle	1
2	KL-0289-101	Base Tool	1
3	KL-0289-103	Thrust Piece	1

Correct Use

1. After replacing the fuel filter cartridge, position the fuel filter cap loosely on the fuel filter housing.
Note: Respect the specified fuel filter cap installation position.
2. Place fuel filter cap installation tool on fuel filter housing/fuel filter cap as shown in the example of use.
3. Carefully turn spindle with T-handle "1" clockwise, and insert fuel filter cap evenly and in a torsion-free manner into the seal seat of the fuel filter housing until limit stop.
4. Remove fuel filter cap installation tool.
5. Secure fuel filter cap according to the manufacturer's instructions.

Warnings and Notes

- Before putting the tool into operation, carry out a visual check to make sure it is not damaged.
- Always refer to the vehicle manufacturer's data and instructions as only these apply to all work that is carried out on the vehicle.
- All specific vehicle data stated herein are supplied under reserve and without commitment.