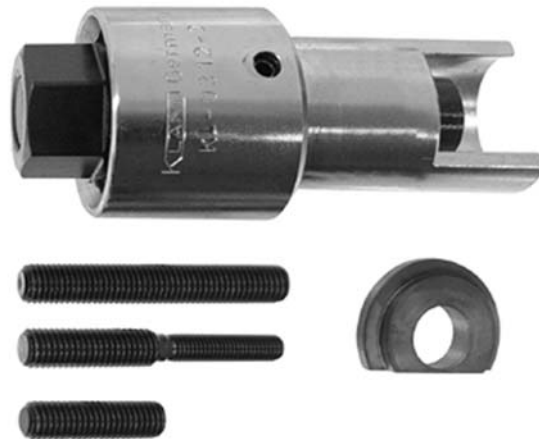


GEDORE

TOOLS FOR LIFE



Puller for Chain Slider Bolts



KL-0312-2



0312-2e100916.docx

GEDORE Automotive GmbH

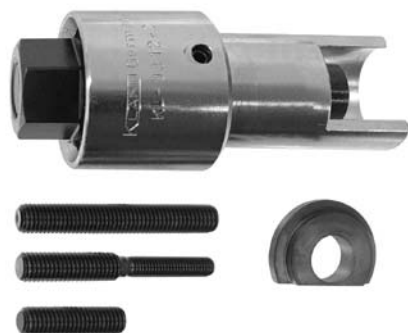
Breslauer Straße 41
78166 Donaueschingen

Postfach 1329
78154 Donaueschingen - GERMANY

Phone: +49 (0) 771 / 8 32 23-0
Fax: +49 (0) 771 / 8 32 23-90

Email: info@gedore-automotive.com
Internet: www.gedore-automotive.com

KL-0312-2



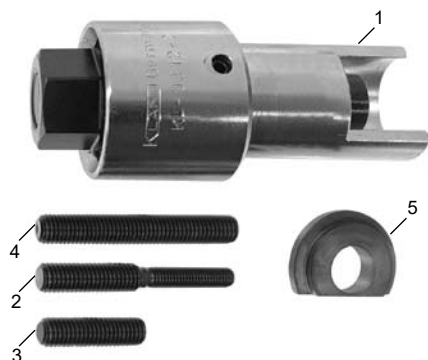
Application example:



Note:

It is recommended not to use a slide hammer for this kind of work, as there is a high risk that the aluminium housing will break.

Scope of delivery:



KL-0312-2 Puller for Chain Slider Bolts

Suitable for the chain slider bolts on Mercedes and BMW; puller bolts and adaptor disc included in the tool set.

Field of Application

This short version is required for repairs where the radiator has not to be removed from the vehicle.



Warnings and Notes

- Any work on engines should only be performed by qualified personnel always observing and complying with the directions, provisions, and safety regulations issued by the vehicle manufacturer!
- Only the vehicle manufacturer's data apply to all work done on the vehicle.

Scope of delivery

Pos.	Part No.	Description	Qty.
	KL-0312-2	Puller for Chain Slider Bolts	1
<i>consists of:</i>			
1	KL-0312-200	Puller; base tool	1
2	KL-0312-0010	Puller bolt M6 x 30 mm	1
3	KL-0312-0011	Puller bolt M8 x 30 mm	1
4	KL-0312-0012	Puller bolt M8 x 60 mm	1
5	KL-0312-0013	Adaptor disc	1