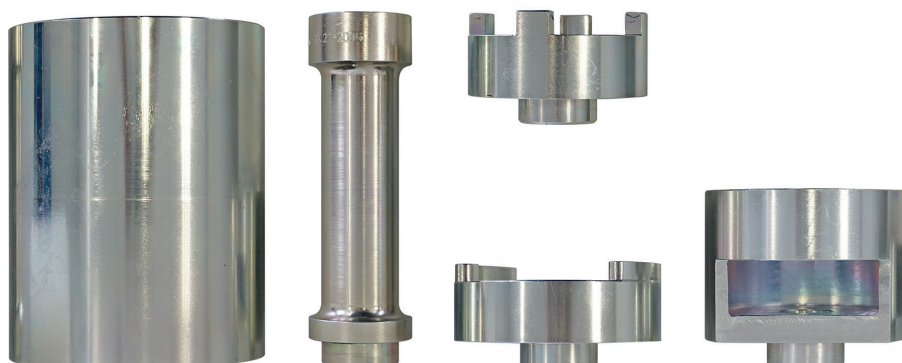




KL-0356-151

Silent Block Tool for Mercedes GLA Rear Axle



Operating instructions EN
 ⚠ Read and understand before use!



www.gedore-automotive.com



GEDORE Automotive GmbH

Breslauer Straße 41
 78166 - Donaueschingen
 Postfach 1329
 78154 Donaueschingen - GERMANY

☎ +49 (0) 771 / 8 32 23-0
 ☎ +49 (0) 771 / 8 32 23-90
 ✉ info.gam@gedore.com
 🌐 gedore-automotive.com

GEDORE TOOLS, INC.

Only for USA, Canada & Mexico / Sólo para EE.UU., Canadá y México
 Seulement pour les USA, le Canada et le Mexique
 7187 Bryhawke Circle, Suite 700
 North Charleston, SC 29418, USA

☎ +1-843 / 225 50 15
 ☎ +1-843 / 225 50 20
 ✉ info@gedoretools.com
 🌐 gedore.com

Version 1 - 10/2021



ENGLISH

EN

EN

Manufacturer's address

GEDORE Automotive GmbH

Breslauer Straße 41 // 78166 Donaueschingen - GERMANY

☎ +49 (0)771/83223-71 // ✉ info.gam@gedore.com

Imprint

In the course of improvement and adaptation to the state of the art, we reserve the right to make changes with regard to appearance, dimensions, weights and properties, and performance.

This does not imply any claim to correction or subsequent delivery of already delivered products. Deletions can be made at any time without any legal claim arising.

Instructions for use and safety are not binding. They never substitute for any legal or trade association regulations.

We do not accept any liability for printing errors.

Any reproduction, in whole or in part, requires the prior written consent of **GEDORE Automotive GmbH**.

All rights reserved worldwide. © Copyright by **GEDORE Automotive GmbH**, Donaueschingen (GERMANY)

We refer to our general terms and conditions which
can be found in the imprint at:

www.gedore-automotive.com



Contents

1. FOR YOUR SAFETY	4
1.1 Target group.....	4
1.2 Obligations of the owner.....	4
1.3 Intended use	4
1.4 Reasonably foreseeable misuse	4
1.5 Personal protective equipment.....	5
1.6 Labelling of the warnings.....	5
1.7 Basic warnings	5
1.8 Basic safety instructions	6
1.9 Work environment	7
1.10 Emissions.....	7
1.11 Maintenance	7
1.12 Troubleshooting.....	7
2. PRODUCT DESCRIPTION	8
2.1 KL-0356-151 - Silent block tool for Mercedes GLA rear axle	8
2.2 Scope of delivery / component overview.....	8
2.3 Specifications.....	8
3. PREPARATION	9
3.1 Checking the scope of delivery	9
3.2 Assembling drive parts	9
3.3 Preparing the vehicle	9
3.4 Rear axle carrier silent block overview	10
3.5 Preparing the tool.....	11
4) EXAMPLE OF USE	11
4.1 Silent block A (<i>upper/rear</i>) removal.....	11
4.2 Silent block A (<i>upper/rear</i>) installation	12
4.3 Silent block B (<i>upper/front</i>) removal.....	13
4.4 Silent block B (<i>upper/front</i>) installation	14
5. CARE AND STORAGE	15
6. REPAIR	15
7. ENVIRONMENTALLY FRIENDLY DISPOSAL	15

1. FOR YOUR SAFETY



Read and understand these operating instructions **before using** the silent block tool, and observe all safety and warning instructions! Misuse can result in **DEATH** or **SEVERE INJURIES**! These operating instructions are an integral part of the spring compressor. Keep them at a safe place for future reference, and always pass them on to subsequent users of the silent block tool! The silent block tool complies with the recognised rules of technology as well as the relevant safety regulations!

1.1 Target group

These operating instructions are **exclusively** intended for skilled personnel in specialised motor vehicle workshops!

The silent block tool **may only be** used by skilled personnel in specialised motor vehicle workshops who are familiar with the basic regulations on work safety and accident prevention!

✔ **Never** allow unauthorised, inexperienced persons, minors and children, or persons with limited physical, sensory, and mental abilities to use the silent block tool!

1.2 Obligations of the owner

Pursuant to the German Ordinance on Industrial Safety and Health (*BetrSichV*), employers are obliged to provide their employees with safe work equipment in accordance with the recognised rules of technology and the relevant safety regulations!

✔ The owner of the silent block tool **must** ensure that **only** trained personnel in specialised vehicle workshops use the silent block tool!

✔ The owner of the silent block tool **must** ensure that the instructions for use are available to the user and that the user has completely read and understood the instructions for use **before** using the silent block tool!

✔ The owner of the silent block tool **must** ensure that the user is familiar with the basic regulations on work safety and accident prevention, and that the personal protective equipment is available to him!

1.3 Intended use

The silent block tool ...

✔ **may only** be used for pressing the four upper silent blocks on the Mercedes rear axle carrier in and out!

✔ **may only** be used on vehicles as specified in **Chapter 2 - Product description!**

✔ **may only** be used up to a **max. load of 7 tonnes!**

✔ **may only** be used with a manual drive or a manually operated **GEDORE Automotive** hydraulic cylinder/pump combination with a pressure gauge for safe pressure control!

✔ **may only** be used in the way described in these operating instructions!

⚠ Any other use can result in **DEATH** or **SEVERE INJURIES**!

1.4 Reasonably foreseeable misuse

The silent block tool ...

✔ **must never be** used for pressing out or pressing in wheel bearings or misused for any other purpose!

✔ **must never** be used with a machine drive or a machine-operated hydraulic cylinder/pump combination or any other drive than intended!

✔ **must never** be used for batch processing with numerous pressing in/out processes within a few minutes!

✔ **must never** be used with a bridged, modified, or removed safety device!

✔ **must never** be modified, converted, or used for other purposes without authorisation!

⚠ Use the silent block tool **always** as intended. Any other use can result in **DEATH** or in **SEVERE INJURIES**!

1.5 Personal protective equipment

For your safety, **always** wear personal protective equipment when using the silent block tool! The silent block tool can bring about mechanical hazards, such as crushing, cutting, and shock injuries.



Always wear **EYE PROTECTION** (for example to DIN EN 166, OSHA 29 CFR 1910.133, ANSI Z87) when using the silent block tool to protect yourself against flying parts or particles!

When using the silent block tool, flinging parts or particles can cause **SEVERE INJURIES** to your **eyes**!



Always wear **PROTECTIVE GLOVES** (for example to DIN EN 388, OSHA 29 CFR 1910.138, ANSI 105) when using the silent block tool to protect yourself against sharp edges and crushing between parts!

When working with the silent block tool, sharp edges and crushing between parts can cause **SEVERE INJURIES** to your **hands**!



Always wear **SAFETY SHOES** (for example to DIN EN ISO 20345, OSHA 29 CFR 1910.136, ANSI Z41) when using the silent block tool to protect yourself against dropping parts!

When working with the silent block tool, dropping parts can cause **SEVERE INJURIES** to your **feet and toes**!

EN

1.6 Labelling of the warnings

Warnings warn of potential **hazards**. **Always** observe these warnings to avoid **DEATH** or **INJURIES**!

For better differentiation, warnings in these operating instructions are classified as follows:

Warning sign	Meaning
	Indicates a hazardous situation which, if not avoided, could cause DEATH or SEVERE INJURIES .
	Indicates a hazardous situation which, if not avoided, could cause MODERATE or MINOR INJURIES .
	Indicates a situation which, if not avoided, can cause damage to the tool or an object in its vicinity.
	Note on important information and useful tips.

1.7 Basic warnings

! WARNING - Danger to life from MISUSE

MISUSE can cause the silent block tool to slip, break and thus drop or be hurled about. This can cause **DEATH** or **SEVERE INJURIES**!

- When using the silent block tool, flinging parts or particles can cause **SEVERE INJURIES** to your **eyes**!
- When working with the silent block tool, sharp edges and crushing between parts can cause **SEVERE INJURIES** to your **hands**!
- When working with the silent block tool, dropping parts can cause **SEVERE INJURIES** to your **feet and toes**!
- Always wear **EYE PROTECTION** (for example to DIN EN 166, OSHA 29 CFR 1910.133, ANSI Z87) when using the silent block tool to protect yourself against flying parts or particles!
- Always wear **PROTECTIVE GLOVES** (for example to DIN EN 388, OSHA 29 CFR 1910.138, ANSI 105) when using the silent block tool to protect yourself against sharp edges and crushing between parts!
- Always wear **SAFETY SHOES** (for example to DIN EN ISO 20345, OSHA 29 CFR 1910.136, ANSI Z41) when using the silent block tool to protect yourself against dropping parts!
- Read and understand these operating instructions **before using** the silent block tool, and observe all safety and warning instructions for **safe use**!
- Always** work with the silent block tool in accordance with the basic regulations on work safety and accident prevention!
- Only** use the silent block tool as described in these operating instructions!
- Always** observe the vehicle-specific application procedures in the vehicle manufacturer's repair guide!
- Never** use the silent block tool if it is damaged or has loose parts or unauthorised modifications!
- Never** use the silent block tool with an inadmissible drive. Drive it **exclusively** with a manual drive or a manually driven **GEDORE Automotive** hydraulic cylinder/pump combination with pressure gauge for safe pressure control!
- Never** use the silent block tool for batch processing with numerous forcing in/out processes within a few minutes!
- Always** wear your personal protective equipment (*safety goggles, protective gloves, safety shoes*) during work!
- Never** hit the silent block tool with a hammer or anything similar!

⚠ WARNING - Danger to life from OVERLOAD

OVERLOAD can cause the silent block tool to slip, break, and thus drop or fling around. This can cause **DEATH** or **SEVERE INJURIES!**

- ✔ **Never** exceed the **maximum loading capacity** of the silent block tool!
- ✔ **Never** use the silent block tool if it is damaged or has loose parts or unauthorised modifications!
- ✔ **Never** use the silent block tool with an inadmissible drive. Drive it **exclusively** with a manual drive or a manually driven **GEDORE Automotive** hydraulic cylinder/pump combination with pressure gauge for safe pressure control!
- ✔ **Never** use the silent block tool for batch processing with numerous forcing in/out processes within a few minutes!
- ✔ **Always** wear your personal protective equipment (*safety goggles, protective gloves, safety shoes*) during work!

⚠ WARNING - Danger of injury from FALLING

There is a risk of the silent block tool **DROPPING** during preparation and use (overhead, for example). This can cause **SEVERE INJURIES!**

- ✔ Avoid dropping the silent block tool at **all costs!**
- ✔ **Always** make sure that the silent block tool is securely attached to the axle!
- ✔ **As a precaution**, secure the silent block tool against dropping, for example using the **GEDORE** safety harness - **KL-0040-2590**, or the mounting device - **KL-0040-258 A**
- ✔ **Never** leave the silent block tool unattended in loaded condition at the axle!
- ✔ Put down the wheel silent block tool **safely** to prevent it from dropping, for example on a workbench!
- ✔ **Always** wear your personal protective equipment (*safety goggles, protective gloves, safety shoes*) during work!

ATTENTION - Risk of DAMAGE

The vehicle, silent block tool, and the axle can be **DAMAGED**.

- ✔ **Always** observe the installation position of the silent block specified by the vehicle manufacturer!
- ✔ **Always** observe vehicle-specific application procedures in the vehicle manufacturer's repair guide.
- ✔ **Prior to each use**, check the moving parts and the spindle of the silent block tool for sufficient lubrication. If necessary, lubricate them **only** with molybdenum disulphide paste (*for example with GEDORE KL-0014-0030!*)
- ✔ **Never** use the silent block tool for batch processing with numerous forcing in/out processes within a few minutes!
- ✔ **Never** clamp the silent block tool in a vice.

1.8 Basic safety instructions

For your safety, **always** observe the following safety precautions when using the silent block tool in order to avoid injuries and material damage caused by misuse or unsafe handling.

- ✔ Read and understand these operating instructions **before using** the silent block tool, and observe all safety and warning instructions for **safe use!**
- ✔ **Always** observe the vehicle-specific application procedures in the vehicle manufacturer's repair guide!
- ✔ **Always** work with the silent block tool in accordance with the basic regulations on work safety and accident prevention!
- ✔ **Never** use the silent block tool when you are tired or under the influence of alcohol, drugs, or medication!
- ✔ **Before each use**, check the silent block tool **carefully** for damage, loose parts, or unauthorised modifications. **Never** use it if you notice any such deficiencies!
- ✔ Use **only** genuine **GEDORE Automotive** spare parts and accessories!
- ✔ **If necessary**, carry, lift, and position the silent block tool with the help of a second specialist due to its weight!
- ✔ **Before using** the silent block tool, make sure that **no** unauthorised persons are in the immediate environment!
- ✔ **Always** observe the **max. loading capacity** when using the silent block tool, and **never** exceed it!
- ✔ **Never** stand in axial extension of the silent block tool when it is under load!
- ✔ **Always** keep hair, clothing, and gloves away from rotating parts!
- ✔ **Never** use the silent block tool with an unauthorised drive. Drive it **only** with an approved drive!

- ✔ **Always** wear your personal protective equipment (*safety goggles, protective gloves, safety shoes*) during work!
- ✔ Interrupt your work **immediately** if you are unsure about using the silent block tool, and contact **GEDORE Automotive GmbH if necessary!**
- ✔ For safety reasons, ensure that a damaged silent block tool is no longer used! Professional inspection and repair may only be carried out by specially trained personnel from **GEDORE Automotive GmbH!**
- ✔ **Always** use the silent block tool as intended. Non-compliance will invalidate any warranty claim and may significantly reduce its durability!

1.9 Work environment

For your safety, **only** use the silent block tool in a safe working environment.

- ✔ The workplace **must** be clean and tidy.
- ✔ The workplace **must** be sufficiently large and illuminated.
- ✔ The workplace **must** be on a solid and non-skidding floor.
- ✔ The workplace **must** be safeguarded against access of unauthorised persons.
- ✔ The workplace **must** have a room temperature between -10°C and +40°C.

1.10 Emissions

Molybdenum disulphide paste and hydraulic oil can drip or escape when using the silent block tool and thus pose a hazard to the environment.

- ✔ **Immediately** remove leaking hydraulic oil as well as excess molybdenum disulphide paste (using oil binding agents or a rag, for example).
- ✔ In case of skin contact with hydraulic oil, clean the affected area **immediately** with degreasing soap and water.
- ✔ Dispose of pollutants such as hydraulic oil and molybdenum disulphide paste in an **environmentally friendly** manner.
- ✔ Safety data sheets *in accordance with Regulation (EC) No. 1907/2006*, for hydraulic oil (**Alsus Hyd HLP 32**) as well as for molybdenum disulphide paste (**MOLYKOTE(R) G-N PLUS PASTE**) can be found on the manufacturer's site on the Internet (**World Wide Web**) or, if required, contact GEDORE Automotive GmbH.

1.11 Maintenance

Perform maintenance on the silent block tool **at regular intervals** and **only** when the tool is depressurised! Poor and improper maintenance can damage the silent block tool, thus causing **DEATH** or **SEVERE INJURIES!**

Prior to each use:

- ✔ **Prior to each use**, check the silent block tool **carefully** for damage, loose parts or unauthorised modifications!
- ✔ Prior to **each use** of the silent block tool, check the spindle for contamination and damage. If necessary, clean it, and subsequently lubricate it **only** with molybdenum disulphide paste! (For example, **GEDORE Automotive** molybdenum disulphide paste - **KL-0014-0030**)

Every 6 months:

- ✔ Clean and lubricate the spindle on the silent block tool **at least every 6 months** and **only** with molybdenum disulphide paste! (For example, **GEDORE Automotive** molybdenum disulphide paste - **KL-0014-0030**)

Recommended: Every 24 months:

- ✔ Have the silent block tool professionally checked **every 24 months** by authorised specialists from **GEDORE Automotive GmbH!**

1.12 Troubleshooting

Only perform troubleshooting on the silent block tool when it is depressurised!

Problem: The spindle clamping nuts of the silent block tool are sluggish. (*Mechanical drive*)

Reason: The spindle is contaminated or insufficiently lubricated, or wrong lubricant was used.

Remedy: Clean the spindle, check it for damage, and lubricate it **only** with molybdenum disulphide paste. (For example, **GEDORE Automotive** molybdenum disulphide paste - **KL-0014-0030**)

Problem: Hydraulic oil escapes from the hydraulic coupling between hydraulic cylinder and hand pump.

Reason: Hydraulic coupling contaminated or loose.

Remedy: Clean and retighten the hydraulic coupling. Top up lacking hydraulic oil (**HLP 32**) at the hand pump.

2. PRODUCT DESCRIPTION

2.1 KL-0356-151 - Silent block tool for Mercedes GLA rear axle

Fits Mercedes GLA (X156) and B-Class (W242 / W246).

The silent block tool enables quick and professional removal and insertion of the four upper silent blocks on the rear axle carrier (subframe) directly on the vehicle. To do this, the rear axle carrier is simply lowered slightly; time-consuming removal of the entire rear axle carrier is not necessary for this.

Required drive parts (HYDRAULIC):

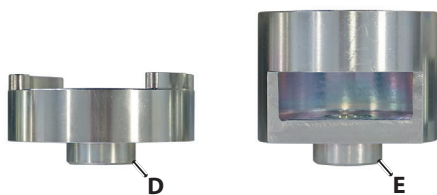
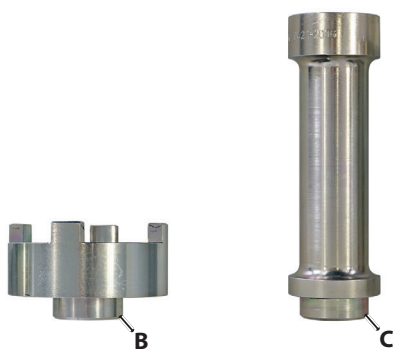
KL-0215-35 M25 - Hydraulic pump 17t, **KL-0040-2500** - Hydraulic cylinder 17t, **KL-0039-1912-1** - Pulling spindle M12, **KL-0039-2112-2** - Quick clamping nut M12, **KL-0039-1002** - Mounting adapter for quick clamping nut, **KL-0039-1003** - Mounting adapter for hydraulic cylinder.

Required drive parts (MECHANICAL):

KL-0039-2012-1 - Pulling spindle M12, **KL-0039-1912-2** - Collar nut M12, **KL-0039-2112-2** - Quick-release nut M12, **KL-0039-1011** - Mounting adapter for mechanical Spindle, **KL-0039-1002** - Mounting adapter for clamping nut

2.2 Scope of delivery/component overview

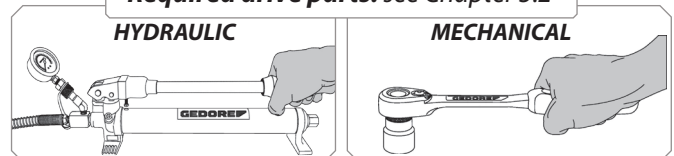
Item	Part no.	Description	Qty.
A	KL-0039-1794	Supporting sleeve (Removal of silent block)	1
B	KL-0356-1511	Thrust piece (Removal of silent block)	1
C	KL-0421-2006	Extension for hydraulic cylinder	1
D	KL-0356-1513	Thrust piece (Installation of silent block)	1
E	KL-0356-1512	Supporting sleeve (Installation of silent block)	1



2.3 Specifications

Maximum load capacity: 7t

Required drive parts: see Chapter 3.2



3. PREPARATION

⚠ WARNING

Misuse or **overloading** the silent block tool can cause it to slip, break, and thus drop or fling around. This can cause **DEATH** or **SEVERE INJURIES!**

- ✔ **Prior to using** the spring compressor, read and understand **all** safety instructions and warnings listed in **Chapter 1** and **always observe them for safe use!**
- ✔ Use the silent block tool **as intended** and **always** carry out maintenance and repair work in compliance with the regulations on occupational safety and accident prevention as well as the vehicle manufacturer's instructions!
- ✔ **Before each use**, check the silent block tool **carefully** for damage, loose parts, or unauthorised modifications. **Never** use it if you notice any such deficiencies!
- ✔ **Always** wear your personal protective equipment (*such as safety goggles, protective gloves, safety shoes*) during work!

3.1 Checking the scope of delivery

Prior to using the silent block tool, check to ensure that all the parts included in the scope of delivery (*see chapter 2.*) are available, and follow the instructions below.

3.2 Assembling drive parts

⚠ WARNING

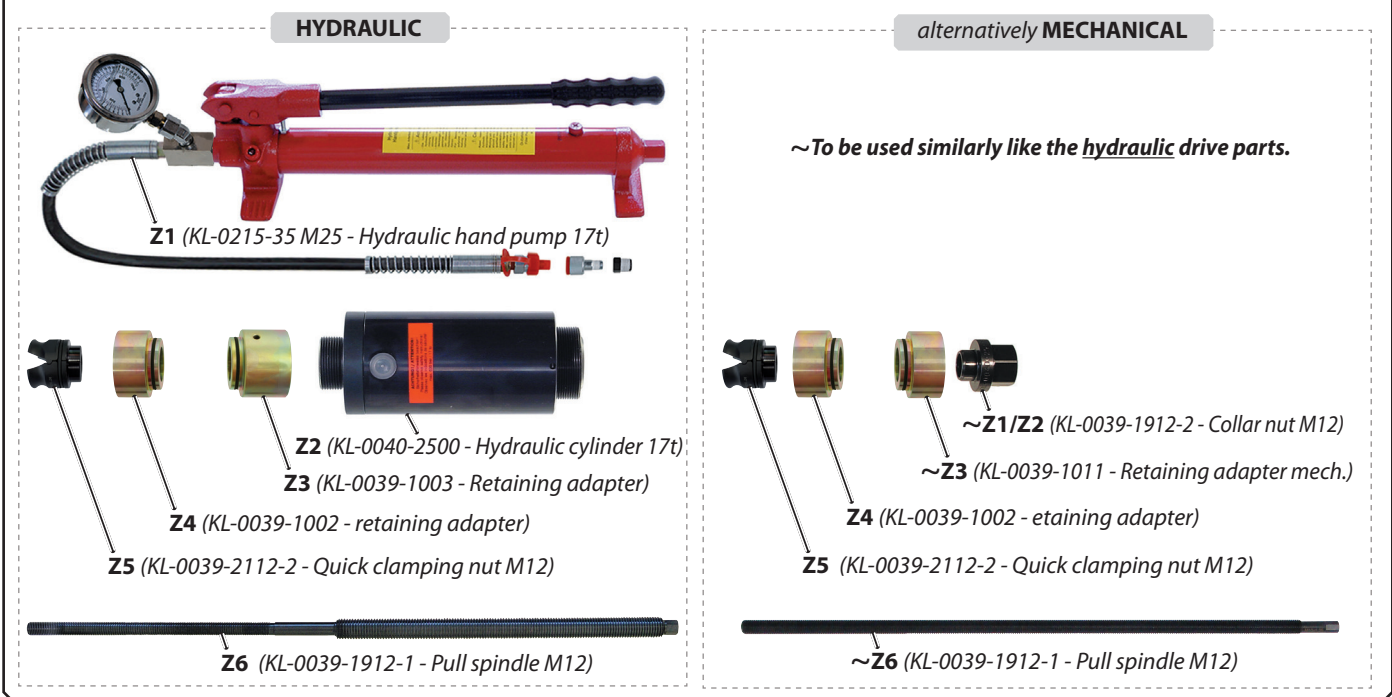
Using a machine-operated drive can cause the silent block tool to slip, break, and thus drop or fling around. This can cause **DEATH** or **SEVERE INJURIES!**

- ✔ Use the silent block tool **exclusively** with a manual drive or a manually operated **GEDORE Automotive** hydraulic cylinder / pump combination with a pressure gauge for reliable pressure control!

1. Assemble the required drive parts for the silent block tool as shown in **📷 1**.

① *For other pressure plates see the GEDORE Automotive catalogue.*

📷 1: Required drive parts



3.3 Preparing the vehicle

1) Safely lift the vehicle and prepare all necessary parts for the following work in accordance with the manufacturer's instructions.

For example:

Remove the wheels, loosen the rear axle carrier, lower it slightly using the transmission jack, and secure it.

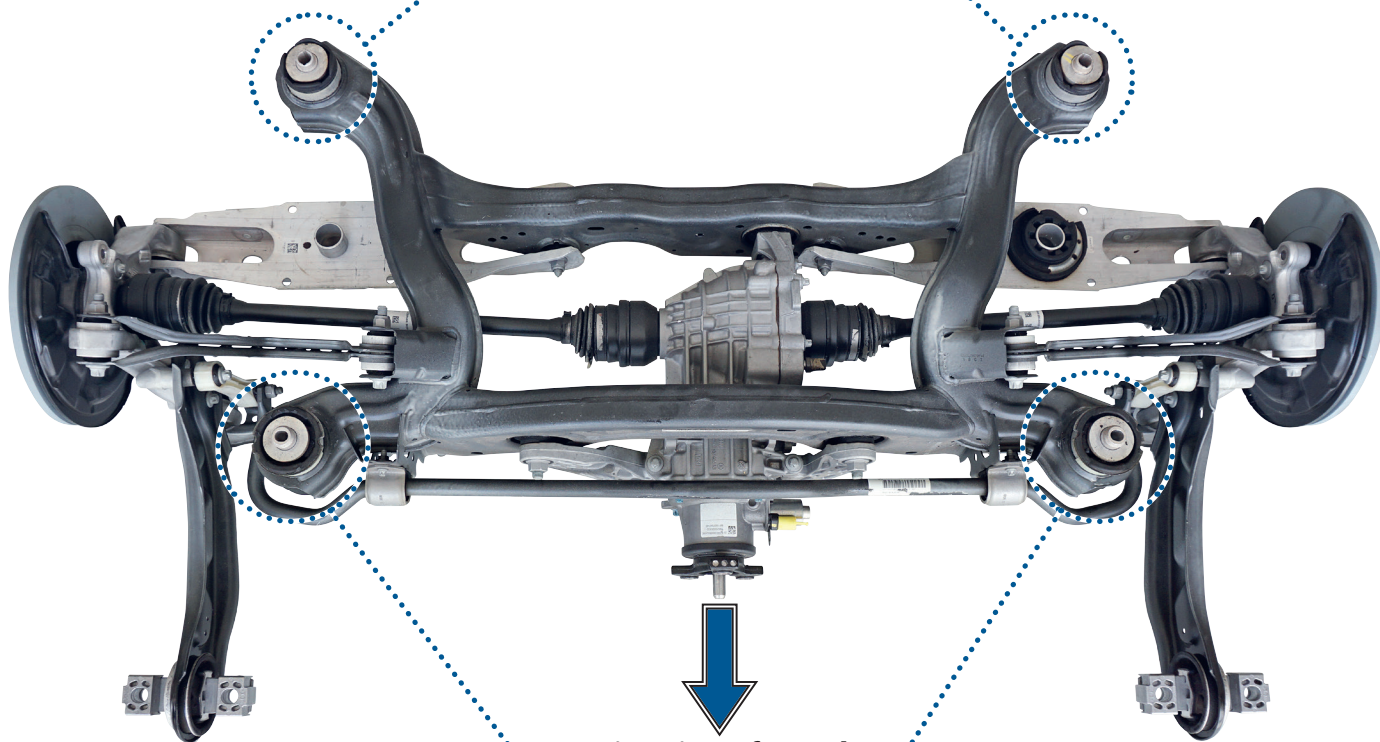
3.4 Rear axle carrier silent block overview

This overview shows the silent blocks on the rear axle carrier (subframe).
Depending on the silent block (**A** or **B**), observe the corresponding application example in **chapter 4**.

02

Silent block A

Rear/upper silent block on the rear axle carrier



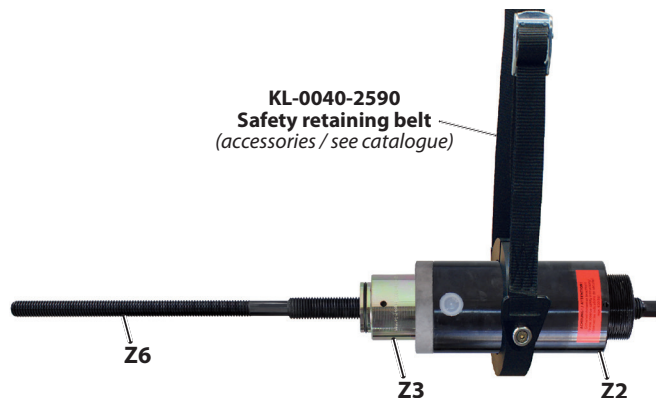
Direction of travel



Silent block B

Front/upper silent block on the rear axle carrier

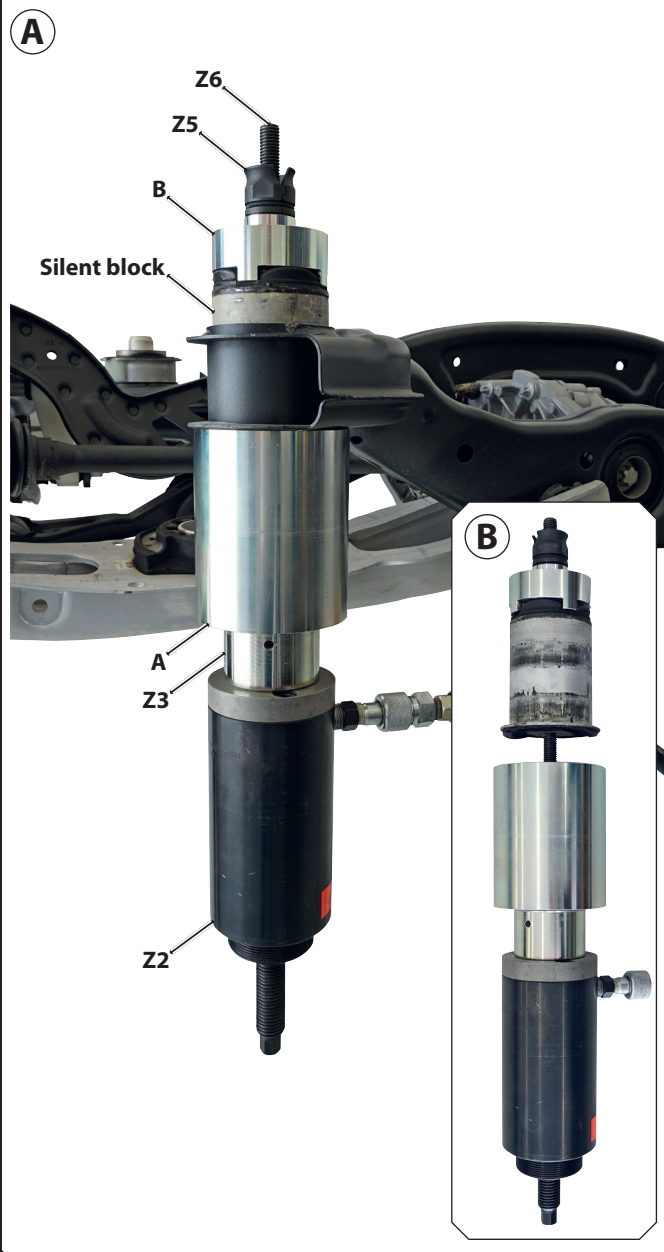
📷 3: Preparing the hydraulic cylinder [Z2].



3.5 Preparing the tool

- 1) Prepare the hydraulic cylinder [Z2] for the further work as shown in **📷 3**.
- ⓘ The GEDORE safety harness - **KL-0040-2590** which is available as an *accessory*, or the mounting device - **KL-0040-258 A** make it possible to secure the wheel bearing tool against dropping.

📷 4: Fix the silent block tool to the silent block **A** (rear/upper).



4. TYPICAL APPLICATION

This typical application describes the **hydraulic** removal and insertion of the four upper silent blocks on the rear axle carrier (subframe) directly on the vehicle. Pressing out and in **mechanically** basically uses the same principle.

4.1 Removing silent block A (upper/rear)

CAUTION

The silent block tool and the rear axle carrier can be damaged.

- Make sure the thrust piece **[B]** lies flat against the silent block and the support sleeve **[A]** rests fully on the rear axle carrier so that the silent bearing can be pressed out without colliding!

1. Place the silent block tool to the upper/rear silent block as shown in **📷 4A+B**.

Screw the clamping nut **[Z5]** onto the pull spindle **[Z6]** until the silent bearing tool is fully and properly in contact with the rear axle carrier and the silent block.

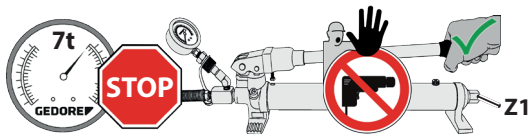
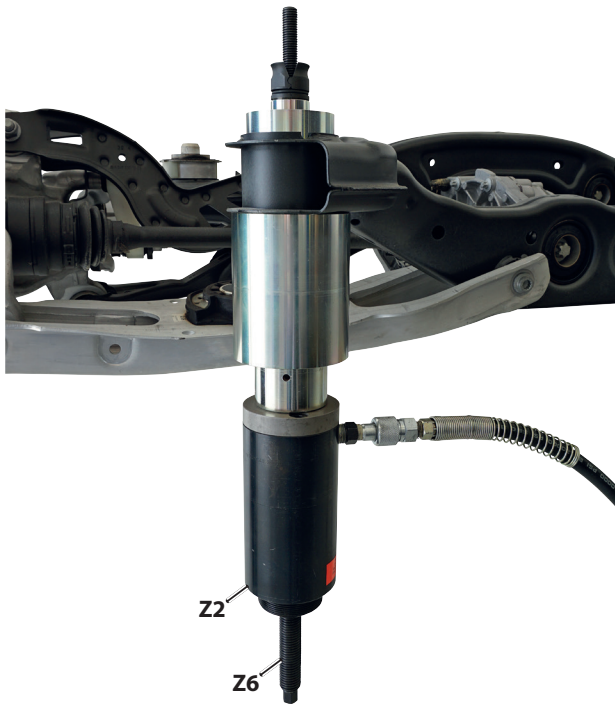
⚠ WARNING

There is the risk of the silent block tool breaking when a machine-operated drive is used. Parts flinging around can cause **DEATH** or **SEVERE INJURIES**.

- Use the silent block tool **exclusively** with a manual drive or a manually operated **GEDORE** Automotive hydraulic cylinder / pump combination with a pressure gauge for reliable pressure control!

2. Connect the hydraulic pump **[Z1]** with the hydraulic cylinder **[Z2]**.

📷5: Press out the silent block A at the rear axle carrier.



⚠️WARNING

There is a risk of the silent block tool dropping when the silent block is removed. This can cause **SEVERE INJURIES!**

- **Be sure to** secure the silent block tool on the axle against falling down, for example using the **GEDORE** safety harness - **KL-0040-2590**, or the mounting device - **KL-0040-258 A**

⚠️WARNING

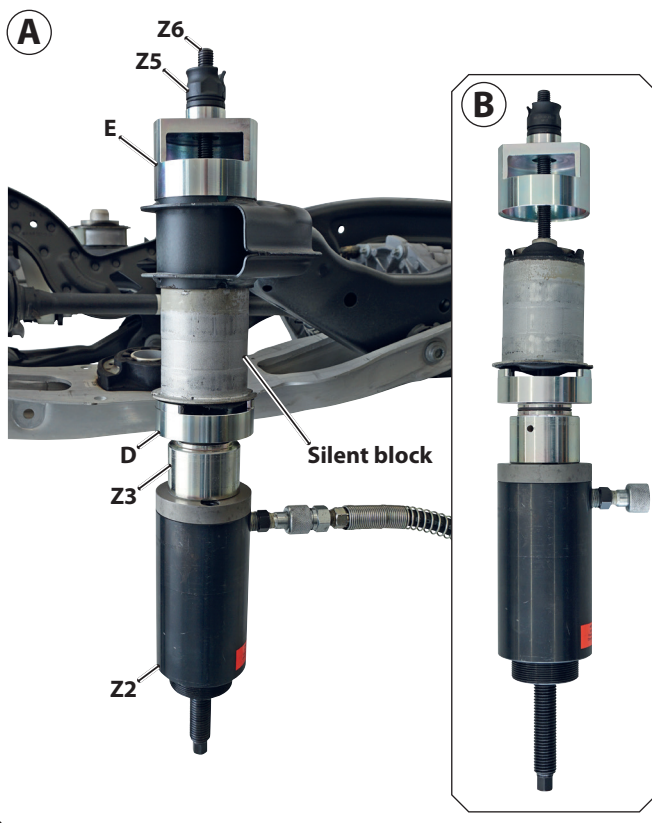
When forcing off the silent block, there is a risk of the pull spindle breaking and parts flinging around. This can cause **DEATH** or **SEVERE INJURIES**.

- **Never** exceed the **maximum load** of the silent block tool of **7t!**
- **Constantly** watch the pressure on the pressure gauge of the hydraulic pump [**Z1**] while you are forcing out.
- While forcing out, **never** stand in the axial extension of the pull spindle [**Z6**].

3. While operating the hydraulic pump [**Z1**], watch the pressure on the pressure gauge, and force the silent block out of the rear axle carrier. 📷5

- ⓘ The maximum stroke of the hydraulic cylinder [**Z2**] is 50mm! As soon as this value is reached: Interrupt the forcing process, relieve the pressure at the hydraulic pump [**Z1**], re-tighten the clamping nut [**Z5**] until it is fully applied, and continue the forcing process.

📷6: Applying the silent block tool to the rear axle carrier.



4.2 Installing silent block **A** (upper/rear)

CAUTION

The silent block tool and the rear axle carrier can be damaged.

- Make sure the thrust piece [**D**] lies flat against the silent block and the support sleeve [**E**] rests fully on the rear axle carrier so that the silent bearing can be pressed in without colliding!

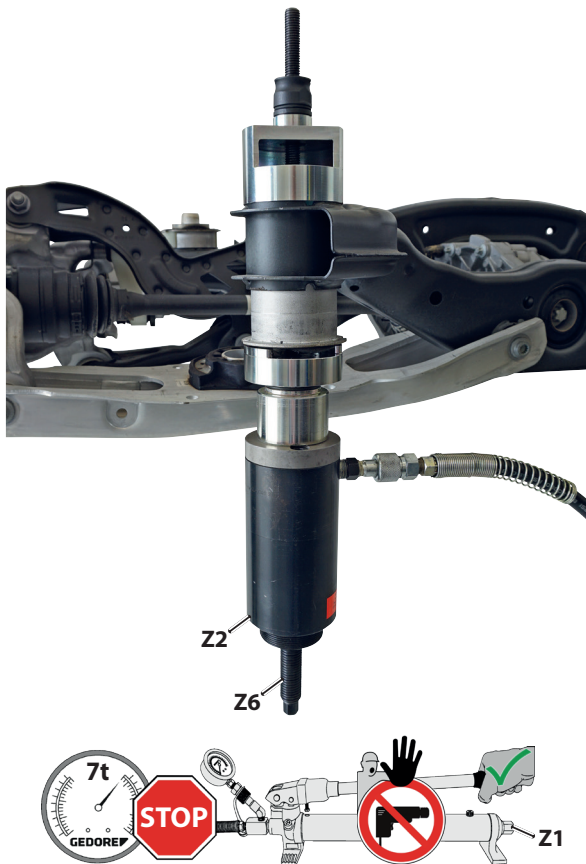
- **Be sure** to observe the installation position of the silent block according to the manufacturer's specifications.

1. Place the silent block tool together with the new silent block **A** on the axle carrier in upper/rear position as shown in 📷6A+B .

- Screw the clamping nut [**Z5**] onto the pull spindle [**Z6**] until the silent block tool with the new silent block is fully and properly in contact with the rear axle carrier.

- ⓘ It is **essential to** align the silent block in accordance with the manufacturer's specifications before pressing it in!

📷7: Press in the silent block **A** at the rear axle carrier.



CAUTION

The silent block tool and the rear axle carrier can be damaged.

- **Be sure** to observe the installation position of the silent block according to the manufacturer's specifications.

⚠WARNING

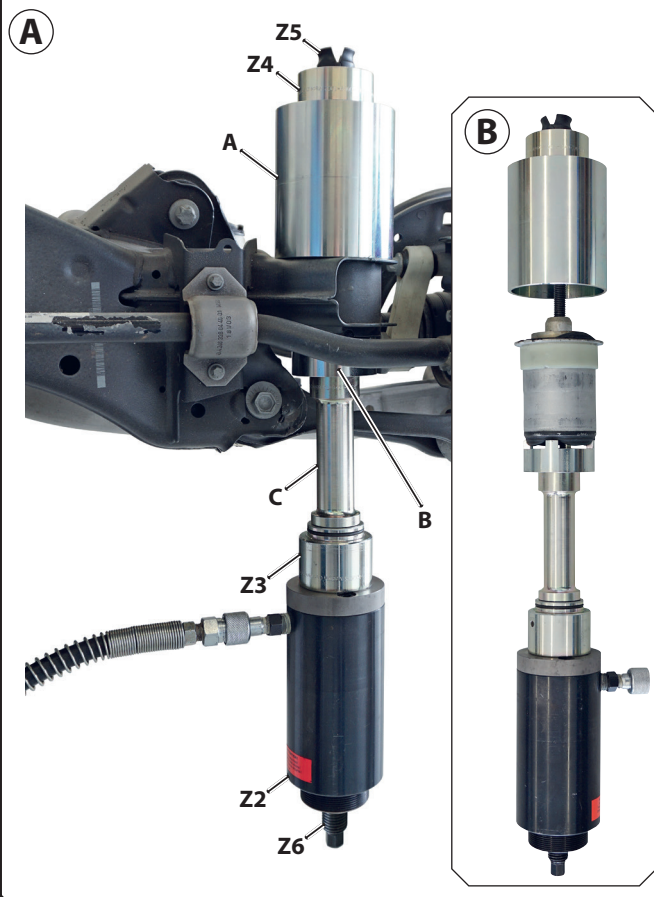
When inserting the silent block, there is a risk of the pull spindle breaking and parts flinging around. This can cause **DEATH** or **SEVERE INJURIES**.

- **Never** exceed the **maximum load** of the silent block tool of **7t!**
- **Constantly** watch the pressure on the pressure gauge of the hydraulic pump [Z1] while you are forcing in.
- While forcing in, **never** stand in the axial extension of the pull spindle [Z6].

2. Operate the hydraulic pump [Z1], watch the pressure on the pressure gauge, and install the silent block into the rear axle carrier according to the manufacturer's specifications. 📷7

- ⓘ The maximum stroke of the hydraulic cylinder [Z2] is 50mm! As soon as this value is reached: Interrupt the forcing process, relieve the pressure at the hydraulic pump [Z1], re-tighten the clamping nut [Z5] until it is fully applied, and continue the forcing process.

📷8: Fix the silent block tool to the silent block **B** (upper/front).



4.3 Removing the silent block B (upper/front)

CAUTION

The silent block tool and the rear axle carrier can be damaged.

- **Make sure** the thrust piece [B] lies flat against the silent block and the support sleeve [A] rests fully on the rear axle carrier so that the silent bearing can be pressed out without colliding!

1. Place the silent block tool to the upper/front silent block as shown in 📷8A+B.

- Screw the clamping nut [Z5] onto the pull spindle [Z6] until the silent bearing tool is fully and properly in contact with the rear axle carrier and the silent block.

⚠WARNING

There is the risk of the silent block tool breaking when a machine-operated drive is used. Parts flinging around can cause **DEATH** or **SEVERE INJURIES**.

- Use the silent block tool **exclusively** with a manual drive or a manually operated **GEDORE** Automotive hydraulic cylinder / pump combination with a pressure gauge for reliable pressure control!

2. Connect the hydraulic pump [Z1] with the hydraulic cylinder [Z2].

📸9: Pressing out the silent block **B** at the rear axle carrier.



⚠️WARNING

There is a risk of the silent block tool dropping when the silent block is removed. This can cause **SEVERE INJURIES!**

- **Be sure to** secure the silent block tool on the axle against falling down, for example using the **GEDORE** safety harness - **KL-0040-2590**, or the mounting device - **KL-0040-258 A**

⚠️WARNING

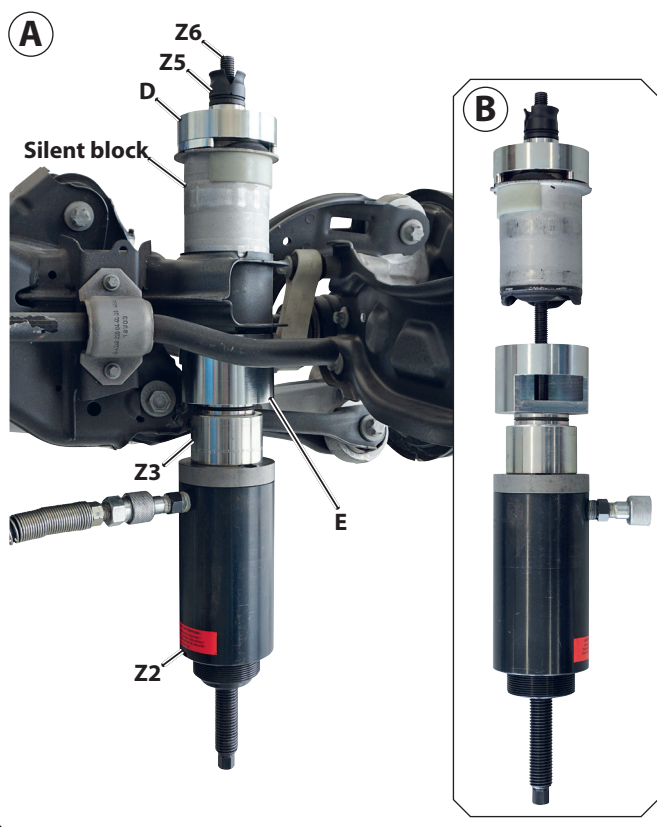
When forcing off the silent block, there is a risk of the pull spindle breaking and parts flinging around. This can cause **DEATH** or **SEVERE INJURIES**.

- **Never** exceed the **maximum load** of the silent block tool of **7t!**
- **Constantly** watch the pressure on the pressure gauge of the hydraulic pump [**Z1**] while you are forcing out.
- While forcing out, **never** stand in the axial extension of the pull spindle [**Z6**].

3. While operating the hydraulic pump [**Z1**], watch the pressure on the pressure gauge, and force the silent block out of the rear axle carrier. 📸9

- ⓘ The maximum stroke of the hydraulic cylinder [**Z2**] is 50mm! As soon as this value is reached: Interrupt the forcing process, relieve the pressure at the hydraulic pump [**Z1**], re-tighten the clamping nut [**Z5**] until it is fully applied, and continue the forcing process.

📸10: Applying the silent block tool to the rear axle carrier.



4.4 Installing the silent block **B** (upper/front)

⚠️CAUTION

The silent block tool and the rear axle carrier can be damaged.

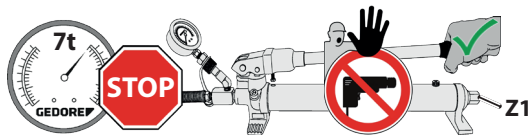
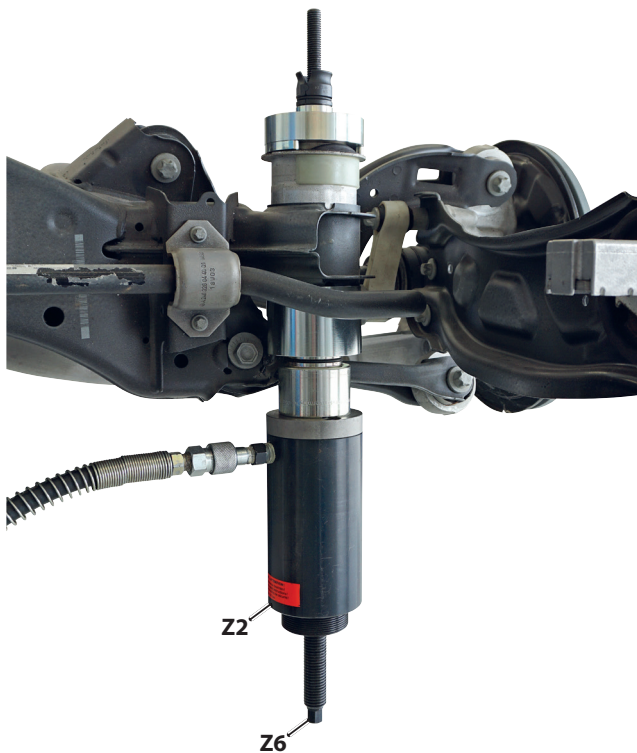
- **Make sure** the thrust piece [**D**] lies flat against the silent block and the support sleeve [**E**] rests fully on the rear axle carrier so that the silent bearing can be pressed in without colliding!
- **Be sure** to observe the installation position of the silent block according to the manufacturer's specifications.

1. Place the silent block tool together with the new silent block **A** on the axle carrier in upper/front position as shown in 📸10A+B.

Screw the clamping nut [**Z5**] onto the pull spindle [**Z6**] until the silent block tool with the new silent block is fully and properly in contact with the rear axle carrier.

- ⓘ **It is essential to** align the silent block in accordance with the manufacturer's specifications before pressing it in!

📷 11: Pressing in the silent block **B** at the rear axle carrier.



CAUTION

The silent block tool and the rear axle carrier can be damaged.

- ▶ **Be sure** to observe the installation position of the silent block according to the manufacturer's specifications.

⚠ WARNING

When inserting the silent block, there is a risk of the pull spindle breaking and parts flinging around. This can cause **DEATH** or **SEVERE INJURIES**.

- ▶ **Never** exceed the **maximum load** of the silent block tool of **7t!**
- ▶ **Constantly** watch the pressure on the pressure gauge of the hydraulic pump [Z1] while you are forcing in.
- ▶ While forcing in, **never** stand in the axial extension of the pull spindle [Z6].

2. Operate the hydraulic pump [Z1], watch the pressure on the pressure gauge, and install the silent block into the rear axle carrier according to the manufacturer's specifications.

📷 11

- ① The maximum stroke of the hydraulic cylinder [Z2] is 50mm! As soon as this value is reached: Interrupt the forcing process, relieve the pressure at the hydraulic pump [Z1], re-tighten the clamping nut [Z5] until it is fully applied, and continue the forcing process.

3) Remove the silent block tool and carry out the further work in accordance with the manufacturer's instructions.

5. CARE AND STORAGE

ATTENTION

Improper care and storage can damage the silent block tool. **Never** immerse the silent block tool in water, solvents, or other cleaning liquids. After use, clean all parts **only** with a dry and clean cleaning cloth. To protect against corrosion, rub all metal parts with a tool care oil or wax. Store the silent block tool and the operating instructions at a dry and clean place.

6. REPAIR

⚠ WARNING

For safety reasons, ensure that a damaged silent block tool is no longer used! Professional inspection and repair may only be carried out by specially trained specialist personnel from **GEDORE Automotive GmbH**. Improper repair can result in **DEATH** or **SEVERE INJURIES**.

7. ENVIRONMENTALLY COMPLIANT DISPOSAL

Dispose of the silent block tool and its packaging material in an environmentally compatible way in accordance with the legal requirements. If necessary, ask your local authorities about environmentally friendly disposal options.

GEDORE-Werkzeugfabrik GmbH & Co. KG

Remscheider Straße 149
42899 - Remscheid
Postfach 120361
47873 Remscheid
GERMANY

Vertrieb DEUTSCHLAND

☎ +49 (0) 2191 / 596-0
☎ +49 (0) 2191 / 596-230
✉ info@gedore.com
🌐 www.gedore.com

Sales INTERNATIONAL

☎ +49 (0) 2191 / 596-910
☎ +49 (0) 2191 / 596-911
✉ info@gedore.com
🌐 www.gedore.com

GEDORE TOOLS, INC.

Only for USA, Canada & Mexico
Sólo para EE.UU., Canadá y México
Seulement pour les USA, le Canada et le Mexique
7187 Bryhawke Circle, Suite 700, North Charleston, SC 29418, USA

☎ +1-843 / 225 50 15
☎ +1-843 / 225 50 20
✉ info@gedoretools.com
🌐 www.gedoretools.com

Worldwide GEDORE service centers and offices are listed on the Internet at: www.gedore.com

GEDORE Automotive GmbH

Breslauer Straße 41
78166 - Donaueschingen
Postfach 1329
78154 Donaueschingen
GERMANY

Vertrieb DEUTSCHLAND

☎ +49 (0) 771 / 8 32 23-0
☎ +49 (0) 771 / 8 32 23-90
✉ info.gam@gedore.com
🌐 gedore-automotive.com



www.gedore-automotive.com