



03/2019

## Sets of Adjustable Reamers



KL-0369-25 KA  
KL-0369-25.. A  
KL-0369-26.. A  
KL-0369-27.. A  
KL-0369-28.. A  
KL-0369-29.. A

EN

[www.gedore-automotive.com](http://www.gedore-automotive.com)

### GEDORE Automotive GmbH

Breslauer Straße 41  
78166 Donaueschingen  
Postfach 1329  
DE-78166 Donaueschingen, Germany

T +49 (0) 771 / 8 32 23-0  
F +49 (0) 771 / 8 32 23-90  
info.gam@gedore.com  
www.gedore-automotive.com

### GEDORE TOOLS, INC.

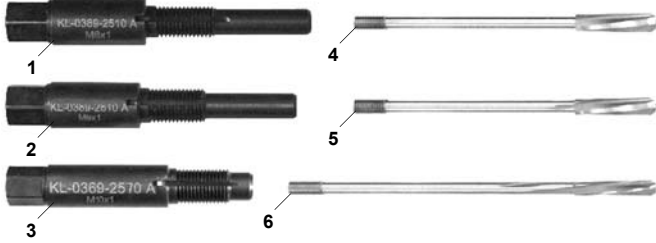
Only for USA, Canada & Mexico  
Sólo para EE.UU., Canadá y México  
Seulement pour les USA, le Canada et le Mexique

7187 Bryhawke Circle, Suite 700  
North Charleston, SC 29418, USA  
Phone +1-843 / 225 50 15  
Fax +1-843 / 225 50 20  
info@gedoretools.com

### GEDORE WELTWEIT / GEDORE WORLDWIDE

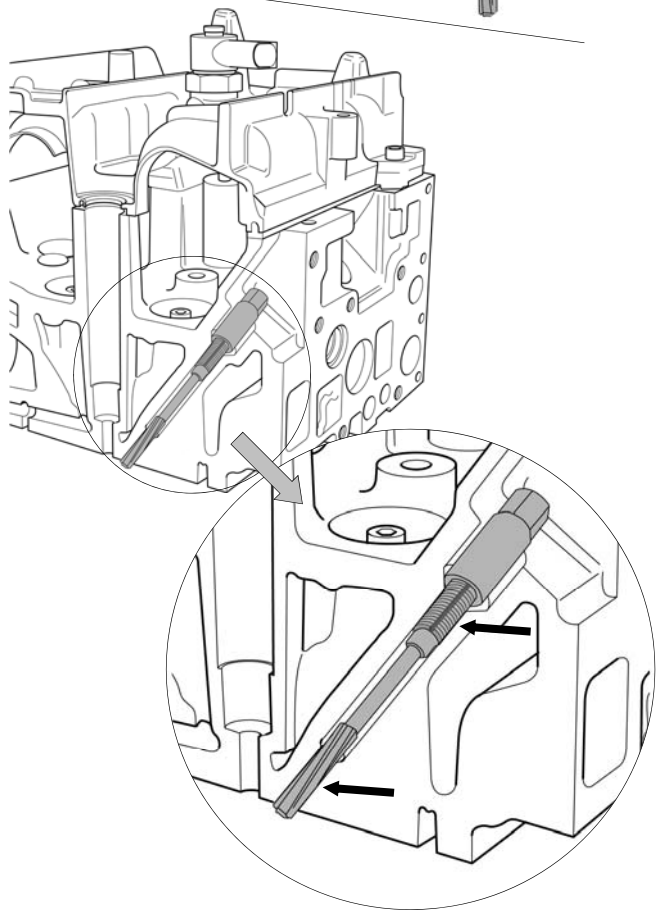
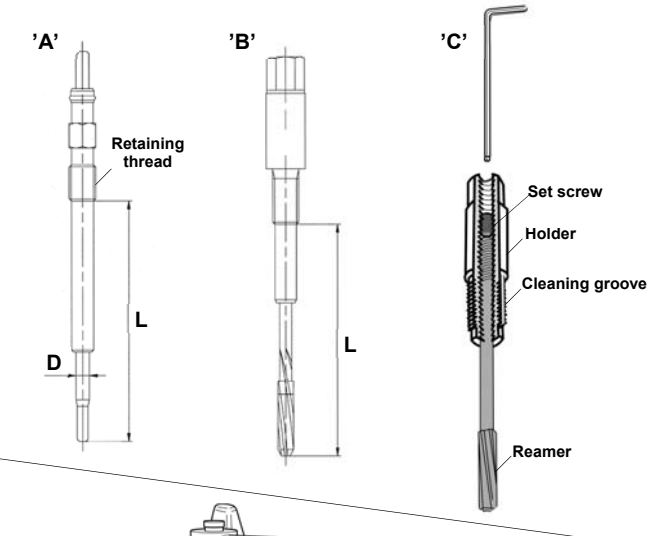
Weltweite GEDORE Servicestellen / Niederlassungen finden Sie im Internet unter: [www.gedore.com](http://www.gedore.com)  
Worldwide GEDORE service centers / offices are listed on the Internet at: [www.gedore.com](http://www.gedore.com)

## KL-0369-25 KA



**NOTE:**  
The KL-0369-25 KA reamer set is supplied in a plastic storage case.

### Correct Use:



## KL-0369-25 KA Reamer Set (adjustable)

Universally suitable for use on Diesel engines with either an M8x1, M9x1 or M10x1 glow plug thread.

### Field of Application

The set of adjustable reamers is designed to clean out glow plug apertures and glow plug retaining threads.

Thanks to the possibility to combine the different holders (glow plug retaining thread) with the necessary reamers (glow plug aperture  $\emptyset$ ), and to precisely adjust the length of the reamers as needed, this tool set is virtually universal in its field of application since the reamers can be accurately adapted to suit the respective engine type.

The special design of the tool and the cleaning groove in the holder allow carbon deposits to be removed from glow plug retaining threads and glow plug apertures carefully and effectively.

### Scope of Delivery

Pos.	Part No.	Description	Qty
-	KL-0369-25 KA	Reamer Set (adjustable) for Glow Plug Aperture	1
composed of:			
1	KL-0369-2510 A	Holder, M8x1, with Set Screw	1
2	KL-0369-2610 A	Holder, M9x1, with Set Screw	1
3	KL-0369-2710 A	Holder, M10x1, with Set Screw	1
4	KL-0369-2732 A	Reamer, $\emptyset$ 5.8mm (Suitable for glow plug $\emptyset$ D = $\emptyset$ 5.0mm)	1
5	KL-0369-2522 A	Reamer, $\emptyset$ 5.2mm (Suitable for glow plug $\emptyset$ D = $\emptyset$ 4.4mm)	1
6	KL-0369-2512 A	Reamer, $\emptyset$ 4.8mm (Suitable for glow plug $\emptyset$ D = $\emptyset$ 4.0mm)	1
-	KL-0369-2590	Plastic Storage Case	1

### Technical Data

Weight..... 400g

### ⚠ Warnings and Notes

- Any work on vehicles should only be performed by qualified specialist personnel observing and complying with the directions, provisions, and safety regulations specified by the vehicle manufacturer!
- Always refer to the vehicle manufacturer's data and instructions as only these apply to all work that is carried out on the vehicle.
- All vehicle-specific data stated herein are supplied under reserve and without commitment.

### Correct Use

#### Determination/Assembly of the Reamer and Cleaning out the Glow Plug Aperture/Retaining Bore:

1. Measure glow plug retaining bore thread (**Fig. A**) and choose holder '1', '2' or '3' as appropriate.
2. Measure glow plug  $\emptyset$  'D' (**Fig. A**) and choose reamer '4', '5' or '6' as appropriate.
3. Measure length 'L' on glow plug (**Fig. A**). Screw reamer into holder until identified length 'L' (**Fig. B**) has been reached.

4. Secure reamer with set screw (**Fig. 'C'**).

**NOTE:** In order to prevent impurities from entering the combustion chamber, it is helpful to fill the flutes of the reamer with grease or inject compressed air into the combustion chamber via the injector nozzle bore. (Always wear safety goggles!)

5. Screw reamer into cylinder head and clean out glow plug aperture/retaining bore.

## KL-0369-251 A



## KL-0369-252 A



## KL-0369-261 A



## KL-0369-271 A



## KL-0369-272 A



## KL-0369-273 A



## Combination Possibilities of the KL-0369-25 KA

### KL-0369-251 A Reamer (adjustable), Ø 4.8mm, M8x1

Applicable to the following Diesel engines: Fiat, Alfa Romeo, Lancia 2.3 JTD (F1AE0481C), 1.3 D / JTD (188A9.000,169 A1.000, 188 A8.000, 188 A9.000, 199 A2.000, 199 A3.000, 199 A9.000, 199 B1.000, 199 B4.000, 223 A9.000, 263 A2.000); Opel/Vauxhall 1.3 (Z13DT,A13DTC, D13A, Y13DT, Z13DT, Z13DTH, Z13DTJ); Mercedes (OM642, OM640); Smart (OM639); Ford 1.3 TDCi (FD4); Volvo 2.4D (D 5244 T2); VW AG 2.0 TDI (AZV, BKD, BDJ); PSA 2.7 HDI (DT 17) and Suzuki 1.3 DDiS (Z13DT, D13A, Z13DTJ).

Part No.	Description	Qty
KL-0369-2510 A	Holder, M8x1, with Set Screw	1
KL-0369-2512 A	Reamer, Ø 4.8mm (for glow plug Ø 'D'= Ø 4.0mm)	1

Length 'L': ..... 70mm to 108mm

### KL-0369-252 A Reamer, Ø 5.2mm, M8x1, adjustable

Applicable to the following Diesel engines: PSA 1.4 HDI (DV4), PSA 1.6 HDI (DV6), PSA 2.2 HDI (DW12), Ford 1.6 (F6J).

Part No.	Description	Qty
KL-0369-2510 A	Holder, M8x1, with Set Screw	1
KL-0369-2522 A	Reamer, Ø 5.2mm (for glow plug Ø 'D'= Ø 4.4mm)	1

Length 'L': ..... 50mm to 83mm

### KL-0369-261 A Reamer (adjustable), Ø 4.8mm, M9x1

Applicable to the following Diesel engines: Alfa Romeo, Fiat, Lancia, Opel/Vauxhall, Saab 1.6, 1.9, 2.0 and 2.4.

(Engine codes: 192 A5.000, 198 A2.000, 198 A3.000, 198 A5.000, 198 A6.000, 198 A8.000, 250 A1.000, 263 A1.000, 263 A3.000, 263 A4.000, 350 A2.000, 350 A2.000, 350 A3.000, 841 G.000, 841 H.000, 844 A1.000, 844 A2.000, 844 A2.000, 937 A5.000, 939 A2.000, 939 A3.000, 939 A8.000, 939 B3.000, 939 B4.000, 939 B5.000, 940 A3.000, 940 A4.000, 940 A5.000, 955 A3.000, 955 A4.000, A16FD, A16FDH, A16FDL, A19DTR, A20ATJ, A20DT, A20DTC, A20DTH, A20DTL, A20DTR, D20AA, Y20DTJ, Z19DTH, Z19DTR, Z20DTJ)

Part No.	Description	Qty
KL-0369-2610 A	Holder, M9x1, with Set Screw	1
KL-0369-2512 A	Reamer, Ø 4.8mm (for glow plug Ø 'D'= Ø 4.0mm)	1

Length 'L': ..... 70mm to 108mm

### KL-0369-271 A Reamer (adjustable), Ø 4.8mm, M10x1

Applicable to the following Diesel engines: VW-Audi 2.7 TDI V6 (BPP, BSG), 3.0 TDI V6 (BKN, BKS, BMK, BNG, BUN, BUG).

Part No.	Description	Qty
KL-0369-2710 A	Holder, M10x1, with Set Screw	1
KL-0369-2512 A	Reamer, Ø 4.8mm (for glow plug Ø 'D'= Ø 4.0mm)	1

Length 'L': ..... 60mm to 105mm

### KL-0369-272 A Reamer (adjustable), Ø 5.2mm, M10x1

Applicable to the following Diesel engines: PSA 2.0 HDI (DW10 [110 bhp, 135 bhp]).

Part No.	Description	Qty
KL-0369-2710 A	Holder, M10x1, with Set Screw	1
KL-0369-2522 A	Reamer, Ø 5.2mm (for glow plug Ø 'D'= Ø 4.4mm)	1

Length 'L': ..... 41mm to 83mm

### KL-0369-273 A Reamer (adjustable), Ø 5.8mm, M10x1

Applicable to the following Diesel engines: VW-Audi 2.5 TDI V6 (AKE, AKN, AYM, BAU, BCZ, BDG, BDH, BFC, AFB), 3.0 TDI V6 (ASB); Mercedes CDI (OM611, OM612, OM613, OM646, OM647, OM648, OM668), Alfa Romeo, BMW, Fiat, Lancia 1.9 JTD (182B4.000), 2.4 JTD (839A5.000).

Part No.	Description	Qty
KL-0369-2710 A	Holder, M10x1, with Set Screw	1
KL-0369-2732 A	Reamer, Ø 5.8mm (for glow plug Ø 'D'= Ø 5.0mm)	1

Length 'L': ..... 40mm to 85mm

## Upgrade Kits for KL-0369-25 KA

KL-0369-274 A



KL-0369-275 A



KL-0369-281 A



KL-0369-291 A



## Upgrade Kit for KL-0369-25 KA

### KL-0369-274 A Reamer (adjustable), Ø 5.8mm, M10x1

Applicable to the following Diesel engines: Alfa Romeo, Fiat, Lancia 1.9 JTD (AR32302, AR37101, 182B9.000, 186A6.000, 186A8.000, 186A9.000, 188A2.000, 188B2.000, 182B4.000, 192A3.000, 192A9.000, 192A1.000, 223A7.000, 937A2.000, 937A7.000, 939A1.000, 939A7.000) und 2.4 JTD (AR32501, 185A6.000, 838A8.000, 839A5.000, 839A6.000, 841C.000, 841G.000); Opel/Vauxhall 1.9 CDTi (Z19DT).

Part No.	Description	Qty
KL-0369-2740 A	Holder, M10x1, with Set Screw	1
KL-0369-2732 A	Reamer, Ø 5.8mm (for glow plug Ø 'D'= Ø 5.0mm)	1

Length 'L': ..... 40mm to 85mm

### KL-0369-275 A Reamer (adjustable), Ø 4.9mm, M10x1

Applicable to VW-Audi 1.6 and 2.0 (EA 288) Common-Rail Diesel engines with combustion chamber pressure sender at No. 3 cylinder; as fitted to VW Arteon (3H), Crafter (7C), Golf VII (AM, 5G), Passat (3G), Tiguan (AD, BW), Touran (5T), T6 (SF, SG); Audi A3 (8V), A4 (B9), Q2 (GA); Seat Leon (5F); Skoda Kodiaq (NS), Oktavia (5E), Suberb III (3V). Engine codes: CLHC, CRGA, CRLB, CRLD, CUAU, CUPA, CXEB, CXFA, CXGA, CXGB, CXGC, CXHA, CXHB, DBGA, DBGB, DBKA, DCXA, DCZA, DDAA, DFCA, DFEA, DFEB, DFGA, DFHA

Part No.	Description	Qty
KL-0369-2710 A	Holder, M10x1, with Set Screw	1
KL-0369-2752 A	Reamer, Ø 4.9mm (for glow plug Ø 'D'= Ø 4.0mm)	1

Length 'L': ..... 60mm to 105mm

### KL-0369-281 A Reamer (adjustable), Ø 5.8mm, M10x1.25

Applicable to the following Diesel engines: Opel/Vauxhall (4EE-2, A17DTJ, A17DTC, A17DTE, A17DTS, Y17DT, Y17DTL, Z17DTL, Y30DT, Z30DT); Ford (WL, WL-T); Honda (D4FA); Hyundai (D4FA); Kia (R2); Mini (1ND); Mazda (RF46, RF-N, RF-CX, RF OHC, MD25TI); Nissan (CD23, LD23, TD27T); Toyota (1ND, 1ND-TV)

Part No.	Description	Qty
KL-0369-2810 A	Holder, M8x1, with Set Screw	1
KL-0369-2732 A	Reamer, Ø 5.8mm (for glow plug Ø 'D'= Ø 5.0mm)	1

Length 'L': ..... 40mm to 85mm

### KL-0369-291 A Reamer (adjustable), Ø 5.8mm; M12x1.25

Applicable to the following Diesel engines: Opel/Vauxhall 2.5 D / 2.5 TD (8140.27.2500; 8140.27.2510; S9U 714; S84 770; 8140.67.2500; 8140.67.2550; 8140.67.2580; S8U 750; S8U 758; S8U 752; S8U 770; S8U 780; S8U 782) and Renault 1.9 D (F8Q 620; F8Q 624; F8Q 640; F8Q 682).

Part No.	Description	Qty
KL-0369-2910 A	Holder, M8x1, with Set Screw	1
KL-0369-2732 A	Reamer, Ø 5.8mm (for glow plug Ø 'D'= Ø 5.0mm)	1

Length 'L': ..... 40mm to 85mm