

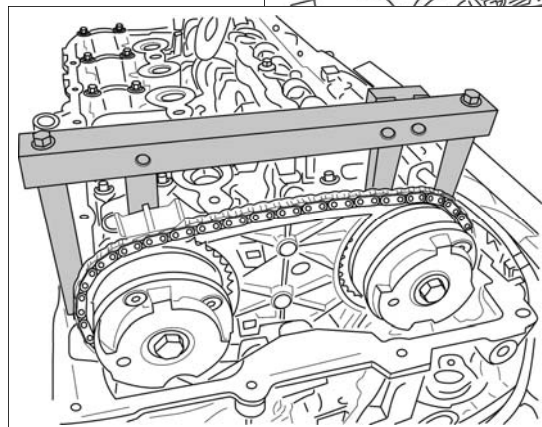
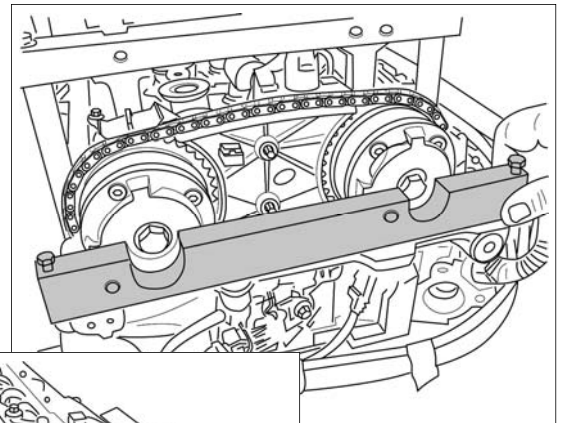
GEDORE

TOOLS FOR LIFE

Locking Tool Set, BMW N51, N52, N52K, N53, N54 and N55



KL-0580-45 KA



0580-45KAe170307.docx

GEDORE Automotive GmbH

Breslauer Straße 41
78166 Donaueschingen

Postfach 1329
78154 Donaueschingen - GERMANY

Phone.: +49 (0) 771 / 8 32 23-0
Fax: +49 (0) 771 / 8 32 23-90

Email: info@gedore-automotive.com
Internet: www.gedore-automotive.com

KL-0580-45 KA

BMW



KL-0580-45 KA Locking Tool Set, BMW

N51, N52, N52K, N53, N54 and N55

Applicable to BMW vehicles with either a 2.5, 3.0 or 3.5 port-injection or direct-injection petrol engine with VALVETRONIC (VANOS); such as 1 Series (E81 / E82 / E87); 3 Series (E90 / E91 / E92 / E93); 5 Series (E60 / E61); 6 Series (E63 / E64); 7 Series (E65 / E66); X3 (E83); X5 (E70); Z4 (E85 / E86).
(Engine codes: N51, N52, N52K, N53, N54, N55)

Field of Application

For the locking/positioning of camshafts and crankshaft, as well as for pre-tensioning the timing chain tensioner. The kit also includes all the necessary tools to adjust VANOS adjustment units.

An indispensable tool set when replacing a timing chain, removing and installing VANOS adjustment units or performing an engine repair.

Scope of Delivery: KL-0580-45 KA

Part No./Description	Qty	Image	Cross Reference OEM Tool No.
KL-0580-452 A Locking Tool for Camshafts For locking the camshafts. Note: Depending on the type of engine, the left locking plate KL-0580-4522 might need to be displaced to the adjacent bore. (see arrow in image)	1		11 4 280* ^A 11 4 281* ^A 11 4 282* ^A 11 4 283* ^A 11 4 285* ^A
KL-0580-451 A Locking Pin for Flywheel For locking the flywheel.	1		11 0 300* ^A
KL-0580-453 A Setting Gauge (Vanos), blue For locking the double VANOS adjustment unit.	1		11 4 290* ^A
KL-0580-454 A Setting Gauge (Vanos), red For locking the double VANOS adjustment unit.	1		11 8 520* ^A
KL-0580-8113 B - Pre-Tensioning Tool for Timing Chain For pre-tensioning the timing chain.	1		11 9 340* ^A 0197-M* ^A
KL-0580-4590 A Plastic Storage Case	1	Warnings and Notes	
		<ul style="list-style-type: none"> Do not attempt to start the engine whilst tools of the KL-0580-45 KA locking tool set are still mounted. All vehicle-specific data stated herein are supplied under reserve and without commitment. Any work on vehicles should only be performed by qualified specialist personnel observing and complying with the directions, provisions, and safety regulations specified by the vehicle manufacturer. Always refer to the vehicle manufacturer's data and instructions as only these apply to all work that is carried out on the vehicle. 	

*^A Alternative Tool