

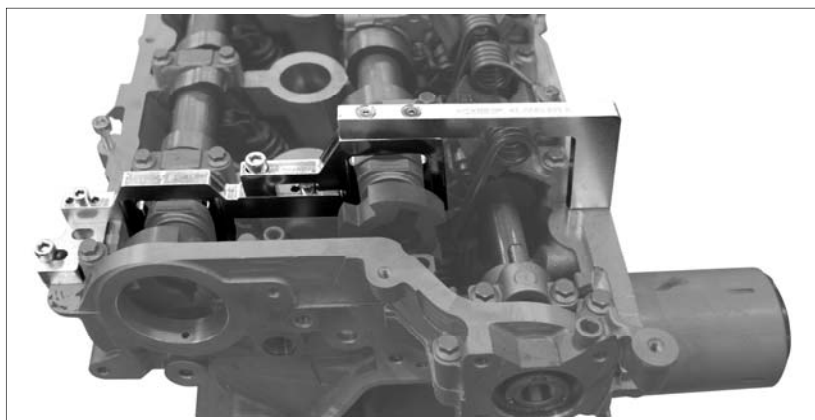
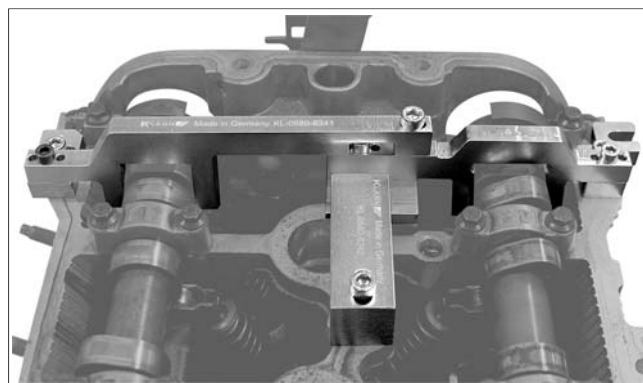
GEDORE

TOOLS FOR LIFE

Locking Tool Set, BMW 1.4 and 1.6 16V



KL-0580-83 KA



0580-83KAe140540.docx

GEDORE Automotive GmbH

Breslauer Straße 41
78166 Donaueschingen

Postfach 1329
78154 Donaueschingen - GERMANY

Phone.: +49 (0) 771 / 8 32 23-0
Fax: +49 (0) 771 / 8 32 23-90

Email: info@gedore-automotive.com
Internet: www.gedore-automotive.com

KL-0580-83 KA

Mini,
Citroën, Peugeot



KL-0580-83 KA Locking Tool Set, BMW 1.4 and 1.6 16V

Applicable to Mini 1.4 and 1.6 litre engines (Engine codes: N12, N14, N16) and PSA engines (Engine codes: EP3, EP3C, EP6, EP6C, EP6CDT, EP6DT, EP6DTE, EP6DTS) as installed in Mini Cooper (R55, R56), Mini Cooper S (R55, R56), Mini One (R56), Citroën C4, C4 Picasso, and Peugeot 207, 308.

Field of Application

For the locking and/or positioning of camshafts and crankshaft as well as for adjusting the VANOS adjustment units. The kit also includes a tool to pre-tension the timing chain tensioner.

An indispensable tool set when replacing timing chains, removing and installing VANOS adjustment units or performing engine repairs.

Scope of Delivery: KL-0580-83 KA

Part No./Description	Qty	Image	Cross Reference OEM Tool No.
KL-0580-831 A Locking Pin for Flywheel For locking the flywheel.	1		0197-B* ^A 0197-BZ* ^A 11 9 590* ^A
KL-0580-832 A Locking Tool for Camshaft For locking the exhaust camshaft.	1		0197-A1* ^A 0197-A* ^{1 / *A} 11 9 540* ^{2 / *A} 11 9 550* ^{3 / *A} 11 9 551* ^{4 / *A}
KL-0580-833 A Locking Tool for Camshaft For locking the inlet camshaft.	1		0197-A3* ^A 0197-A* ^{1 / *A} 11 9 540* ^{2 / *A}
KL-0580-834 A Locking Tool for Camshaft For locking the inlet camshaft.	1		0197-A2* ^A 0197-A* ^{1 / *A} 11 9 550* ^{3 / *A} 11 9 551* ^{4 / *A} 11 9 552* ^{5 / *A}
KL-0580-8113 B Pre-Tensioning Tool for Timing Chain For pre-tensioning the timing chain.	1		0197-M* ^A 11 9 340* ^A
KL-0580-8390 A Plastic Storage Case	1	Warnings and Notes	
		<ul style="list-style-type: none"> Do not attempt to start the engine whilst tools of the KL-0580-83 KA locking tool set are still mounted. All vehicle-specific data stated herein are supplied under reserve and without commitment. Any work on vehicles should only be performed by qualified specialist personnel observing and complying with the directions, provisions, and safety regulations specified by the vehicle manufacturer. Always refer to the vehicle manufacturer's data and instructions as only these apply to all work that is carried out on the vehicle. 	

*^A Alternative Tool

*² 11 9 540 (composed of: KL-0580-832 A / KL-0580-833 A)

*⁴ 11 9 551 (composed of: KL-0580-8341 and KL-0580-832 A)

*¹ 0197-A (composed of: KL-0580-832 A / KL-0580-833 A / KL-0580-834 A)

*³ 11 9 550 (composed of: KL-0580-832 A / KL-0580-834 A)

*⁵ 11 9 552 (composed of: KL-0580-8342)