

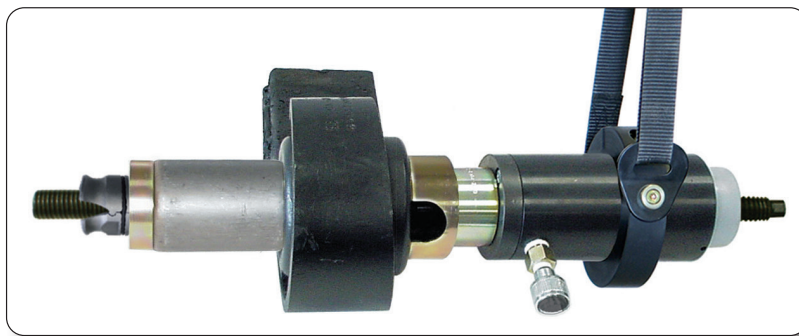


KL-1001-101 A

Sleeve set for commercial vehicle silent blocks
57 + 68mm Ø



Operating instructions EN
⚠ Read and understand before use!



www.gedore-automotive.com

GEDORE Automotive GmbH

Breslauer Straße 41
78166 - Donaueschingen
Postfach 1329
78154 Donaueschingen - GERMANY

☎ +49 (0) 771 / 8 32 23-0
☎ +49 (0) 771 / 8 32 23-90
✉ info.gam@gedore.com
🌐 gedore-automotive.com

GEDORE TOOLS, INC.

Only for USA, Canada & Mexico / Sólo para EE.UU., Canadá y México
Seulement pour les USA, le Canada et le Mexique
7187 Bryhawke Circle, Suite 700
North Charleston, SC 29418, USA

☎ +1-843 / 225 50 15
☎ +1-843 / 225 50 20
✉ info@gedoretools.com
🌐 gedore.com

Version 1 - 01/2021

1001-101A_EN201206.indd



ENGLISH

EN

EN

Manufacturer's address

GEDORE Automotive GmbH

Breslauer Straße 41 // 78166 Donaueschingen - GERMANY

Phone: +49 (0)771/83223-71 // E-Mail: info.gam@gedore.com

Imprint

In the course of improvement and adaptation to the state of the art, we reserve the right to make changes with regard to appearance, dimensions, weights and properties, and performance.

This does not imply any claim to correction or subsequent delivery of already delivered products. Deletions can be made at any time without any legal claim arising.

Instructions for use and safety are not binding. They never substitute for any legal or trade association regulations.

We do not accept any liability for printing errors.

Any reproduction, in whole or in part, requires the prior written consent of **GEDORE Automotive GmbH**.

All rights reserved worldwide. © Copyright by **GEDORE Automotive GmbH**, Donaueschingen (GERMANY)

We refer to our general terms and conditions which
can be found in the imprint at:

www.gedore-automotive.com



Contents

1. FOR YOUR SAFETY 4

1.1 Target group..... 4

1.2 Intended use 4

1.3 Reasonably foreseeable misuse 4

1.4 Personal protective equipment..... 4

1.5 Labelling of the warnings..... 5

1.6 Basic warnings 5

1.7 Basic safety instructions 6

1.8 Obligations of the owner 6

1.9 Work environment 7

1.10 Emissions 7

1.11 Maintenance 7

1.12 Troubleshooting..... 7

2. PRODUCT DESCRIPTION..... 8

2.1 KL-1001-101 A - Sleeve set for commercial vehicle silent blocks 57 + 68mm Ø 8

2.2 Scope of delivery / spare parts overview 8

2.3 Specifications..... 8

2.4 Accessories 9

3. PREPARATION 9

3.1 Checking the scope of delivery 9

3.2 Required drive parts 9

3.4 Preparing the tool..... 9

3.5 Preparing the vehicle 9

4. EXAMPLE OF USE 10

4.1 Removal of silent blocks 10

4.2 Installation of silent blocks 11

5. CARE AND STORAGE 11

6. MAINTENANCE AND REPAIR..... 11

7. ENVIRONMENTALLY FRIENDLY DISPOSAL..... 11

EN

1. FOR YOUR SAFETY

Read and understand these operating instructions **before** using the extraction device and observe all safety and warning instructions. Misuse can result in **DEATH** or **SEVERE INJURIES**!

These operating instructions are an integral part of the extraction device. Keep them at a safe place for future reference, and always pass them on to subsequent users of the extraction device.

The extraction device complies with the recognised rules of technology as well as the relevant safety regulations.

1.1 Target group


These operating instructions are **exclusively** intended for skilled personnel in specialised motor vehicle workshops.

The extraction device **may only be** used by skilled personnel in specialised motor vehicle workshops who are familiar with basic regulations on work safety and accident prevention.

- Never allow unauthorised, inexperienced persons, minors and children, or persons with limited physical, sensory, and mental abilities to use the extraction device.


1.2 Intended use

The extraction device ...

- may only** be used for removal and installation of closed silent blocks.
- may only** be used on silent blocks and vehicles as described in **Chapter 2. - Product description**.
- may only** be used to a **max. load of 17 tons**.
- may only** be used with a manually operated **GEDORE Automotive** hydraulic cylinder/pump combination with manometer for safe pressure control.
- may only** be used in the way described in these operating instructions!
-  Any other use can result in **DEATH** or **SEVERE INJURIES**!

1.3 Reasonably foreseeable misuse

The pulling device ...

- must never** be used with a machine-operated drive or a machine-operated hydraulic cylinder/pump combination!
- must never** be used for batch processing (numerous removal and installation processes within a few minutes)!
- must never** be used with a bridged, modified, or removed safety device!
- must never** be used without a securing device against falling!
- must never** be modified, converted, or used for other purposes without authorisation!
-  The extraction device **may only** be used in the way described in **Chapter 1.2 - Intended use**! Any other use can result in **DEATH** or **SEVERE INJURIES**!

1.4 Personal protective equipment

For your safety, **always** wear personal protective equipment when using the extraction device! The extraction device can bring about mechanical hazards, such as crushing, cutting, and shock injuries.



Always wear **EYE PROTECTION** (see DIN EN 166, OSHA 29 CFR 1910.133, ANSI Z87) when using the extraction device to protect yourself against flying parts or particles.

- When using the extraction device, flying parts or particles can cause **SEVERE INJURIES** to your **eyes**!



Always wear **PROTECTIVE GLOVES** (see DIN EN 388, OSHA 29 CFR 1910.138, ANSI 105) when using the extraction device to protect yourself against sharp edges and crushing between parts.

- When working with the extraction device, sharp edges and crushing between parts can cause **SEVERE INJURIES** to your **hands**!







Always wear **SAFETY SHOES** (see DIN EN ISO 20345, OSHA 29 CFR 1910.136, ANSI Z41) when using the support device to protect yourself against falling parts.

- When working with the extraction device, falling parts can cause **SEVERE INJURIES** to your **feet and toes**!

1.5 Labelling of the warnings

Warnings are used to warn of possible **dangers**.

Always read and observe these warnings to avoid **DEATH** or **INJURIES!**

For better differentiation, warnings in these operating instructions are classified as follows:	
Warning sign	Meaning
 WARNING	Indicates a hazardous situation which, if not avoided, could cause DEATH or SEVERE INJURIES .
 CAUTION	Indicates a hazardous situation which, if not avoided, could cause MODERATE or MINOR INJURIES .
 ATTENTION	Indicates a situation which, if not avoided, can cause damage to the tool or an object in its vicinity.
	Note on important information and useful tips.

EN

1.6 Basic warnings

WARNING - Danger to life from MISUSE

The extraction device can break if used incorrectly, thus flinging fragments and parts can lead to **DEATH** or **SERIOUS INJURIES!**

- ✔ Read and understand these operating instructions **before** using the extraction device and always observe **all** safety and warning instructions **when using the tool**.
- ✔ **Only** use the support device as described in these operating instructions.
- ✔ **Never** use the extraction device for batch processing (Numerous removal and installation processes within a few minutes)!
- ✔ **Never** beat the support device with a hammer or anything similar!
- ✔ **Always** wear your personal protective equipment (safety goggles, protective gloves, safety shoes) when working!

WARNING - Danger to life from OVERLOAD

The extraction device can break if used incorrectly, thus flinging fragments and parts can lead to **DEATH** or **SERIOUS INJURIES!**

- ✔ **Always** observe the **max. load** when using the extraction device, and **never** exceed it!
- ✔ **Never** use the extraction device with a machine-operated drive or a machine-operated hydraulic cylinder / pump combination!
- ✔ Use the extraction device **exclusively** with a manually operated **GEDORE Automotive** hydraulic cylinder / pump combination with a manometer for reliable pressure control!
- ✔ **Never** use the extraction device when it is damaged.
- ✔ **Always** wear your personal protective equipment (safety goggles, protective gloves, safety shoes) when working!

WARNING - Danger of injury from FALLING

The extraction device can fall down during preparation or use; falling parts can lead to **SEVERE INJURIES** of the feet!

- ✔ Avoid dropping the extraction device **at all times, especially** when it is under load!
- ✔ **Always** deposit the extraction device safely to prevent falling down, for example on a clean workbench!
- ✔ **Always** make sure that the extraction device is securely attached to the vehicle!
- ✔ **Always** secure the extraction device at the vehicle against falling, for example using the safety retaining belt - **KL-0040-2590** or the mounting device - **KL-0040-258 A!**
- ✔ **Never** leave the extraction device unattended on the vehicle!
- ✔ **Always** wear your personal protective equipment (safety goggles, protective gloves, safety shoes) when working!

ATTENTION - Risk of DAMAGE

The vehicle, the silent block, and the extraction device can be damaged.

- ✔ **Always** observe the vehicle-specific application procedures in the vehicle manufacturer's repair guide.
- ✔ **Always** observe the installation position of the silent block specified by the vehicle manufacturer!

1.7 Basic safety instructions

For your safety, **always** observe the following safety instructions and precautions when using the extraction device in order to avoid injuries and material damage as a consequence of misuse and unsafe handling.

- ✔ *Read and understand these operating instructions **before** using the extraction device and always observe **all** safety and warning instructions **when using the tool**.*
- ✔ **Always** observe the vehicle-specific application procedures in the vehicle manufacturer's repair guide.
- ✔ **Always** work on the vehicle in accordance with the basic regulations on work safety and accident prevention.
- ✔ In case of skin contact with hydraulic oil, clean the affected area immediately with fat-dissolving soap and water.
- ✔ **Never** use the extraction device when you are tired or under the influence of alcohol, drugs, or medication!
- ✔ Check the extraction device **before each use** for damage and loose parts.
- ✔ **Never** use the extraction device if it is damaged or has loose parts!
- ✔ Use **only genuine GEDORE Automotive** spare parts and accessories.
- ✔ Due to its high weight, **always** carry, lift, and position the extraction device with the help of a second skilled person.
- ✔ While working with the extraction device, make **absolutely** sure that **no** other persons are present in the direct working area.
- ✔ ***Always** observe the **max. load** when using the extraction device, and **never** exceed it!*
- ✔ **Always** keep hair, clothing, and gloves away from moving parts.
- ✔ **Never** use the extraction device with a machine-operated drive or a machine-operated hydraulic cylinder / pump combination!
- ✔ Use the extraction device **exclusively** with a manually operated **GEDORE Automotive** hydraulic cylinder / pump combination with a manometer for reliable pressure control!
- ✔ **Always** use the extraction device as intended; non-compliance will invalidate any warranty claim and may significantly reduce its durability.
- ✔ **Always** wear your personal protective equipment (safety goggles, protective gloves, safety shoes) when working.
- ✔ Interrupt your work **immediately** if you are unsure about using the extraction device, and contact **GEDORE Automotive GmbH if necessary!**

1.8 Obligations of the owner

The owner of the outrigger **must** ensure that **only** trained personnel in specialised vehicle workshops use the extraction device.

The owner of the extraction device **must** ensure that the operating instructions are available to the user and that the user has completely read and understood the operating instructions **before** using the extraction device.

The owner of the extraction device **must** ensure that personal protective equipment is available to the user of the extraction device.

The owner of the extraction device **must** ensure that the user of the extraction device is familiar with the basic regulations on work safety and accident prevention.

1.9 Work environment

For your safety, **only** use the extraction device in a safe working environment.

- ✔ The workplace **must** be clean and tidy.
- ✔ The workplace **must** be sufficiently large and illuminated.
- ✔ The workplace **must** be located on a solid and non-skidding floor.
- ✔ The workplace **must** be safeguarded against access of unauthorised persons.
- ✔ The workplace **must** have a room temperature between -10°C and +40°C.

1.10 Emissions

Hydraulic oil can drip when using the extraction device and thus pose a hazard to the environment.

- ✔ **Immediately** remove leaking hydraulic oil with the aid of oil binding agents or a rag, for example.
- ✔ Dispose of pollutants such as hydraulic oil in an **environmentally friendly** manner.
- ✔ Safety data sheets *according to the (EC) Ordinance No. 1907/2006*, about hydraulic oil (**HLP 32**) can be found on the Internet (**World Wide Web**).

1.11 Maintenance

Always carry out maintenance on the extraction device when it is depressurised/tension-free.

- ✔ **Before each use** of the extraction device, check the spindle for dirt and damage; clean it if necessary and lubricate it **exclusively** with molybdenum disulphide paste. (For example, **GEDORE Automotive** molybdenum disulphide paste - **KL-0014-0030**)

1.12 Troubleshooting

Always troubleshoot the extraction device when it is depressurised/tension-free.

Problem: Hydraulic oil escapes from the hydraulic coupling between hydraulic cylinder and hand pump.

Reason: Hydraulic coupling soiled or loose.

Remedy: Clean and retighten the hydraulic coupling. Top up lacking hydraulic oil (**HLP 32**) at the hand pump.

Problem: The hydraulic hand pump does not build up pressure or only very slowly.

Reason: The pressure release valve on the hydraulic hand pump is open or hydraulic oil is missing.

Remedy: Close the pressure release valve on the hydraulic pump completely. Top up lacking hydraulic oil (**HLP 32**) at the hydraulic hand pump.

2. PRODUCT DESCRIPTION

2.1 KL-1001-101 A - Sleeve set for commercial vehicle silent blocks 57 + 68 mm diameter

Suitable for silent blocks with bores of 57 + 68 mm diameter. Particularly suitable e.g. for parabolic control arms on ROR, SAF, Traylor trailers and semi-trailers, and BPW semi-trailers with ECO PLUS 2 axle and compressed-air suspension.

The sleeve set enables the quick and professional removal and installation of closed silent blocks, e.g. on parabolic control arms, stabilisers, thrust struts, leaf spring eyes, spring brackets, and other axle suspension parts.

Recommended accessories:

KL-1010-1205 - Thrust piece **59 mm diameter** (for BPW silent blocks with 60 mm bore diameter and M24 screw)

① Only in combination with the required drive parts, the sleeve set makes a extraction device for commercial vehicle silent blocks.

EN



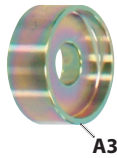
2.2 Scope of delivery / Overview of the single parts

Item	Part no.	Description	Qty.
A1	KL-1001-1003	Thrust piece 66mm Ø	1
A2	KL-1001-1013	Thrust piece 55mm Ø	1
B	KL-1010-1001	Support sleeve, long (removal)	1
C	KL-1010-1006	Support sleeve, short (installation)	1

2.3 Specifications

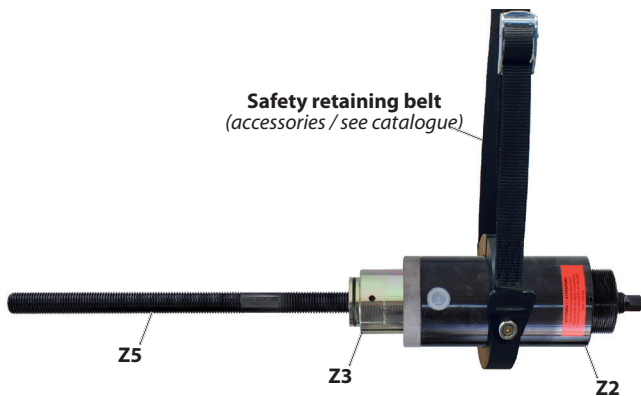
Max. load of hydraulic cylinder - KL-0040-2500:17t
 Max. load of sleeve set:20t

📷 1: KL-1010-1205 (accessories)



A3

📷 2: Preparing the tool



Safety retaining belt
(accessories / see catalogue)

Z5

Z3

Z2

📷 3: Preparing the vehicle



Closed silent block

2.4 Accessories

KL-1010-1205 Thrust piece 59mm Ø

Fits BPW axles with a silent block hole diameter of 60 mm and M24 mounting screw.

The thrust piece allows quick and professional removal and installation of closed silent blocks on BPW axles.

Item	Part no.	Description	Qty.
A3	KL-1010-1205	Thrust piece 59mm Ø	1

3. PREPARATIONS

⚠️ WARNING

The extraction device may break during use, fall down, and fly about; this may result in **DEATH** or **SERIOUS INJURIES!**

► Carefully check the extraction device for damage **before each use**.

► Never use the extraction device when it is damaged.

► Use **only genuine GEDORE Automotive** spare parts and accessories.

► **Always** wear your personal protective equipment (safety goggles, protective gloves, safety shoes) when working!

3.1 Checking the scope of delivery

Prior to using the extraction device, check that all parts of the scope of delivery are available. Follow the instructions below.

3.2 Required drive parts

⚠️ WARNING

The extraction device may break if a machine-operated drive is used; ejected parts may lead to **DEATH** or **SERIOUS INJURIES!**

► Use the extraction device **exclusively** with a manually operated **GEDORE Automotive hydraulic cylinder / pump combination** with a manometer for reliable pressure control!

Assemble the required drive parts as shown in **Chapter 2.1**.

① **Drive parts, see GEDORE-Automotive main catalogue.**

3.4 Preparing the tool

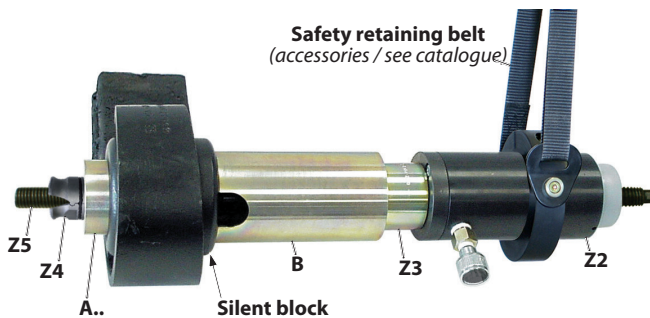
1. Prepare the hydraulic cylinder [Z2] accordingly. For this, screw the draw spindle [Z5] into the hydraulic cylinder [Z2] as shown in 📷 1, and screw on the mounting adapter [Z3].

① The safety retaining belt -KL-0040-2590,, which is available as an accessory, or the holding device KL-0040-258 A make it possible to secure the extraction device against falling down.

3.5 Preparing the vehicle

1. Lift the vehicle safely according to the manufacturer's instructions and loosen or prepare all necessary parts for the subsequent work.

📷 4: Apply the extraction device to the silent block.



4. TYPICAL APPLICATION

This typical application describes the removal and installation of a closed silent bearing directly on the vehicle.

4.1 Removal of the silent block

⚠️ WARNING

The extraction device can fall down during use; falling parts can lead to **SEVERE INJURIES** of the head or feet!

▼ **Always** secure the extraction device at the vehicle against falling, for example using the safety retaining belt - **KL-0040-2590** or the mounting device - **KL-0040-258 A!**

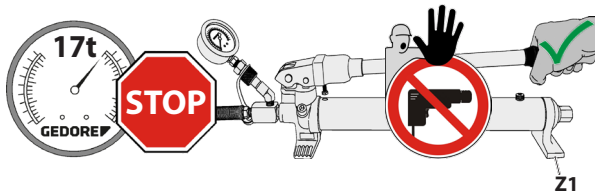
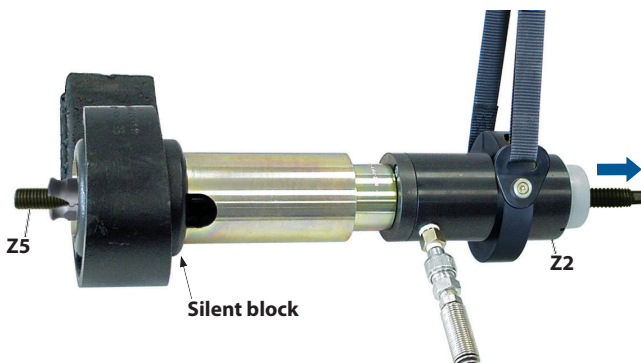
⚠️ ATTENTION

The silent block may collide with the support sleeve **[B]** when being pulled out.

▼ **Align** the support sleeve **[B]** in such a way that the silent bearing can be pulled out without collision.

1. Assemble the extraction device as shown in **📷 4** and subsequently attach it to the silent block and secure it.

EN
📷 5: Pull out the silent block.



The maximum stroke of the hydraulic cylinder **[Z2]** is 45 mm!

As soon as it is reached:

Interrupt pressing, relieve the pressure at the hydraulic pump **[Z1]**, re-tighten the quick clamping nut **[Z4]** until it is fully applied, and continue the pressing procedure.

⚠️ WARNING

The extraction device may break if a machine-operated drive is used; ejected parts may lead to **DEATH** or **SERIOUS INJURIES!**

▼ **Use** the extraction device **exclusively** with a manually operated **GEDORE Automotive** hydraulic cylinder / pump combination with a manometer for reliable pressure control!

2. Connect the hydraulic pump **[Z1]** with the hydraulic cylinder **[Z2]**.

⚠️ WARNING

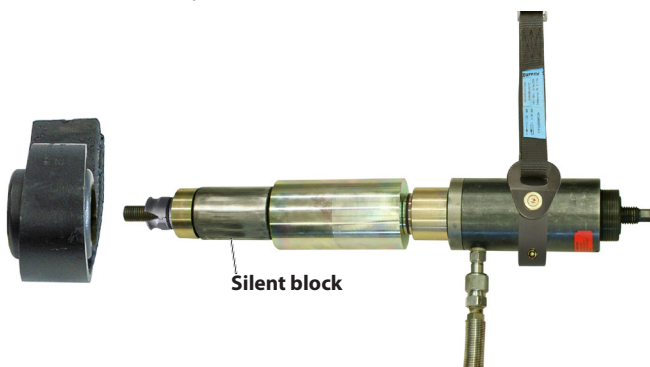
During the removal of silent blocks there is a breaking risk of the draw spindle, and thus the risk of parts being ejected. This can result in **DEATH** or **SEVERE INJURIES!**

▼ **Never** exceed the **max. load** of the hydraulic cylinder **[Z1]** of **17t!**

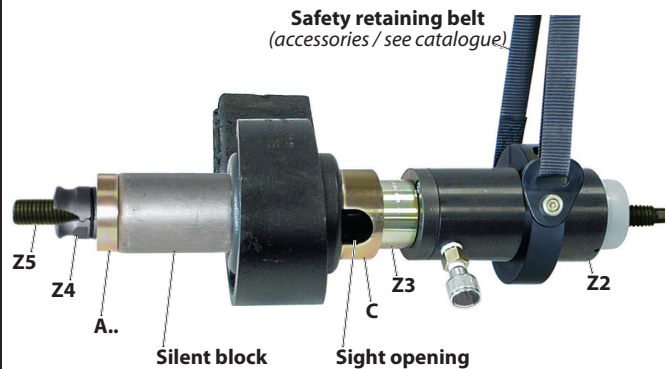
▼ **Never** stand in axial extension of the draw spindle during the removal **[Z5]**.

3. Operate the hydraulic pump **[Z1]** observing the pressure on the manometer, and pull out the silent block. **📷 5+6.**

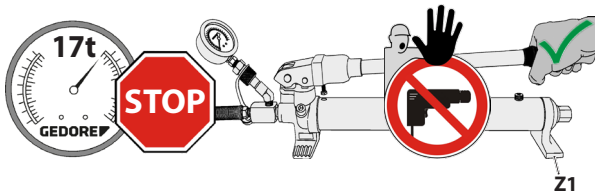
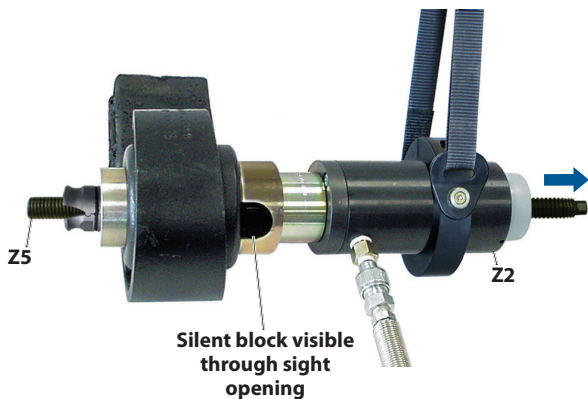
📷 6: Silent block pulled out.



📷7: Attach the extraction device to the mounting hole.



📷8: Install the silent block.



The maximum stroke of the hydraulic cylinder [Z2] is 45 mm!

As soon as it is reached:

Interrupt pressing, relieve the pressure at the hydraulic pump [Z1], re-tighten the quick clamping nut [Z4] until it is fully applied, and continue the pressing procedure.

6. MAINTENANCE AND REPAIR

⚠️WARNING If you detect damage to the special tool, it must no longer be used for safety reasons! A professional inspection and repair may only be carried out by specially trained specialist personnel at **GEDORE Automotive GmbH**. Improper repair of the special tool can result in **DEATH** or **SEVERE INJURIES**.

7. ENVIRONMENTALLY COMPLIANT DISPOSAL

Dispose of special tool and packaging material in accordance with the legal requirements in an environmentally friendly manner.

4.2 Installation of the silent block

⚠️WARNING

The extraction device can fall down during use; falling parts can lead to **SEVERE INJURIES** of the head or feet!

▶ **Always** secure the extraction device at the vehicle against falling, for example using the safety retaining belt- **KL-0040-2590** or the mounting device - **KL-0040-258 A!**

⚠️ATTENTION

During the installation, the silent block may collide with the supporting sleeve [C].

▶ **Align** the support sleeve [C] in such a way that the silent block can be installed without collision.

1. Assemble the extraction device accordingly and position it correctly with the silent bearing **📷7** on the mounting hole and secure it.

⚠️WARNING

The extraction device may break if a machine-operated drive is used; ejected parts may lead to **DEATH** or **SERIOUS INJURIES!**

▶ Use the extraction device **exclusively** with a manually operated **GEDORE Automotive** hydraulic cylinder / pump combination with a manometer for reliable pressure control!

2. Connect the hydraulic pump [Z1] with the hydraulic cylinder [Z2].

⚠️ATTENTION

The silent block can be damaged.

▶ Be sure to observe the installation position of the silent bearing according to the manufacturer's specifications.

⚠️WARNING

During the installation of silent blocks there is a breaking risk of the draw spindle, and thus the risk of parts being ejected. This can result in **DEATH** or **SEVERE INJURIES!**

▶ **Never** exceed the **max. load** of the hydraulic cylinder [Z2] of **17t!**

▶ **Never** stand in axial extension of the draw spindle during the installation [Z5].

3. Operate the hydraulic pump [Z1] observing the pressure on the manometer, and install the silent block **📷8** according to the manufacturer's instructions.

4. Relieve the extraction device, disassemble it, and make further repairs on the vehicle according to manufacturer's instructions.

5. CARE AND STORAGE

⚠️ATTENTION Benzene and solvents can damage plastic parts. After each use, clean all parts with a clean cloth only. To protect them against corrosion, lightly rub all metal parts after use with an anti-corrosion oil or wax that is suitable for tool care. Keep the special tool in a dry and clean place.

GEDORE-Werkzeugfabrik GmbH & Co. KG

Remscheider Straße 149
42899 - Remscheid
Postfach 120361
47873 Remscheid
GERMANY

Vertrieb DEUTSCHLAND

☎ +49 (0) 2191 / 596-0
☎ +49 (0) 2191 / 596-230
✉ info@gedore.com
🌐 www.gedore.com

Sales INTERNATIONAL

☎ +49 (0) 2191 / 596-910
☎ +49 (0) 2191 / 596-911
✉ info@gedore.com
🌐 www.gedore.com

GEDORE TOOLS, INC.

Only for USA, Canada & Mexico
Sólo para EE.UU., Canadá y México
Seulement pour les USA, le Canada et le Mexique
7187 Bryhawke Circle, Suite 700, North Charleston, SC 29418, USA

☎ +1-843 / 225 50 15
☎ +1-843 / 225 50 20
✉ info@gedoretools.com
🌐 www.gedoretools.com

Worldwide GEDORE service centers and offices are listed on the Internet at: www.gedore.com

GEDORE-Werkzeugfabrik GmbH & Co. KG

Breslauer Straße 41
78166 - Donaueschingen
Postfach 1329
78154 Donaueschingen
GERMANY

Vertrieb DEUTSCHLAND

☎ +49 (0) 771 / 8 32 23-0
☎ +49 (0) 771 / 8 32 23-90
✉ info.gam@gedore.com
🌐 gedore-automotive.com



www.gedore-automotive.com