

# GEDORE

TOOLS FOR LIFE

Pulling Device for drawbar with hydraulic-cylinder



**KL-1001-25 A**



1001-25Ae110437Titel.docx

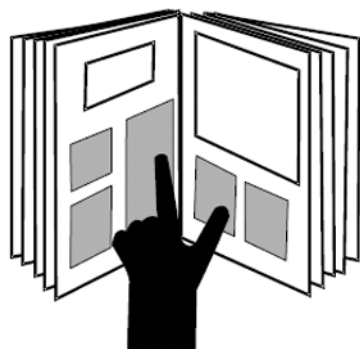
**GEDORE Automotive GmbH**

Breslauer Straße 41  
78166 Donaueschingen

Postfach 1329  
78154 Donaueschingen - GERMANY

Tel.: +49 (0) 771 / 8 32 23-0  
Fax: +49 (0) 771 / 8 32 23-90

E-Mail: [info@gedore-automotive.com](mailto:info@gedore-automotive.com)  
Internet: [gedore-automotive.com](http://gedore-automotive.com)



English


**en**

9 - 14

**Contents** 



<b>1. Essential Safety Notices .....</b>	<b>10</b>
1.1 Safety Notices and Warnings .....	10
1.2 Personal Protective Equipment.....	10
1.3 Intended Use .....	11
1.4 Safe and Proper Use .....	11
1.5 Work Environment.....	11
1.6 Appropriate Users .....	11
<b>2. Product Description.....</b>	<b>12</b>
2.1 KL-1001-25 A Pulling Device for Drawbar Silentbloc, with Hydraulic Cylinder .....	12
2.2 Technical Data.....	12
<b>3. Preparatory Work.....</b>	<b>12</b>
3.1 Checking the Delivery .....	12
3.2 Preparing the Hydraulic Cylinder .....	12
3.3 Preparing the Vehicle .....	12
<b>4. Silentbloc Removal / Silentbloc Installation .....</b>	<b>13</b>
4.1 Removing the Silentbloc.....	13
4.2 Installing the Silentbloc .....	13
<b>5. Care and Storage .....</b>	<b>14</b>
<b>6. Accessories.....</b>	<b>14</b>
<b>7. Maintenance and Repair by the GEDORE Automotive Service Centre .....</b>	<b>14</b>
<b>8. Spare Parts List.....</b>	<b>14</b>
<b>9. Environmentally Safe Disposal.....</b>	<b>14</b>

## 1. Essential Safety Notices

-  Before using the pulling device, it is imperative to read and understand the instruction manual. Misuse can lead to **SERIOUS** or **FATAL INJURIES**.  
This instruction manual is part of the pulling device. Store the instruction manual in a safe place for any further use and give it to the subsequent users of the pulling device.

### 1.1 Safety Notices and Warnings

For better differentiation, the warning notices in this instruction manual are classified as follows:

Warning sign	Sign reads	Meaning
	<b>DANGER</b>	Indicates a hazardous situation which, if not avoided, may result in <b>serious</b> or <b>fatal injuries</b> .
	<b>CAUTION</b>	Indicates a hazardous situation which, if not avoided, may result in <b>moderate</b> or <b>minor injuries</b> .
	<b>ATTENTION</b>	Indicates a situation which, if not avoided, may result in possible damage to the pulling device or its functioning, or to objects in its vicinity.

#### **DANGER**

When removing and installing a silentbloc, there is the risk that the pull spindle could break and fall to pieces. This will lead to parts becoming projectiles.

- Observe and do not exceed the maximum load capacity.
- Use hydraulic pump with pressure gauge **KL-0040-2529**.
- Only use Original GEDORE Automotive spare parts.
- Always keep all parts of your body away from the axial extension of the pull spindle.

#### **CAUTION**

A falling tool can cause injuries.

- Always wear safety shoes / boots.

#### **ATTENTION**

- Lubricate spindles with molybdenum disulphide paste **KL-0014-0030** (accessory).

### 1.2 Personal Protective Equipment

**ALWAYS** wear personal protective equipment when using the pulling device. The pulling device can cause mechanical hazards which could result in serious injuries such as contusions, cuts and concussions.



**EYE PROTECTION** (see OSHA 29 CFR 1910.133 and ANSI Z87) designed to protect you from flying objects must be worn when using the pulling device.

- Particles may be ejected at very high speed while working with the pulling device and could cause serious injuries to your eyes.



**SAFETY GLOVES** must be worn when using the pulling device.


- Working with the pulling device can cause skin abrasions and contusions.



**SAFETY SHOES/BOOTS** with slip resistant soles and steel-toe caps (see OSHA 29 CFR 1910.136 and ANSI 241) must be worn when using the pulling device.

- Falling parts can cause serious injuries to feet and toes.

### 1.3 Intended Use


-  The pulling device must only be used for removing and installing the silentblocs featuring a bore Ø of 57 mm, for example those mounted on „Regensburger“ lorry trailer drawbars.

The pulling device may only be used in accordance with the instructions specified in this manual.

- Any other use can result in severe injuries or even death.

### 1.4 Safe and Proper Use

Take the following safety precautions to prevent injuries and damage that could be caused by improper handling or unsafe use of the pulling device.

-  Misuse can result in extremely severe injuries or even death.
- NEVER overload the pulling device.
  - Always check the pulling device prior to EACH use in order to ensure that it is in good order and condition.
  - Damaged or worn parts MUST be replaced prior to use.
  - ONLY use Original GEDORE Automotive spare parts and accessories for the pulling device.

### 1.5 Work Environment

Work with the pulling device should only be carried out in a safe work environment:

- The workplace must always be clean and tidy.
- The workplace must be sufficiently large and secured.

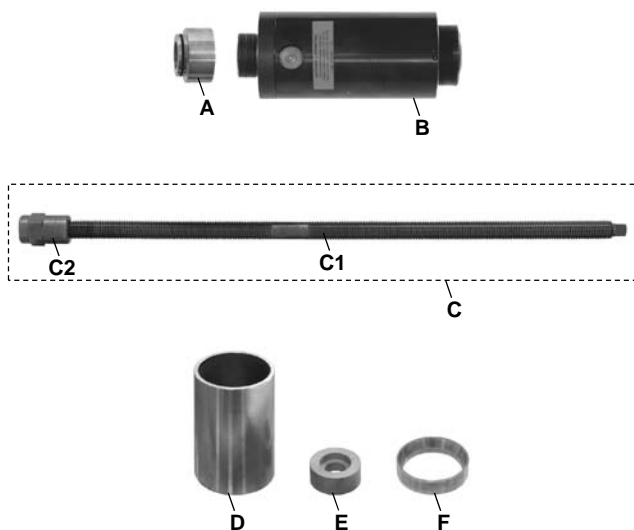
### 1.6 Appropriate Users

This instruction manual is designed for technicians in workshops.

DO NOT allow children to use the pulling device.

Purchasers / employers purchasing the pulling device MUST ensure that any person / employee using the pulling device have read and understood this instruction manual prior to using the tool. This instruction manual MUST be made available to the users of the pulling device / employees for reference at all times.

Fig. 1: KL-1001-25 A



## 2. Product Description

### 2.1 KL-1001-25 A Pulling Device for Drawbar Silentbloc with Hydraulic Cylinder

Suitable for silentblocs with a bore-Ø of 57 mm , for example those mounted on „Regensburger“ lorry trailer drawbars.

Essential tool for the quick and trouble-free removal and installation of the specified silentblocs.

**Note:** The hydraulic hand pump **KL-0215-35 M25** (accessory) is needed to drive the hydraulic cylinder **KL-0040-2500**.

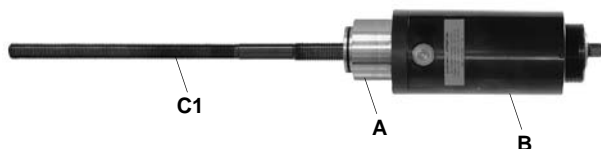
- A Adaptor
- B Hydraulic cylinder
- C Pull spindle with clamping nut
- C1 Pull spindle
- C2 Clamping nut
- D Support sleeve (removal / installation)
- E Pressure piece (removal / installation)
- F Conical sleeve (installation)

### 2.2 Technical Data

Maximum load capacity of the hydraulic cylinder: 17 t

Maximum load capacity of the pull spindle: 20 t

Fig. 2: Adaptor, pull spindle, hydraulic cylinder



## 3. Preparatory Work

Before using the pulling device for the first time, check and confirm you have all parts listed in the scope of delivery. Then, follow the mounting instructions.

### 3.1 Checking the Delivery (Fig. 1)

### 3.2 Preparing the Hydraulic Cylinder

1. Screw Adaptor "A" onto hydraulic cylinder "B".
2. Screw in pull spindle "C1" into hydraulic cylinder "B". (Fig. 2)
3. Mount hydraulic cylinder "B" into retaining device **KL-0040-258** (accessory) (Fig. 3), then install both together on a suitable transmission jack.

**Note:** Alternatively, the pulling device can be secured by means of the safety belt **KL-0040-2590** against falling.

### 3.3 Preparing the Vehicle

Loosen and/or remove all necessary components.

Fig. 3: Mounting the hydraulic cylinder into retaining device.



Fig. 4: Silentbloc removal.

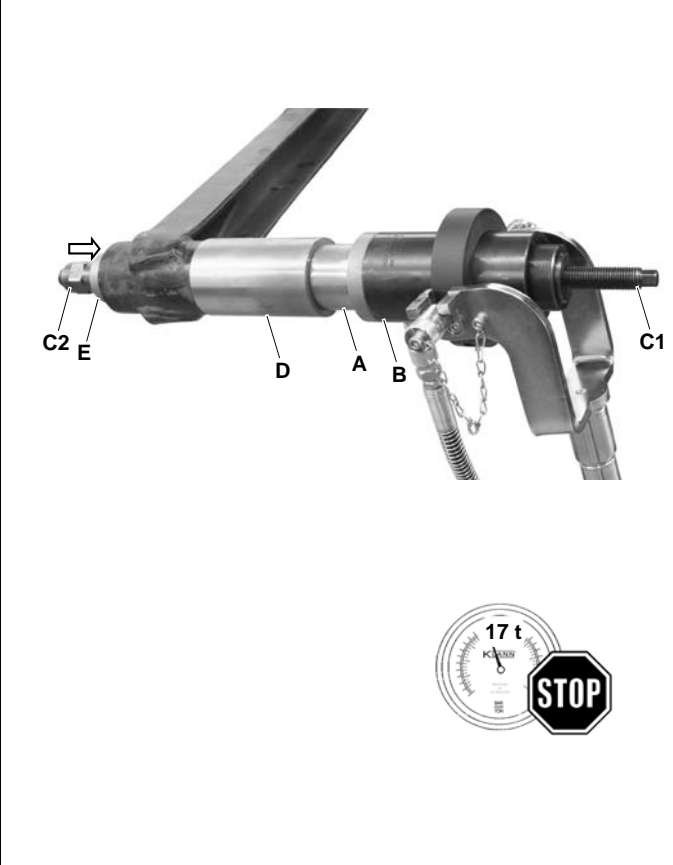
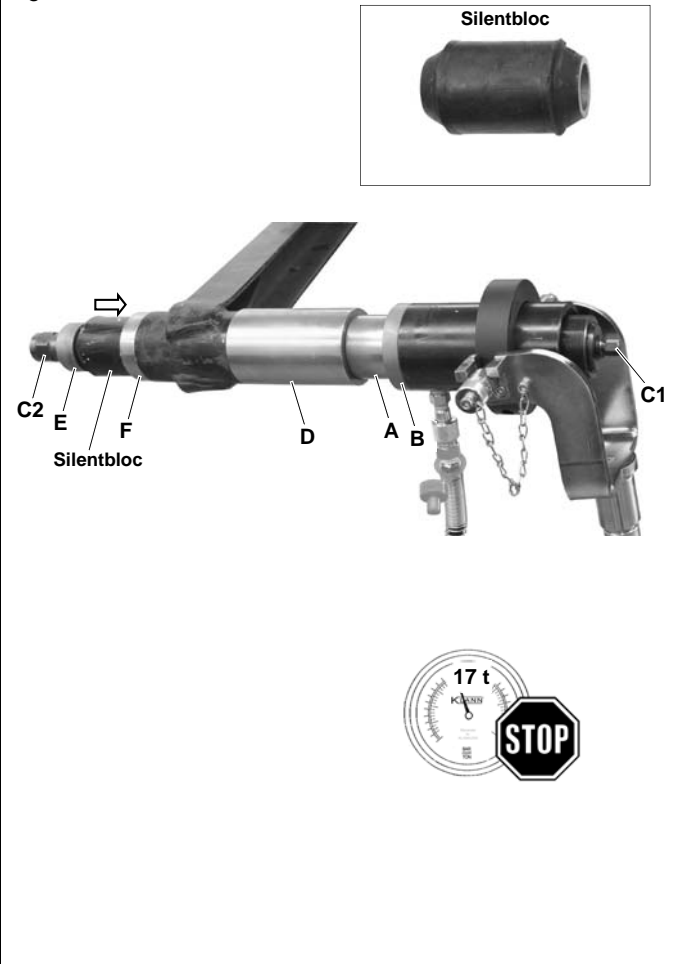


Fig. 5: Silentbloc installation.



## 4. Silentbloc Removal / Silentbloc Installation

These instructions describe the procedure of removing and installing the specified silentbloc on a lorry trailer drawbar.

### 4.1 Removing the Silentbloc

#### 1. **ATTENTION**

Risk of damage to the support sleeve if it is not aligned correctly.

- Align the support sleeve "D" so as to enable the silentbloc to be removed without the risk of collision.

Mount the tool on the drawbar as shown in Fig. 4.

- Connect hydraulic cylinder "B" to the hydraulic pump (accessory).

#### 3. **DANGER**

When removing a silentbloc, there is the risk that the pull spindle could break and fall to pieces. This will lead to parts becoming projectiles.

- Observe and do not exceed the maximum load capacity.
- Use hydraulic pump with pressure gauge **KL-0040-2529**.
- Only use Original GEDORE Automotive spare parts.
- Always keep all parts of your body away from the axial extension of the pull spindle.

Operate hydraulic pump and remove silentbloc.

During the removal process, read the required force on the pressure gauge of the hydraulic pump.

**Note:** If the piston stroke of the hydraulic cylinder is insufficient, relieve the cylinder, retighten the hex nut, and restart the removal process.

### 4.2 Installing the Silentbloc

#### 1. **ATTENTION**

Risk of damage to the sleeve set if it is not aligned correctly.

- Make sure that the support sleeve "D", conical ring "F" and pressure piece "E" are positioned correctly.

Risk of damage to the silentbloc if it is not aligned correctly.

- Observe the position and direction of installation of the silentbloc specified by the vehicle manufacturer.

Mount the tool with the new silentbloc on the drawbar as shown in Fig. 5.

- Connect hydraulic cylinder "B" to the hydraulic pump (accessory).

#### 3. **DANGER**

When installing a silentbloc, there is the risk that the pull spindle could break and fall to pieces. This will lead to parts becoming projectiles.

- Observe and do not exceed the maximum load capacity.
- Use hydraulic pump with pressure gauge **KL-0040-2529**.
- Only use Original GEDORE Automotive spare parts.
- Always keep all parts of your body away from the axial extension of the pull spindle.

Operate hydraulic pump and install silentbloc. During the installation process, read the required force on the pressure gauge of the hydraulic pump.

**Note:** If the piston stroke of the hydraulic cylinder is insufficient, relieve the cylinder, retighten the hex nut, and restart the installation process.

- Stop the installation process as soon as the silentbloc has reached its correct position.

- Remove the tool from the drawbar, check the position of the silentbloc and reassemble the vehicle in accordance with the manufacturer's instructions.

Fig. 6: Accessories: KL-0040-258



Fig. 7: Accessories: KL-0040-2588



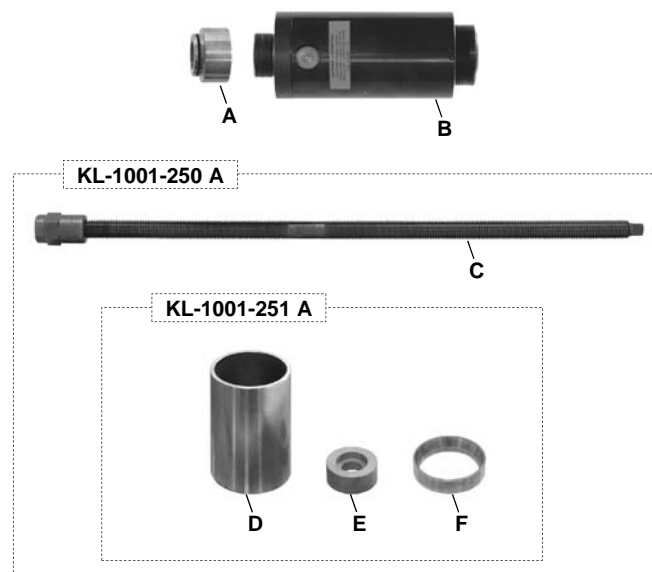
Fig. 8: Accessories: KL-0040-2590



Fig. 9: Accessories: KL-0215-36 M25



Fig. 10: Spare parts: KL-1001-25 A



## 5. Care and Storage

**ATTENTION** Petroleum ether and chemical solvents can damage plastic parts. Always clean all parts after their use with a clean cloth only. In order to protect against corrosion, lightly lubricate all metal parts after their use and store them in a clean and dry place.

## 6. Accessories

### KL-0040-258 Retaining Device for Hydraulic Cylinder KL-0040-2500

The retaining device **KL-0040-258** is used in conjunction with a transmission jack (plunger-Ø 30 mm) thus enabling easy and trouble-free working with all those GEDORE Automotive-Tools that are driven by the hydraulic cylinder **KL-0040-2500**.

### KL-0040-2588 Adaptor Retaining Sleeve VW

Necessary to use the retaining device **KL-0040-258** in conjunction with the VW-Transmission Jack.

### KL-0040-2590 Safety Belt for Hydraulic Cylinder 17 t

By fastening the safety belt **KL-0040-2590** to the vehicle and to the hydraulic cylinder **KL-0040-2500**, the latter is prevented from falling.

### KL-0215-35 M25 Hydraulic Hand Pump

The hydraulic hand pump **KL-0215-35 M25** is used to drive the hydraulic cylinder (17 t) **KL-0040-2500**.

**Note:** The hydraulic pressure and necessary force can be checked while operating the pump at pressure gauge **KL-0040-2529** (supplied with the tool set). The pressure gauge features an additional drum-type tonne scale matching our **KL-0040-2500** hydraulic cylinder (17 t).

## 7. Maintenance and Repair by the GEDORE Automotive Service Centre

For safety reasons, as soon as damage is noticed on the pulling device, immediate steps must be taken to prevent it from being used. For professional checking and repair of the tool, please contact the GEDORE Automotive Service Centre.

### Address:

GEDORE Automotive Spezial-Werkzeugbau-GmbH  
Breslauerstraße 41  
DE-78166 Donaueschingen  
Phone.: 0771 83 22 371

Email: [service@gedore-automotive.com](mailto:service@gedore-automotive.com)

For additional information concerning the use of our pulling device, please contact the GEDORE Automotive Service Centre.

## 8. Spare Parts List

Pos.	Part No.	Description	Qty.
	KL-1001-25 A	Pulling device for drawbar silentbloc with hydraulic-cylinder	1
<i>consists of:</i>			
	KL-1001-250 A	Pulling device for drawbar silentbloc without hydraulic-cylinder	1
A	KL-0039-1003	Retainer adaptor for hydraulic cylinder	1
B	KL-0040-2500	Hydraulic cylinder 17 t	1
Pos.	Part No.	Description	Qty.
	KL-1001-250 A	Pulling Device for drawbar silentbloc without hydraulic-cylinder	1
<i>consists of:</i>			
	KL-1001-251 A	Sleeve set for drawbar	1
C	KL-0039-1920	Pull spindle M20, with clamping nut	1
Pos.	Part No.	Description	Qty.
	KL-1001-251 A	Sleeve set for drawbar	1
<i>consists of:</i>			
D	KL-0039-1772	Support sleeve, long Ø72 mm	1
E	KL-1001-2501	Pressure piece	1
F	KL-1001-2502	Conical sleeve	1

## 9. Environmentally Safe Disposal

The pulling device and its packaging material have to be disposed of in compliance with the legal rules and regulations in force.