



KL-1005-800

Mechanical Drive Kit for Commercial Vehicles



Product information EN
⚠ Read and understand before use!



www.gedore-automotive.com



GEDORE Automotive GmbH

Breslauer Straße 41
78166 - Donaueschingen
Postfach 1329
78154 Donaueschingen - GERMANY

☎ +49 (0) 771 / 8 32 23-0
☎ +49 (0) 771 / 8 32 23-90
✉ info.gam@gedore.com
🌐 gedore-automotive.com

GEDORE TOOLS, INC.

Only for USA, Canada & Mexico / Sólo para EE.UU., Canadá y México
Seulement pour les USA, le Canada et le Mexique
7187 Bryhawke Circle, Suite 700
North Charleston, SC 29418, USA

☎ +1-843 / 225 50 15
☎ +1-843 / 225 50 20
✉ info@gedoretools.com
🌐 gedore.com

Version 1 - 11/2021

1005-800_EN211002.indd

Product description

KL-1005-800 - Mechanical drive kit for commercial vehicles

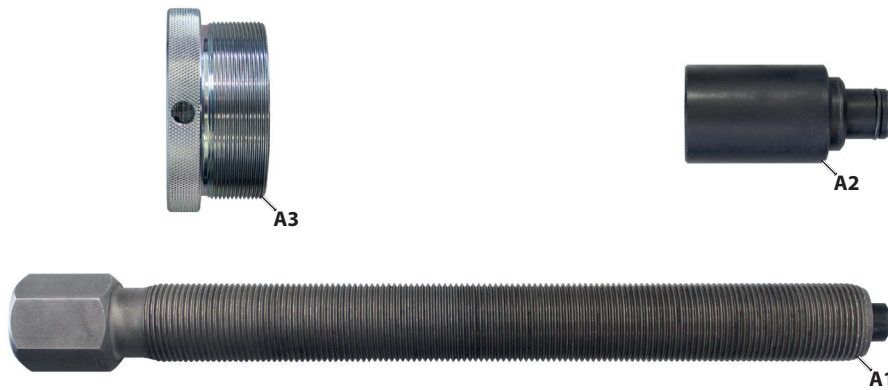
The drive kit allows simple mechanical driving of **commercial vehicle wheel hub puller kits - KL-1005-100 A and KL-1005-111**. In connection with the **pressure spindle - 1.3306500**, which is available as an accessory, the kit can also be used on the **commercial vehicle press frame - KL-1039-111**.

Scope of delivery/component overview

Item	Part no.	Description	Qty.
A1	1.3306310	Thrust spindle G1" x 310mm	1
A2	KL-1005-8002	Thrust piece with O-ring	1
A3	KL-1005-8001	Adapter 2 3/4"-16 UNS to G1	1

Specifications

Thread: G1"
 Size: 36mm
 Length: 310mm



Accessories

1.3306500 - Thrust spindle G1" x 500mm

In combination with the pressure piece [A2] and adapter [A3] (mechanical drive kit for commercial vehicles KL-1005-800), the pressure spindle enables the simple mechanical drive of the **commercial vehicle press frame - KL-1039-111**.

Specifications

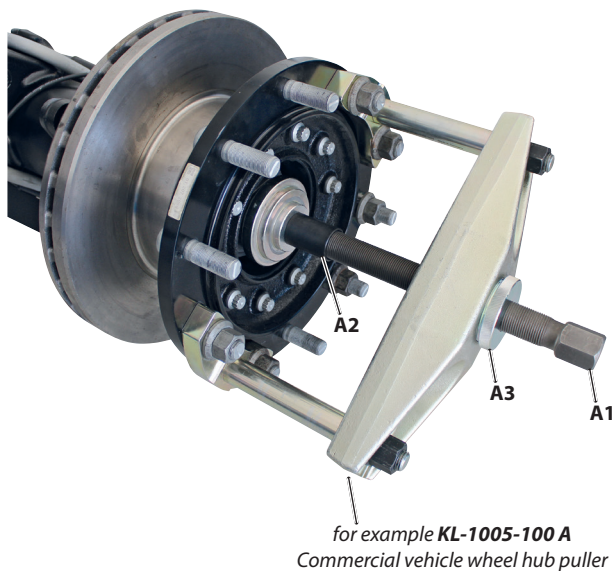
Thread:G1"
 Size: 36mm
 Length: 500mm



📷 1: Prepare the drive kit and lubricate the spindle.



📷 2: Screw in the drive kit accordingly



📷 3: Carry out further work depending on the tool kit in accordance with the relevant instructions and the manufacturer's specifications!



⚠ Safety instructions and regulations

- ✔ **Before using** the special tools, read and understand all safety instructions and **follow** them for **safe use**!
- ✔ Use the special tools **as intended** and **always** carry out maintenance and repair work in compliance with the regulations on occupational safety and accident prevention as well as the vehicle manufacturer's instructions!
- ✔ **Prior to each use**, check the special tools **carefully** for damage, loose parts or unauthorised modifications. **Never** use it if you notice any such deficiencies!
- ✔ **Always** wear your personal protective equipment (for example safety goggles, protective gloves, safety shoes) when working!

EN

PREPARATION

CAUTION

The drive kit can be damaged by insufficient lubrication!

- ✔ **Prior to each use**, check the spindle of the drive kit for sufficient lubrication. If required, lubricate it only with molybdenum disulphide paste (for example **KL-0014-0030**)!

1. Assemble the drive kit as shown in **📷 1**, and lubricate the spindle **[A1]** or **[B1]** sufficiently with molybdenum disulphide paste.
2. Screw the drive kit completely into the corresponding tool kit* via the adapter **[A3]** and as shown in **📷 2**.
 - * e.g. commercial vehicle wheel hub puller - KL-1005-100 A or KL-1005-111 or commercial vehicle press frame - KL-1039-111
3. Depending on the tool kit*, carry out the further work according to the associated instructions and in accordance with the manufacturer's specifications. **📷 3**
 - * e.g. commercial vehicle wheel hub puller - KL-1005-100 A or KL-1005-111 or commercial vehicle press frame - KL-1039-111

Recommended accessories:

KL-1000-0115 - Retaining device for commercial vehicle wheel hubs

The holding device enables the wheel hub to be professionally held against the wheel studs. Required e.g. for loosening and controlled torque tightening of the wheel bearing, stub axle and brake disc bolts as well as the wheel capsule.

GEDORE-Werkzeugfabrik GmbH & Co. KG

Remscheider Straße 149
42899 - Remscheid
Postfach 120361
47873 Remscheid
GERMANY

Vertrieb DEUTSCHLAND

☎ +49 (0) 2191 / 596-0
☎ +49 (0) 2191 / 596-230
✉ info@gedore.com
🌐 www.gedore.com

Sales INTERNATIONAL

☎ +49 (0) 2191 / 596-910
☎ +49 (0) 2191 / 596-911
✉ info@gedore.com
🌐 www.gedore.com

GEDORE TOOLS, INC.

Only for USA, Canada & Mexico
Sólo para EE.UU., Canadá y México
Seulement pour les USA, le Canada et le Mexique
7187 Bryhawke Circle, Suite 700, North Charleston, SC 29418, USA

☎ +1-843 / 225 50 15
☎ +1-843 / 225 50 20
✉ info@gedoretools.com
🌐 www.gedoretools.com

Worldwide GEDORE service centers and offices are listed on the Internet at: www.gedore.com

GEDORE Automotive GmbH

Breslauer Straße 41
78166 - Donaueschingen
Postfach 1329
78154 Donaueschingen
GERMANY

Vertrieb DEUTSCHLAND

☎ +49 (0) 771 / 8 32 23-0
☎ +49 (0) 771 / 8 32 23-90
✉ info.gam@gedore.com
🌐 gedore-automotive.com



www.gedore-automotive.com