

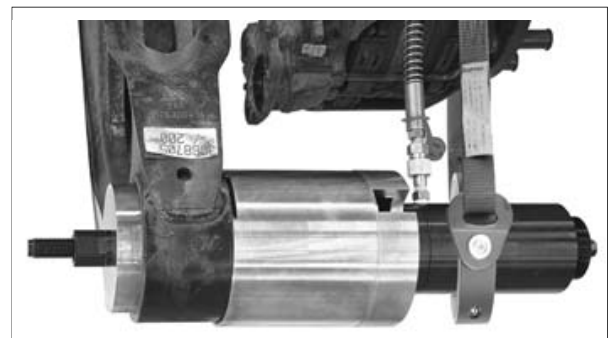
GEDORE

TOOLS FOR LIFE

Pulling Device with 28t Hydraulic Cylinder,
for HGV Silentbloc Ø 139mm



KL-1011-11



1011-11e150804.docx

GEDORE Automotive GmbH

Breslauer Straße 41
78166 Donaueschingen

Postfach 1329
78154 Donaueschingen - GERMANY

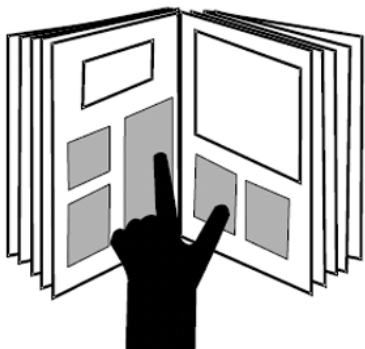
Phone.: +49 (0) 771 / 8 32 23-0
Fax: +49 (0) 771 / 8 32 23-90

Email: info@gedore-automotive.com
Internet: www.gedore-automotive.com

English



3 - 8



Impressum

Im Zuge der Verbesserung und Anpassung an den Stand der Technik behalten wir uns Änderungen im Hinblick auf Aussehen, Abmessungen, Gewichte und Eigenschaften sowie Leistungen vor.

Damit ist kein Anspruch auf Korrektur oder Nachlieferung bereits gelieferter Produkte verbunden. Streichungen können jederzeit vorgenommen werden, ohne dass ein rechtlicher Anspruch entsteht.

Alle Hinweise zur Benutzung und Sicherheit sind unverbindlich. Sie ersetzen keinesfalls irgendwelche gesetzlichen oder berufsgenossenschaftlichen Vorschriften.

Für Druckfehler übernehmen wir keine Haftung.

Ein Nachdruck, auch auszugsweise, bedarf der vorherigen schriftlichen Zustimmung durch **GEDORE Automotive GmbH**.

Alle Rechte weltweit vorbehalten.

Wir verweisen auf unsere Allgemeinen Geschäftsbedingungen, ersichtlich im Impressum unter www.gedore-automotive.com.

© Copyright by **GEDORE Automotive GmbH Donaueschingen (GERMANY)**

Impressum/Legal Notice

As part of our commitment to continuous product improvement and adaptation to state-of-the-art technology, we reserve the right to make modifications to our products with regard to design, dimension, weight, features and performances at any time and without prior notice.

Thus, the right to adjustments or replacement deliveries of goods already delivered is excluded. Cuts and cancellations can be made by us at any time without notice and no legal claims against us may arise or be derived from this.

All indications regarding use and safety are given for information only and without any commitment. In no case do they substitute for legal provisions or the regulations of the Employer's Liability Insurance Association.

Errors and omissions excepted.

Any reproduction, also in extracts, is subject to the prior written consent of **GEDORE Automotive GmbH**.

All rights reserved.

We refer to our General Terms and Conditions of Sale under 'Imprint' at www.gedore-automotive.com.

© Copyright by **GEDORE Automotive GmbH Donaueschingen (GERMANY)**

Impressum/Mentions légales

En raison des améliorations continues que nous apportons à nos produits et pour assurer leur adaptation constante à l'évolution des techniques, nous nous réservons le droit de procéder à des modifications de nos produits quant à l'apparence, aux dimensions, aux poids, aux caractéristiques et aux performances à tout moment sans préavis et sans obligation de modifier ou de remplacer des produits précédemment livrés.

Des suppressions peuvent être effectuées à tout moment et sans préavis sans qu'elles puissent donner lieu à réclamation.

Toutes les instructions d'utilisation et conseils de sécurité sont donnés sans engagement de notre part. Ils ne se substituent en aucun cas aux réglementations légales en vigueur ou à celles émises par les associations professionnelles.

Le plus grand soin possible a été apporté à la rédaction de ce document. Toutefois, nous n'assumons aucune responsabilité pour des erreurs, omissions ou défauts d'impression éventuels.

Une reproduction, même en partie, ne peut être effectuée qu'après autorisation écrite préalable de **GEDORE Automotive GmbH**.

Tous droits réservés.


Vous trouverez nos conditions générales de vente, sous Impressum/Mentions légales sur www.gedore-automotive.com.

© Copyright by **GEDORE Automotive GmbH Donaueschingen (GERMANY)**

Table of Contents 



	Page
1. Essential Safety Notices	4
1.1 Safety Notices and Warnings	4
1.2 Personal Protective Equipment	4
1.3 Intended Use	5
1.4 Safe and Proper Use	5
1.5 Work Environment.....	5
1.6 Target Group.....	5
2. Product Description.....	6
2.1 KL-1011-11 Pulling Device with 28t Hydraulic Cylinder, for HGV Silentbloc Ø 139mm	6
2.2 Technical Data	6
3. Preparatory Work.....	6
3.1 Checking the Delivery.....	6
3.2 Preparing the Vehicle.....	6
3.3 Preparing the Tool.....	6
4. Example of Use	6
4.1 Silentbloc Removal.....	6
4.2 Silentbloc Installation	7
5. Care and Storage	7
6. Accessoires	8
7. Maintenance and Repair by the GEDORE Automotive Service Centre	8
8. Spare Parts List.....	8
9. Environmentally Safe Disposal.....	8

1. Essential Safety Notices

-  Before using the pulling device for HGV silentbloc, it is imperative that you read and understand the Instruction Manual. Misuse can lead to **SERIOUS INJURIES** and even **DEATH**. This Instruction Manual is part of the pulling device. Keep the Instruction Manual in a safe place for future reference and pass it on to subsequent users of the pulling device.

1.1 Safety Notices and Warnings

For better differentiation, the warning notices in this Instruction Manual are classified as follows:

Warning sign	Signal word	Meaning
	WARNING	Indicates a hazardous situation which, if not avoided, could result in serious or fatal injuries .
	CAUTION	Indicates a hazardous situation which, if not avoided, could result in moderate or minor injuries .
	ATTENTION	Indicates a situation which, if not avoided, may result in possible damage to the pulling device or its functioning, or to objects in its vicinity.

WARNING

When removing and installing silentblocs, there is a risk of the pull spindle breaking and falling to pieces. This will lead to parts becoming projectiles.

- Observe and do not exceed the maximum load capacity of the pull spindle.
- Use hydraulic pump with pressure gauge **KL-0040-2529**.
- Only use the genuine spare parts from **GEDORE Automotive**.
- Always keep all parts of your body away from the axial extension of the pull spindle.

CAUTION

A falling tool can cause injuries.

- Always wear safety shoes/boots.

ATTENTION

- Lubricate spindles with molybdenum disulphide paste **KL-0014-0030** (accessory).

1.2 Personal Protective Equipment

ALWAYS wear personal protective equipment when using the pulling device. The pulling device can cause mechanical hazards leading to injuries such as contusions, cuts or concussions.



EYE PROTECTION (see OSHA 29 CFR 1910.133 and ANSI Z87) designed to protect you from flying debris/parts must be worn when using the pulling device.

- Particles may be ejected at very high speed when working with the pulling device and could cause serious injuries to your eyes.



SAFETY GLOVES must be worn when using the pulling device.

- Working with the pulling device can cause skin abrasions and contusions.



SAFETY SHOES/BOOTS with slip-resistant soles and steel-toe caps (see OSHA 29 CFR 1910.136 and ANSI 241) must be worn when using the pulling device.

- Falling parts can cause serious injuries to feet and toes.

1.3 Intended Use

⚠ The pulling device is only designed for the removal and installation of silentblocs having a Ø of 139mm as found on HGV axles. The pulling device may only be used for the purpose and in the manner as described in this Instruction Manual.

- Any other use can result in severe injuries or even death.

1.4 Safe and Proper Use

Take the following safety precautions to prevent injuries and damage that could be caused by improper handling or unsafe use of the pulling device.

⚠ Misuse can result in extremely severe injuries or even death.

- NEVER overload the pulling device.
- ALWAYS check the pulling device prior to EACH use in order to ensure that it is in good order and condition.
- ALWAYS replace all damaged and worn parts prior to using the pulling device.
- ONLY use the genuine spare parts and accessories from GEDORE Automotive on the pulling device.

1.5 Work Environment

For safety reasons, work with the pulling device should only be carried out in a safe and secure work environment.

- The workplace should always be clean and uncluttered.
- The workplace should be sufficiently large and must be secured.

1.6 Target Group

This Instruction Manual is intended for technicians/mechanics in workshops.

DO NOT allow children to use the pulling device.

Purchasers/employers having purchased the pulling device MUST ensure that any person using the pulling device has read and understood this Instruction Manual prior to using the tool. This Instruction Manual MUST be made available to the users of the pulling device for reference at all times.

KL-1011-11

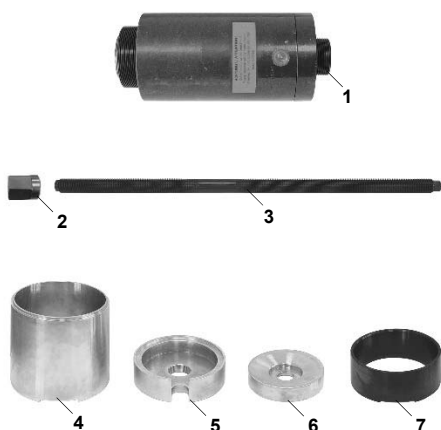


Fig. 1: Air suspension axle

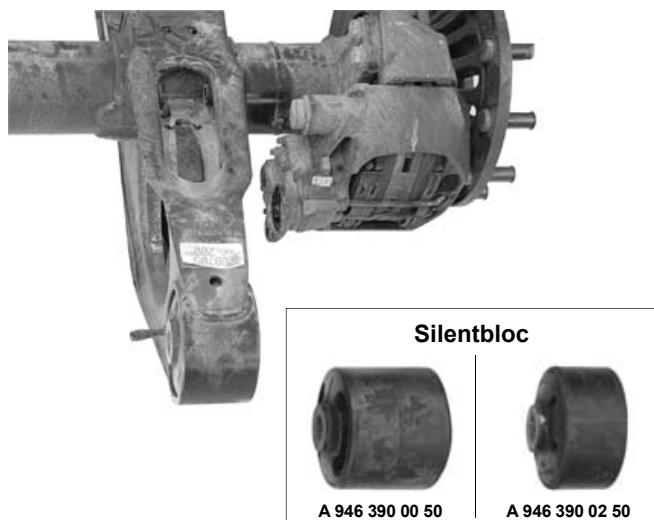


Fig. 2: Extracting the silentbloc

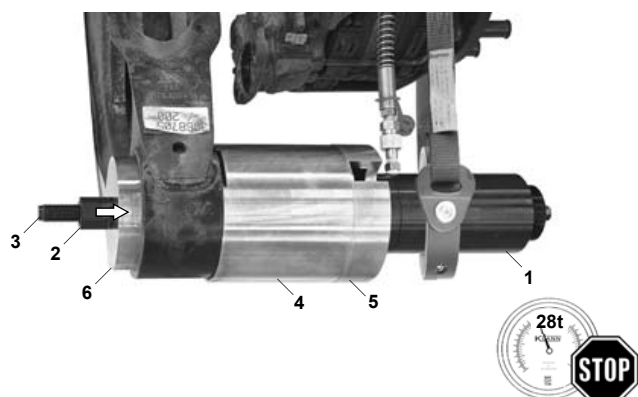
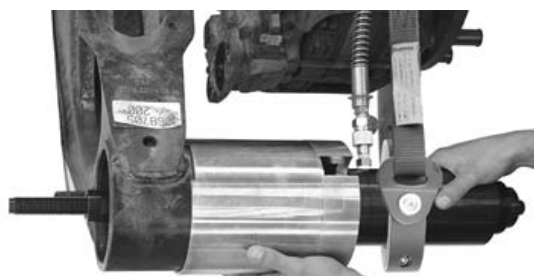


Fig. 3: Silentbloc removed.



2. Product Description

2.1 KL-1011-11 - Pulling Device with 28t Hydraulic Cylinder, for HGV Silentbloc Ø 139mm

Suitable for silentblocs with Ø of 139mm (Ø of approx. 151-157mm when removed). For example, as found in SAF INTRADISC plus air suspension axles, Mercedes DCA axle system with 3D pivot bush (A 946 390 02 50) and Mercedes HT 250 air suspension unit with 3D socket (A 946 390 00 50).

In conjunction with a hydraulic pump, the KL-1011-11 pulling device for HGV silentbloc enables the quick, professional and safe removal and replacement of the specified silentblocs on axle suspensions.

Pos.	Part No.	Description
1	KL-0040-2800	Hydraulic Cylinder (28t)
2	KL-0040-2812-3	Clamping Nut, Ø 40mm, M24
3	KL-0040-2841-1	Pull Spindle, M24x650mm
4	KL-1011-1103	Support Sleeve
5	KL-1011-1104	Cover
6	KL-1011-1102	Pressure Piece
7	KL-1011-1101	Conical Sleeve, Ø 139mm

2.2 Technical Data

Maximum load capacity of the hydraulic cylinder:28t
Maximum load capacity of the pull spindle:28t

3. Preparatory Work

Before first use, check the pulling device and confirm you have all the parts listed in the scope of delivery. Then, read and follow the mounting instructions.

3.1 Checking the Delivery.

3.2 Preparing the Vehicle.

Loosen and/or remove components/parts as necessary.

3.3 Preparing the Tool

Attach safety belt KL-0040-2890 (accessory) to hydraulic cylinder '1'.

4. Example of Use:

The following instructions describe the procedure of removing and installing a silentbloc from/to a SAF INTRADISC plus air suspension axle.

4.1 Silentbloc Removal.

1. ATTENTION

Make sure that support sleeve '4' and pressure piece '6' are aligned correctly, otherwise there is a risk of damaging these and the air suspension axle.

- Make sure that support sleeve '4' and pressure piece '6' are correctly seated.

CAUTION

There is a risk of the pulling device falling.

- Always wear safety shoes/boots.
- Secure pulling device with safety belt KL-0040-2890 (accessory) to prevent it from falling.

Mount pulling device as shown in Fig. 2.

2. WARNING

When removing silentblocs, there is a risk of the pull spindle breaking and falling to pieces. This will lead to parts becoming projectiles.

- Observe and do not exceed the maximum load capacity of the pull spindle.
- Use hydraulic pump with pressure gauge KL-0040-2829.
- Only use the genuine spare parts from GEDORE Automotive.
- Always keep all parts of your body away from the axial extension of the pull spindle.

Connect hydraulic-cylinder '1' to hydraulic pump (accessory). Operate hydraulic pump and remove silentbloc. (Fig. 3)

Fig. 4: Applying a suitable mounting paste to silentbloc locating bore, silentbloc and conical sleeve.

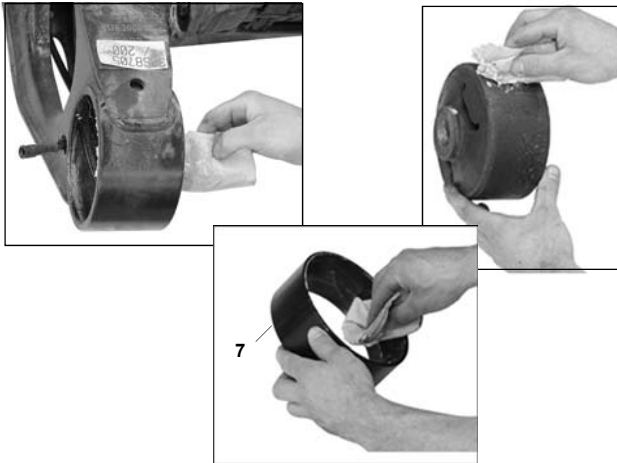


Fig. 5: Inserting the silentbloc.

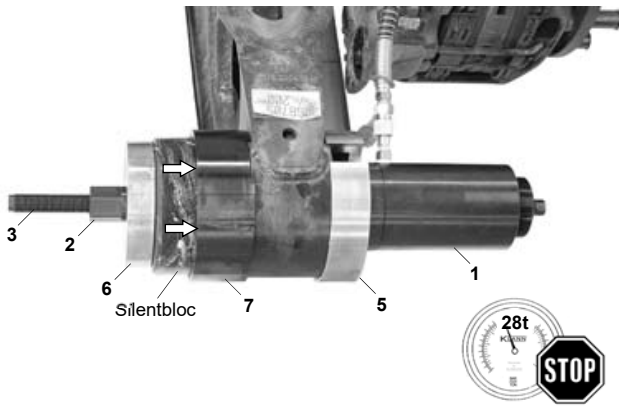


Fig. 6: Conical sleeve is detaching itself during insertion.

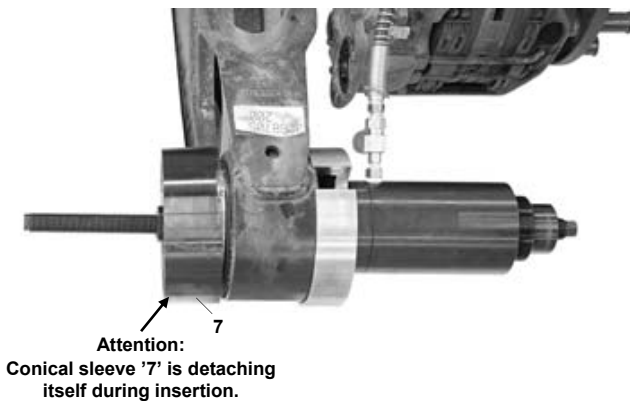
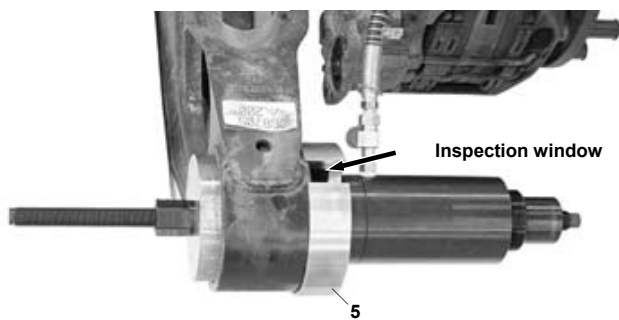


Fig. 7: Silentbloc inserted.



4.2 Silentbloc Installation

- Grease silentbloc locating bore, silentbloc and conical sleeve '7' with a suitable mounting paste. (Fig. 4)

2. ATTENTION

Make sure that silentbloc, cover '5', pressure piece '6' and conical sleeve '7' are aligned correctly, otherwise there is a risk of damaging these and the air suspension axle.

- Make sure that silentbloc, cover '5', pressure piece '6' and conical sleeve '7' are correctly seated.
- Observe the previously set marking on the silentbloc, respectively, the position and direction for silentbloc installation specified by the vehicle manufacturer.

⚠ CAUTION

There is a risk of the pulling device falling.

- Always wear safety shoes/boots.
- Use safety belt **KL-0040-2890** (accessory) to secure pulling device against falling.

Mount pulling device with new silentbloc to air suspension axle as shown in Fig. 5.

3. ATTENTION

During the insertion process, conical sleeve '7' is detaching itself and might fall.

- Secure conical sleeve '7' against falling.

⚠ WARNING

When installing silentblocs, there is a risk of the pull spindle breaking and falling to pieces. This will lead to parts becoming projectiles.

- Observe and do not exceed the maximum load capacity of the pull spindle.
- Use hydraulic pump with pressure gauge **KL-0040-2829**.
- Only use the genuine spare parts from **GEDORE Automotive**.
- Always keep all parts of your body away from the axial extension of the pull spindle.

Operate hydraulic pump and insert silentbloc into locating bore until it is correctly positioned. This can be checked through the inspection window in cover '5'. (Fig. 7)

During the installation process, monitor the hydraulic pressure and necessary force on the pressure gauge of the hydraulic pump.

- Remove tool and check position of silentbloc.

5. Care and Storage

ATTENTION Petroleum ether and chemical solvents can damage plastic parts. After each use, clean all parts with a clean cloth only.

In order to protect against corrosion, lightly lubricate all metal parts with oil after use, and store them in a clean and dry place.

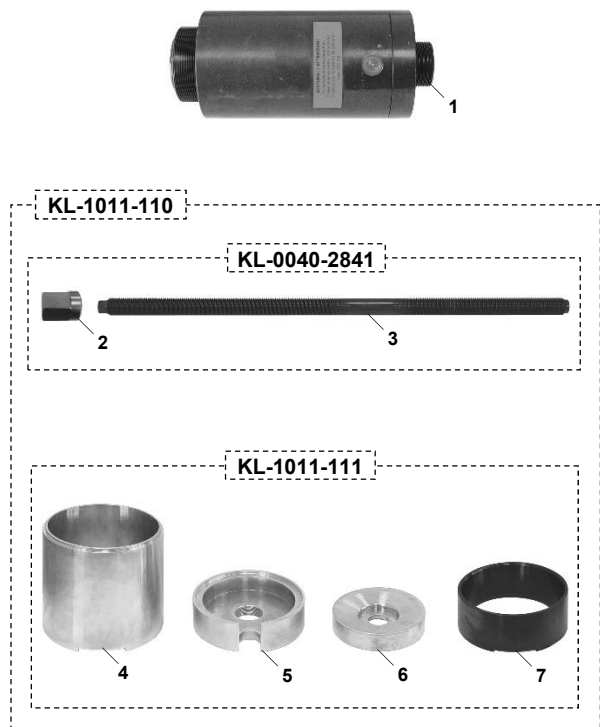
Accessory: KL-0040-2890 M25 - Safety Belt



Accessory: KL-0215-35 M28 Hydraulic Hand Pump



Fig. 8: Scope of Delivery



6. Accessoires :

KL-0040-2890 Safety Belt for 28t Hydraulic Cylinder

By attaching the KL-0040-2890 safety belt to the vehicle and to the hydraulic cylinder KL-0040-2800, the latter is prevented from falling.

KL-0215-35 M28 - Hydraulic Hand Pump

The KL-0215-35 M28 hydraulic hand pump is used to drive the hydraulic cylinder KL-0040-2800.

While operating the pump, you can monitor the hydraulic pressure and necessary force at pressure gauge KL-0040-2829 (supplied with the tool set). The pressure gauge features an additional tonne scale which is precisely adapted to our KL-0040-2800 28t hydraulic cylinder.

7. Maintenance and Repair by the GEDORE Automotive Service Centre

For safety reasons, as soon as damage is noticed on the pulling device, immediate steps must be taken to prevent it from being used. For professional inspection and repair of the pulling device, please contact the GEDORE Automotive Service Centre.

Address:

GEDORE Automotive GmbH

Breslauer Straße 41 // 78166 Donaueschingen // Postfach 1329 DE-78166 Donaueschingen, Germany

Phone: +49 (0) 771 / 8 32 23-0 // Fax: +49 (0) 771 / 8 32 23-90

Email: info@gedore-automotive.com

For additional information concerning the use of our pulling device, please contact the GEDORE Automotive Service Centre.

8. Spare Parts List

KL-1011-11 - Pulling Device with Hydraulic Cylinder (28t) for HGV Silentbloc Ø 139mm

Pos.	Part No.	Description	Qty
-	KL-1011-11	Pulling Device with Hydraulic Cylinder (28t) for SAF HGV Silentbloc Ø 139mm	1
<i>composed of:</i>			
1	KL-0040-2800	Hydraulic Cylinder (28t)	1
-	KL-1011-110	Pulling Device with Hydraulic Cylinder (28t) for SAF HGV Silentbloc Ø 139mm	1

Pos.	Part No.	Description	Qty
-	KL-1011-110	Pulling Device without Hydr. Cylinder (28t) for SAF HGV Silentbloc Ø 139mm	1
<i>composed of:</i>			
-	KL-1011-111	Set of Sleeves for SAF HGV Silentbloc Ø139 mm	1
-	KL-0040-2841	Pull Spindle M24 with Nut	1

Pos.	Part No.	Description	Qty
-	KL-0040-2841	Pull Spindle M24 with Nut	1
<i>composed of:</i>			
2	KL-0040-2812-3	Clamping Nut, Ø 40mm, M24	1
3	KL-0040-2841-1	Pull Spindle, M24x650mm	1

Pos.	Part No.	Description	Qty
-	KL-1011-111	Set of Sleeves for SAF HGV Silentbloc Ø 139mm	1
<i>composed of:</i>			
4	KL-1011-1103	Support Sleeve	1
5	KL-1011-1104	Cover	1
6	KL-1011-1102	Pressure Piece	1
7	KL-1011-1101	Conical Sleeve, Ø 139mm	1

9. Environmentally Safe Disposal

Recycle/dispose of the pulling device and its packaging material in an environmentally sound manner in compliance with the legal rules and regulations in force.