

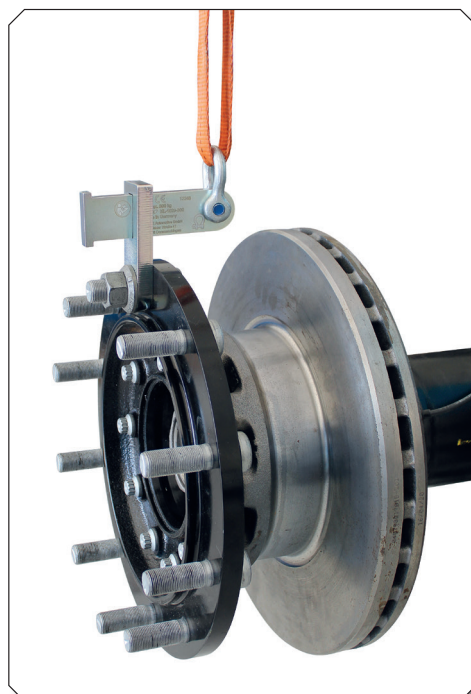


KL-1029-300

Wheel Hub Lifting Tool for Commercial Vehicles



Operating instructions EN
 ⚠ Read and understand before use!



www.gedore-automotive.com



GEDORE Automotive GmbH

Breslauer Straße 41
 78166 - Donaueschingen
 Postfach 1329
 78154 Donaueschingen - GERMANY

☎ +49 (0) 771 / 8 32 23-0
 ☎ +49 (0) 771 / 8 32 23-90
 ✉ info.gam@gedore.com
 🌐 gedore-automotive.com

GEDORE TOOLS, INC.

Only for USA, Canada & Mexico / Sólo para EE.UU., Canadá y México
 Seulement pour les USA, le Canada et le Mexique
 7187 Bryhawke Circle, Suite 700
 North Charleston, SC 29418, USA

☎ +1-843 / 225 50 15
 ☎ +1-843 / 225 50 20
 ✉ info@gedoretools.com
 🌐 gedore.com

Version 1 - 11/2022

1029-300_EN221009.indd



ENGLISH

EN

EN

Manufacturer's address

GEDORE Automotive GmbH

Breslauer Straße 41 // 78166 Donaueschingen - GERMANY

☎ +49 (0)771/83223-71 // ✉ info.gam@gedore.com

Imprint

In the course of improvement and adaptation to the state of the art, we reserve the right to make changes with regard to appearance, dimensions, weights and properties, and performance.

This does not imply any claim to correction or subsequent delivery of already delivered products. Deletions can be made at any time without any legal claim arising.

Instructions for use and safety are not binding. They never substitute for any legal or trade association regulations.

We do not accept any liability for printing errors.

Any reproduction, in whole or in part, requires the prior written consent of **GEDORE Automotive GmbH**.

All rights reserved worldwide. © Copyright by **GEDORE Automotive GmbH**, Donaueschingen (GERMANY)

We refer to our general terms and conditions which
can be found in the imprint at:

www.gedore-automotive.com



Contents

1. FOR YOUR SAFETY	4
1.1 Target group.....	4
1.2 Obligations of the owner.....	4
1.3 Intended use	4
1.4 Reasonably foreseeable misuse	4
1.5 Work environment	4
1.6 Personal protective equipment.....	5
1.7 Labelling of the warnings.....	5
1.8 Basic warnings	5
1.9 Basic safety instructions	6
2. PRODUCT DESCRIPTION	7
2.1 KL-1029-300 - Wheel hub lifting tool for commercial vehicles.....	7
2.2 Scope of delivery / spare parts overview	7
2.3 Specifications.....	7
3. PREPARATION	7
3.1 Checking the scope of delivery	8
3.2 Preparing the tool.....	8
3.3 Preparing the vehicle	8
4. EXAMPLE OF USE	8
5. CARE AND STORAGE	9
6. REPAIR	9
7. ENVIRONMENTALLY FRIENDLY DISPOSAL	9
8. EC DECLARATION OF CONFORMITY / UK DECLARATION OF CONFORMITY	10

EN

1. FOR YOUR SAFETY



Read and understand these operating instructions **before you use** the lifting tool (*wheel hub lifting tool for commercial vehicles*) and observe all safety instructions and warnings! Misuse can result in **DEATH** or **SEVERE INJURIES**! These operating instructions are an integral part of the lifting tool. Keep them at a safe place for future reference, and always pass them on to subsequent users of the lifting tool! The lifting tool complies with the recognised rules of technology as well as the relevant safety regulations!

1.1 Target group

These operating instructions are **exclusively** intended for skilled personnel in specialised motor vehicle workshops!

The lifting tool **may only be** used by skilled personnel in specialised motor vehicle workshops who are familiar with the basic regulations on work safety and accident prevention!

✔ **Never** allow unauthorised, inexperienced persons, minors and children, or persons with limited physical, sensory, and mental abilities to use the lifting tool!

1.2 Obligations of the owner

Pursuant to the German Ordinance on Industrial Safety and Health (*BetrSichV*), employers are obliged to provide their employees with safe work equipment in accordance with the recognised rules of technology and the relevant safety regulations!

✔ The owner of the lifting tool **must** ensure that **only** trained personnel in specialised vehicle workshops use the lifting tool!

✔ The owner of the lifting tool **must** ensure that the instructions for use are available to the user and that the user has completely read and understood the instructions for use **before** using the lifting tool!

✔ The owner of the lifting tool **must** ensure that the user is familiar with the basic regulations on work safety and accident prevention, and that the personal protective equipment is available to him!

1.3 Intended use

The wheel hub lifting tool ...

✔ **may only be used** be used for lifting wheel hubs on commercial vehicles, trailers, and trailer axles!

✔ **may only** be used up to a **max. load of 300kg!**

✔ **may only be used** be used in conjunction with a workshop crane of sufficient lifting capacity with sling or chain!

✔ **may only** with genuine GEDORE Automotive spare parts and accessories!

✔ **may only** be used in the way described in these operating instructions!

⚠ Any other use can result in **DEATH** or **SEVERE INJURIES**!

1.4 Reasonably foreseeable misuse

The wheel hub lifting tool ...

✔ **must never** be used for lifting an axle or a vehicle!

✔ **must never** be used for purposes other than those for which it is intended!

✔ **must never** be used with a bridged, modified, or removed safety device!

✔ **must never** be modified, converted, or used for other purposes without authorisation!

⚠ Use the lifting tool **always** as intended. Any other use can result in **DEATH** or in **SEVERE INJURIES**!

1.5 Work environment

For your safety, **only** use the lifting tool in a safe working environment.

✔ The workplace **must** be clean and tidy.

✔ The workplace **must** be sufficiently large and illuminated.

✔ The workplace **must** be on a solid and non-skidding floor.

✔ The workplace **must** be safeguarded against access of unauthorised persons.

✔ The workplace **must** have room temperature between -10°C and +40°C.

1.6 Personal protective equipment

For your safety, **always** wear personal protective equipment when using the lifting tool! The lifting tool can bring about mechanical hazards, such as crushing, cutting, and shock injuries.



Always wear **EYE PROTECTION** (for example to DIN EN 166, OSHA 29 CFR 1910.133, ANSI Z87) when using the lifting tool to protect yourself against flinging parts or particles!

When using the lifting tool, flinging parts or particles can cause **SEVERE INJURIES** to your **eyes!**



Always wear **PROTECTIVE GLOVES** (for example to DIN EN 388, OSHA 29 CFR 1910.138, ANSI 105) when using the lifting tool to protect yourself against sharp edges and crushing between parts!

When working with the lifting tool, sharp edges and crushing between parts can cause **SEVERE INJURIES** to your **hands!**



Always wear **SAFETY SHOES** (for example to DIN EN ISO 20345, OSHA 29 CFR 1910.136, ANSI Z41) when using the lifting tool to protect yourself against dropping parts!

When working with the lifting tool, dropping parts can cause **SEVERE INJURIES** to your **feet and toes!**

1.7 Labelling of the warnings

Warnings warn of potential **hazards**. **Always** observe these warnings to avoid **DEATH** or **INJURIES!**

For better differentiation, warnings in these operating instructions are classified as follows:	
Warning sign	Meaning
	Indicates a hazardous situation which, if not avoided, could cause DEATH or SEVERE INJURIES .
	Indicates a hazardous situation which, if not avoided, could cause MODERATE or MINOR INJURIES .
	Indicates a situation which, if not avoided, can cause damage to the tool or an object in its vicinity.
	Note on important information and useful tips.

1.8 Basic warnings

WARNING - Danger to life from MISUSE

The lifting tool and the wheel hub can break and fall down or swing around uncontrollably due to **MISAPPLICATION**. This can cause **DEATH** or **SEVERE INJURIES!**

Read and understand these operating instructions **before using** the lifting tool, and observe all safety and warning instructions for **safe use!**

Always work with the lifting tool in accordance with the basic regulations on work safety and accident prevention!

Only use the lifting tool as described in these operating instructions!

Only use the lifting tool with a workshop crane with a sling or chain which is sufficiently dimensioned in terms of load capacity!

Always observe the vehicle-specific application procedures in the repair guide of the vehicle manufacturer!

Always observe the **maximum load** and the safety and warning instructions of the workshop crane!

Never lift/lower the vehicle with a second lifting device while using the lifting tool!

Never use the lifting tool if it is damaged or has loose parts or unauthorised modifications!

Always wear your personal protective equipment (*safety goggles, protective gloves, safety shoes*) during work!

Never hit the lifting tool with a hammer or anything similar!

WARNING - Danger to life from OVERLOAD

OVERLOAD can cause the lifting tool to slip, break, and thus the wheel hub fall down. This can cause **DEATH** or **SEVERE INJURIES!**

Never exceed the **maximum loading capacity** of the lifting tool!

Never lift an axle or a vehicle using the lifting equipment!

Never use the lifting tool if it is damaged or has loose parts or unauthorised modifications!

Always wear your personal protective equipment (*safety goggles, protective gloves, safety shoes*) during work!

⚠ WARNING - Danger of injury from DROPPING

The lifting tool and the wheel hub can **FALL DOWN** during preparation and use. This can cause **DEATH** or **SEVERE INJURIES!**

- ✔ **Always** make sure that the lifting tool set is securely attached to the wheel hub!
- ✔ Assemble the lifting tool **correctly** as described in these operating instructions and mount it correctly and securely to the wheel hub!
- ✔ **Never** leave the lifting tool unattended in loaded condition on the wheel hub!
- ✔ Deposit the lifting tool with wheel hub **securely** against falling down!
- ✔ **Always** carry out **all** work on heavy parts with the help of a second specialist!
- ✔ When mounting the lifting tool, use suitable fasteners which will **safely** and **reliably** support the load even during use!
- ✔ **Always** check that the lifting tool fits tightly and correctly on the wheel hub before lifting!
- ✔ **Always** wear your personal protective equipment (*safety goggles, protective gloves, safety shoes*) during work!

EN

ATTENTION - Risk of DAMAGE

The vehicle, lifting tool, and the wheel hub can be **DAMAGED**.

- ✔ **Always** observe vehicle-specific application procedures in the vehicle manufacturer's repair guide.
- ✔ **Before each use**, check the lifting tool **carefully** for damage, loose parts, or unauthorised modifications. **Never** use it if you notice any such deficiencies!
- ✔ **Never** clamp the lifting tool in a vice.

1.9 Basic safety instructions

For your safety, **always** observe the following safety precautions when using the lifting tool in order to avoid injuries and material damage caused by misuse or unsafe handling.

- ✔ Read and understand these operating instructions **before using** the lifting tool, and observe all safety and warning instructions for **safe use!**
- ✔ **Always** observe the vehicle-specific application procedures in the vehicle manufacturer's repair guide!
- ✔ **Always** work with the lifting tool in accordance with the basic regulations on work safety and accident prevention!
- ✔ **Never** use the lifting tool when you are tired or under the influence of alcohol, drugs, or medication!
- ✔ **Before each use**, check the lifting tool **carefully** for damage, loose parts, or unauthorised modifications. **Never** use it if you notice any such deficiencies!
- ✔ Use **only genuine GEDORE Automotive** spare parts and accessories!
- ✔ **Before using** the lifting tool, make sure that **no** unauthorised persons are in the immediate environment!
- ✔ **Always** observe the **max. loading capacity** when using the lifting tool, and **never** exceed it!
- ✔ **Only** use the lifting tool with a workshop crane with a sling or chain which is sufficiently dimensioned in terms of load capacity!
- ✔ **Never** lift/lower the vehicle with a second lifting device while using the lifting tool on the vehicle. Put other lifting equipment out of operation and secure it against unintentional restart!
- ✔ **Always** wear your personal protective equipment (*safety goggles, protective gloves, safety shoes*) during work!
- ✔ Interrupt your work **immediately** if you are unsure about using the lifting tool, and contact **GEDORE Automotive GmbH if necessary!**
- ✔ For safety reasons, ensure that a damaged lifting tool is no longer used! Professional inspection and repair may only be carried out by specially trained personnel from **GEDORE Automotive GmbH!**
- ✔ **Always** use the lifting tool as intended. Non-compliance will invalidate any warranty claim and may significantly reduce its durability!

2. PRODUCT DESCRIPTION

2.1 KL-1029-300 - Wheel hub lifting tool for commercial vehicles

Fits universally for commercial vehicles and trailers.

The wheel hub lifting tool enables easy and back-friendly lifting of heavy wheel hubs of commercial vehicle and trailer axles with the aid of a workshop crane and without the assistance of a second person.

The lifting tool can be infinitely adjusted to keep the wheel hub exactly in balance. Advantageous e.g. for disassembling and assembling the wheel hub as well as for changing brake discs.

2.2 Scope of delivery/component overview

Item	Part no.	Description	Qty.
A	KL-1029-3003	Shackle	1
B	KL-1029-3002	Mounting plate	1
C	KL-1029-3001	Base plate	1



2.3 Specifications

Maximum load capacity: 300kg
 Max. wheel bolt diameter: 22mm
 Weight: 1.1kg



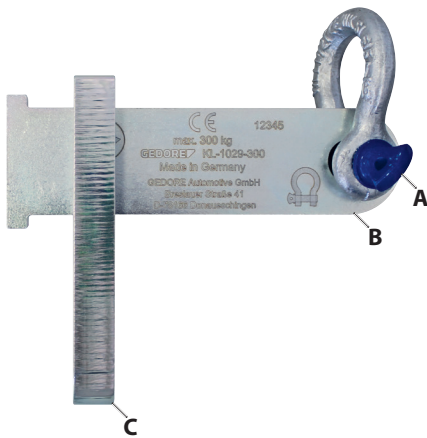
3. PREPARATION

⚠ WARNING

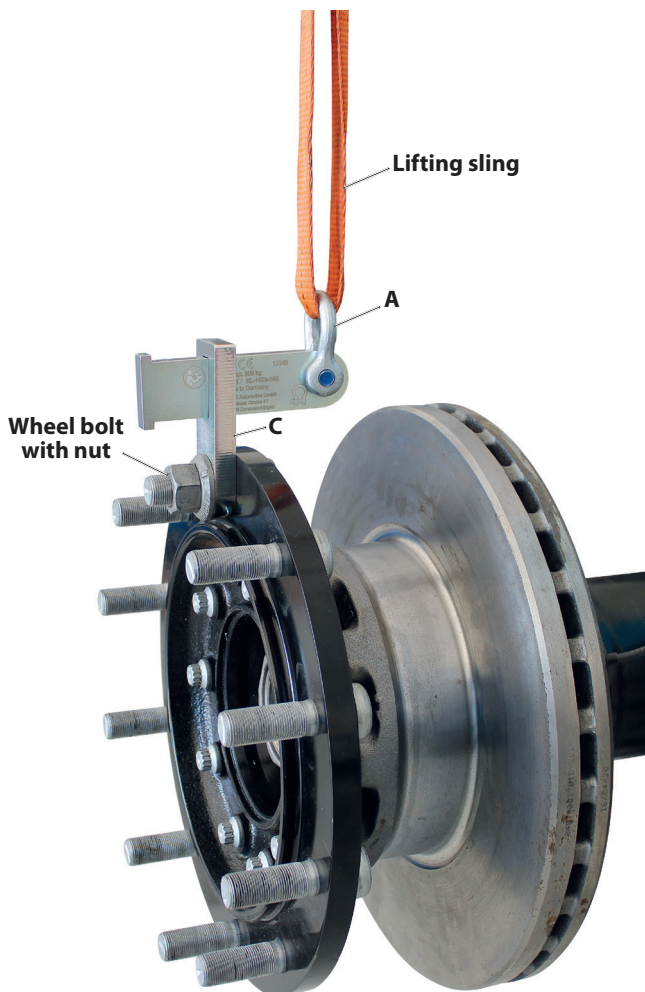
The lifting tool can break when **misused** or **overloaded** and thus fall down together with the wheel hub. This can cause **DEATH** or **SEVERE INJURIES!**

- ✔ **Prior to using** the lifting tool, read and understand **all** safety instructions and warnings listed in **Chapter 1**, and **always observe** them **for safe use!**
- ✔ Use the lifting tool **as intended** and **always** carry out maintenance and repair work in compliance with the regulations on occupational safety and accident prevention as well as the vehicle manufacturer's instructions!
- ✔ **Before each use**, check the lifting tool **carefully** for damage, loose parts, or unauthorised modifications. **Never** use it if you notice any such deficiencies!
- ✔ **Always** wear your personal protective equipment (for example *safety goggles, protective gloves, safety shoes*) when working!

📷 1: Preparing the lifting tool.



📷 2: Screwing the lifting tool to the wheel hub.



3.1 Checking the scope of delivery

Prior to preparing or using the lifting tool, check that all parts of the scope of delivery are available (*see chapter 2.*), and follow the instructions below.

3.2 Preparing the tool

⚠️ WARNING

The lifting tool with wheel hub can fall down when incorrectly assembled. This can cause **SEVERE INJURIES!**

- ▶ **Only** insert the shackle in the hole indicated by the symbol!
- ▶ **Always** screw in the safety bolt on the shackle [A] completely and securely!

1. Assemble the lifting tool as shown in 📷 1.

3.3 Preparing the vehicle

1. Safely lift the vehicle and prepare all necessary parts for the following work in accordance with the manufacturer's instructions.

4. TYPICAL APPLICATION

This typical application describes how to lift a wheel hub with brake disc using a workshop crane and sling on a commercial vehicle axle.

⚠️ WARNING

The lifting tool and the wheel hub can fall down if assembled incorrectly. This can cause **DEATH** or **SEVERE INJURIES!**

- ▶ Attach the lifting tool exclusively to the wheel bolts of the wheel hub!

1. Bolt the lifting tool in the correct position as shown in 📷 2 via the base plate [C] to one of the wheel bolts on the wheel hub.

📌 Tighten the wheel nut with a minimum of 25Nm.

⚠️ WARNING

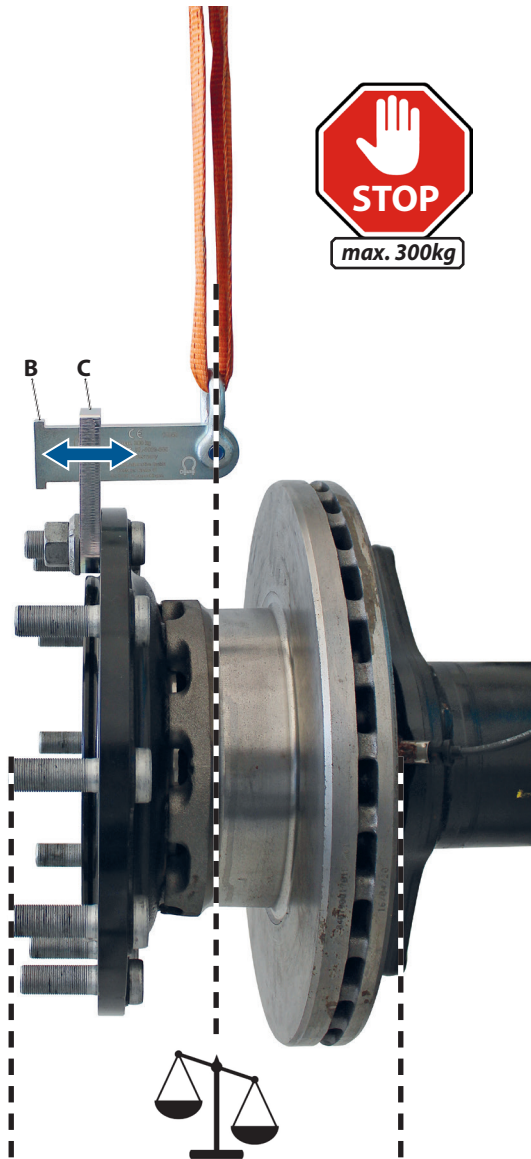
The lifting tool with wheel hub may fall down if an unsuitable motor crane with sling or chain is used. This can cause **DEATH** or **SEVERE INJURIES!**

- ▶ **Always** use the lifting tool with a workshop crane and a sling or chain which is dimensioned in terms of load capacity!

- ▶ **Never** lift/lower the vehicle with a second lifting device while using the lifting tool on the vehicle!

2. Suspend the lifting tool securely from a workshop crane to the shackle [A] using a lifting sling or chain.

📹 4: Bring wheel hub with brake disc into balance and lift it.



⚠️ WARNING

Overload can cause the lifting tool to slip, break, and can drop together with the wheel hub. The wheel hub can swing around uncontrollably if the lifting tool is misused. This can cause **DEATH** or **SEVERE INJURIES!**

- ✔ **Before** lifting, bring the wheel hub into balance using the lifting tool!
- ✔ **Never** exceed the lifting tool's maximum load of 300kg.
- ✔ **Never** lift an axle or a vehicle using the lifting equipment!
- ✔ **Always** observe the maximum load, safety and warning instructions of the workshop crane with sling or chain!
- ✔ **Never** lift/lower the vehicle with a second lifting device while using the lifting tool on the vehicle. Put other lifting equipment out of operation and secure it against unintentional restart!

✔ **Always** wear your personal protective equipment (safety goggles, protective gloves, safety shoes) during work!

3. To keep the wheel hub with brake disc in balance when lifting, the lifting tool must first be levelled.

To do this, move the mounting plate [B] to the base plate [C] as shown in **📹 4** and lift the wheel hub slightly.

❗ If the wheel hub with brake disc is not in balance when lifted, lower it again and balance it once more.

4. Perform the further work on the vehicle as specified by the manufacturer.

5. CARE AND STORAGE

ATTENTION

Improper care and storage can damage the lifting tool. Therefore, **never** immerse it in water, solvents, or other cleaning liquids. After use, clean all parts **only** with a dry and clean cleaning cloth. To protect against corrosion, rub all metal parts with a tool care oil or wax. Store the lifting tool and the operating instructions at a dry and clean place.

6. REPAIR

⚠️ WARNING

For safety reasons, ensure that a damaged lifting tool is no longer used for safety reasons! Professional inspection and repair may only be carried out by specially trained experts from **GEDORE Automotive GmbH**. Improper repair can result in **DEATH** or **SEVERE INJURIES**.

7. ENVIRONMENTALLY COMPLIANT DISPOSAL

Dispose of the lifting tool and the packaging material in an environmentally compatible way in accordance with the legal requirements. If necessary, ask your local authorities about environmentally friendly disposal options.

8. EC DECLARATION OF CONFORMITY / UK DECLARATION OF CONFORMITY

EC DECLARATION OF CONFORMITY (Translation of the EC Declaration of Conformity)

in accordance with EC Directive 2006/42/EC, Annex II A

Name and address of the manufacturer

GEDORE Automotive GmbH
Breslauer Straße 41
78166 Donaueschingen, GERMANY

We hereby declare that the product described below

Designation: Wheel hub lifting tool for commercial vehicles

Series / type: KL-1029-300

complies with all relevant provisions of the *Machinery Directive 2006/42/EC*.

The declaration loses its validity if the product is converted or modified without our consent.

Applied harmonised EN standards:

EN ISO 12100:2010 - *Safety of machinery - General principles for design - Risk assessment and risk reduction*

EN 1494:2000+A1:2008 - *Mobile or movable jacks and associated lifting equipment*

EN 13155:2003+A2:2009 - *Crane - Safety - Non-fixed load lifting attachments*

Other technical standards and specifications applied:

EN IEC/IEEE 82079-1:2020 - *Preparation of information for use (instructions for use) of products - Part 1: Principles and general requirements*

DGUV regulation GS-OA 14 - *Principles for tests and certification of machines and equipment for vehicle maintenance*

DGUV regulation 109-009 - *Vehicle maintenance*

Authorised representative of GEDORE Automotive GmbH for the compilation of all technical documents:

Head of product development, Breslauer Straße 41, 78166 Donaueschingen, GERMANY

Donaueschingen, 26 October 2022



ppa. Michael Wehler, Head of Global Business Development, GEDORE Automotive GmbH

UK DECLARATION OF CONFORMITY (Original UK Declaration of conformity)

in terms of The Supply of Machinery (Safety) Regulations 2008, Annex II 1A

Name and address of manufacturer

GEDORE Automotive GmbH
Breslauer Straße 41
78166 Donaueschingen, GERMANY

We hereby declare that the product described below

Designation: Wheel hub lifting tool for commercial vehicles

Series / type: KL-1029-300

conforms to all relevant provisions of the Supply of Machinery (Safety) Regulations 2008.

The declaration loses its validity if the product is converted or modified without our consent.

Designated (GB) or harmonised (NI) standards applied:

EN ISO 12100:2010 - *Safety of machinery - General principles for design - Risk assessment and risk reduction*

EN 1494:2000+A1:2008 - *Mobile or movable jacks and associated lifting equipment*

EN 13155:2003+A2:2009 - *Crane - Safety - Non-fixed load lifting attachments*

Other technical standards and specifications applied:

EN IEC/IEEE 82079-1:2020 - *Preparation of information for use (instructions for use) of products - Part 1: Principles and general requirements*

Authorised representative for compiling the technical documents:

GEDORE Torque Ltd. / Tannery Ln, Gosden Common / Guildford GU5 0AJ, United Kingdom

Donaueschingen, 26 October 2022



ppa. Michael Wehler, Head of Global Business Development, GEDORE Automotive GmbH

GEDORE-Werkzeugfabrik GmbH & Co. KG

Remscheider Straße 149
42899 - Remscheid
Postfach 120361
47873 Remscheid
GERMANY

Vertrieb DEUTSCHLAND

☎ +49 (0) 2191 / 596-0
☎ +49 (0) 2191 / 596-230
✉ info@gedore.com
🌐 www.gedore.com

Sales INTERNATIONAL

☎ +49 (0) 2191 / 596-910
☎ +49 (0) 2191 / 596-911
✉ info@gedore.com
🌐 www.gedore.com

GEDORE TOOLS, INC.

Only for USA, Canada & Mexico
Sólo para EE.UU., Canadá y México
Seulement pour les USA, le Canada et le Mexique
7187 Bryhawke Circle, Suite 700, North Charleston, SC 29418, USA

☎ +1-843 / 225 50 15
☎ +1-843 / 225 50 20
✉ info@gedoretools.com
🌐 www.gedoretools.com

Worldwide GEDORE service centers and offices are listed on the Internet at: www.gedore.com

GEDORE Automotive GmbH

Breslauer Straße 41
78166 - Donaueschingen
Postfach 1329
78154 Donaueschingen
GERMANY

Vertrieb DEUTSCHLAND

☎ +49 (0) 771 / 8 32 23-0
☎ +49 (0) 771 / 8 32 23-90
✉ info.gam@gedore.com
🌐 gedore-automotive.com



www.gedore-automotive.com