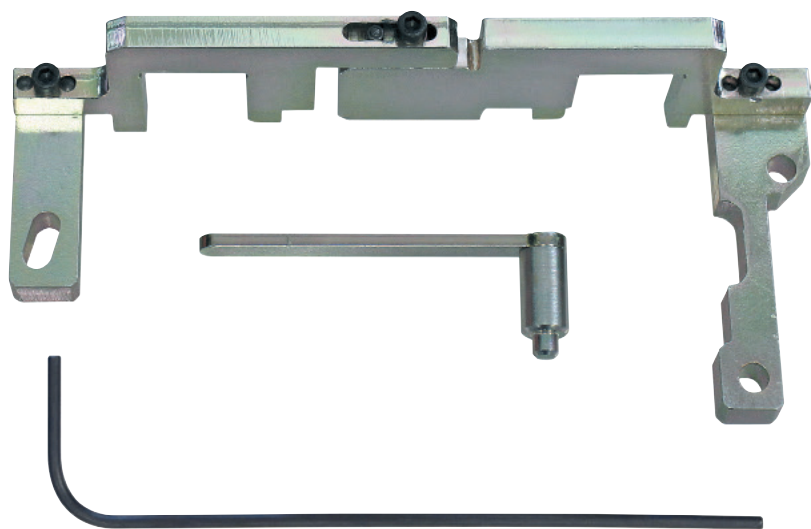




KL-1380-753 KB Locking Tool Set, PSA

Produktinformation (Original) DE
⚠ Vor Verwendung, lesen und verstehen!



www.gedore-automotive.com



GEDORE Automotive GmbH

Breslauer Straße 41
78166 - Donaueschingen
Postfach 1329
78154 Donaueschingen - GERMANY

☎ +49 (0) 771 / 8 32 23-0
☎ +49 (0) 771 / 8 32 23-90
✉ info.gam@gedore.com
🌐 gedore-automotive.com

GEDORE TOOLS, INC.

Only for USA, Canada & Mexico / Sólo para EE.UU., Canadá y México
Seulement pour les USA, le Canada et le Mexique
7187 Bryhawke Circle, Suite 700
North Charleston, SC 29418, USA

☎ +1-843 / 225 50 15
☎ +1-843 / 225 50 20
✉ info@gedoretools.com
🌐 gedore.com

Version 1 - 11/2021

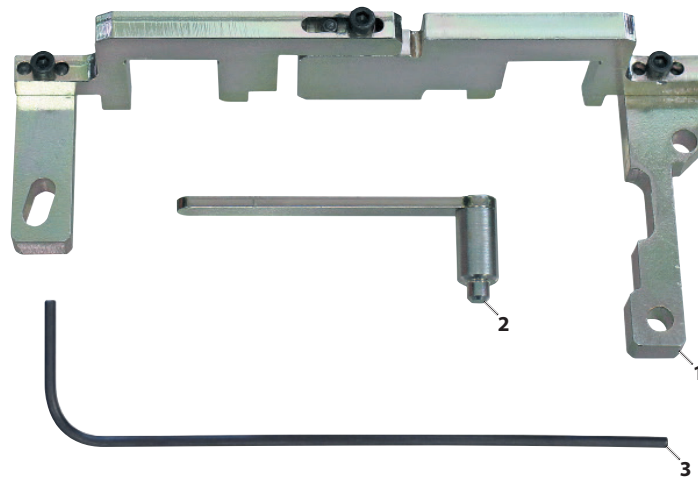
1380-753KB_EN200701.indd

Product description

Applicable to Citroën, Peugeot, Opel/Vauxhall 1.0 and 1.2 litre (3-cylinder) petrol engines as fitted to: Citroën C1 II, C3 III, C4 Cactus, C4II, DS4, DS3, C-Elysee; Peugeot 108, 208, 301, 308, 308 II, 2008 and Opel/Vauxhall Crossland X, Grandland X. Engine codes: EB0 [ZMZ], EB2, EB2 [HMT], EB2 [HMW], EB2 [HMZ], EB2D [HMT], EB2DT, EB2DT [HNZ], EB2DTS [HNY], EB2F [HMZ], EBF2 [HMZ])

Alternative tool: Peugeot + Citroën 0109-2, 0109-2A, 0109-2B, 0188-Q1, 0197-N; Opel EN-52127-1, EN-52127-2

Designed for the locking of camshafts and crankshaft. An indispensable tool set when changing a timing belt or performing an engine repair.



Scope of delivery / component overview:

| Pos. | Part no. | Description | Qty | OEM Alternative tool |
|------|----------------|----------------------------|-----|---------------------------------|
| 1 | KL-1380-7531 A | Locking Plate for Camshaft | 1 | 0109-2A // 0109-2* ¹ |
| 2 | KL-1380-7532 | Locking Pin, Ø 14/7.7mm | 1 | 0109-2B // 0109-2* ¹ |
| 3 | KL-1380-2603 | Locking Pin, Ø 4mm, angled | 1 | 0188-Q1 |
| - | KL-1380-7539 | Plastic Storage Case | 1 | |

*¹ 0109-2 consists of: KL-1380-7531 A + KL-1380-7532

Specifications:

Weight: 1.8kg

⚠ Safety instructions and regulations

- ▣ **Before using** the special tools, read and understand all safety instructions and **follow** them for **safe use!**
- ▣ Use the special tools **as intended** and **always** carry out maintenance and repair work in compliance with the regulations on occupational safety and accident prevention as well as the vehicle manufacturer's instructions!
- ▣ **Prior to each use**, check the special tools **carefully** for damage, loose parts or unauthorised modifications. **Never** use it if you notice any such deficiencies!
- ▣ **Always** wear your personal protective equipment (for example safety goggles, protective gloves, safety shoes) when working!