

# GEDORE

TOOLS FOR LIFE

## Locking Tool Set



**KL-0680-25 A**



6e090353\_g.docx

### GEDORE Automotive GmbH

Breslauer Straße 41  
78166 Donaueschingen

Postfach 1329  
78154 Donaueschingen - GERMANY

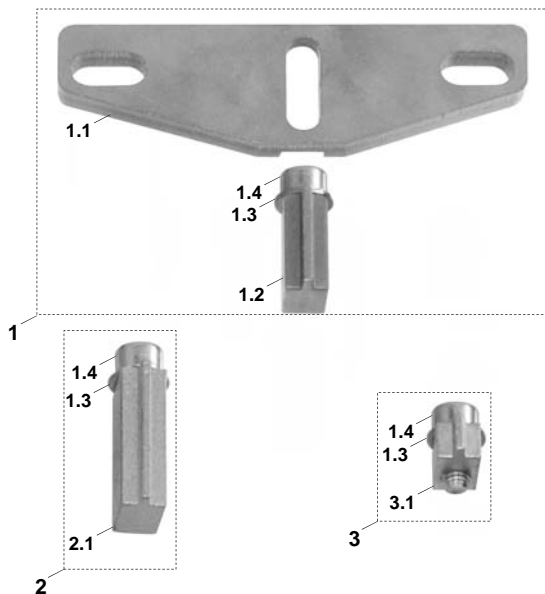
Tel.: +49 (0) 771 / 8 32 23-0  
Fax: +49 (0) 771 / 8 32 23-90

E-Mail: [info@gedore-automotive.com](mailto:info@gedore-automotive.com)  
Internet: [www.gedore-automotive.com](http://www.gedore-automotive.com)

**KL-0680-25 A**



**Specification: KL-0680-25 A**



**Warnings and Notes**

- Do not operate the engine whilst the locking tool set **KL-0680-25 A** is still installed.
- Any work on engines should only be performed by qualified personnel observing and complying with the directions, provisions, and safety regulations issued by the vehicle manufacturer.
- Only the vehicle manufacturer's data apply to all work done on the vehicle.
- All specific vehicle data stated herein are supplied under reserve..

**KL-0680-25 A Locking Tool Set**

Suitable for Ford 1.6 Ti-VCT TwinCam Duratec Petrol Engines and 1.8 TDi / TDdi / TDCi as well as 2.0 TDCi Diesel engines e.g. Ford Fiesta/Courier, Focus/C-Max, Tourneo Connect, Mondeo, S-Max, Galaxy and Transit Connect.

**Field of Application**

This tool is designed to lock the flywheel while loosening or tightening the crankshaft pulley fixing screws or for locking and/or positioning crankshafts while replacing timing belts or during engine repairs.

**Advantages**

- Safe and accurate positioning of the crankshaft.
- Substantial time savings.
- All components are available as spare parts

**Specification**

Pos.	Part No.	Description	Qty.
	<b>KL-0680-25 A</b>	<b>Locking Tool Set Ford</b>	<b>1</b>
<i>consists of:</i>			
1	KL-0680-1058 A	Locking tool for flywheel with adaptor "1.8 Diesel"	1
2	KL-0680-2502 A	Adaptor 1.6 Ti-VCT	1
3	KL-0680-2501 A	Adaptor 2.0 TDCi	1

Pos.	Part No.	Description	Qty.
1	KL-0680-1058 A	Locking tool for flywheel with adaptor "1.8 Diesel"	1
<i>consists of:</i>			
1.1	KL-0680-1058-1	Base plate	1
1.2	KL-0680-1058-2	Adaptor 1.8 D	1
1.3	KL-0035-0004	U-disc Ø8 mm	1
1.4	KL-1615-1128	Hexagon socket screw M8 x 16	1

Pos.	Part No.	Description	Qty.
2	KL-0680-2502 A	Adaptor 1.6 Ti-VCT	1
<i>consists of:</i>			
2.1	KL-0680-2502-1	Adaptor "1.6 Ti-VCT"	1
1.3	KL-0035-0004	U-disc Ø8 mm	1
1.4	KL-1615-1128	Hexagon socket screw M8 x 16	1

Pos.	Part No.	Description	Qty.
3	KL-0680-2501 A	Adaptor 2.0 TDCi	1
<i>consists of:</i>			
3.1	KL-0680-2501-1	Adaptor "2.0 TDCi"	1
1.3	KL-0035-0004	U-disc Ø8 mm	1
1.4	KL-1615-1128	Hexagon socket screw M8 x 16	1