

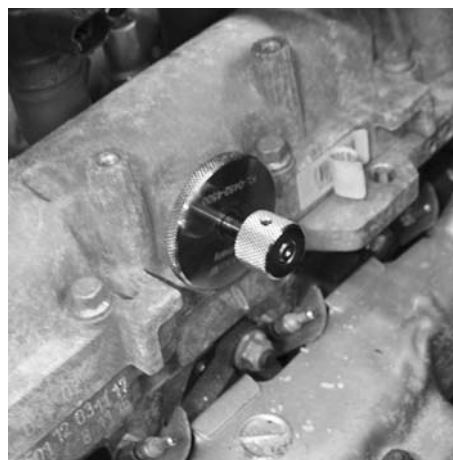
GEDORE

TOOLS FOR LIFE

Locking Tool Set



KL-0482-45 K



6e090356_g.docx

GEDORE Automotive GmbH

Breslauer Straße 41
78166 Donaueschingen

Postfach 1329
78154 Donaueschingen - GERMANY

Tel.: +49 (0) 771 / 8 32 23-0
Fax: +49 (0) 771 / 8 32 23-90

E-Mail: info@gedore-automotive.com
Internet: www.gedore-automotive.com

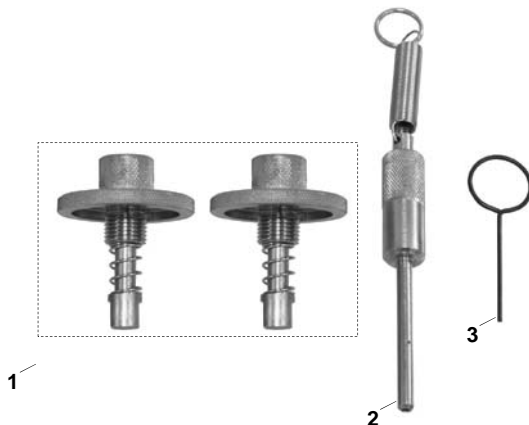
KL-0482-45 KA



Samples of application: Locking the camshafts.



Specification KL-0482-45 KA



KL-0482-45 KA Locking Tool Set

Suitable for Opel 1.3 CDTi diesel engines (Z13DT)
e.g. Corsa etc.

Field of Application

Required to prevent the engine shafts (e.g. camshafts, crankshaft) from turning or to keep them in a specific position and to lock the timing chain tensioner when changing a timing chain or during other engine repairs.

Advantage

- Safe and accurate positioning of the timing chain tensioner and of engine shafts such as camshafts and crankshafts.
- Substantial time savings.

Warnings and Notes

- The Locking Tool Set **KL-0482-45 KA** is designed to lock engine shafts only. It must **not** be used for loosening the crankshaft or camshaft central screw.
- Any work on engines should only be performed by qualified personnel observing and complying with the directions, provisions, and safety regulations issued by the vehicle manufacturer.
- Only the vehicle manufacturer's data apply to all work done on the vehicle.
- All specific vehicle data stated herein are supplied without commitment.

Specification

Pos.	Part No.	Description	Qty.
	KL-0482-45 KA	Locking Tool Kit	1
<i>consists of:</i>			
1	KL-0482-450 A	Locking tool for camshaft (2 pcs.)	1
2	KL-0482-451 A	Locking pin for crankshaft Ø 6 mm	1
3	KL-0180-3024	Retaining pin Ø 2.4 mm	1
	KL-0482-4590 A	Plastic case	1