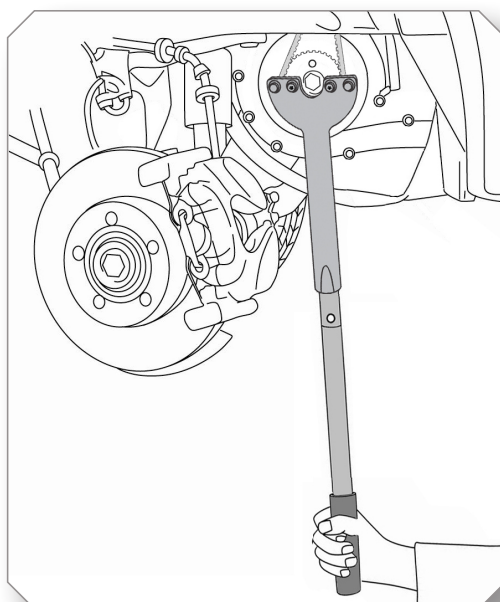




## KL-0184-021 /-022 /-025 Counterholding Spanner VW-Audi



**Product information** EN  
 ⚠ Read and understand before use!



[www.gedore-automotive.com](http://www.gedore-automotive.com)



**GEDORE Automotive GmbH**

Breslauer Straße 41  
 78166 - Donaueschingen  
 Postfach 1329  
 78154 Donaueschingen - GERMANY

☎ +49 (0) 771 / 8 32 23-0  
 ☎ +49 (0) 771 / 8 32 23-90  
 ✉ info.gam@gedore.com  
 🌐 gedore-automotive.com

**GEDORE TOOLS, INC.**

Only for USA, Canada & Mexico / Sólo para EE.UU., Canadá y México  
 Seulement pour les USA, le Canada et le Mexique  
 7187 Bryhawke Circle, Suite 700  
 North Charleston, SC 29418, USA

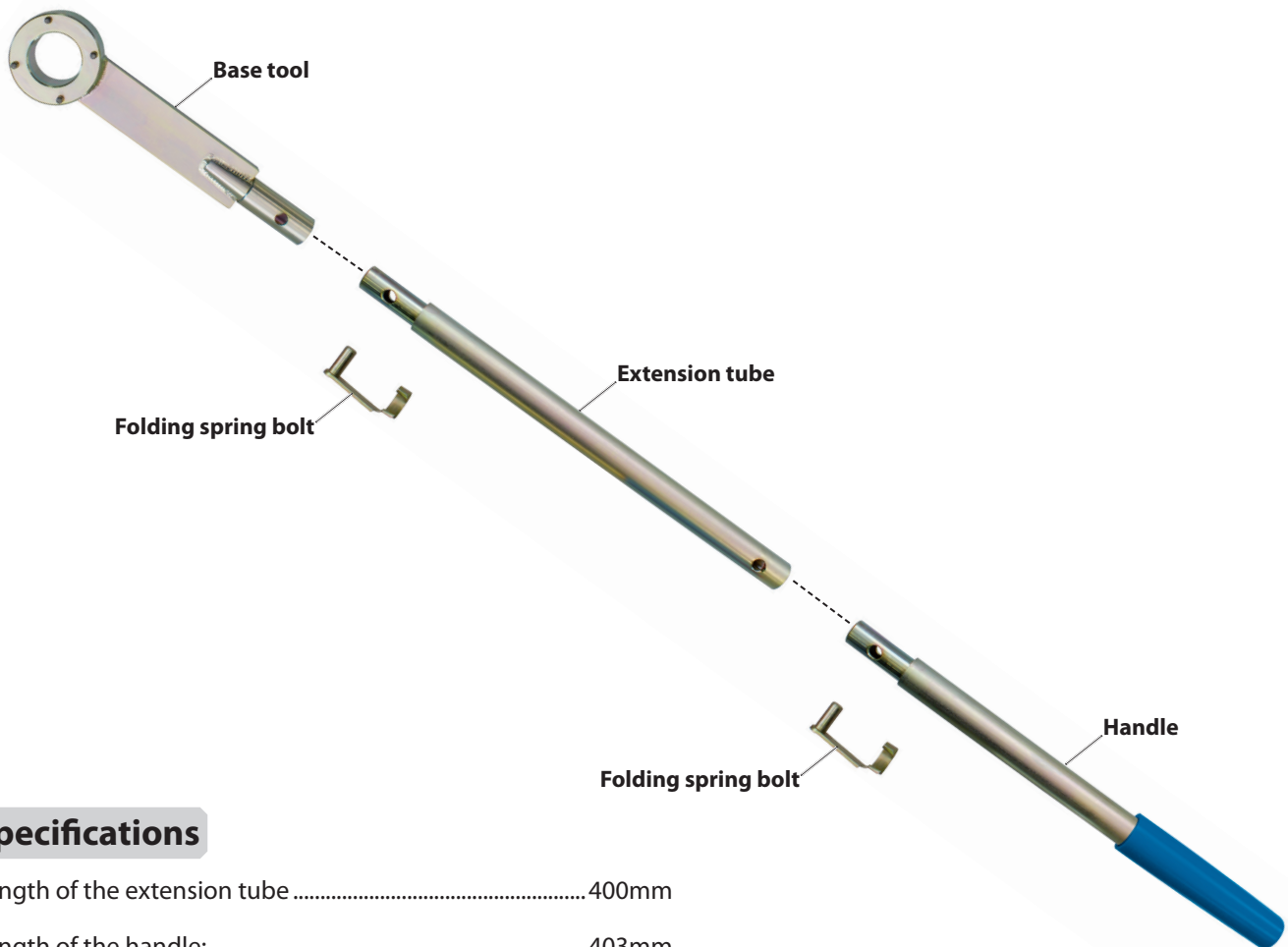
☎ +1-843 / 225 50 15  
 ☎ +1-843 / 225 50 20  
 ✉ info@gedoretools.com  
 🌐 gedore.com

Version 11/2023

**PRODUKTBESCHREIBUNG**

**KL-0184-.. - Counterholding spanners**

① This overview basically shows how to assemble the counterholding spanner.  
Before use, check that all parts included in the scope of delivery are present!



**Specifications**

Length of the extension tube ..... 400mm

Length of the handle: ..... 403mm

**⚠ SAFETY INSTRUCTIONS AND REGULATIONS**

- ✔ Read and understand this product information **before using** the special tool, as it serves to familiarise you with the special tool and thus ensures **safe use!**
- ✔ Use the special tool **as intended** and **always** carry out maintenance and repair work in compliance with the regulations on occupational safety and accident prevention as well as the vehicle manufacturer's instructions!
- ✔ **Before each use**, check the special tool **carefully** for damage, loose parts, or unauthorised modifications. **Never** use it if you notice any such deficiencies!
- ✔ **Always** wear your personal protective equipment, e.g. safety goggles, protective gloves, safety shoes, if necessary!
- ✔ Interrupt your work **immediately** if you are unsure about using the special tool, and contact **GEDORE Automotive GmbH if necessary!**
- ✔ Dispose of the special tool and its packaging material in an environmentally compatible way in accordance with the legal requirements. If necessary, ask your local authorities or **GEDORE Automotive GmbH** about environmentally friendly disposal options!

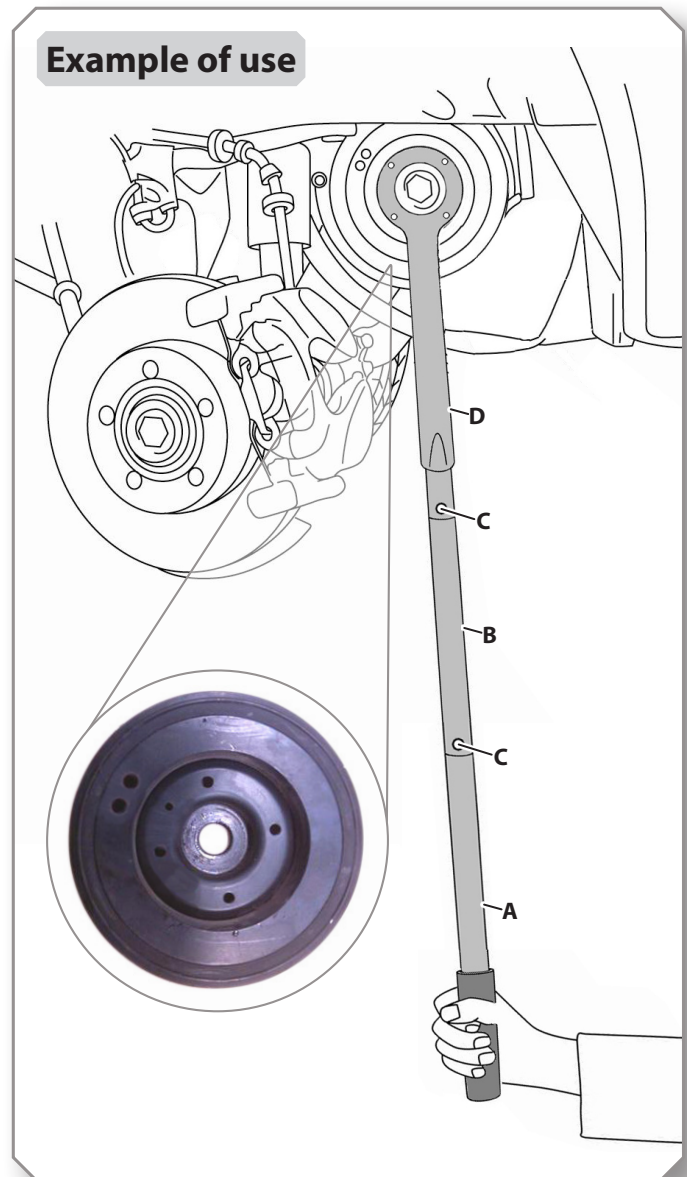
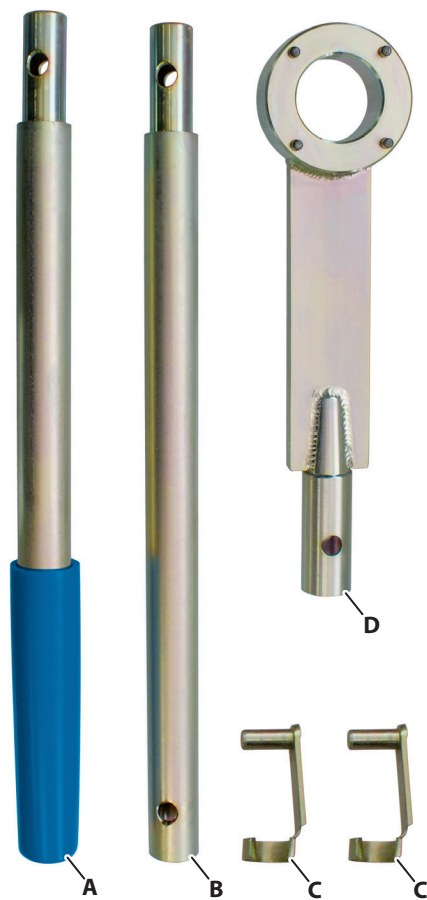
**KL-0184-025 - Counterholding spanner with pins**

Suitable for VW-Audi, Seat, Skoda vehicles equipped with either a 1.8 or 2.0 TSI / TFSI engine;

such as: VW Golf, Eos, Jetta, Passat, Passat CC, Scirocco, Sharan, Tiguan; Audi A3, A4, A5, Q5, TT; Seat Toledo, Altea/Altea XL, Exeo, Leon; Skoda Octavia II, Superb II, Yeti..

(Engine Code: BYT, BZB, CABA, CABB, CABD, CAWA, CAWB, CBFA, CCTA, CCZA, CCZB, CCZC, CDAA, CDAB, CDHA, CDHB, CDNB, CDNC, CDND, CESA, CETA, CFKA, CGYA, CJSA, CJSB)

This tool is used to counterhold the vibration damper while loosening and tightening the crankshaft central screw.



EN

**Scope of delivery/single part overview**

Pos.	Part no.	Description	Qty.
-	<b>KL-0184-025</b>	<b>Counterholding spanner with pins</b>	<b>1</b>
A	KL-0184-0101	Handle	1
B	KL-0184-0102	Extension tube	1
C	KL-0184-0103	Folding spring bolt	2
D	KL-0184-0250	Base tool with pins	1

**Specifications**

Length of base tool:..... 276mm

Overall length (of the assembled tool):..... 980mm

## KL-0184-021 - Counterholding spanner

Suitable for use on VW-Audi 2.4 and 2.5litre 4- and 5-cylinder engines, both with and without vibration damper as found on VW Crafter, T4. (Engine codes: AJA, BJJ, BJK, BJL, BJM, CEBA, CEBB, CECA, CECEB)

This tool is designed to counter-hold the crankshaft pulley while loosening or tightening the crankshaft central screw.

Indispensable when replacing timing belts, sealing rings or fly-wheels, as well as during engine repairs.

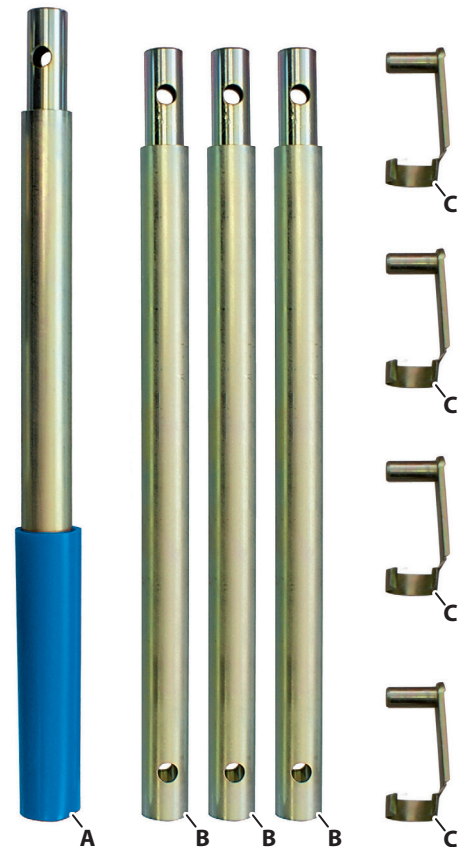
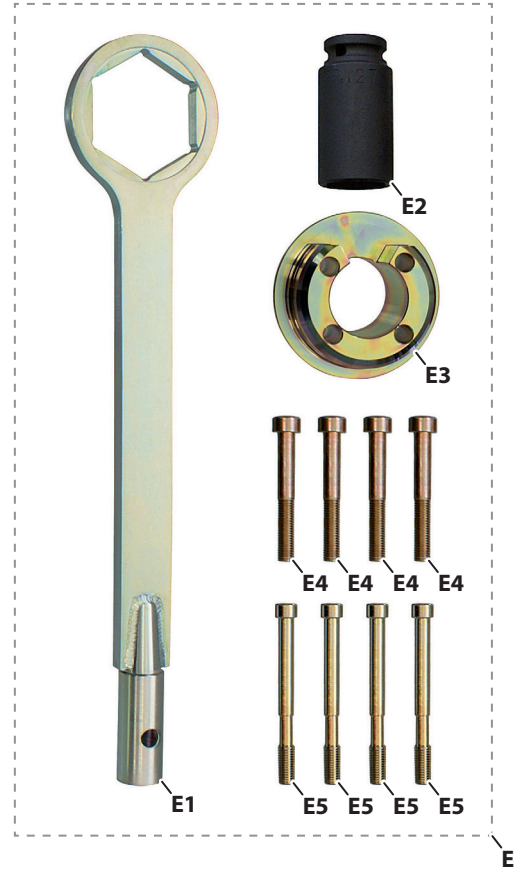
### Recommended accessory:

**KL-4007-311** - Swivel Head Breaker Bar for loosening very tight/stuck screws.

EN

### Scope of delivery/single part overview

Pos.	Part no.	Description	Qty.
-	KL-0184-021	Counterholding spanner, VW	1
A	KL-0184-0101	Handle	1
B	KL-0184-0102	Extension tube	3
C	KL-0184-0103	Folding spring bolt	4
E	KL-0184-0210	Base tool with Adapter	1
E1	KL-0184-211	Counterholding spanner (base tool)	1
E2	KL-0284-62	Hexagon socket spanner	1
E3	KL-0284-6101	Adapter	1
E4	KL-0284-6106	Cheese Head Screw M8 x 65mm	4
E5	KL-0284-6102	Special Cheese Head Screw M8	4



### Specifications

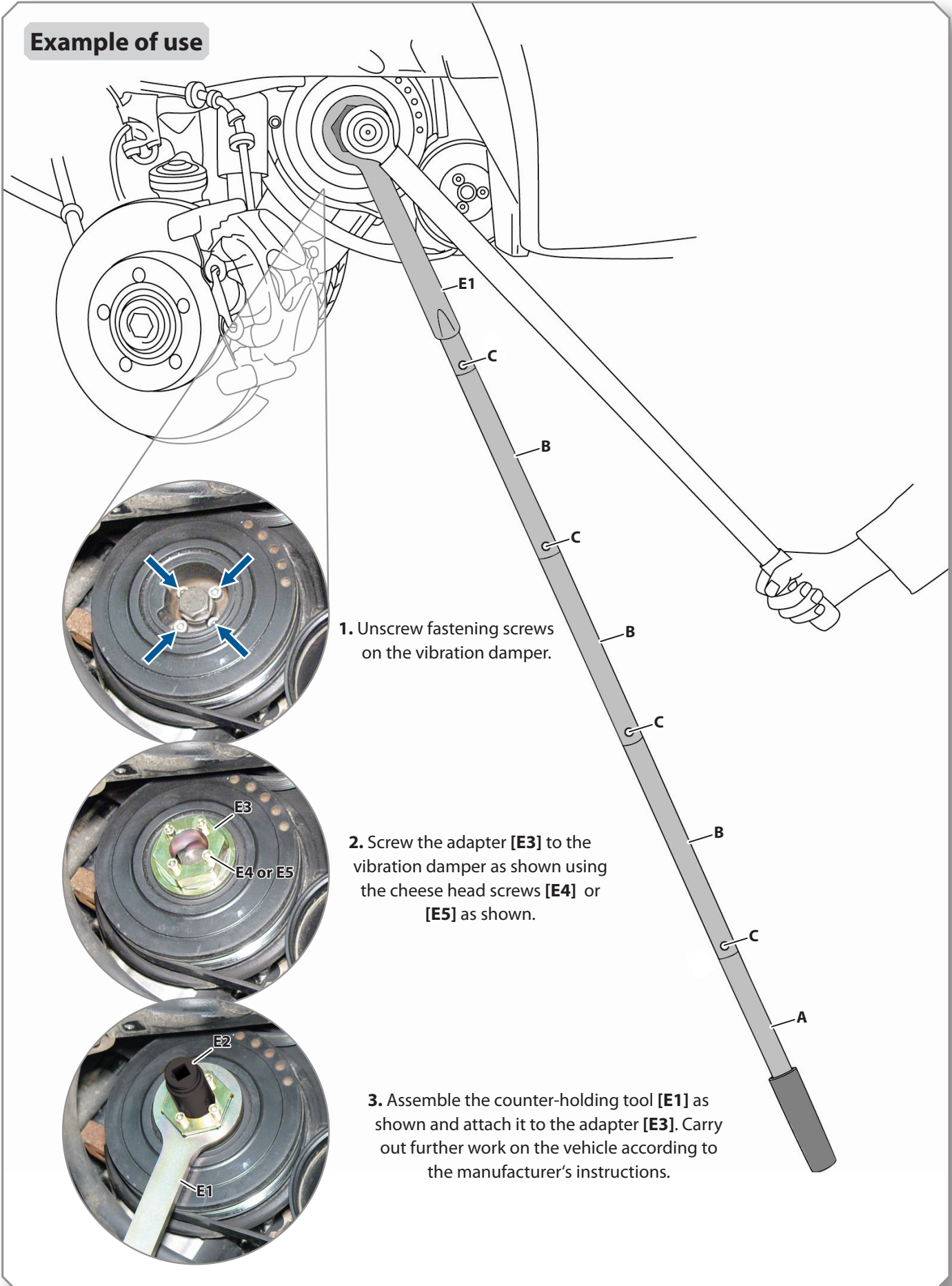
Length of base tool:..... 401mm

Overall length (of the assembled tool):..... 1800mm

Drive of Hexagon socket spanner:..... 1/2"



**Example of use**



1. Unscrew fastening screws on the vibration damper.

2. Screw the adapter [E3] to the vibration damper as shown using the cheese head screws [E4] or [E5] as shown.

3. Assemble the counter-holding tool [E1] as shown and attach it to the adapter [E3]. Carry out further work on the vehicle according to the manufacturer's instructions.

## KL-0184-022 - Counterholding spanner with bolts

Universal application.

Essential tool for VW-Audi, Seat and Skoda 1.2, 1.4 and 1.6 petrol engines with 2- or 4-valve technology, as well as for Skoda 1.9 SDI Diesel engines. Fitted to: VW Beetle, Bora, Caddy/Caddy Maxi, Eos, Fox, Golf, Golf Plus, Golf VI Cabrio, Jetta, Lupo, Passat, Polo, Scirocco, Sharan, Tiguan, Touran; Audi A1, A2, A3, A3 Convertible; Seat Alhambra, Altea/Altea XL, Arosa, Cordoba, Ibiza, Inca, Leon, Toledo; Skoda Fabia, Fabia II, Octavia II, Octavia/Octavia Tour, Praktik, Roomster, Superb II, Yeti.

Engine codes: AFK, AHW, APE, AQQ, ARR, ASY, AUA, AUB, AUS, AVY, AWY, AXP, AXU, AZD, AZQ, BAD, BAG, BBM, BBY, BBZ, BCA, BCB, BKG, BKY, BLF, BLG, BLN, BLP, BMD, BME, BMY, BTS, BUD, BWK, BXW, BZG, CAVA, CAVB, CAVC, CAVD, CAVE, CAVF, CAVG, CAXA, CAXC, CBZA, CBZB, CDGA, CGGA, CGGB, CGPA, CGPB, CHFA, CHFB, CKMA, CMAA)

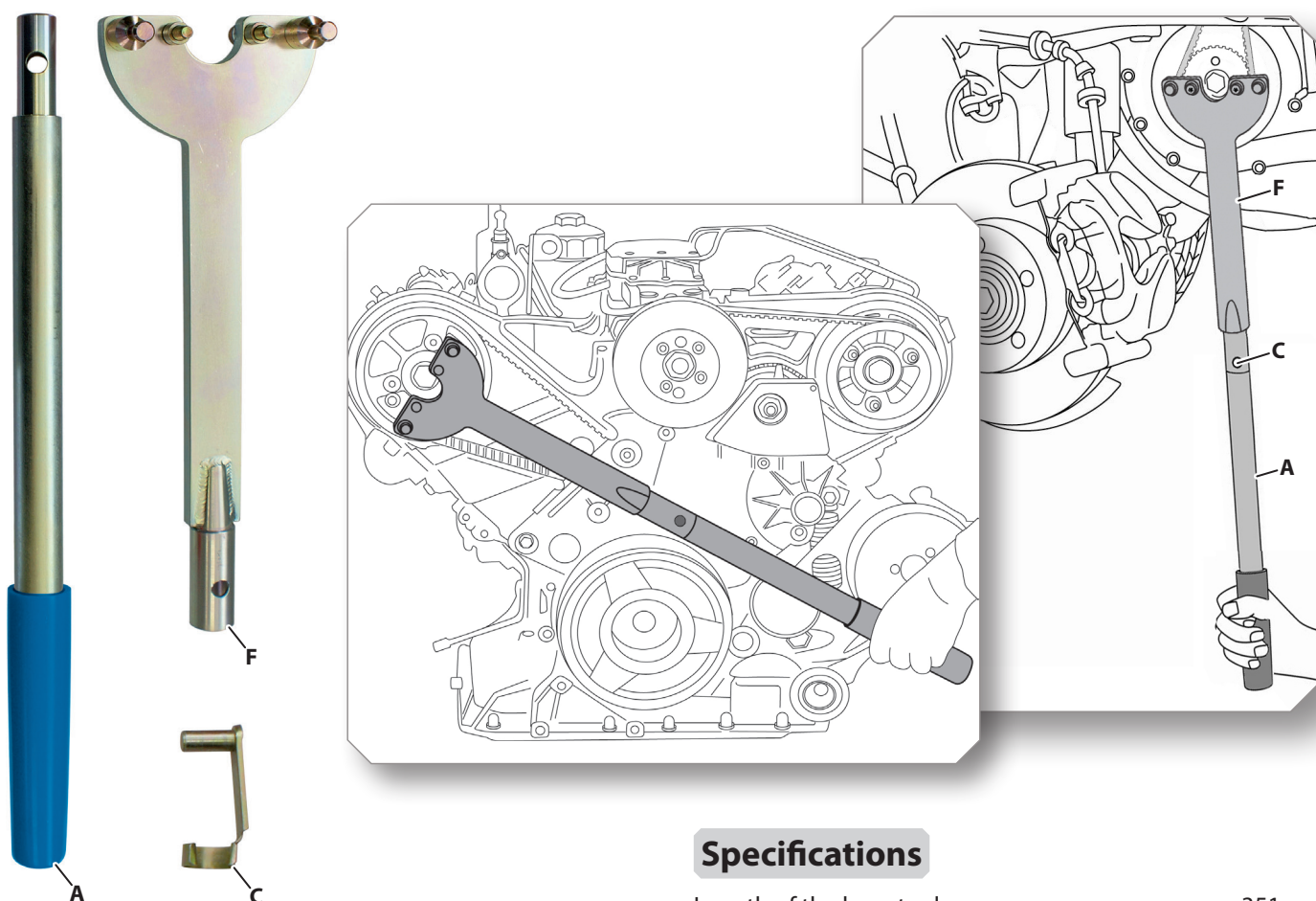
This tool is designed to counter-hold pulleys, timing belt sprockets etc.

It is required when loosening/tightening the fastening screw.

The locking takes place either via the pins (Ø 11.5mm) which engage the holes of the pulleys/timing belt sprockets, or by fixing the counter-holding tool to the crankshaft timing belt sprocket by means of the M8 bolts.

Thanks to its special length of **704mm**, this tool allows even very tight-fitting or stubborn fastening screws to be loosened with ease.

EN



### Specifications

Length of the base tool:	351mm
Overall length (of the assembled tool):	704mm
Pin Ø:	11.5mm
Pin pitch:	99.5mm
Pin height	31.5mm
Bolt thread:	M8
Bolt pitch:	45.5mm
Bolt height:	18mm

### Scope of delivery/single part overview

Pos.	Part no.	Description	Qty.
-	KL-0184-022	Counterholding spanner with bolts	1
A	KL-0184-0101	Handle	1
C	KL-0184-0103	Folding spring bolt	2
F	KL-0184-0220	Base tool with bolts	1



## GEDORE-Werkzeugfabrik GmbH & Co. KG

Remscheider Straße 149  
42899 - Remscheid  
Postfach 120361  
47873 Remscheid  
GERMANY

### Vertrieb DEUTSCHLAND

☎ +49 (0) 2191 / 596-0  
☎ +49 (0) 2191 / 596-230  
✉ info@gedore.com  
🌐 www.gedore.com

### Sales INTERNATIONAL

☎ +49 (0) 2191 / 596-910  
☎ +49 (0) 2191 / 596-911  
✉ info@gedore.com  
🌐 www.gedore.com

## GEDORE TOOLS, INC.

Only for USA, Canada & Mexico  
Sólo para EE.UU., Canadá y México  
Seulement pour les USA, le Canada et le Mexique  
7187 Bryhawke Circle, Suite 700, North Charleston, SC 29418, USA

☎ +1-843 / 225 50 15  
☎ +1-843 / 225 50 20  
✉ info@gedoretools.com  
🌐 www.gedoretools.com

Worldwide GEDORE service centers and offices are listed on the Internet at: [www.gedore.com](http://www.gedore.com)

## GEDORE Automotive GmbH

Breslauer Straße 41  
78166 - Donaueschingen  
Postfach 1329  
78154 Donaueschingen  
GERMANY

### Vertrieb DEUTSCHLAND

☎ +49 (0) 771 / 8 32 23-0  
☎ +49 (0) 771 / 8 32 23-90  
✉ info.gam@gedore.com  
🌐 gedore-automotive.com



[www.gedore-automotive.com](http://www.gedore-automotive.com)