

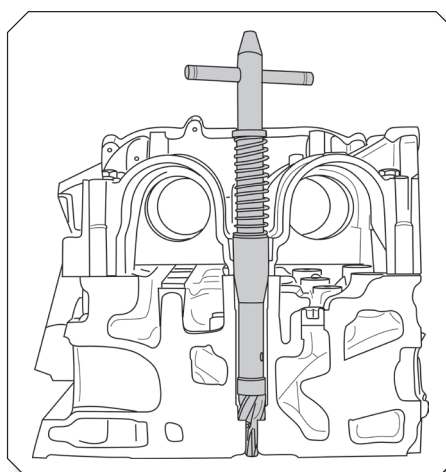


KL-0186-53 K / -50 B

Cleaning Tool for Injector Seat



Product information EN
⚠ Read and understand before use!



www.gedore-automotive.com

GEDORE Automotive GmbH

Breslauer Straße 41
78166 - Donaueschingen
Postfach 1329
78154 Donaueschingen - GERMANY

☎ +49 (0) 771 / 8 32 23-0
☎ +49 (0) 771 / 8 32 23-90
✉ info.gam@gedore.com
🌐 gedore-automotive.com

GEDORE TOOLS, INC.

Only for USA, Canada & Mexico / Sólo para EE.UU., Canadá y México
Seulement pour les USA, le Canada et le Mexique
7187 Bryhawke Circle, Suite 700
North Charleston, SC 29418, USA

☎ +1-843 / 225 50 15
☎ +1-843 / 225 50 20
✉ info@gedoretools.com
🌐 gedore.com

Version 08/2023

KL-0186-53K_50B (EN230606).indd

PRODUCT DESCRIPTION

KL-0186-5.. Cleaning tool series

KL-0186-53 K - Cleaning tool kit for injector seat in case

Fits universally on all diesel engines with a flat or conical/114° injector seal seat diameter of 17 mm. Installed in, for example, VW-Audi, Seat, Škoda, Citroën, BMW, Ford, Landrover, Mazda, Mercedes, Opel, Peugeot, Renault, Toyota, Volvo.

For a quick and professional cleaning of the injector seat. Required, for example, before reinstallation of the injector to prevent leakage between cylinder head and injector.

The special reamer head allows gentle cleaning of the injector seal seat, and the spring-loaded centring cone ensures precise handling of the cleaning tool in the injector bore.

Recommended accessories

KL-0186-5112 - Reamer head Ø 7.3 / Ø 17 / conical 128°



KL-0186-50 B - Cleaning tool for injector seat

Fits universally on all diesel engines with a flat injector seal seat diameter of 17mm. Installed in, for example, VW-Audi, Seat, Škoda, Citroën, BMW, Ford, Landrover, Mazda, Mercedes, Opel, Peugeot, Renault, Toyota, Volvo.

For a quick and professional cleaning of the injector seat. Required, for example, before reinstallation of the injector to prevent leakage between cylinder head and injector.

The special reamer head allows gentle cleaning of the injector seal seat, and the spring-loaded centring cone ensures precise handling of the cleaning tool in the injector bore.

Recommended accessories

KL-0186-5112 - Reamer head Ø 7.3 / Ø 17 / conical 128°

KL-0186-5202 - Reamer head Ø 7.3 / Ø 17 / conical 114°



KL-0186-5202 - Reamer head Ø 7.3 / Ø 17 / conical 114°

Specially suitable for VW-Audi, Seat, and Skoda 2.0 TDI pump nozzle engines with a conical/114° injector seal seat diameter of 17mm.

In combination with the **KL-0186-50 B** cleaning tool for a quick and professional cleaning of the injector seal seat.



EN

KL-0186-5112 - Reamer head Ø 7.3 / Ø 17 / conical 128°

Specially suitable for Fiat 2.3 JTD, 2.8 JTD, and 3.0 JTD diesel engines with a conical/128° injector seal seat diameter of 17mm.

In combination with the **KL-0186-50 B** cleaning tool for a quick and professional cleaning of the injector seal seat.

**⚠ SAFETY INSTRUCTIONS AND REGULATIONS**

- ✔ Read and understand this product information **before** using the special tool. This serves to familiarise you with the special tool for **safe use!**
- ✔ Use the special tool **as intended** and **always** carry out maintenance and repair work in compliance with the regulations on occupational safety and accident prevention as well as the vehicle manufacturer's instructions!
- ✔ **Before each use**, check the special tool **carefully** for damage, loose parts, or unauthorised modifications. **Never** use it, if you notice any such deficiencies!
- ✔ **Before each use**, check the movable parts and thread of the special tool for dirt. If necessary, clean and grease them **exclusively** with molybdenum disulfide paste, e.g. **KL-0014-0030!**
- ✔ **Always** wear your personal protective equipment, e.g. safety goggles, protective gloves, safety shoes, if necessary!
- ✔ Interrupt your work **immediately** if you are unsure about using the special tool, and contact **GEDORE Automotive GmbH** if necessary!
- ✔ Dispose of the special tool and its packaging material in an environmentally compatible way in accordance with the legal requirements. If necessary, ask your local authorities or **GEDORE Automotive GmbH** about environmentally friendly disposal options!

Scope of supply / Single part overview

① The table shows all components of the **KL-0186-5.. Cleaning tool series**.
Prior to using the cleaning tool, check to ensure that all the parts included in the scope of delivery are available.

Cleaning tool kits	
KL-0186-50 B	KL-0186-53 K

Cleaning tool spare parts...	Item	KL-0186-50 B	KL-0186-53 K
KL-0041-5001 - Basic tool	A	•	•
KL-0186-5001 B - Holder	-		
KL-0186-5003 - Centring sleeve	-		
KL-0186-5004 - Washer	-		
KL-0186-5005- Pressure spring 1.25 x 20.25 x 143mm	-		
KL-0186-5006- Retaining ring, size (waf) 16mm	-		
KL-0369-2004 - T handle	-		
KL-0369-2005 - Resilient thrust piece M6 x 2mm	-		
KL-1383-1043 - Grub screw M5 x 4mm	-		
KL-0186-5002 B - Reamer head (flat)	B1	•	•
KL-0186-5202 - Reamer head (conical 114°)	B2	(Accessories)	•
KL-0186-5112 - Reamer head (conical 128°)	B3	(Accessories)	(Accessories)
Storage systems...			
KL-1383-1329 - Plastic case			•

2.3 Specifications

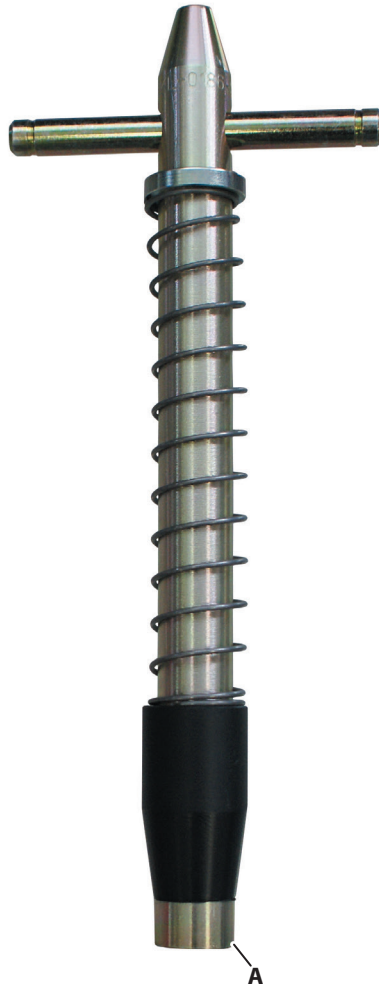
Drive: T handle

Reamer head - KL-0186-5002 B: d = Ø 7.3mm / D = Ø 17mm / W = flat

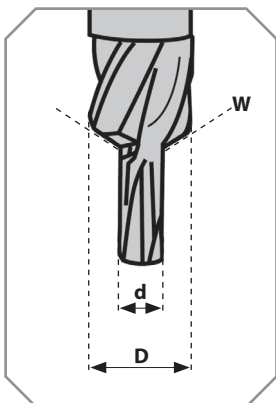
Reamer head - KL-0186-5202: d = Ø 7.3mm / D = Ø 17mm / W = conical 114°

Reamer head - KL-0186-5112: d = Ø 7.3mm / D = Ø 17mm / W = conical 128°

Overall length cleaning tool: 238mm



EN



4. TYPICAL APPLICATION

This typical application describes the cleaning of an injector seal seat.

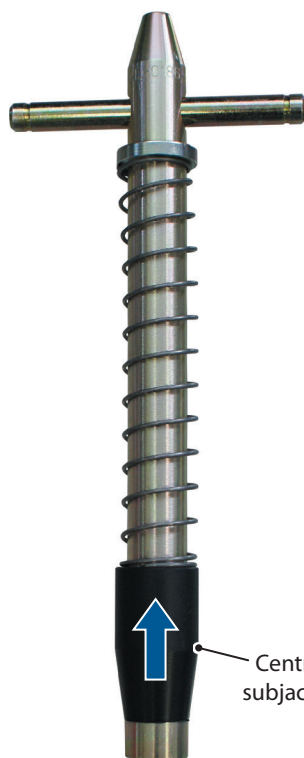
📷1: Depending on the injector, select and install the appropriate reamer head.

ATTENTION

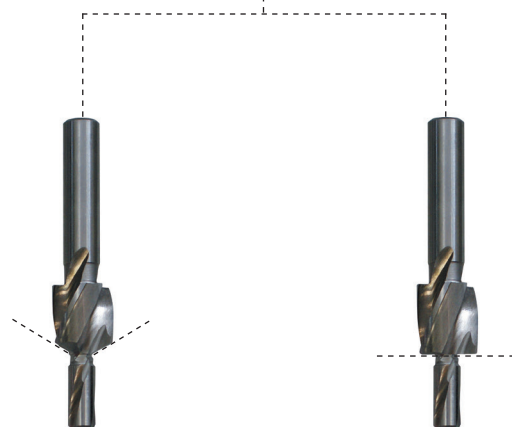
There is a risk of damaging the injector seal seat by using the wrong reamer head.

➤ To avoid any damage, the **angle (flat or conical)** as well as the **diameter** of the reamer head **must** fit the injector seal seat!

1. Select the appropriate reamer head [B..] according to the injector seal seat.



2. To change the reamer head [B..], first pull back the **centring cone** on the basic tool [A..] and use the **AF 2.5mm** hexagon socket wrench to loosen the subjacent **grub screw**.
ⓘ Subsequently tighten the grub screw with **3Nm**.



Reamer head (conical)

Reamer head (flat)

2: Coat the reamer head [B..] with methylated spirits and carry out the cleaning process on the injector seal seat.

CAUTION

The use of compressed air can cause dirt to be ejected from the injector bore and cause injuries of the eyes.

When using the cleaning tool, always make sure to wear safety goggles!

ATTENTION

Risk of damaging the injector seal seat and the cleaning tool.

The cleaning tool must only be driven by hand.

The injector bore may only be cleaned and must not be damaged by material removal!

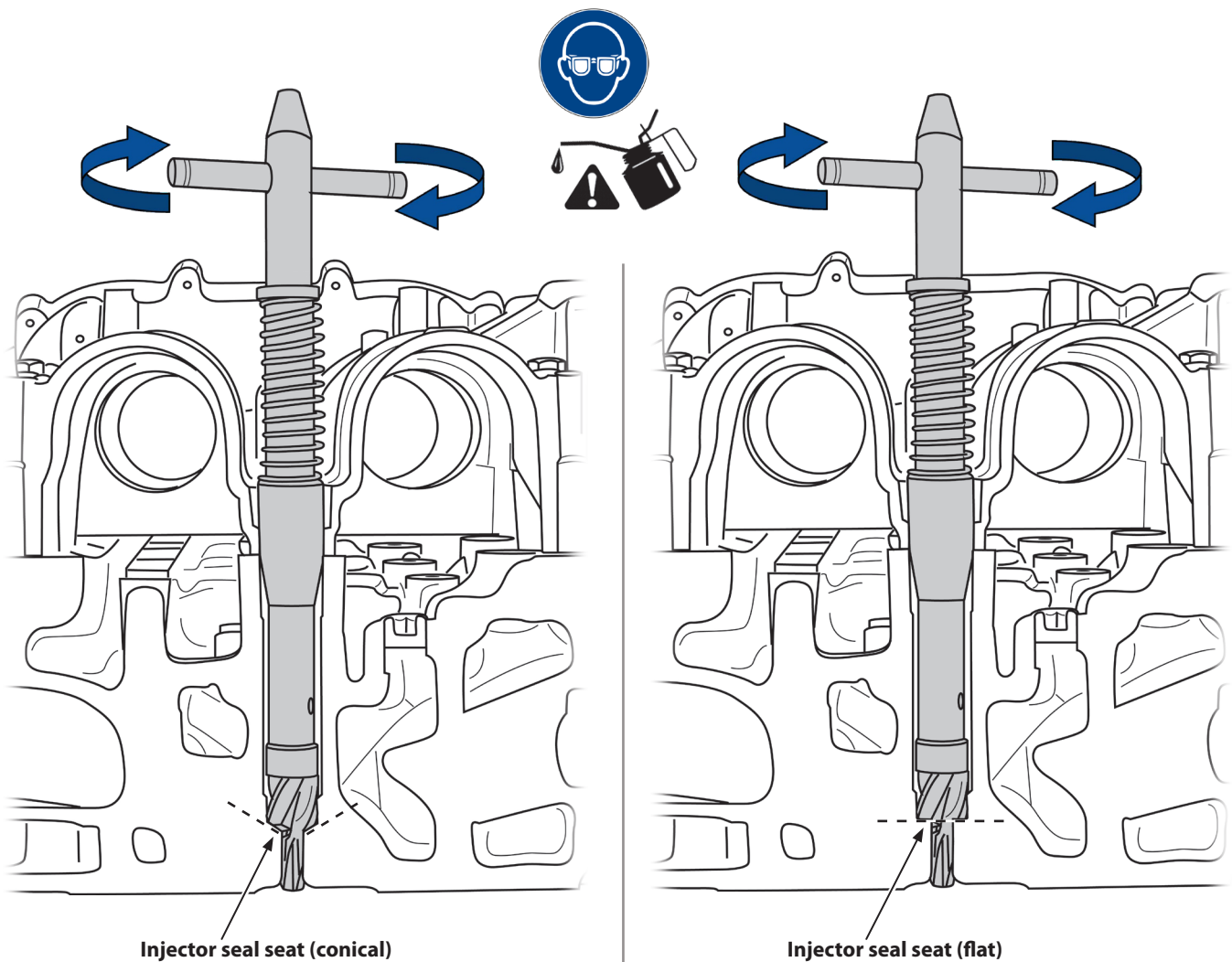
During the cleaning process, at all times only light pressure may be applied to the cleaning tool!

The cutting surfaces must be coated with methylated spirits for lubricating purposes!

3. To clean the injector bore, insert the cleaning tool and apply light pressure while steadily turning it clockwise.

To prevent dirt loosened by cleaning from entering the combustion chamber, it is beneficial to blow compressed air through the glow plug bore. This allows them to be released upwards through the injector bore.

EN



4. Remove the cleaning tool, clean the injector bore and carry out the remaining work as specified by the manufacturer.

GEDORE-Werkzeugfabrik GmbH & Co. KG

Remscheider Straße 149
42899 - Remscheid
Postfach 120361
47873 Remscheid
GERMANY

Vertrieb DEUTSCHLAND

☎ +49 (0) 2191 / 596-0
☎ +49 (0) 2191 / 596-230
✉ info@gedore.com
🌐 www.gedore.com

Sales INTERNATIONAL

☎ +49 (0) 2191 / 596-910
☎ +49 (0) 2191 / 596-911
✉ info@gedore.com
🌐 www.gedore.com

GEDORE TOOLS, INC.

Only for USA, Canada & Mexico
Sólo para EE.UU., Canadá y México
Seulement pour les USA, le Canada et le Mexique
7187 Bryhawke Circle, Suite 700, North Charleston, SC 29418, USA

☎ +1-843 / 225 50 15
☎ +1-843 / 225 50 20
✉ info@gedoretools.com
🌐 www.gedoretools.com

Worldwide GEDORE service centers and offices are listed on the Internet at: www.gedore.com

GEDORE Automotive GmbH

Breslauer Straße 41
78166 - Donaueschingen
Postfach 1329
78154 Donaueschingen
GERMANY

Vertrieb DEUTSCHLAND

☎ +49 (0) 771 / 8 32 23-0
☎ +49 (0) 771 / 8 32 23-90
✉ info.gam@gedore.com
🌐 gedore-automotive.com



www.gedore-automotive.com