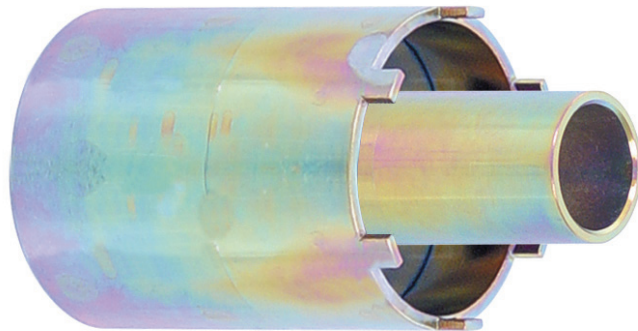
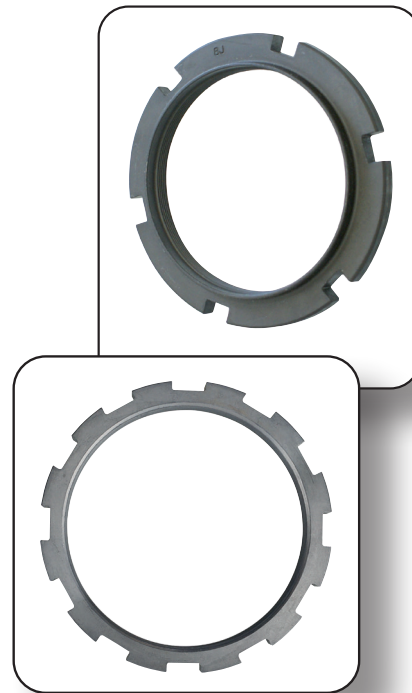
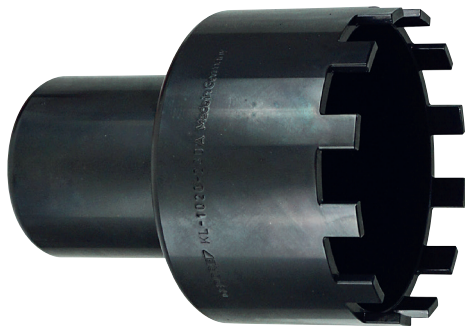




# KL-1020-.. Spindle Nut Spanner Series



**Product information** EN  
⚠ Read and understand before use!



[www.gedore-automotive.com](http://www.gedore-automotive.com)



**GEDORE Automotive GmbH**

Breslauer Straße 41  
78166 - Donaueschingen  
Postfach 1329  
78154 Donaueschingen - GERMANY

☎ +49 (0) 771 / 8 32 23-0  
☎ +49 (0) 771 / 8 32 23-90  
✉ info.gam@gedore.com  
🌐 gedore-automotive.com

**GEDORE TOOLS, INC.**

Only for USA, Canada & Mexico / Sólo para EE.UU., Canadá y México  
Seulement pour les USA, le Canada et le Mexique  
7187 Bryhawke Circle, Suite 700  
North Charleston, SC 29418, USA

☎ +1-843 / 225 50 15  
☎ +1-843 / 225 50 20  
✉ info@gedoretools.com  
🌐 gedore.com

Version 7 - 07/2023

KL-1020-..Serie (EN230716).indd

**Product description**

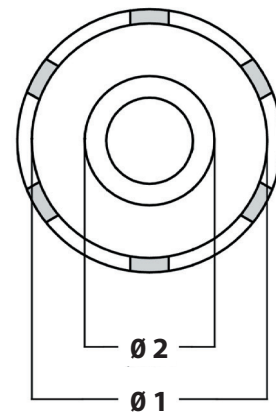
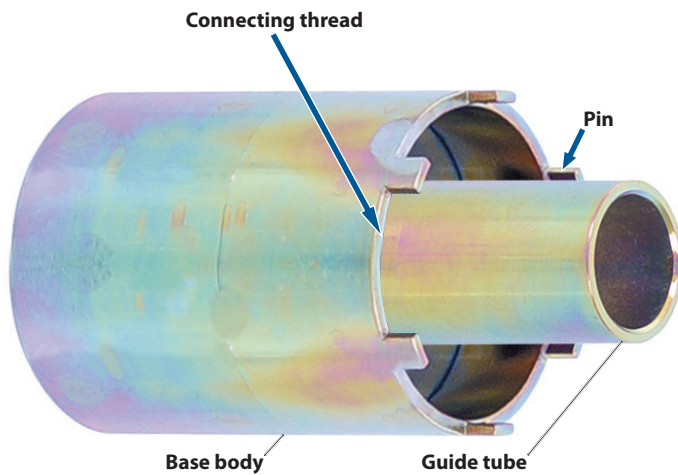
**KL-1020-.. - Spindle nut spanner series**

For loosening and tightening locknuts, for example on axles and gearbox or differential flanges.

**❗ The spindle nut spanner series modular system:**

The individual base bodies and guide tubes of the spindle nut spanners can be combined with each other in any way, depending on the connecting thread.

**📷 1: KL-1020-.. Spindle nut spanner series**



EN



**KL-1020-230 A - Spindle nut spanner**

Fits Mercedes commercial vehicles with locknut A9423560026 / A9423560126. For example, installed on Actros, Arocs, Atego, Axor outer planetary axles with drum brake; on outer planetary rear axles (European axles) 10 t + 13 t: HL7/1, HL7/2, HL7/18, HO7/8, HO7/9, HL7/0, HL7/015, HL7/021, HL7/3, HD7/2, HD7/19DG, HD7/016DG; 7 t outer planetary front axles: AL7/1 and trailing axles NR7/4.

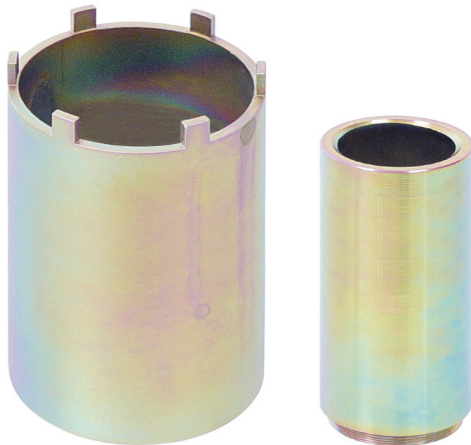
**Alternative tools:** W305589010700

**Specifications:** 📷 1+9

Part no.	Designation	Diam. 1	Diam. 2	Length	Pin	
					Number	Width
KL-1020-230 A	Base body	102mm	-	140mm	12 pcs	11.4mm

❗ No connection thread for guide tube (modular system)!

📷3: KL-1020-38



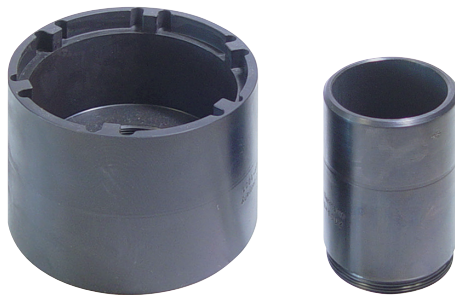
**KL-1020-38 - Spindle nut spanner**

Suitable for Mercedes vehicles with locknut A 946 356 02 26, for example ACTROS rear axles HL/ HL8.

Scope of delivery / specifications: 📷1+17

Part no.	Designation	Diam. 1	Diam. 2	Length	Pin	
					Number	Width
KL-1020-380	Base body	117mm	-	180mm	6 pcs	9.8mm
KL-1020-3911	Guide tube	-	60mm	195mm		

📷4: KL-1020-40



**KL-1020-40 - Spindle nut spanner**

Fits Mercedes and MAN, for example, and Mercedes Atego, Transporter and bus with groove nut (A 976 356 00 26). Without guide tube suitable e.g. for MAN bus (type A, J, P, R) and truck (type H, L, M, N and 1) with groove nut (81.90620-0086).

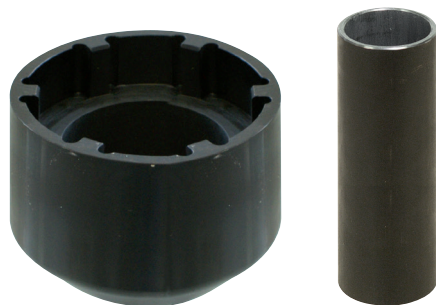
Scope of delivery / specifications: 📷1+18

Part no.	Designation	Diam. 1	Diam. 2	Length	Pin	
					Number	Width
KL-1020-400	Base body	91mm	-	98mm	6 pcs	7.5mm
KL-1020-3905	Guide tube	-	58mm	110mm		

Connecting thread:.....M56 x 1.5

Drive:.....

📷5: KL-1020-41 A



**KL-1020-41 A - Spindle nut spanner**


Suitable for MAN vehicles with groove nut 81.90620-0092., for example TGA rear axle HY 1350.

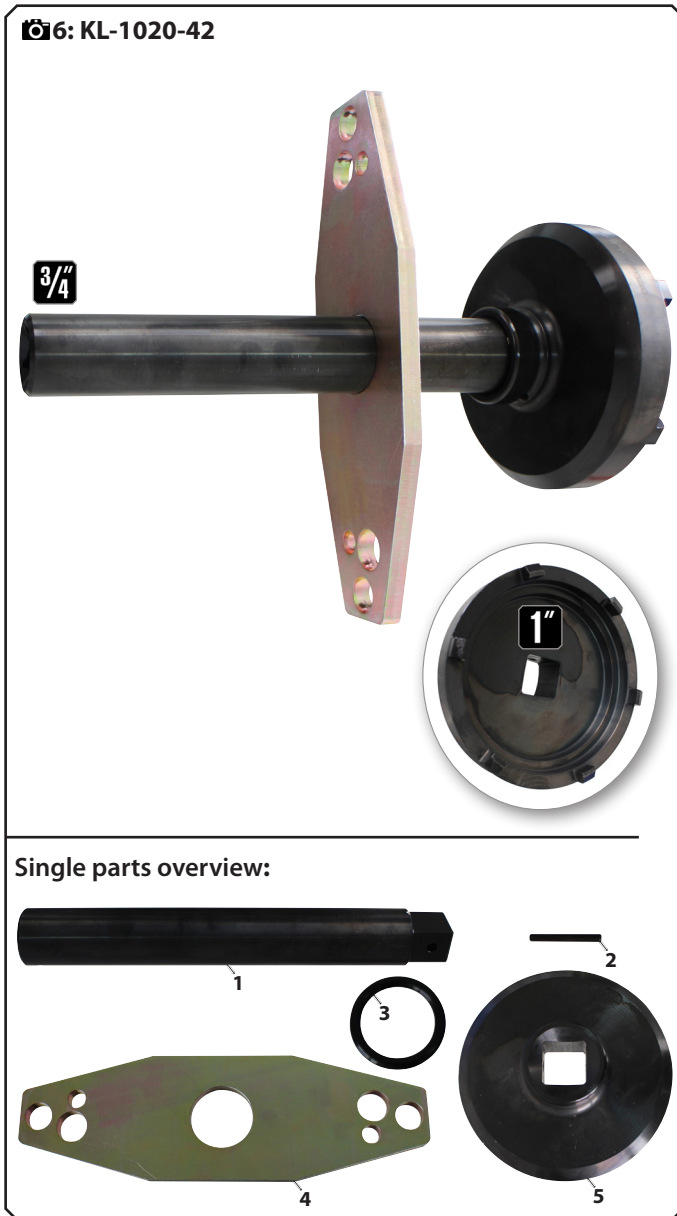
Alternative tools: 80.99603-6008

Scope of delivery / specifications: 📷1+19

Part no.	Designation	Diam. 1	Diam. 2	Length	Pin	
					Number	Width
KL-1020-410 A	Base body	117mm	-	111mm	6 pcs	11.6mm
KL-1020-3913	Guide tube	-	66.5mm	175mm		

Connecting thread:.....M56 x 1.5

Drive:.....



## KL-1020-42 - Spindle nut spanner

Suitable for ZF axles (125mm dia. / 139mm dia.), for example Mercedes vehicles with the locknut A0009903260.

Alternative tools: 5870401146, W400589010700

Scope of delivery / specifications: 1+21

Item	Part no.	Description	Qty
1	KL-1020-4202	Extension, 38 dia., 3/4"-1"	1
2	KB 2175 (code 6657700)	Locking pin	1
3	KB 2170 (code 6657620)	Circlip	1
4	KL-1020-4203	Guide plate	1
5	KL-1020-4201	Turning part with pins (base body)	1

Part no.	Designation	Diam. 1	Diam. 2	Length	Pin	
					Number	Width
KL-1020-4201	Base body	122.5mm	-	60mm	6 pcs	10.5mm

No connection thread for guide tube (modular system)!

Drive:..... or

## SAFETY INSTRUCTIONS AND REGULATIONS

- Read and understand this product information **before using** the special tool, as it serves to familiarise you with the special tool and thus ensures **safe use**!
- Use the special tool **as intended** and **always** carry out maintenance and repair work in compliance with the regulations on occupational safety and accident prevention as well as the vehicle manufacturer's instructions!
- Before each use**, check the special tool **carefully** for damage, loose parts, or unauthorised modifications. **Never** use it if you notice any such deficiencies!
- Before each use**, check the moving parts on the **special tool** for dirt, if necessary clean and lubricate it **exclusively** with molybdenum disulphide paste, for example **KL-0014-0030**!
- Always** wear your personal protective equipment, e.g. safety goggles, protective gloves, safety shoes, if necessary!
- Interrupt your work **immediately** if you are unsure about using the special tool, and contact **GEDORE Automotive GmbH** if necessary!
- Dispose of the special tool and its packaging material in an environmentally compatible way in accordance with the legal requirements. If necessary, ask your local authorities or **GEDORE Automotive GmbH** about environmentally friendly disposal options!