

GEDORE

TOOLS FOR LIFE

Wheel Bearing Centring Sleeves



KL-1027-..Series



KL-1027-..Serie (EN231125).docx

GEDORE Automotive GmbH

Breslauer Straße 41
78166 Donaueschingen

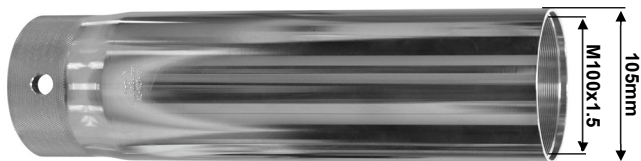
Postfach 1329
78154 Donaueschingen - GERMANY

Phone: +49 (0) 771 / 8 32 23-0
Fax: +49 (0) 771 / 8 32 23-90

Email: info@gedore-automotive.com
Internet: www.gedore-automotive.com

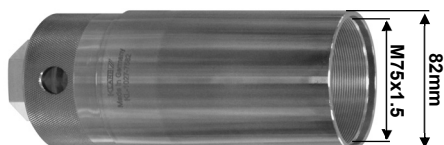
KL-1027-100

MAN



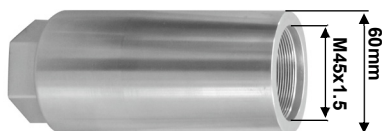
KL-1027-7582

MAN



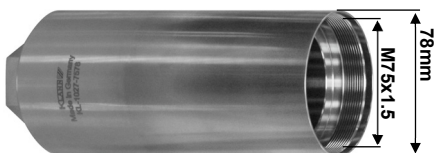
KL-1027-4560

Mercedes

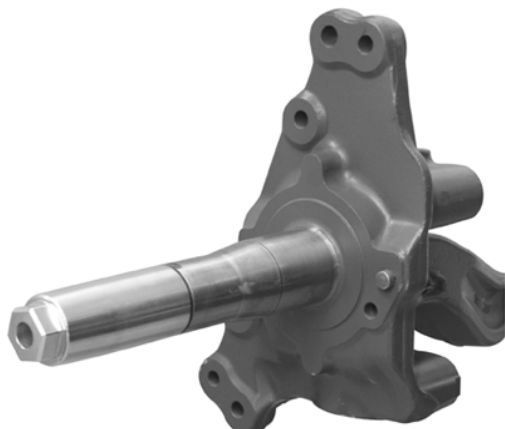


KL-1027-7578

Mercedes



Example of use:



KL-1027-..Series Wheel Bearing Centring Sleeves

Field of Application

Designed for the professional installation of compact wheel bearings with wheel hub. Allows the user to slide the bearing on the axle tube - accurately and without any risk of jamming.

KL-1027-100 Wheel Bearing Centring Sleeve, Ø 105mm

Applicable to MAN HY 1350 rear axles, e.g. at TGA, TGX etc.

Technical Data

Connection thread: M100x1.5
Outer Ø: 105mm
Length: 360mm

KL-1027-7582 Wheel Bearing Centring Sleeve, Ø 82mm

Applicable to MAN rear axle HY-0925-00, e.g. at TGL, TGM.

Technical Data

Connection thread: M75x1.5
Outer Ø: 82mm
Length: 197mm
Size (waf): 41mm

KL-1027-4560 Wheel Bearing Centring Sleeve, Ø 60mm

Applicable to the Mercedes front axle 730.714 F, 730.715 F, 730.719 F, 730.720 S, 730.026, 730.027, 730.028, e.g. on Atego etc.

Technical Data

Connection thread: M45x1.5
Outer Ø: 60mm
Length: 145mm
Size (waf): 41mm

KL-1027-4582

SAF

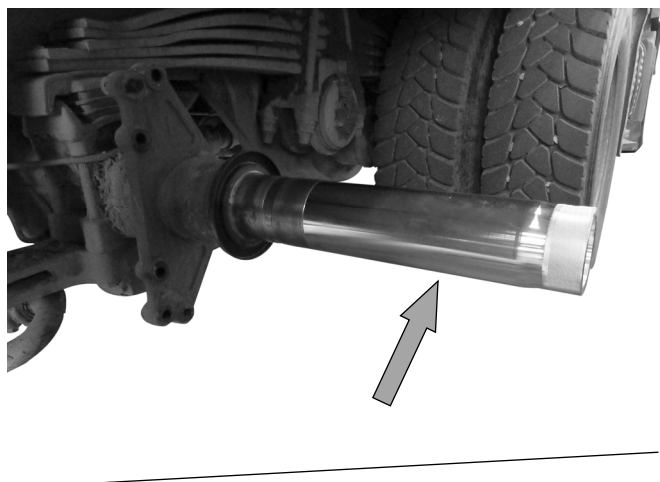


KL-1027-4588

SAF



Example of Use:



KL-1027-4582 Wheel Bearing Centring Sleeve, Ø 82mm

Applicable to SAF axles both with right-hand and left-hand thread.

Technical Data

Connection thread: M72x1.5 (Right-hand and left-hand thread)
Outer Ø: 82mm
Length: 150mm

KL-1027-4588 Wheel Bearing Centring Sleeve, Ø 88mm

Applicable to SAF axles both with right-hand and left-hand thread.

Technical Data

Connection thread: M75x1.5 (Right-hand and left-hand thread)
Outer Ø: 88mm
Length: 150mm

Warnings and Notes

- Any work on vehicles should only be performed by qualified specialist personnel observing and complying with the directions, provisions, and safety regulations specified by the vehicle manufacturer!
- Always refer to the vehicle manufacturer's data and instructions as only these apply to all work that is carried out on the vehicle.
- All vehicle-specific data stated herein are supplied under reserve and without commitment.

GEDORE Automotive GmbH

Breslauer Straße 41
78166 Donaueschingen
Postfach 1329
78154 Donaueschingen - GERMANY

T +49 (0) 771 / 8 32 23-0
F +49 (0) 771 / 8 32 23-90
info.gam@gedore.com
www.gedore-automotive.com

Only for USA, Canada & Mexico
Sólo para EE.UU., Canadá y México
Seulement pour les USA,
le Canada et le Mexique

7187 Bryhawke Circle, Suite 700
North Charleston, SC 29418
USA
Phone +1-843 / 225 50 15
Fax +1-843 / 225 50 20
info@gedoretools.com

GEDORE TOOLS, INC.**GEDORE WELTWEIT
GEDORE WORLDWIDE**

Weltweite GEDORE Servicestellen / Niederlassungen
finden Sie im Internet unter: www.gedore.com

Worldwide GEDORE service centers / offices
are listed on the Internet at: www.gedore.com