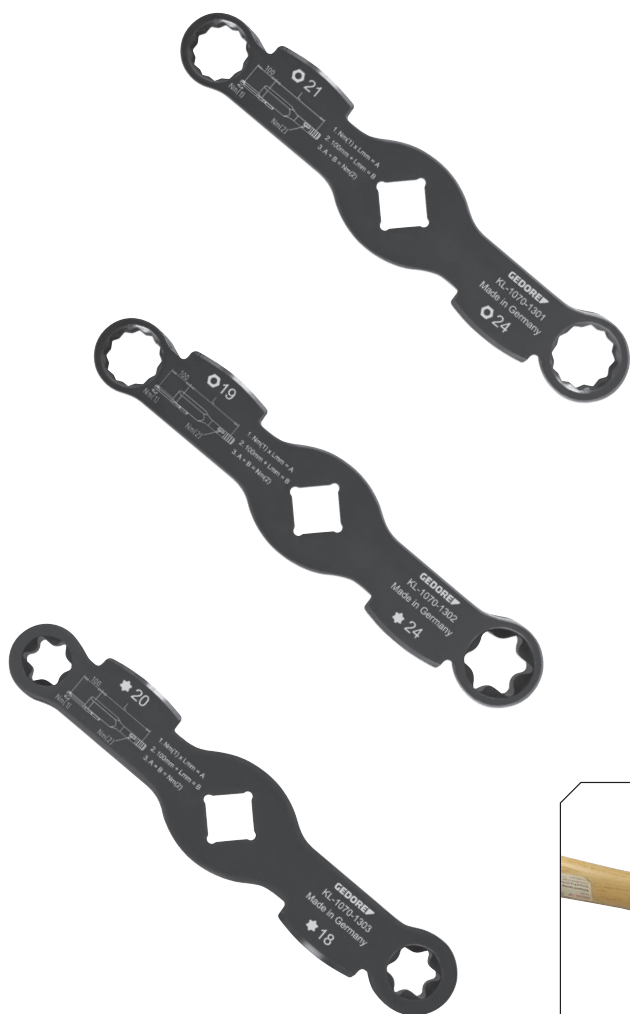




KL-1070-13 ../ Series Double Slogging Spanner



Product information EN
 Read and understand before use!



www.gedore-automotive.com



GEDORE Automotive GmbH

Breslauer Straße 41
 78166 - Donaueschingen
 Postfach 1329
 78154 Donaueschingen - GERMANY

+49 (0) 771 / 8 32 23-0
 +49 (0) 771 / 8 32 23-90
 info.gam@gedore.com
 gedore-automotive.com

GEDORE TOOLS, INC.

Only for USA, Canada & Mexico / Sólo para EE.UU., Canadá y México
 Seulement pour les USA, le Canada et le Mexique
 7187 Bryhawke Circle, Suite 700
 North Charleston, SC 29418, USA

+1-843 / 225 50 15
 +1-843 / 225 50 20
 info@gedoretools.com
 gedore.com

Version 01/2023

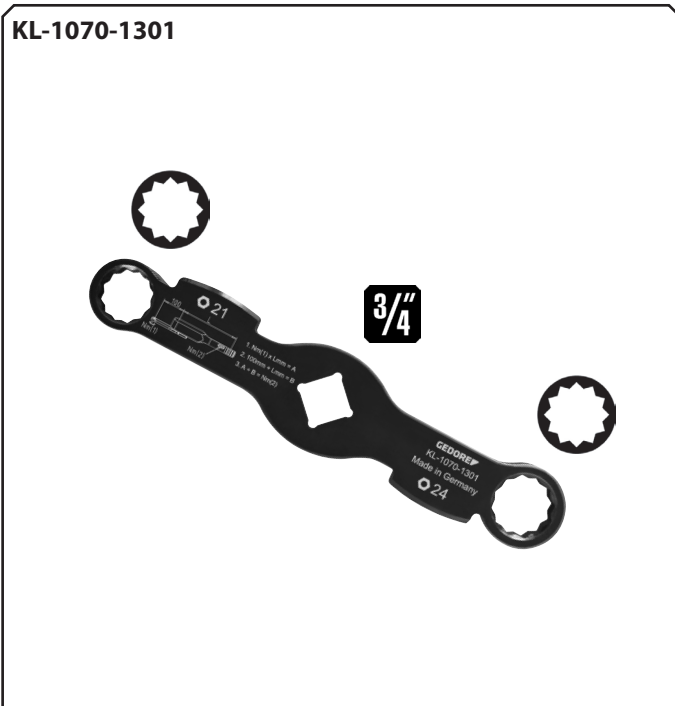
Product description

KL-1070-13.. Series - Double Slogging Spanner

The unique and sturdy impact wrench with double spanner profile is particularly suitable for easy loosening and tightening of stuck screw fittings, even in hard-to-reach places. In addition, the 3/4" square socket present on the impact wrench and, due to the extended leverage, the engraved torque conversion formula, allow the bolted connection to be tightened professionally with a torque wrench.

Recommended accessories:

- 8563-10** - Torque spanner 155-760Nm,
- 600 H-2000** - Metal worker's hammer 2,000g



KL-1070-1301 - Double slogging spanner AF21/AF24

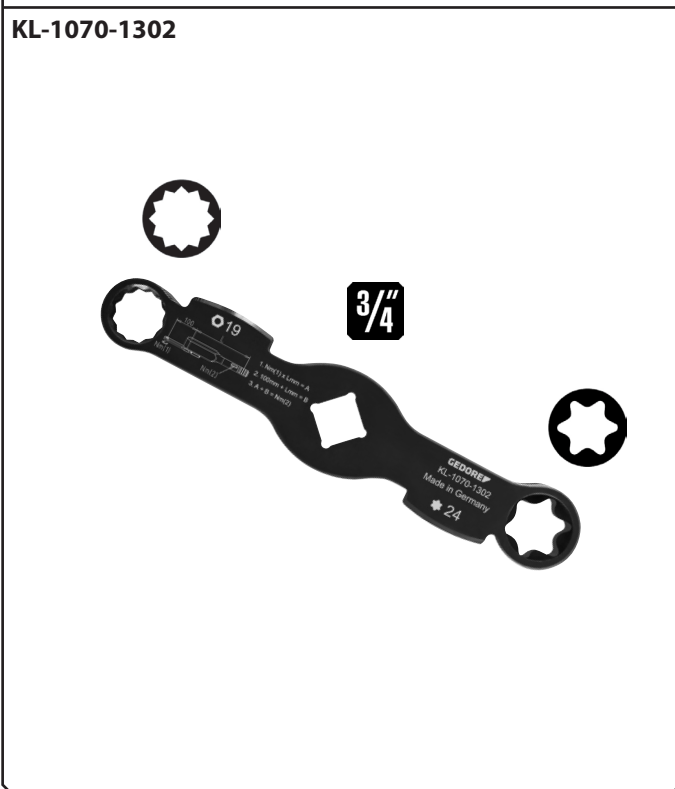
Universally applicable on hexagon and double hexagon screw fittings with AF21 and 24mm.

Particularly suitable for cardan shaft screw fittings on commercial vehicles from Mercedes-Benz, Renault, Volvo, DAF etc., for brake calliper screw fittings on BPW and SAF axle and brake screw fittings on passenger cars and vans.

| Item | Part no. | Description | Qty. |
|------|--------------|-----------------------------------|------|
| - | KL-1070-1301 | Double slogging spanner AF21/AF24 | 1 |

Specifications

Width across flats:..... AF21 + AF24
 Profile: Double hexagon socket
 Square socket:3/4"
 Length: 235mm



KL-1070-1302 - Double slogging spanner AF19/E24

Universally applicable on hexagon and double hexagon screw fittings with AF19 and E24 Torx® profiles.

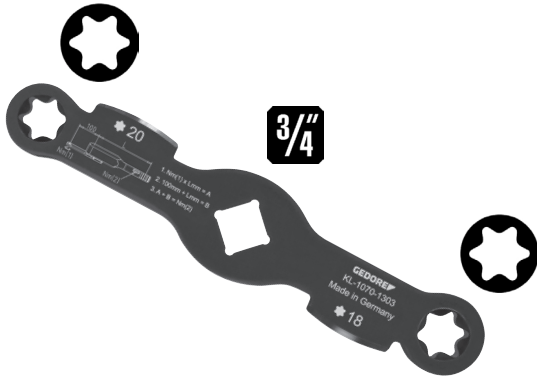
Particularly suitable for cardan shaft screw fittings on commercial vehicles from MAN, for brake calliper screw fittings with Torx® profile on front and trailing axles from MAN TGA, TGS, TGX and Mercedes-Benz Atego (BR 967) as well as for axle and brake screw fittings on passenger cars and vans.

| Item | Part no. | Description | Qty. |
|------|--------------|----------------------------------|------|
| - | KL-1070-1302 | Double slogging spanner AF19/E24 | 1 |

Specifications

Width across flats:..... AF19 + E24
 Profile: Double hexagon socket / TX
 Square socket:3/4"
 Length: 235mm

KL-1070-1303



**KL-1070-1303 - Double slogging spanner
E18/E20**

Universally applicable on screw fittings with E18 and E20 Torx® profiles.

Particularly suitable for brake calliper screw fittings with Torx® profile, on front and trailing axles on MAN TGL and TGM.

| Item | Part no. | Description | Qty. |
|------|--------------|---------------------------------|------|
| - | KL-1070-1303 | Double slogging spanner E18/E20 | 1 |

Specifications

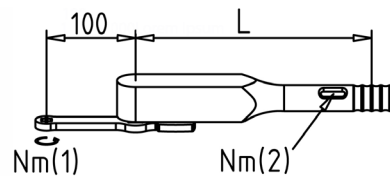
Width across flats:..... E18 + E20
 Profile: TX
 Square socket:3/4"
 Length: 235mm

EN

Torque conversion formula

CAUTION

When tightening a screw connection with the impact wrench, **it is essential** to recalculate the required torque using the torque conversion formula due to the extended leverage:



1. $Nm(1) \times Lmm = A$
2. $100mm + Lmm = B$
3. $A + B = Nm(2)$

Typical application:



⚠ Safety instructions and regulations

- ✔ **Before using the special tools**, read and understand all safety instructions and **follow them for safe use!**
- ✔ Use the special tools **as intended**, and always perform maintenance tasks and repairs in compliance with the regulations on occupational safety and accident prevention and with the instructions by the vehicle manufacturer!
- ✔ **Prior to each use**, check the special tools **carefully** for damage, loose parts or unauthorised modifications. **Never** use it if you notice any such deficiencies!
- ✔ **Always** wear your personal protective equipment (for example safety goggles, protective gloves, safety shoes) when working!

GEDORE-Werkzeugfabrik GmbH & Co. KG

Remscheider Straße 149
42899 - Remscheid
Postfach 120361
47873 Remscheid
GERMANY

Vertrieb DEUTSCHLAND

☎ +49 (0) 2191 / 596-0
☎ +49 (0) 2191 / 596-230
✉ info@gedore.com
🌐 www.gedore.com

Sales INTERNATIONAL

☎ +49 (0) 2191 / 596-910
☎ +49 (0) 2191 / 596-911
✉ info@gedore.com
🌐 www.gedore.com

GEDORE TOOLS, INC.

Only for USA, Canada & Mexico
Sólo para EE.UU., Canadá y México
Seulement pour les USA, le Canada et le Mexique
7187 Bryhawke Circle, Suite 700, North Charleston, SC 29418, USA

☎ +1-843 / 225 50 15
☎ +1-843 / 225 50 20
✉ info@gedoretools.com
🌐 www.gedoretools.com

Worldwide GEDORE service centers and offices are listed on the Internet at: www.gedore.com

GEDORE Automotive GmbH

Breslauer Straße 41
78166 - Donaueschingen
Postfach 1329
78154 Donaueschingen
GERMANY

Vertrieb DEUTSCHLAND

☎ +49 (0) 771 / 8 32 23-0
☎ +49 (0) 771 / 8 32 23-90
✉ info.gam@gedore.com
🌐 gedore-automotive.com



www.gedore-automotive.com