

KL-4991-130

Storage Table, Universal



GEDORE Automotive GmbH

Breslauer Straße 41
78166 - Donaueschingen
Postfach 1329
78154 Donaueschingen - GERMANY
☎ +49 (0) 771 / 8 32 23-0
☎ +49 (0) 771 / 8 32 23-90
✉ info.gam@gedore.com
🌐 www.gedore-automotive.com



www.gedore-automotive.com



01/2024

KL-4991-130 (EN240106).indd

PRODUCT DESCRIPTION

KL-4991-130 - Storage table, universal

Universally applicable in everyday workshop use for maintenance and repair work.

For organised and clear storage of tools, screws and other parts, especially during daily work directly on the vehicle.

Simply practical thanks to the infinitely height-adjustable shelf, which offers a variety of compartments and integrated storage options.

The sturdy frame with four swivel castors, two of which can be locked, enables excellent manoeuvrability and ensures a secure stand at all times.

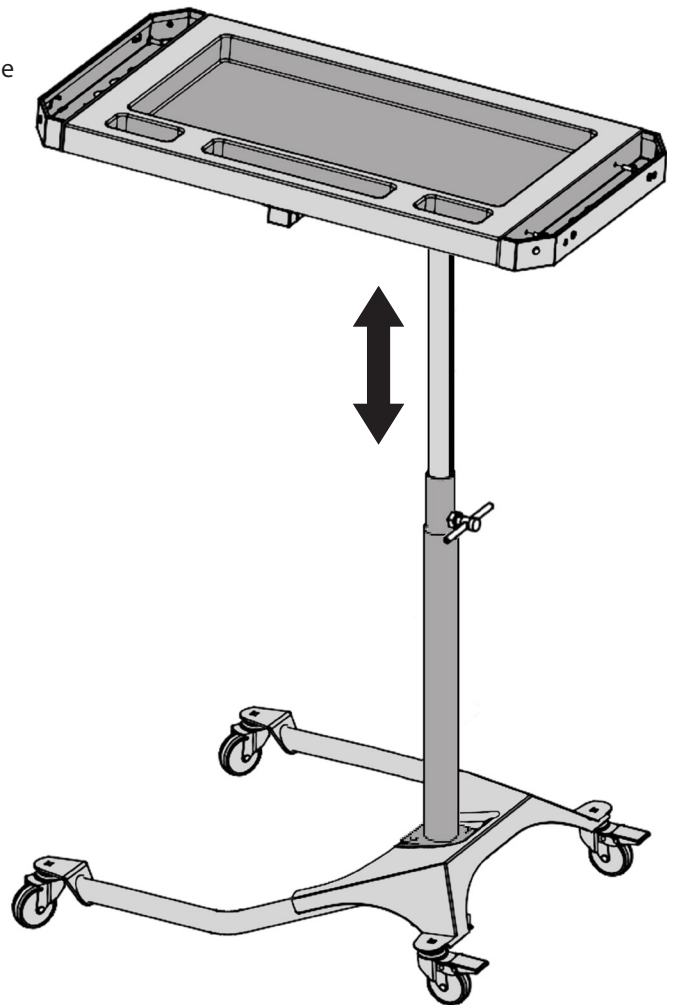
To protect the vehicle from unsightly scratches, the column on the storage table is fitted with a soft protective pad.

Scope of delivery

Part no.	Description	Qty.
KL-4991-130	Storage table, universal	1

Specifications

Maximum load:45kg / 100lbs
Height min:900mm
Max. height:1,230mm
Bores for tools:16
Storage compartments:4
Worktop dimensions: 809 x 457mm
Number of wheels:4
Swivel castor Ø (2x with brakes):75mm
Weight:21.5kg



SAFETY INSTRUCTIONS AND REGULATIONS

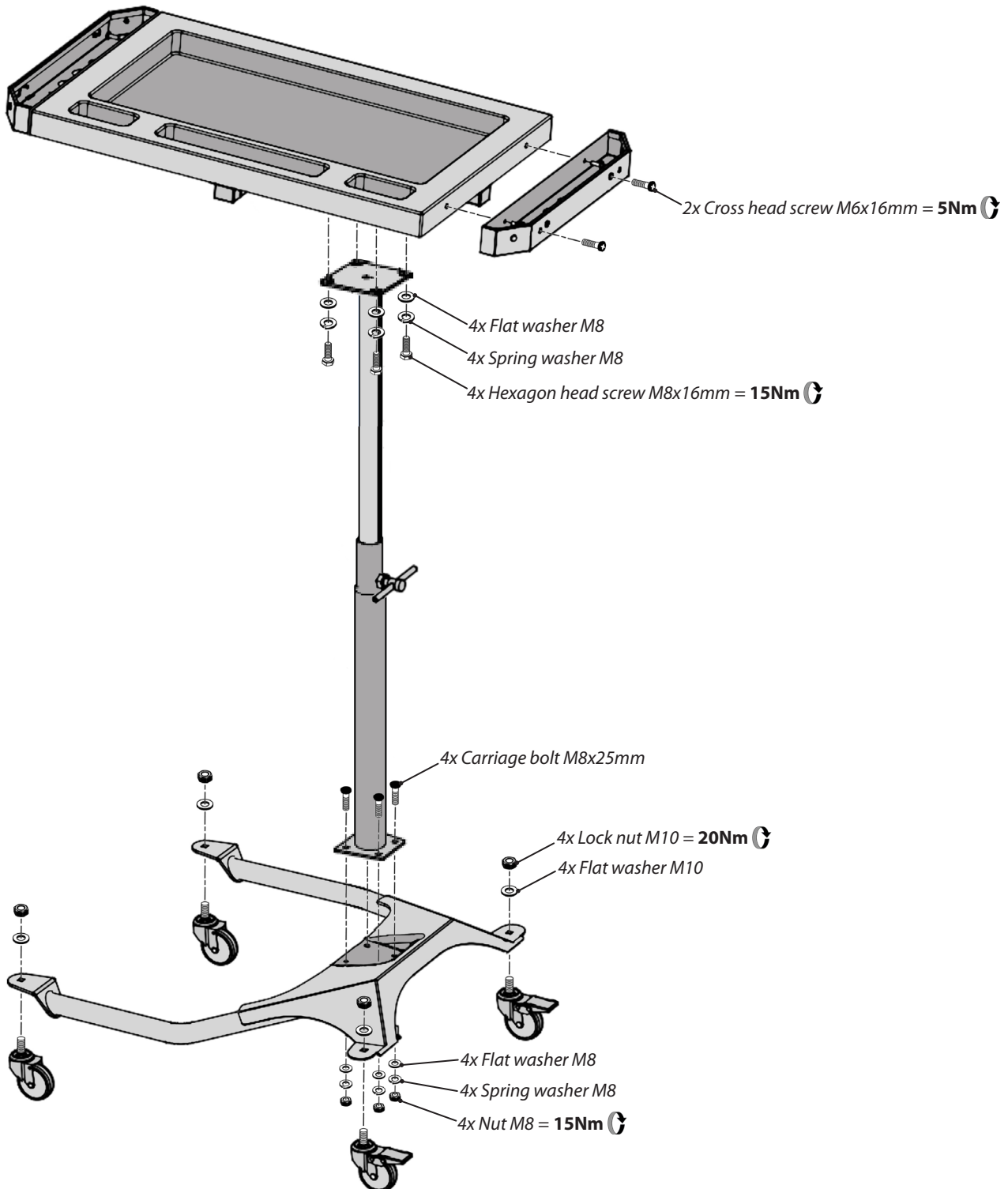
- Read and understand this product information **before** using the special tool. This serves to familiarise you with the special tool for **safe use!**
- Use the special tool **as intended** and **always** carry out maintenance and repair work in compliance with the regulations on occupational safety and accident prevention as well as the vehicle manufacturer's instructions!
- **Before each use**, check the special tool **carefully** for damage, loose parts, or unauthorised modifications. **Never** use it, if you notice any such deficiencies!
- **Always** wear your personal protective equipment, e.g. safety goggles, protective gloves, safety shoes, during work if necessary!
- Interrupt your work **immediately** if you are unsure about using the special tool, and contact **GEDORE Automotive GmbH** if necessary!
- Dispose of the special tool and its packaging material in an environmentally compatible way in accordance with the legal requirements. If necessary, ask your local authorities or **GEDORE Automotive GmbH** about environmentally friendly disposal options!

Assembly instructions

⚠ ATTENTION

The storage table can be damaged during assembly! It is therefore essential to note the different tightening torques for the individual screw connections!

Assemble the tray table - **KL-4991-130** as shown and fully tighten all screws to torque specifications. Make sure the two rollers with brakes are in the correct position.



GEDORE Automotive GmbH

Breslauer Str. 41
78166 Donaueschingen
GERMANY
Tel: +49 771 83 223 0
Fax: +49 771 83 223 90
www.gedore-automotive.com

GEDORE International:

GEDORE Torque Solutions GmbH

Bertha-Benz-Straße 12
71665 Vaihingen/Enz
GERMANY
Tel: +49 70 42 94 41 0
Fax: +49 70 42 9441 41
www.gedore-torque-solutions.com

GEDORE France SARL

Parc d'activités des Béthunes – La Mare II 10, avenue du Fief – Bâtiment 12
BP 79144 - Saint-Ouen-L'Aumône / 95074 CERGY PONTOISE CEDEX
FRANCE
Tél: +33 1 34 40 16 60
Fax: +33 1 34 40 16 61
www.gedore.fr

GEDORE Polska Sp. z.o.o.

Żwirki i Wigury 56, Mikołów
POLAND
Tel: +48 32 738 40-10
Fax: +48 32 738 40-20
www.gedore.pl

GEDORE India Pvt. Ltd.

Plot No. 148, Sector-3, IMT Manesar
Gurugram, Haryana-122051
INDIA
Tel: +91 124 4087979
sales@gedoreindia.com
www.gedore.in

GEDORE Tools South Africa (PTY) Ltd.

103 Qashana Khuzwayo Road, Durban / Kwazulu-Natal
New Germany, 3610
SOUTH AFRICA
Tel: +27 3 17 05 35 87
Fax: +27 3 17 05 47 35
www.gedore.co.za

GEDORE Tool Trading Co., Ltd. Shanghai, China

1/F, Block 2, 1358 Pingan Road
Minhang, Shanghai, China 201109
CHINA
Tel: +86 21 33 88 72-58
Fax: +86 21 33 88 72-59
www.gedore.cn

GEDORE Ibèrica S.L., Spain

c/Arangutxi 12, Poligono Industrial de Júndiz
01015 Vitoria Alava
SPAIN
Tel: +34 945 292 262
Fax: +34 945 292 199
www.gedore.es

GEDORE Headquarter:

GEDORE Werkzeugfabrik GmbH & Co. KG

Remscheider Str. 149
42899 Remscheid
GERMANY
Tel: +49 2191 596 900
Fax: +49 2191 596 999
www.gedore.com

GEDORE AUSTRIA GmbH

Gedore-Straße 1
8190 Birkfeld
AUSTRIA
Tel: +43 3174 3636 0
Fax: +43 31 74 36 38 320
www.gedore.at

GEDORE Torque UK Ltd.

Tannery Ln, Gosden Common
Guildford GU5 0AJ
UK
Tel: +44 14 83 89 27 72
Fax: +44 14 83 89 85 36
www.gedore-torque.com

GEDORE Technag BV, Netherlands

Flemingweg 7
2408 AV Alphen aan Den Rijn
NETHERLANDS
Tel: +31 1 72 42 73 50
Fax: +31 1 72 42 73 60
www.gedore.nl

Ferramentas GEDORE do Brasil S.A.

Rua Vicentina Maria Fidélis, 275 Bairro Vicentina
São Leopoldo - RS - CEP: 93025-340
BRASIL
Tel: +51 35 89 92 00
Fax: +51 35 89 92 22
www.gedore.com.br

GEDORE UK Ltd.

Marston St, Skipton
North Yorkshire BD23 1TF
UNITED KINGDOM
Tel: +44 17 56 70 67 00
Fax: +44 17 56 79 80 83
www.gedoreuk.com

GEDORE Torque Ltd., UK

Bramley
Guildford, Surrey, GU5 0AJ
UNITED KINGDOM
Tel: +44 1483 894476
www.gedore-torque.com

GEDORE Tools Inc. USA

4055 Faber PI Dr
North Charleston, SC 29405
USA
Tel: +1 843 225 5015
www.gedoretools.com