

KL-5501-500

Mobile Work Stand for Spring Compressor - KL-5501 B



GEDORE Automotive GmbH

Breslauer Straße 41
78166 - Donaueschingen
Postfach 1329
78154 Donaueschingen - GERMANY
☎ +49 (0) 771 / 8 32 23-0
☎ +49 (0) 771 / 8 32 23-90
✉ info.gam@gedore.com
🌐 www.gedore-automotive.com



www.gedore-automotive.com



12/2023

KL-5501-500 (EN231201).indd

PRODUCT DESCRIPTION

KL-5501-500 - Mobile work stand for spring compressor - KL-5501 B

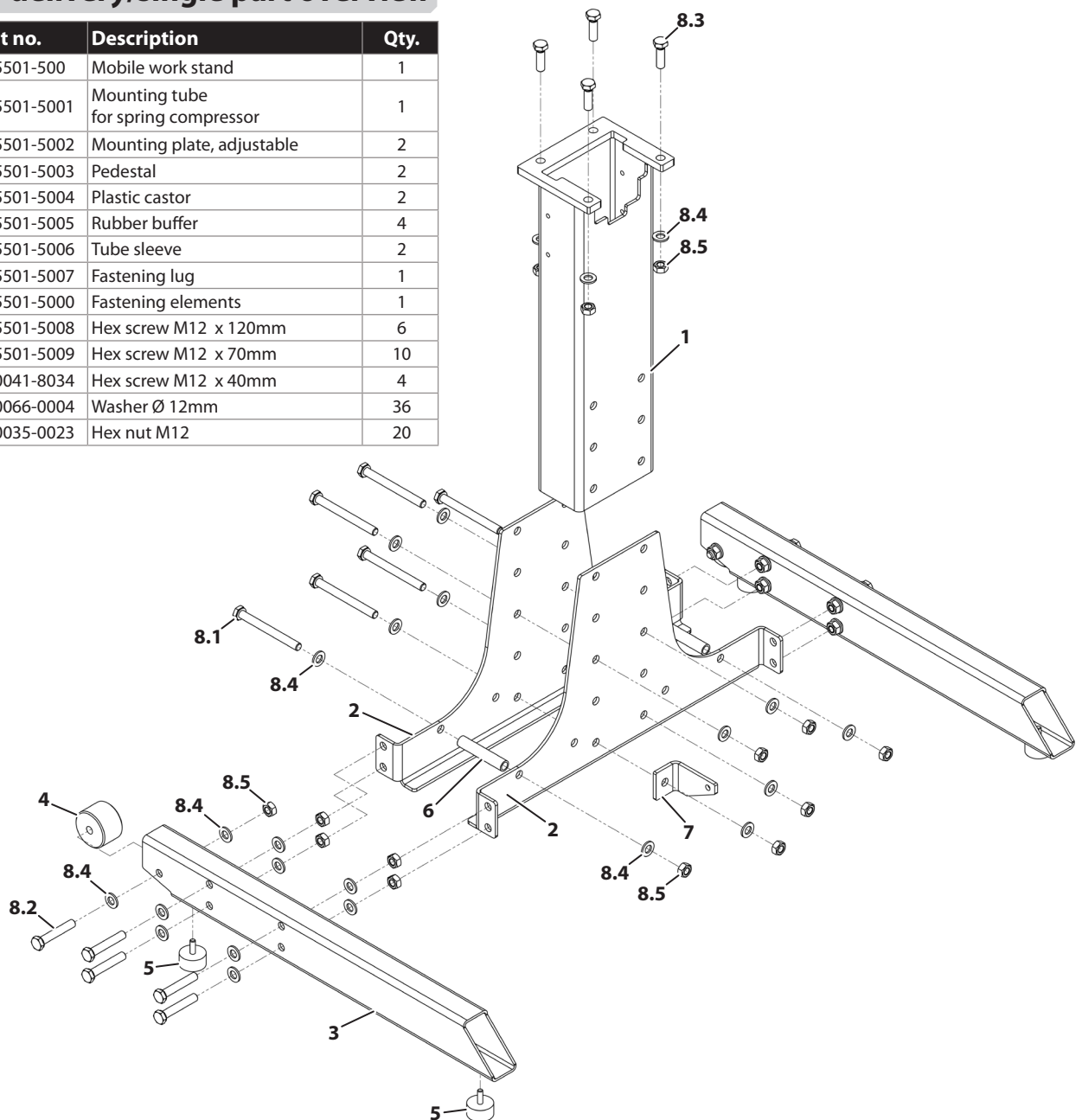
Specially designed for the stationary spring compressor - KL-5501 B. (Not for KL-5501)

Enables mobile assembly of the stationary spring compressor - KL-5501 B, for flexible and variable use in everyday workshop operations.

- Mobile work stand especially designed for the spring compressor - KL-5501 B
- Flexible choice of location thanks to castors
- Easy positioning by just one person
- Quick use of the spring compressor directly on the vehicle
- Stable and safe thanks to stable rubber feet
- Easy to stow away thanks to compact dimensions
- Ideal for effective everyday workshop work

Scope of delivery/single part overview

Item	Part no.	Description	Qty.
-	KL-5501-500	Mobile work stand	1
1	KL-5501-5001	Mounting tube for spring compressor	1
2	KL-5501-5002	Mounting plate, adjustable	2
3	KL-5501-5003	Pedestal	2
4	KL-5501-5004	Plastic castor	2
5	KL-5501-5005	Rubber buffer	4
6	KL-5501-5006	Tube sleeve	2
7	KL-5501-5007	Fastening lug	1
8	KL-5501-5000	Fastening elements	1
8.1	KL-5501-5008	Hex screw M12 x 120mm	6
8.2	KL-5501-5009	Hex screw M12 x 70mm	10
8.3	KL-0041-8034	Hex screw M12 x 40mm	4
8.4	KL-0066-0004	Washer Ø 12mm	36
8.5	KL-0035-0023	Hex nut M12	20



Assembly instructions

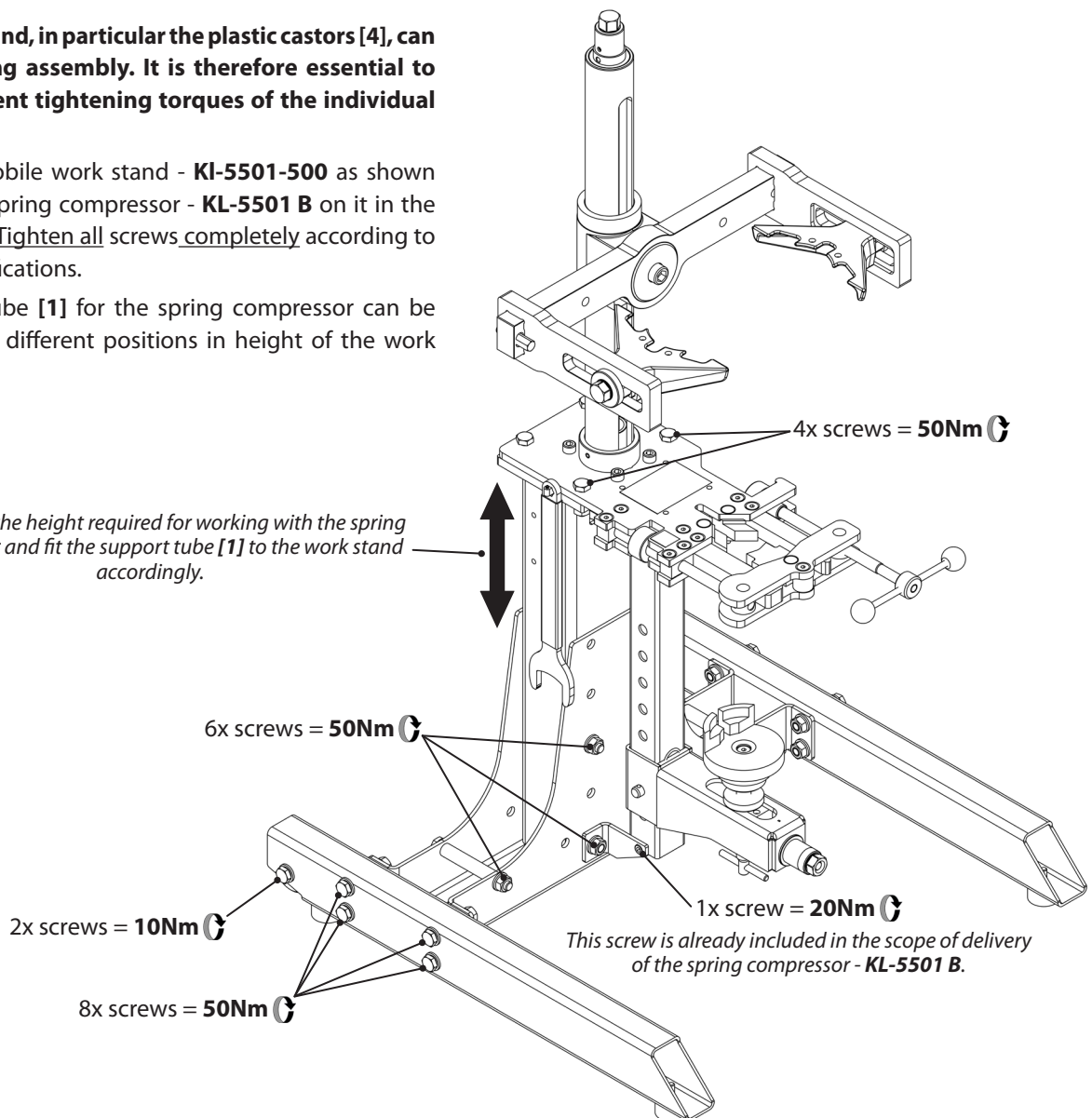
⚠ CAUTION

The mobile work stand, in particular the plastic castors [4], can be damaged during assembly. It is therefore essential to observe the different tightening torques of the individual screws!

1. Assemble the mobile work stand - **KI-5501-500** as shown and mount the spring compressor - **KL-5501 B** on it in the correct position. Tighten all screws completely according to the torque specifications.

ⓘ The mounting tube [1] for the spring compressor can be mounted in four different positions in height of the work stand.

Determine the height required for working with the spring compressor and fit the support tube [1] to the work stand accordingly.



⚠ SAFETY INSTRUCTIONS AND REGULATIONS

- ✔ Read and understand this product information **before using** the special tool, as it serves to familiarise you with the special tool and thus ensures **safe use!**
- ✔ Use the special tool **as intended** and **always** carry out maintenance and repair work in compliance with the regulations on occupational safety and accident prevention as well as the vehicle manufacturer's instructions!
- ✔ **Before each use**, check the special tool **carefully** for damage, loose parts, or unauthorised modifications. **Never** use it, if you notice any such deficiencies!
- ✔ **Always** wear your personal protective equipment, e.g. safety goggles, protective gloves, safety shoes, during work if necessary!
- ✔ Interrupt your work **immediately** if you about using the special tool, and contact **GEDORE Automotive GmbH** if necessary!
- ✔ Dispose of the special tool and its packaging material in an environmentally compatible way in accordance with the legal requirements. If necessary, ask your local authorities or **GEDORE Automotive GmbH** about environmentally friendly disposal options!

GEDORE Automotive GmbH

Breslauer Str. 41
78166 Donaueschingen
GERMANY
Tel: +49 771 83 223 0
Fax: +49 771 83 223 90
www.gedore-automotive.com

GEDORE International:

GEDORE Torque Solutions GmbH

Bertha-Benz-Straße 12
71665 Vaihingen/Enz
GERMANY
Tel: +49 70 42 94 41 0
Fax: +49 70 42 9441 41
www.gedore-torque-solutions.com

GEDORE France SARL

Parc d'activités des Béthunes – La Mare II 10, avenue du Fief – Bâtiment 12
BP 79144 - Saint-Ouen-L'Aumône / 95074 CERGY PONTOISE CEDEX
FRANCE
Tél: +33 1 34 40 16 60
Fax: +33 1 34 40 16 61
www.gedore.fr

GEDORE Polska Sp. z.o.o.

Żwirki i Wigury 56, Mikołów
POLAND
Tel: +48 32 738 40-10
Fax: +48 32 738 40-20
www.gedore.pl

GEDORE India Pvt. Ltd.

Plot No. 148, Sector-3, IMT Manesar
Gurugram, Haryana-122051
INDIA
Tel: +91 124 4087979
sales@gedoreindia.com
www.gedore.in

GEDORE Tools South Africa (PTY) Ltd.

103 Qashana Khuzwayo Road, Durban / Kwazulu-Natal
New Germany, 3610
SOUTH AFRICA
Tel: +27 3 17 05 35 87
Fax: +27 3 17 05 47 35
www.gedore.co.za

GEDORE Tool Trading Co., Ltd. Shanghai, China

1/F, Block 2, 1358 Pingan Road
Minhang, Shanghai, China 201109
CHINA
Tel: +86 21 33 88 72-58
Fax: +86 21 33 88 72-59
www.gedore.cn

GEDORE Ibèrica S.L., Spain

c/Arangutxi 12, Poligono Industrial de Júndiz
01015 Vitoria Alava
SPAIN
Tel: +34 945 292 262
Fax: +34 945 292 199
www.gedore.es

GEDORE Headquarter:

GEDORE Werkzeugfabrik GmbH & Co. KG

Remscheider Str. 149
42899 Remscheid
GERMANY
Tel: +49 2191 596 900
Fax: +49 2191 596 999
www.gedore.com

GEDORE AUSTRIA GmbH

Gedore-Straße 1
8190 Birkfeld
AUSTRIA
Tel: +43 3174 3636 0
Fax: +43 31 74 36 38 320
www.gedore.at

GEDORE Torque UK Ltd.

Tannery Ln, Gosden Common
Guildford GU5 0AJ
UK
Tel: +44 14 83 89 27 72
Fax: +44 14 83 89 85 36
www.gedore-torque.com

GEDORE Technag BV, Netherlands

Flemingweg 7
2408 AV Alphen aan Den Rijn
NETHERLANDS
Tel: +31 1 72 42 73 50
Fax: +31 1 72 42 73 60
www.gedore.nl

Ferramentas GEDORE do Brasil S.A.

Rua Vicentina Maria Fidélis, 275 Bairro Vicentina
São Leopoldo - RS - CEP: 93025-340
BRASIL
Tel: +51 35 89 92 00
Fax: +51 35 89 92 22
www.gedore.com.br

GEDORE UK Ltd.

Marston St, Skipton
North Yorkshire BD23 1TF
UNITED KINGDOM
Tel: +44 17 56 70 67 00
Fax: +44 17 56 79 80 83
www.gedoreuk.com

GEDORE Torque Ltd., UK

Bramley
Guildford, Surrey, GU5 0AJ
UNITED KINGDOM
Tel: +44 1483 894476
www.gedore-torque.com

GEDORE Tools Inc. USA

4055 Faber PI Dr
North Charleston, SC 29405
USA
Tel: +1 843 225 5015
www.gedoretools.com