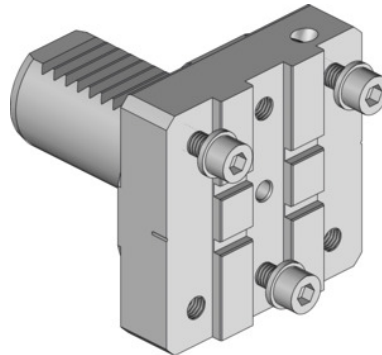


Garant
Modular toolholder, Type: VDI40

Order data

Order number	319135 VDI40
GTIN	4045197781000
Item class	31V

Description
Advantage:

Precisely adjustable tip height, permitting ideal machining results with consistent tool life. Turret misalignments can be compensated.

Suitable for :

VDI40M1 and 40M2 - MAZAK Nexus Quick-Turn 100, 150, 200, 250.

Length L: 85 mm

Width B: 85 mm

Height H: 16.5 mm

suitable for parting-off blade holder: Type 2

Technical description

Width B	85 mm
Length L	85 mm
Height H	16.5 mm
suitable for parting-off blade holder	Type 2
Type of product	Toolholder for parting-off tools

