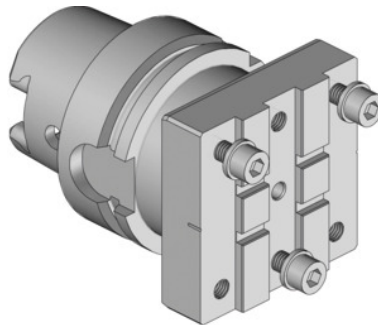


**Garant**
**Modular toolholder, Type: HSK-T63**

**Order data**

Order number	319135 HSK-T63
GTIN	4045197781017
Item class	31V

**Description**
**Advantage:**

Precisely adjustable tip height, permitting ideal machining results with consistent tool life. Turret misalignments can be compensated.

**Suitable for :**

VDI40M1 and 40M2 - MAZAK Nexus Quick-Turn 100, 150, 200, 250.

Length L: 63 mm

Width B: 63 mm

Height H: 57.5 mm

suitable for parting-off blade holder: Type 1

**Technical description**

Width B	63 mm
Length L	63 mm
Height H	57.5 mm
suitable for parting-off blade holder	Type 1
Type of product	Toolholder for parting-off tools

